



US00D651859S

(12) **United States Design Patent**
Blake

(10) **Patent No.:** **US D651,859 S**
(45) **Date of Patent:** **** Jan. 10, 2012**

(54) **THERMALLY INSULATED CONTAINER**

(76) Inventor: **Michael N. Blake**, Tampa, FL (US)

(**) Term: **14 Years**

(21) Appl. No.: **29/373,964**

(22) Filed: **Jun. 15, 2011**

Related U.S. Application Data

(63) Continuation of application No. 29/372,661, filed on Dec. 21, 2010, now abandoned, which is a continuation of application No. 29/370,525, filed on Jul. 29, 2010, now abandoned, which is a continuation of application No. 29/348,927, filed on Feb. 22, 2010, now abandoned, which is a continuation of application No. 29/301,732, filed on Mar. 14, 2008, now abandoned.

(51) **LOC (9) Cl.** **07-01**

(52) **U.S. Cl.** **D7/605**

(58) **Field of Classification Search** D7/603-608, D7/629, 602; 62/457.1-457.9, 371, 372, 62/331; 220/915.1, 915.2, 592.01, 592.03, 220/592.09, 592.16, 592.2; 280/29, 30, 47.1, 280/47.37, 47.34, 47.371, 17.5, 651, 652, 280/645

See application file for complete search history.

(56) **References Cited**

U.S. PATENT DOCUMENTS

2,663,391	A *	12/1953	Kuhns	190/12 R
D302,922	S	8/1989	Carlson	
4,913,713	A	4/1990	Bender et al.	
5,064,088	A *	11/1991	Steffes	220/837
5,269,157	A	12/1993	Ciminelli et al.	
5,407,218	A *	4/1995	Jackson	280/30
5,465,988	A	11/1995	Dennis	
D368,387	S *	4/1996	Bureau	D6/397
D421,696	S	3/2000	Hendrix	
6,070,718	A	6/2000	Drabwell	
6,199,570	B1	3/2001	Patarra	
6,212,901	B1 *	4/2001	Pint et al.	62/457.7

6,216,488	B1	4/2001	Rucker	
D448,625	S	10/2001	Moffett, III	
6,374,839	B2	4/2002	Patarra	
6,446,382	B1 *	9/2002	Cloutier et al.	43/54.1
6,474,097	B2	11/2002	Treppedi et al.	
6,536,733	B1	3/2003	Sharp	

(Continued)

OTHER PUBLICATIONS

U.S. Appl. No. 29/301,732, M. N. Blake.

(Continued)

Primary Examiner — Terry Wallace

(74) *Attorney, Agent, or Firm* — Frijou, Rust & Pyle, P.A.

(57) **CLAIM**

The ornamental design for a thermally insulated container, as shown and described.

DESCRIPTION

Priority is being claimed to copending U.S. patent application Ser. No. 12/319,465 filed Jan. 7, 2009.

FIG. 1 is a top, left perspective view of the thermally insulated container showing my new design.

FIG. 2 is a top right perspective view thereof;

FIG. 3 is a front view thereof;

FIG. 4 is a rear view thereof;

FIG. 5 is a left side view thereof;

FIG. 6 is a right side view thereof;

FIG. 7 is a top view thereof;

FIG. 8 is a bottom view thereof;

FIG. 9 is a top, left perspective view thereof in an alternate position;

FIG. 10 is a top, right perspective view of FIG. 9;

FIG. 11 is a front view of FIG. 9;

FIG. 12 is a rear view of FIG. 9;

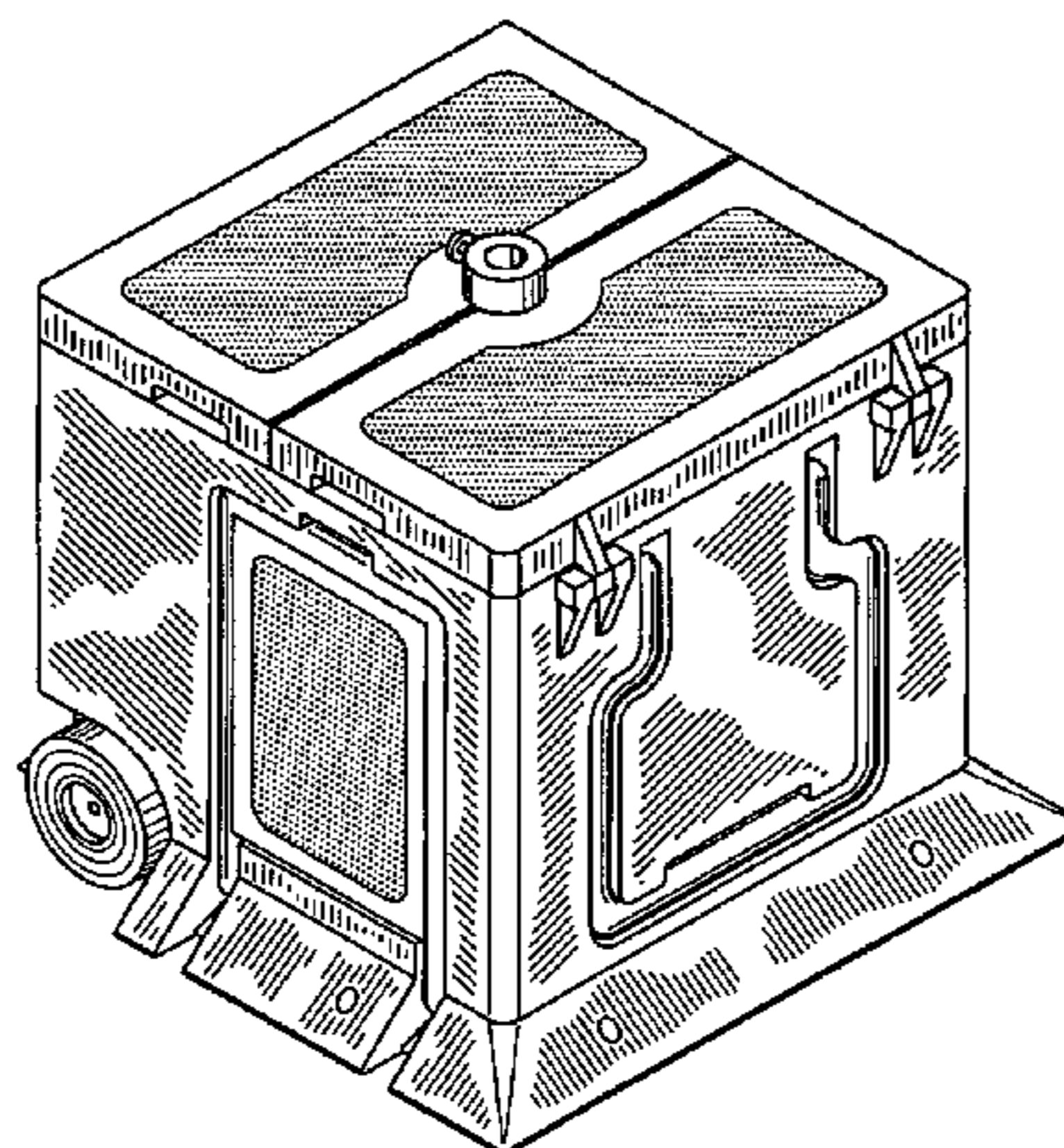
FIG. 13 is a left side view of FIG. 9;

FIG. 14 is a right side view of FIG. 9;

FIG. 15 is a top plan view of FIG. 9; and,

FIG. 16 is a bottom plan view of FIG. 9.

1 Claim, 8 Drawing Sheets



US D651,859 S

Page 2

U.S. PATENT DOCUMENTS

6,554,012 B2 4/2003 Patarra
6,588,720 B1 7/2003 Revette
D479,440 S 9/2003 Kennedy
D486,357 S * 2/2004 Leba et al. D7/605
6,796,319 B1 9/2004 Patarra et al.
6,814,333 B1 11/2004 Freiburger
6,895,982 B1 5/2005 Shaw
6,993,931 B1 2/2006 Hamilton
D527,225 S * 8/2006 Krieger et al. D7/605
D528,368 S * 9/2006 Maldonado D7/605
D530,158 S * 10/2006 Miesieski et al. D7/605
7,140,507 B2 * 11/2006 Maldonado et al. 220/592.2

7,143,601 B1 12/2006 Jimenez
7,163,262 B2 1/2007 Anglin
2001/0006073 A1 7/2001 Patarra
2001/0054433 A1 12/2001 Patarra
2006/0202092 A1 9/2006 Johnson
2007/0101754 A1 * 5/2007 Maldonado 62/389
2007/0152003 A1 7/2007 Dollar, Jr.
2007/0154276 A1 7/2007 Dollar, Jr.

OTHER PUBLICATIONS

U.S. Appl. No. 12/319,465, M. N. Blake.

* cited by examiner

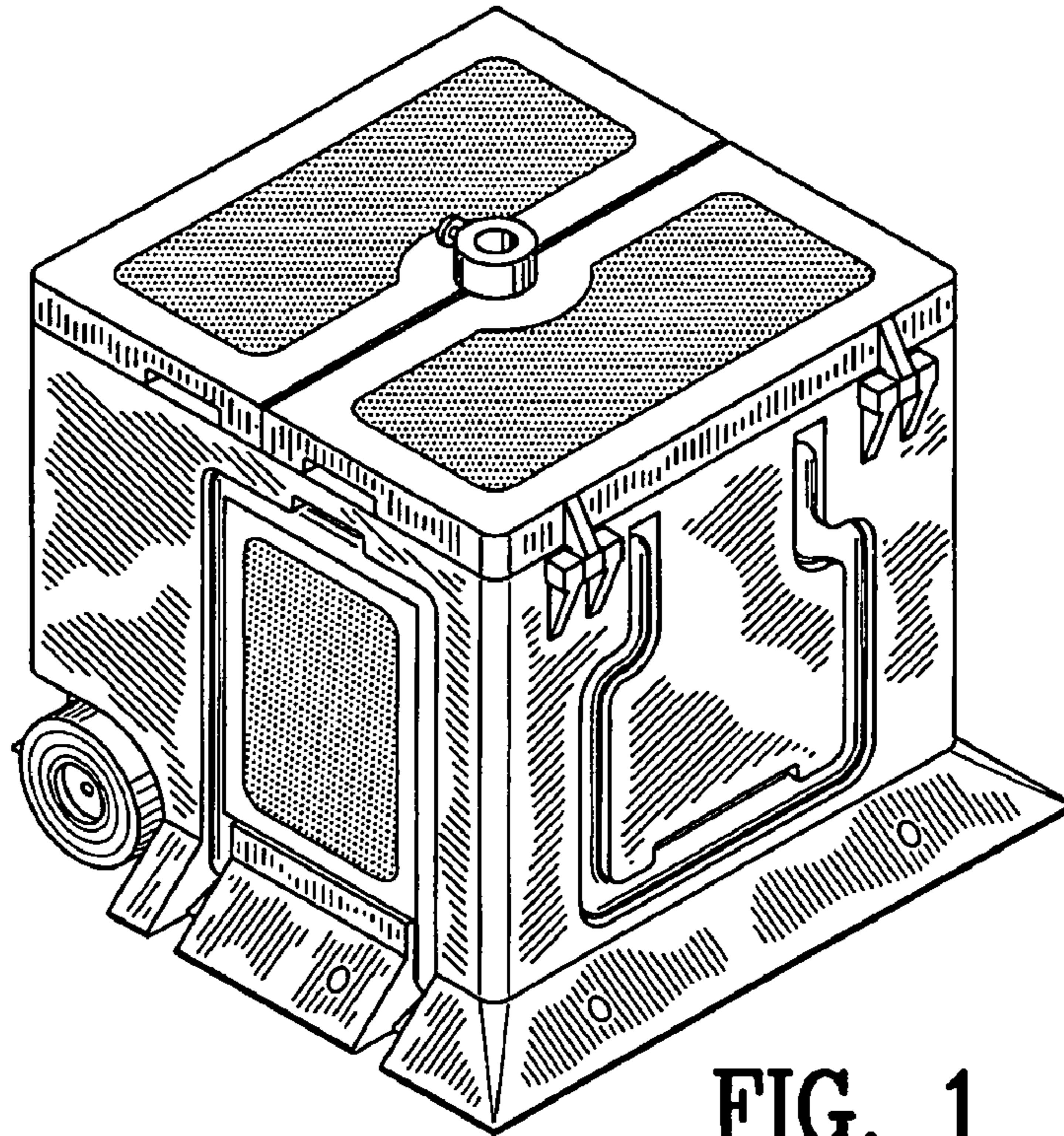


FIG. 1

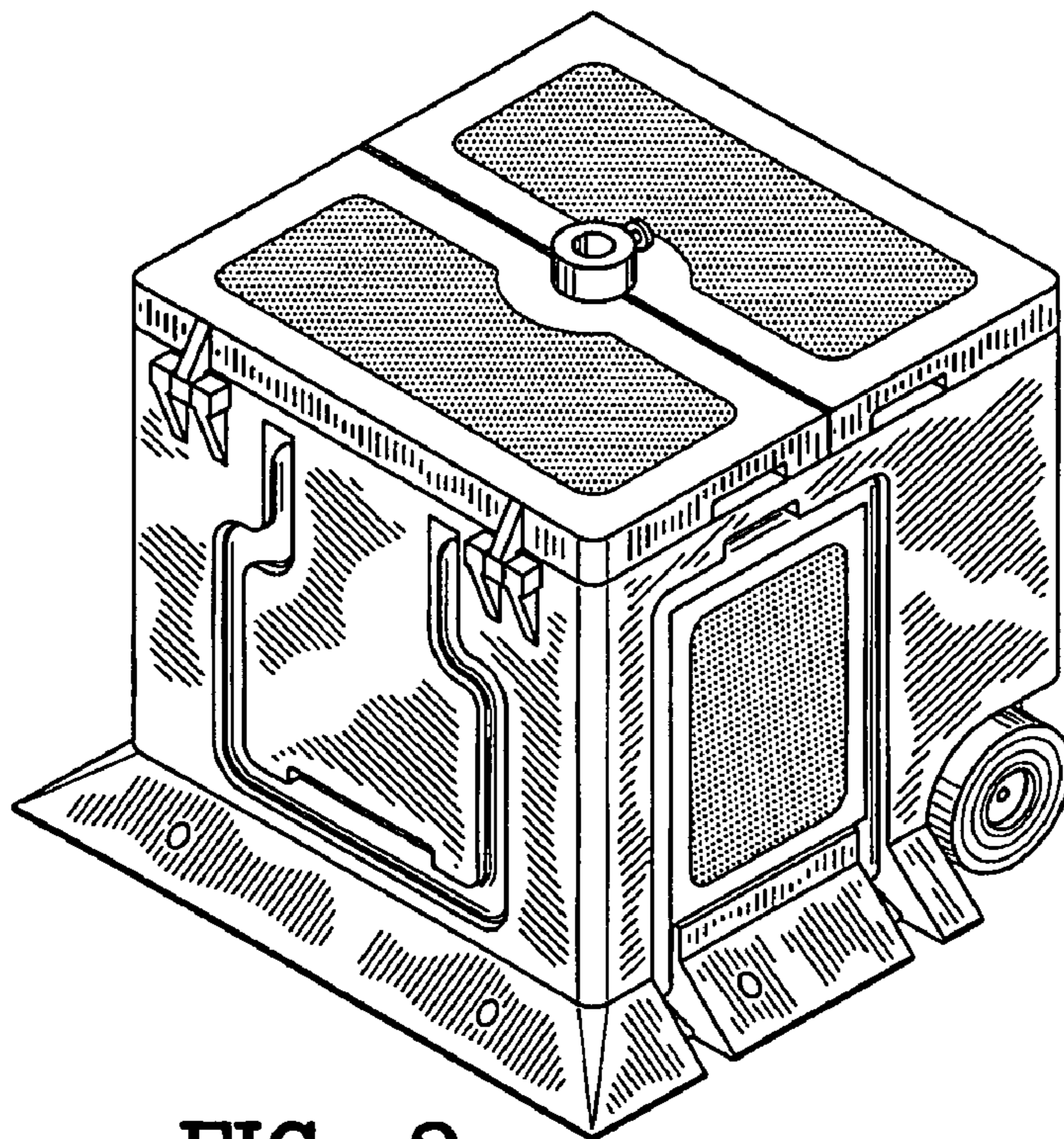


FIG. 2

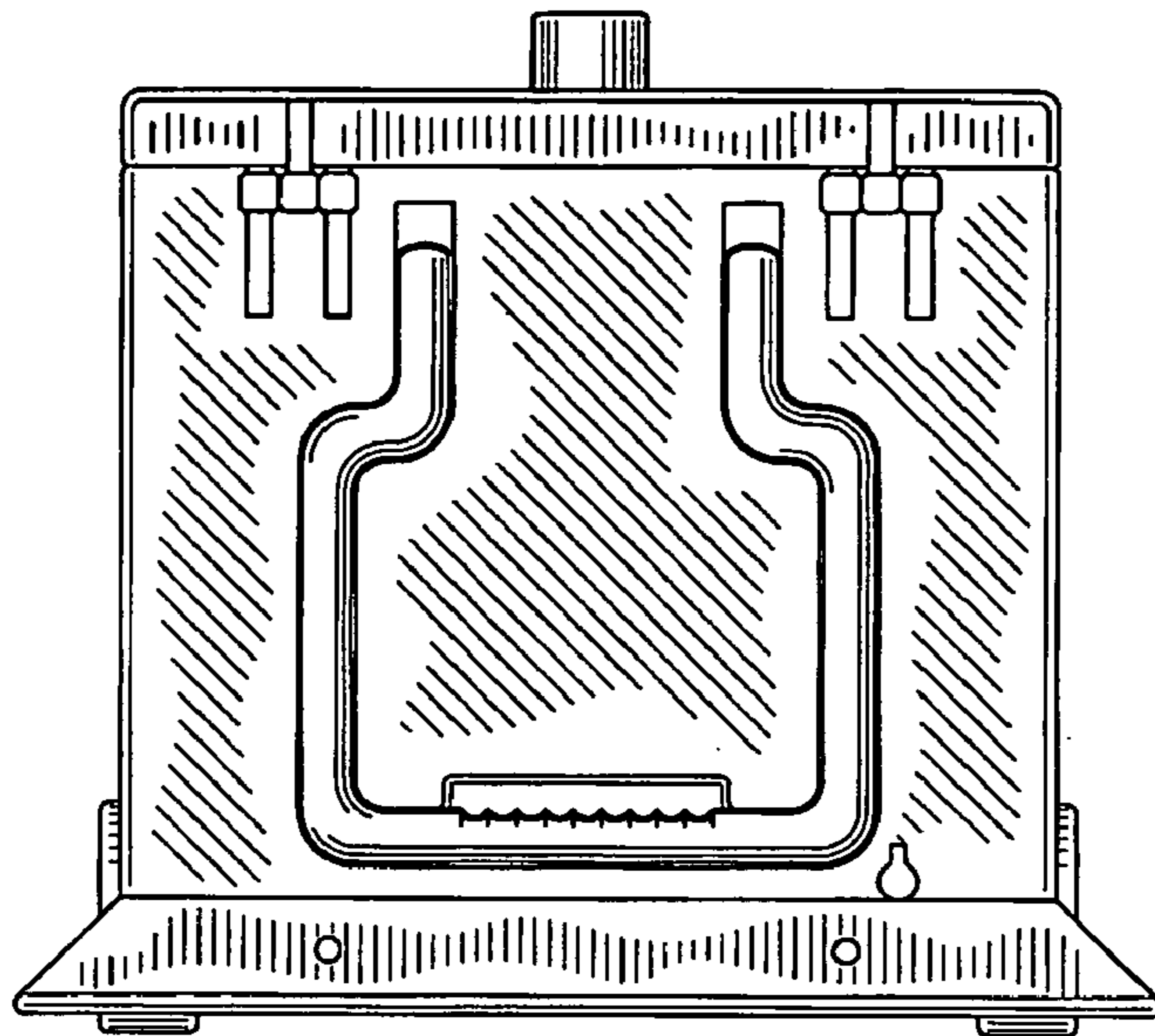


FIG. 3

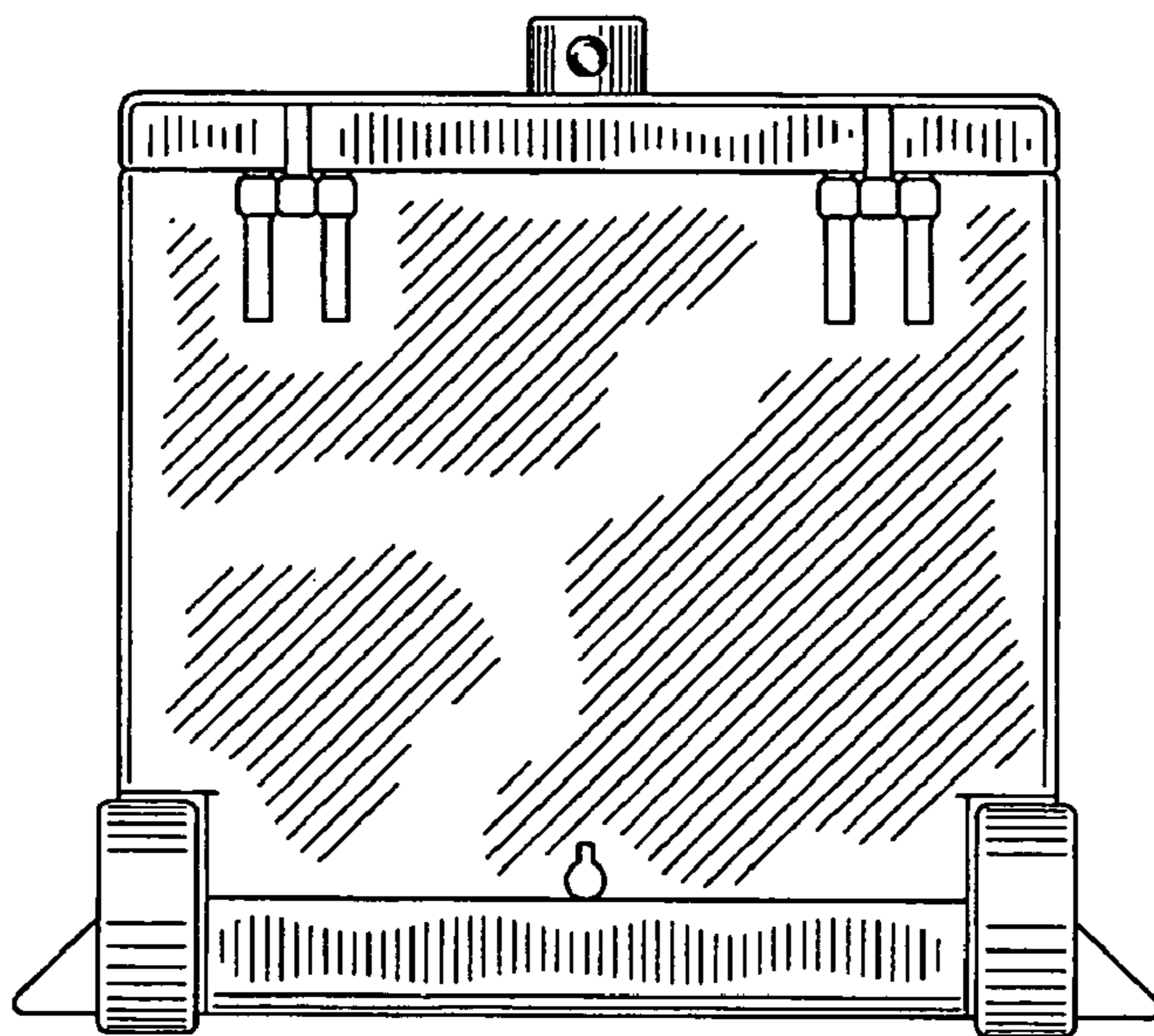


FIG. 4

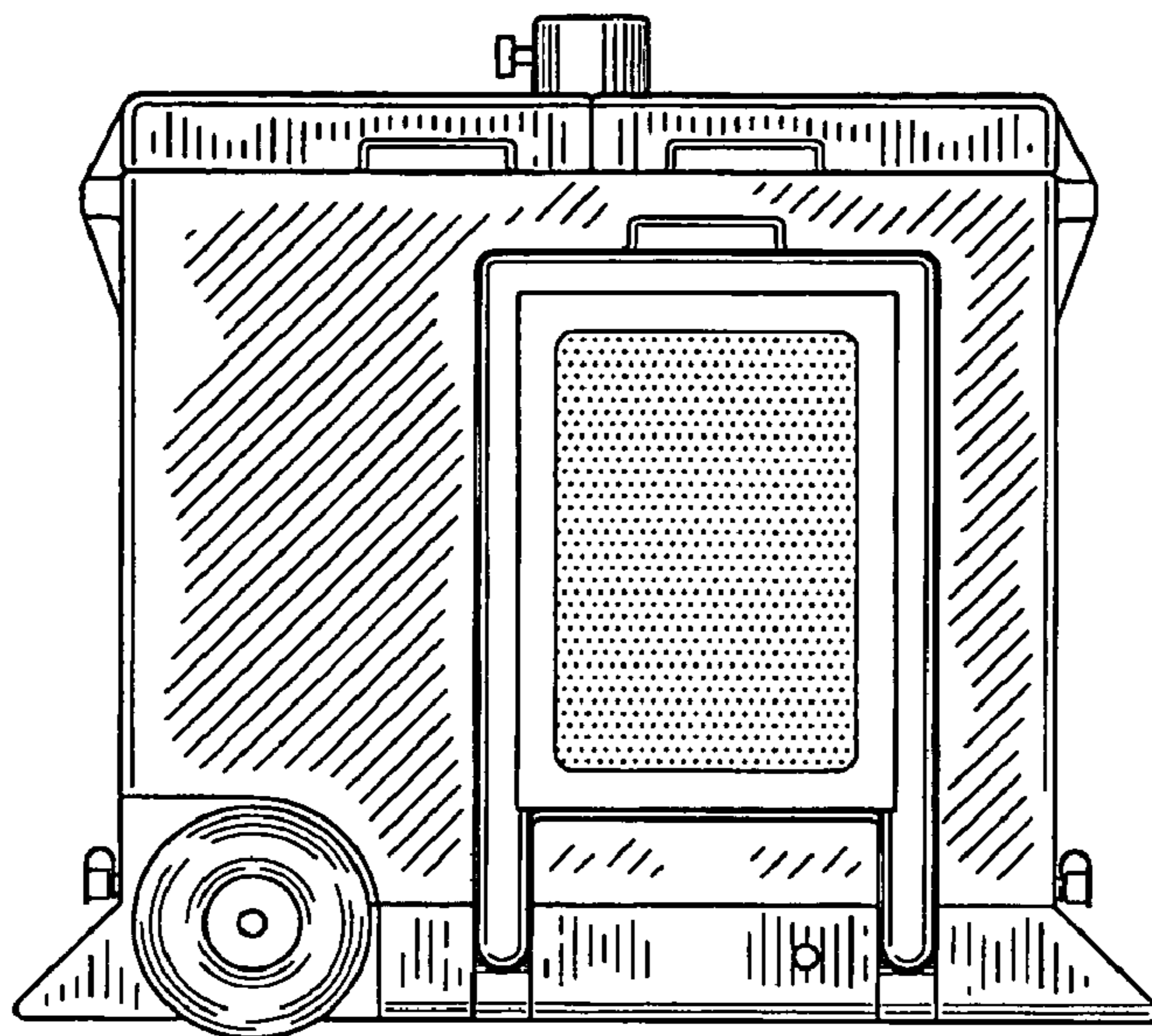


FIG. 5

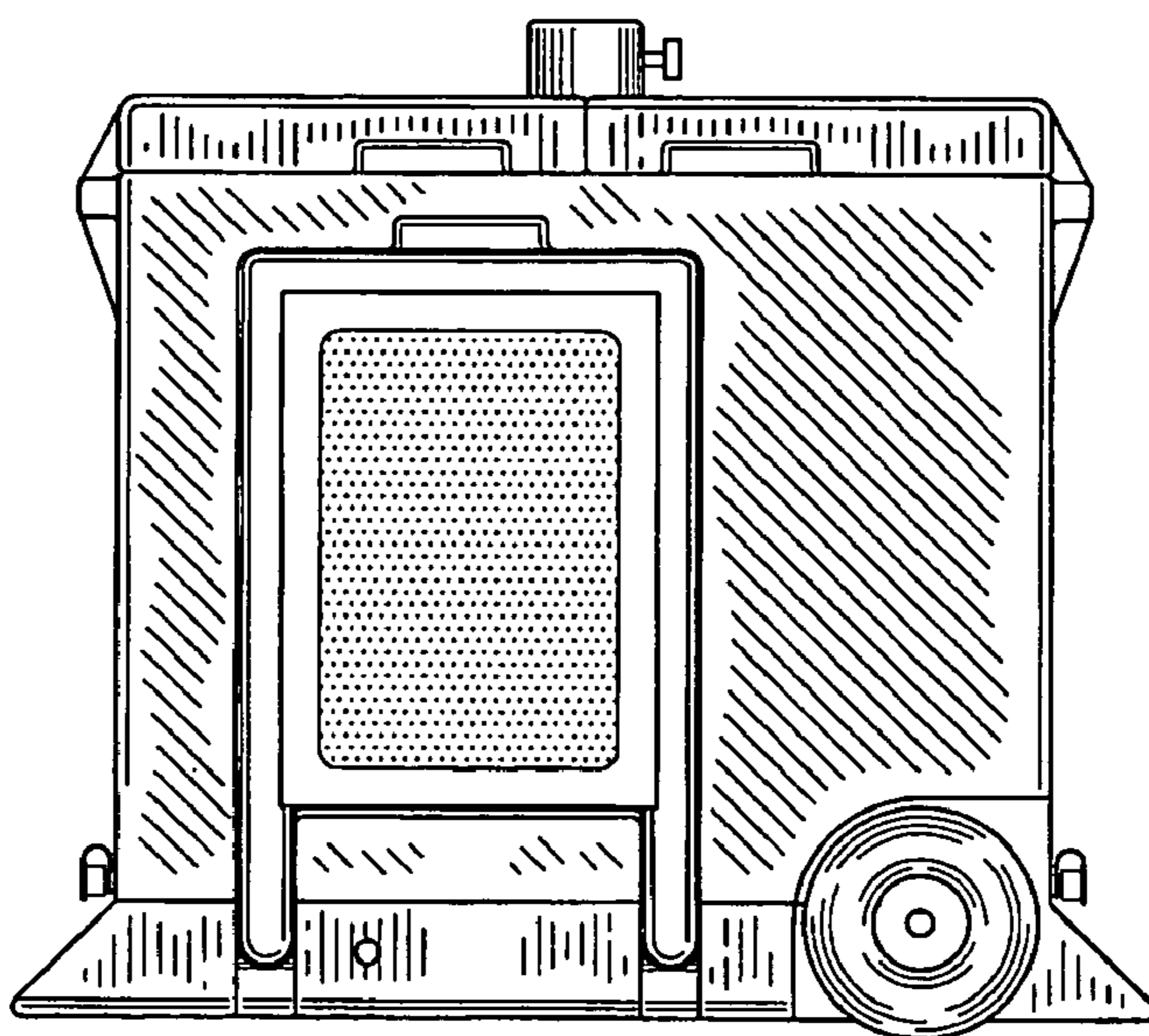


FIG. 6

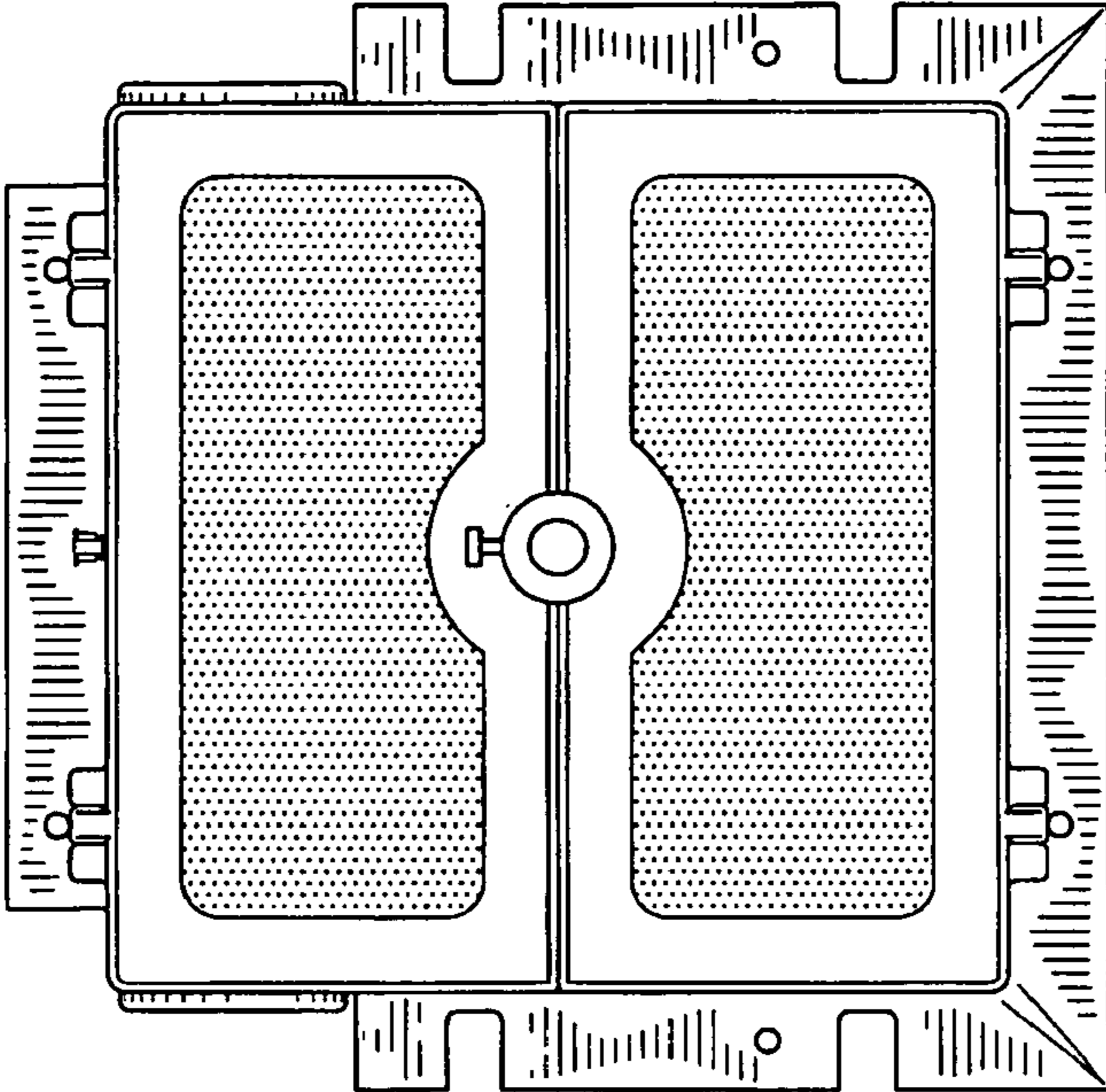


FIG. 7

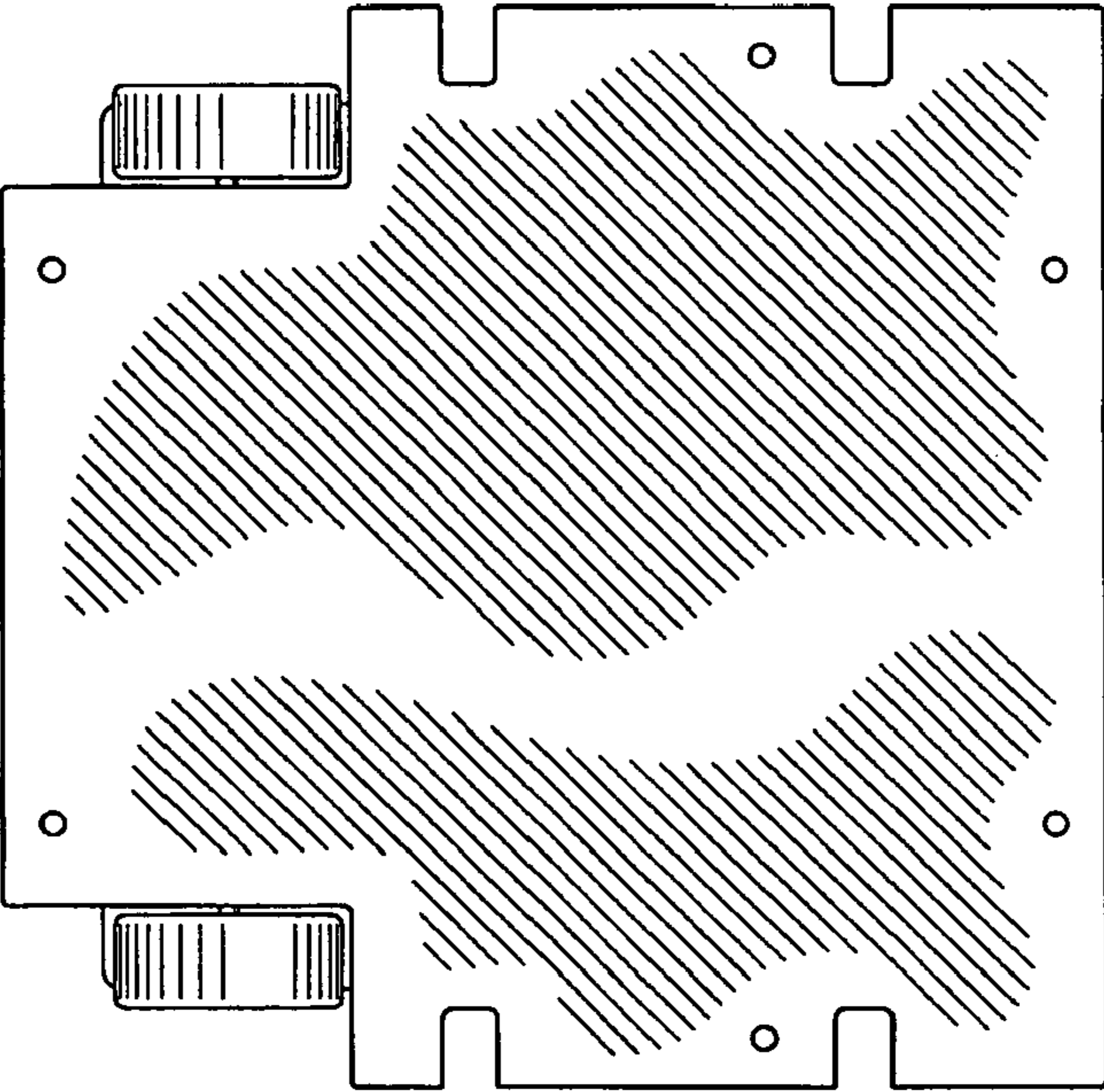


FIG. 8

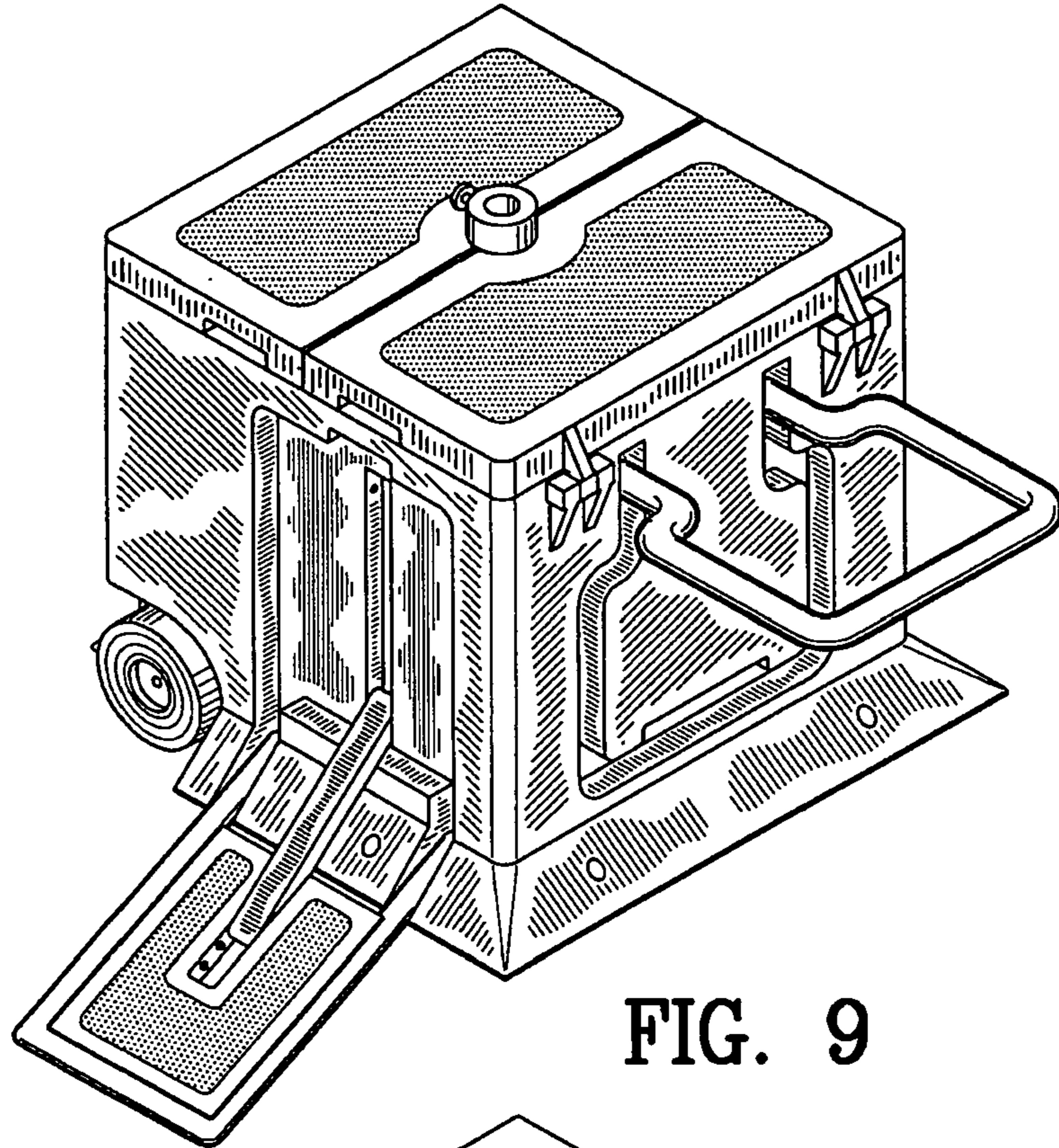


FIG. 9

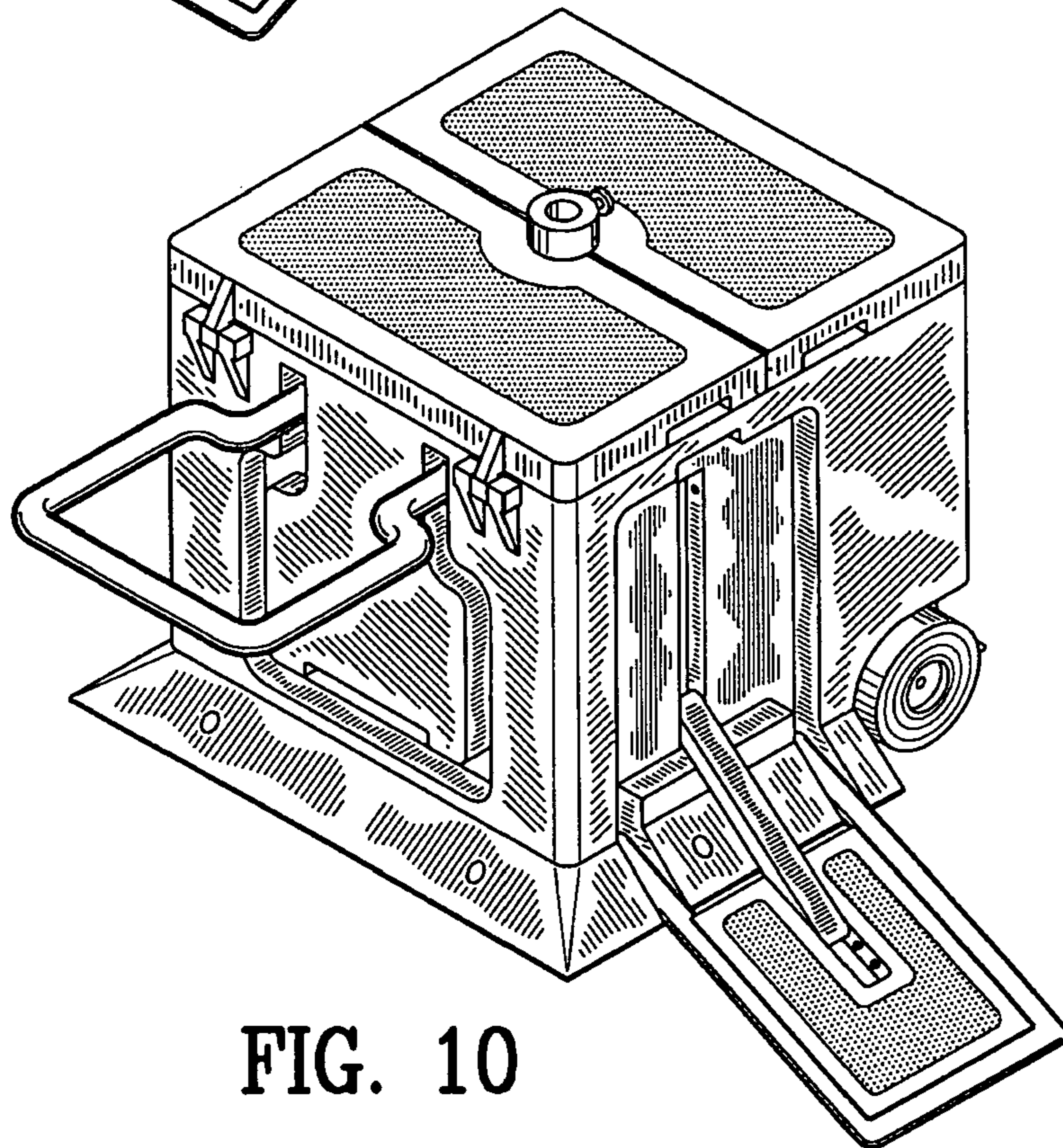


FIG. 10

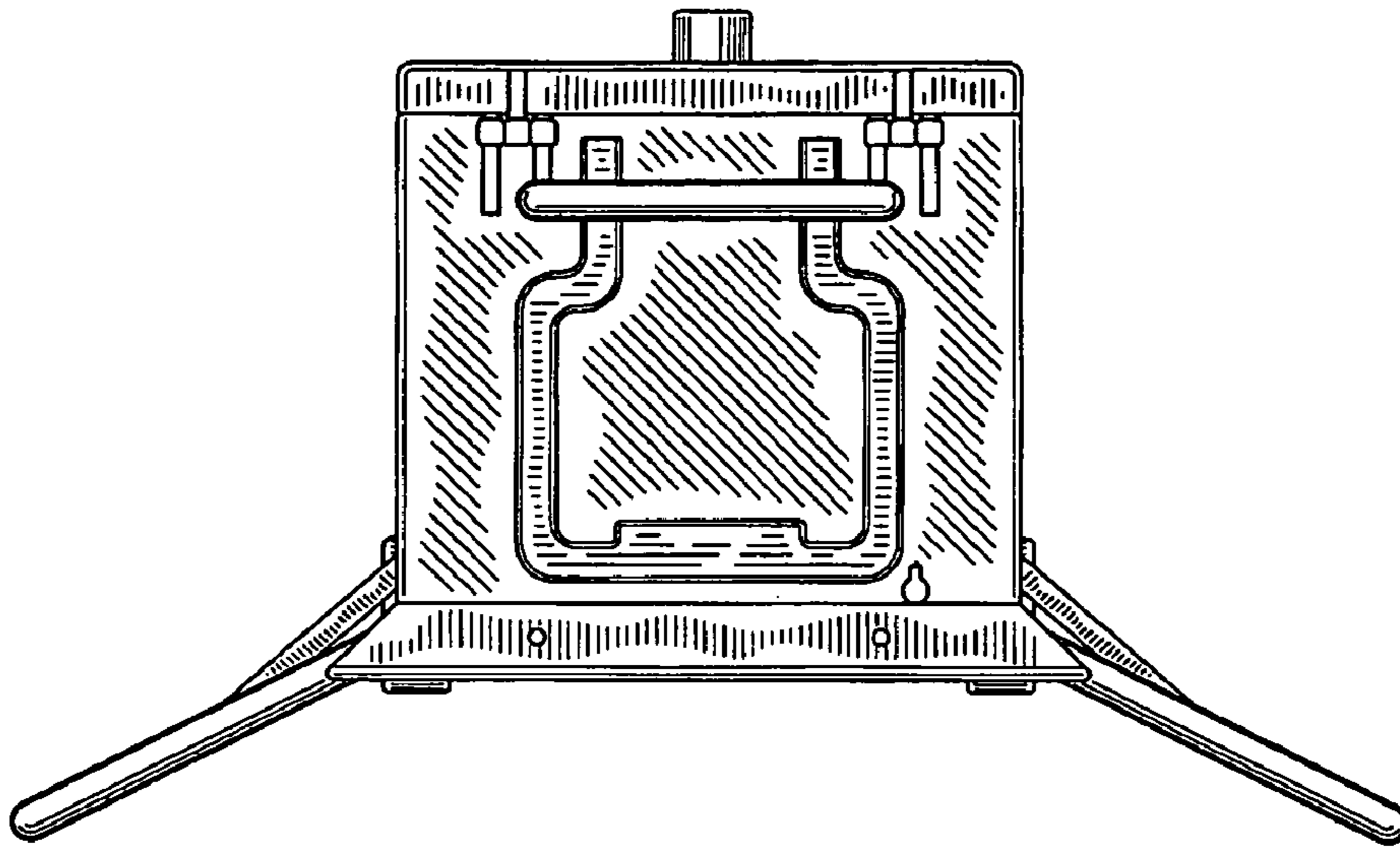


FIG. 11

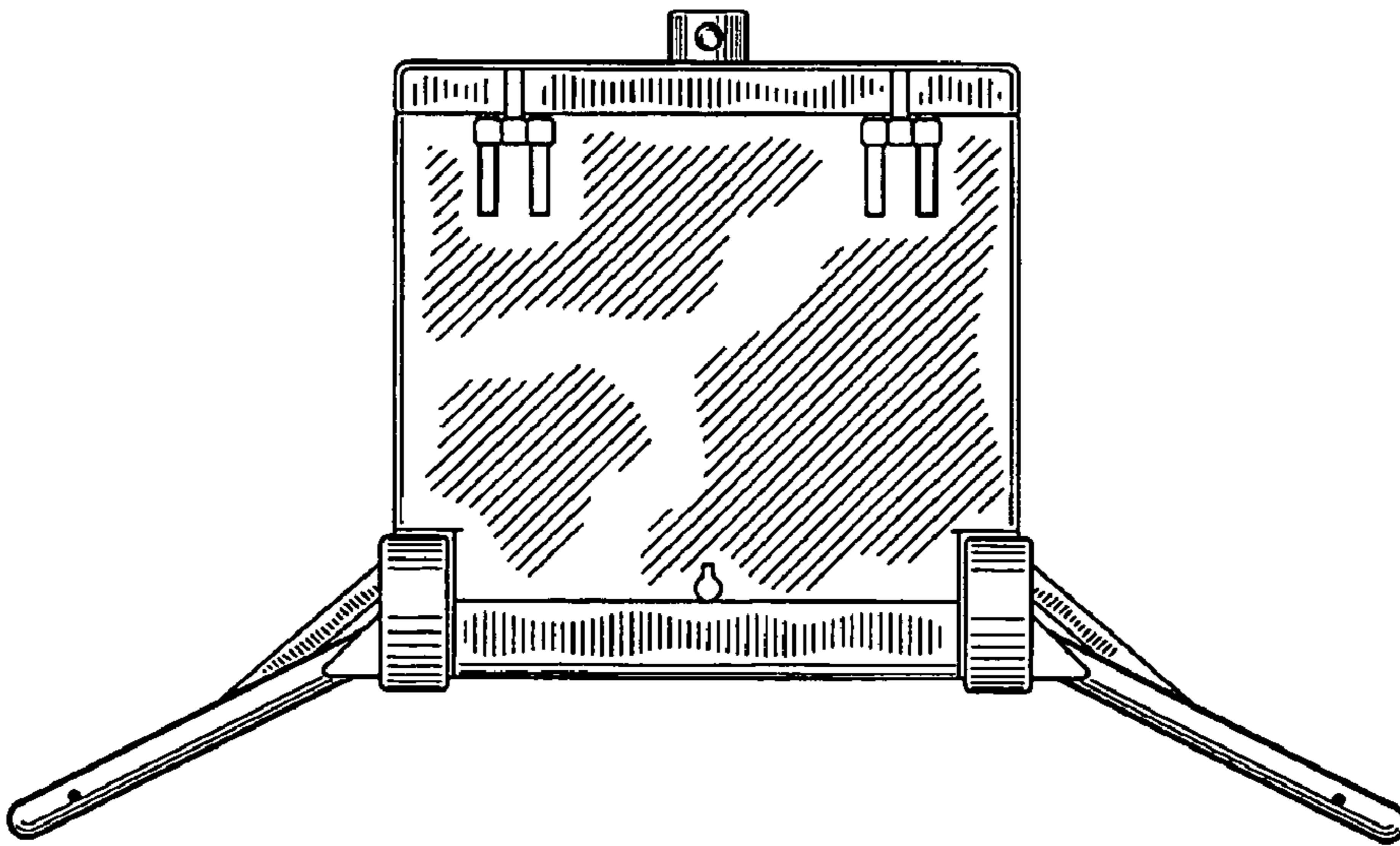


FIG. 12

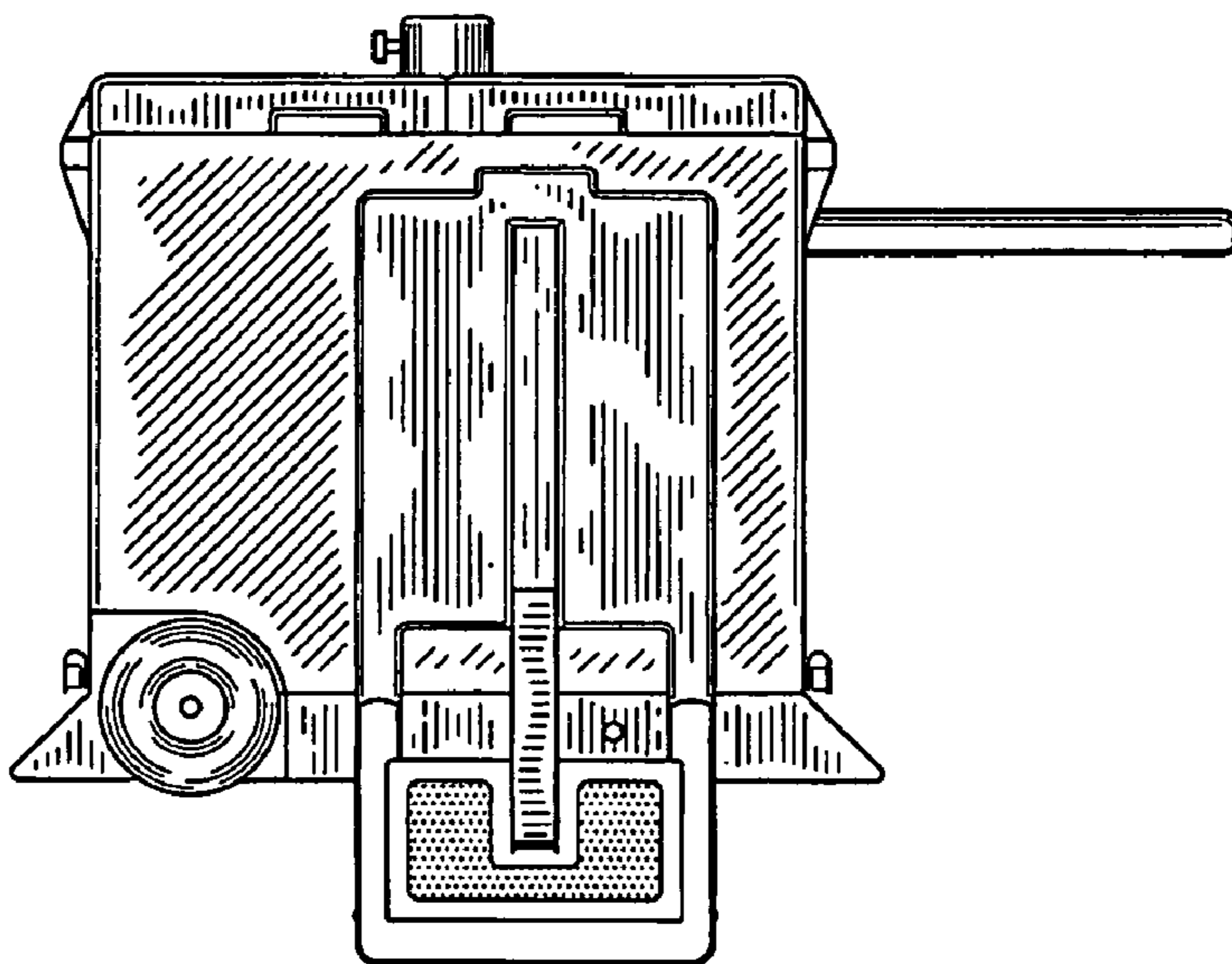


FIG. 13

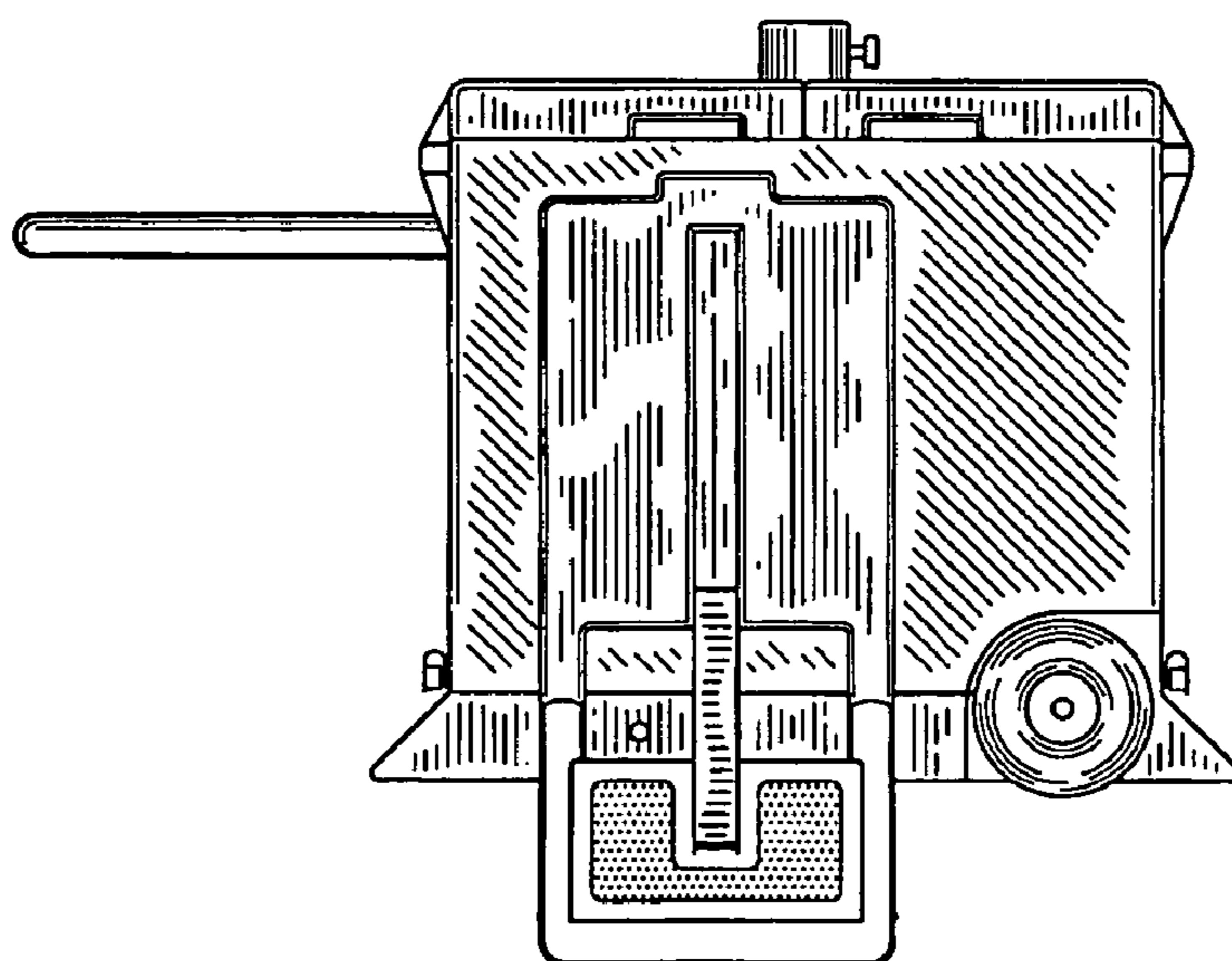


FIG. 14

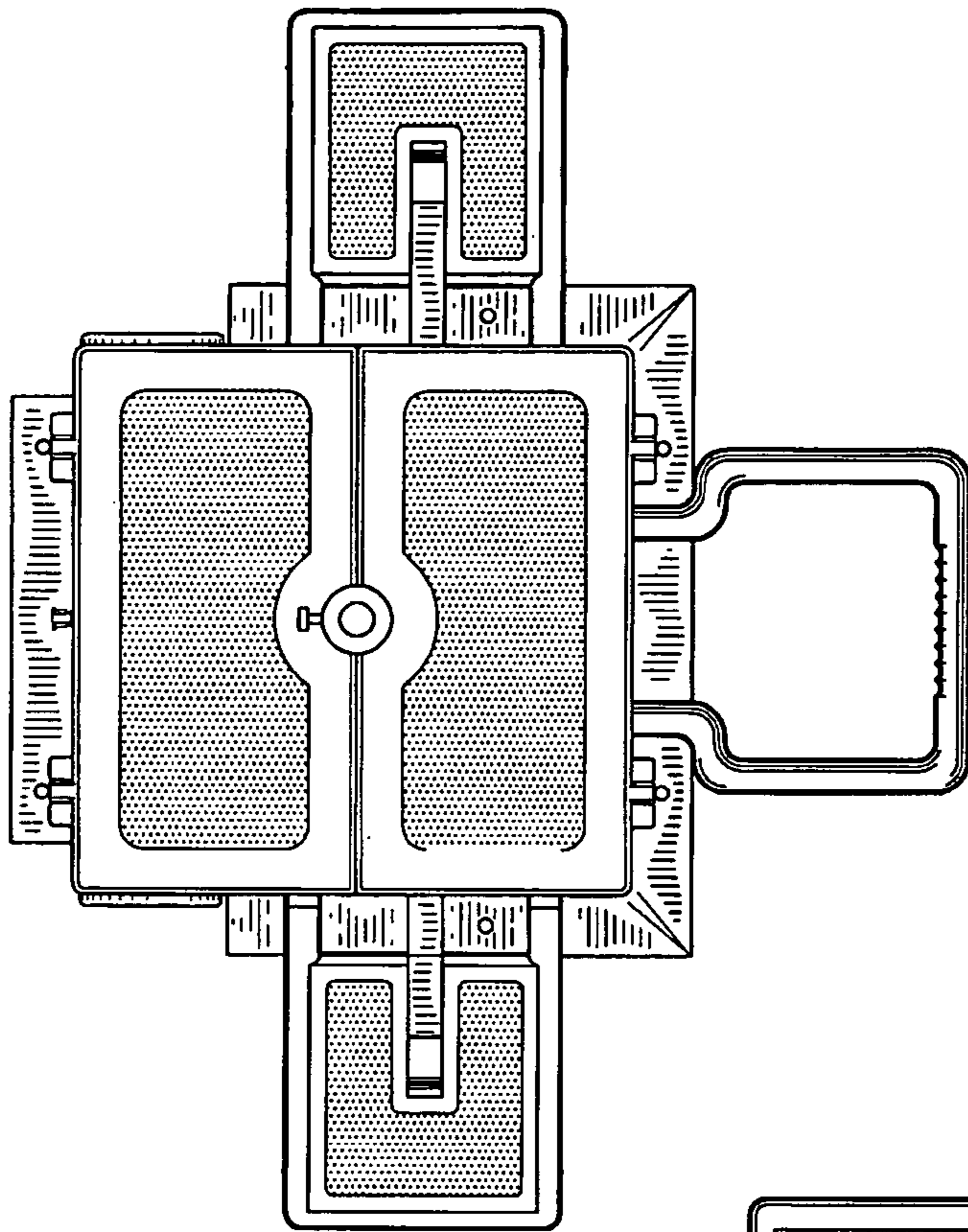


FIG. 15

FIG. 16

