

US00D651850S

(12) **United States Design Patent**
Moon et al.

(10) **Patent No.:** **US D651,850 S**

(45) **Date of Patent:** **** *Jan. 10, 2012**

(54) **COOKING HOUSING FOR A PORTABLE
COUNTERTOP ELECTRIC OVEN**

(75) Inventors: **Jung S. Moon**, Buffalo Grove, IL (US);
Gene H. Kim, Grayslake, IL (US);
Mikale K. Kwon, Glenview, IL (US);
Charles Choi, Chicago, IL (US); **Mark
R. Pavel**, Downers Grove, IL (US)

(73) Assignee: **IBC-Hearthware, Inc.**, Libertyville, IL
(US)

(*) Notice: This patent is subject to a terminal dis-
claimer.

(**) Term: **14 Years**

(21) Appl. No.: **29/357,553**

(22) Filed: **Mar. 12, 2010**

(51) **LOC (9) Cl.** **07-02**

(52) **U.S. Cl.** **D7/402**

(58) **Field of Classification Search** D7/350.1,
D7/350.3, 350.4, 402-403, 355; 126/19 M,
126/275 E, 21 A, 390.1; 99/474, 330, 476;
219/386, 403, 407, 415, 438, 400, 391, 432,
219/402, 494, 490

See application file for complete search history.

(56) **References Cited**

U.S. PATENT DOCUMENTS

D302,095 S * 7/1989 Nishikawa D7/350.3
D328,834 S * 8/1992 Chang D7/350.3
5,165,328 A * 11/1992 Erickson et al. 99/330
D334,864 S * 4/1993 Chang D7/350.3

D347,140 S * 5/1994 Dornbush et al. D7/350.3
D351,088 S * 10/1994 Hsiao D7/543
D355,564 S * 2/1995 Dornbush et al. D7/350.3
D357,383 S * 4/1995 Dornbush et al. D7/350.3
D360,335 S * 7/1995 Chang D7/350.3
5,466,912 A * 11/1995 Dornbush et al. 219/400
D367,396 S * 2/1996 Hsu D7/350.3
D417,847 S * 12/1999 Rush et al. D9/454
6,747,250 B1 * 6/2004 Cha 219/400
6,917,017 B2 * 7/2005 Moon et al. 219/400
6,936,795 B1 * 8/2005 Moon et al. 219/400
7,150,279 B2 * 12/2006 Cheng et al. 126/390.1
D553,913 S * 10/2007 Jackson D7/587
D641,585 S * 7/2011 Cheng D7/354
2009/0139981 A1 * 6/2009 Moon 219/490

* cited by examiner

Primary Examiner — Ruth McInroy

(74) *Attorney, Agent, or Firm* — Albrecht Tousi & Farnum
PLLC; Ralph P. Albrecht; Cameron H. Tousi

(57) **CLAIM**

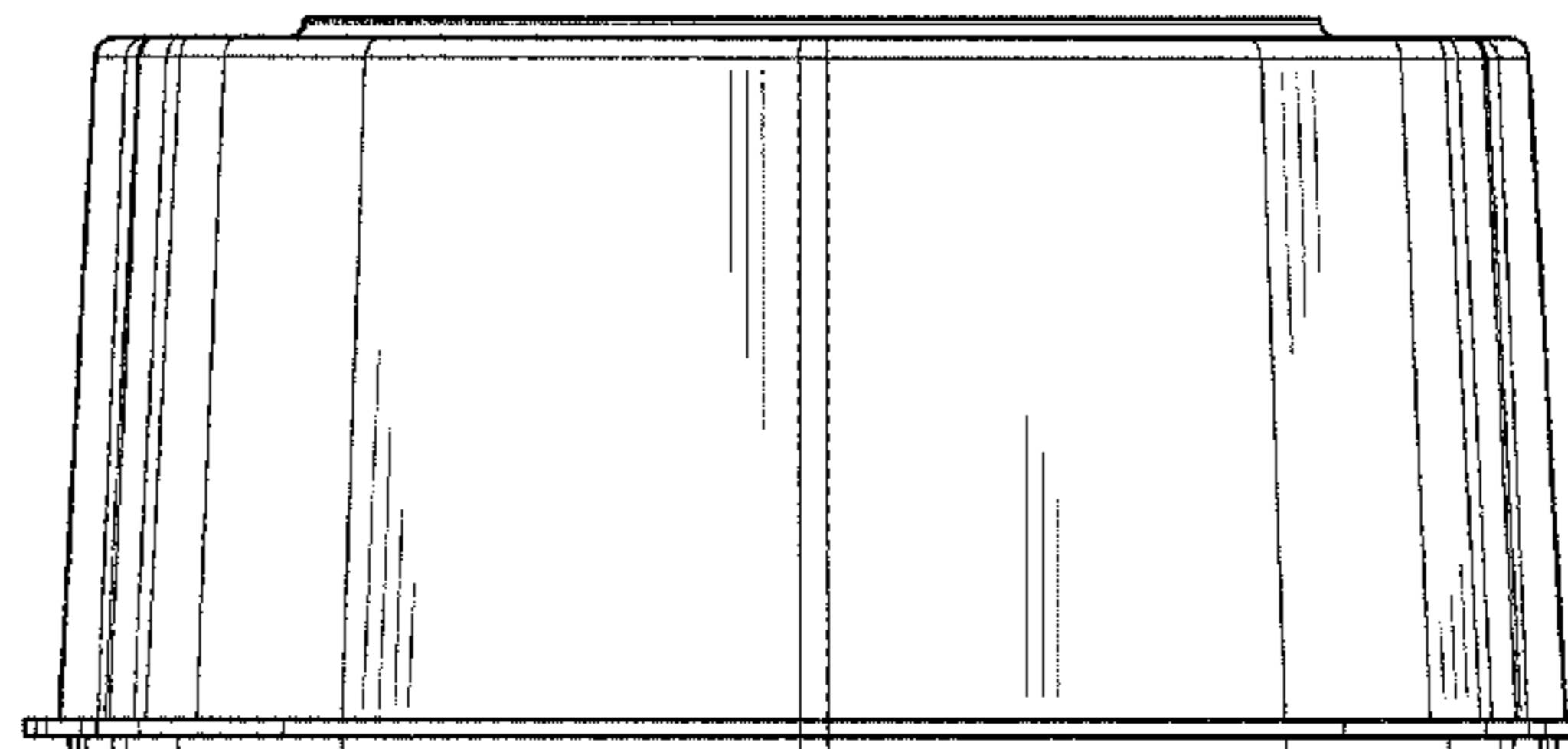
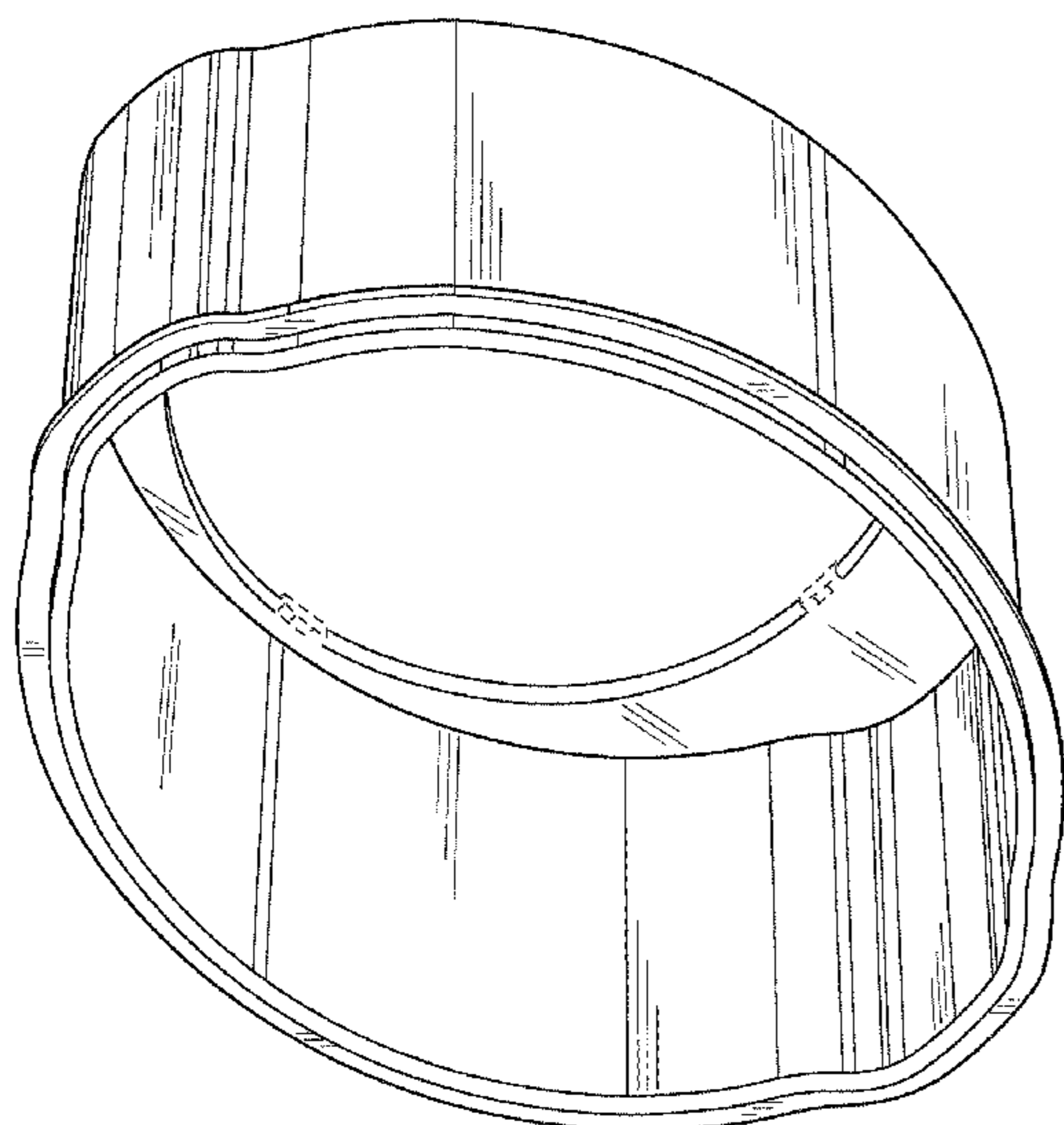
We claim the ornamental design for a cooking housing for a
portable countertop electric oven, as shown and described.

DESCRIPTION

FIG. 1 is a perspective view of a cooking housing for a
portable countertop electric oven showing our new design;
FIG. 2 is a front view thereof;
FIG. 3 is a rear view thereof;
FIG. 4 is a right side view thereof;
FIG. 5 is a left side view thereof;
FIG. 6 is a top view thereof; and,
FIG. 7 is a bottom view thereof.

The dashed lines in various figures are for illustrative pur-
poses only and form no part of the claimed design.

1 Claim, 4 Drawing Sheets



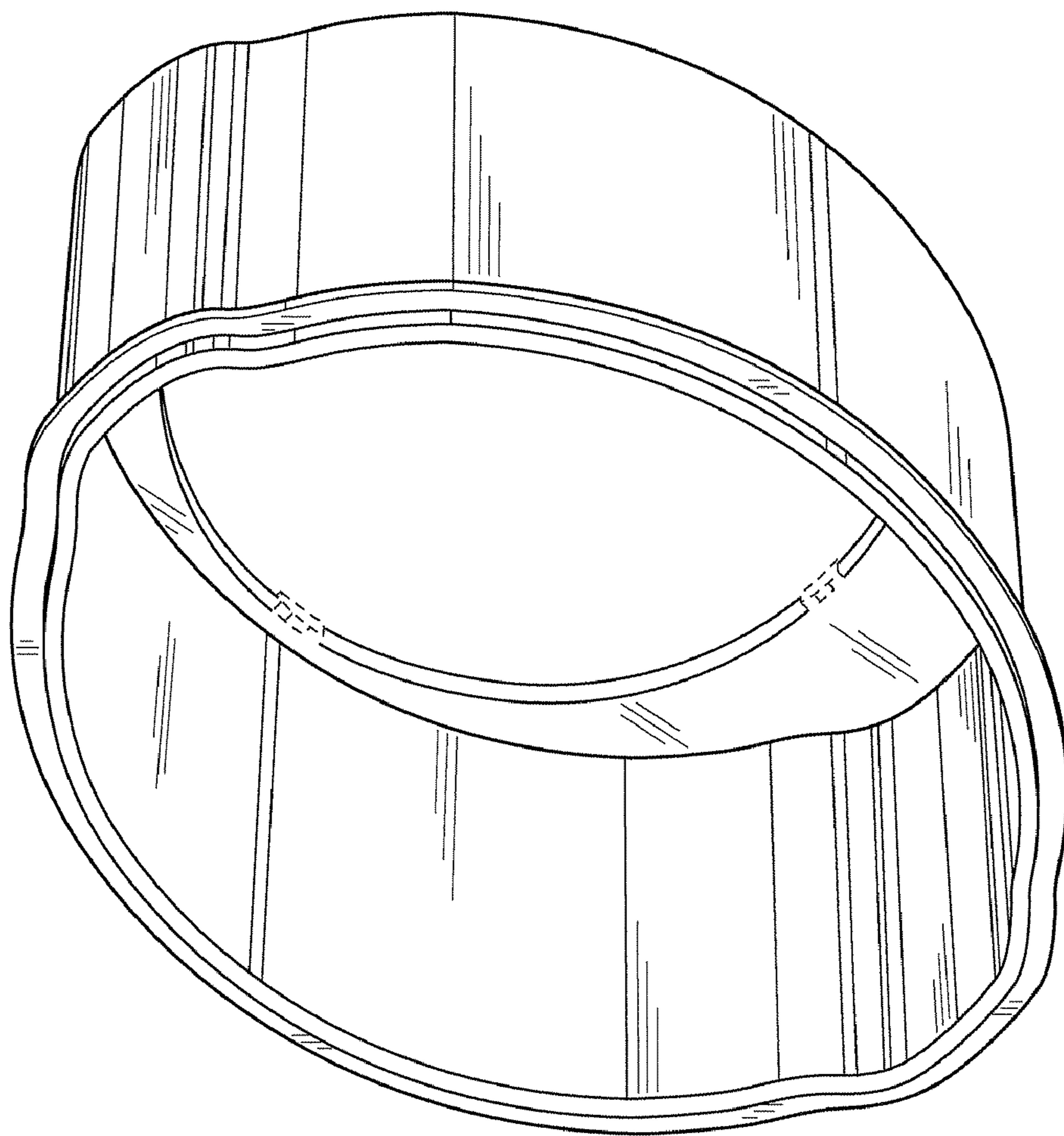


FIG. 1

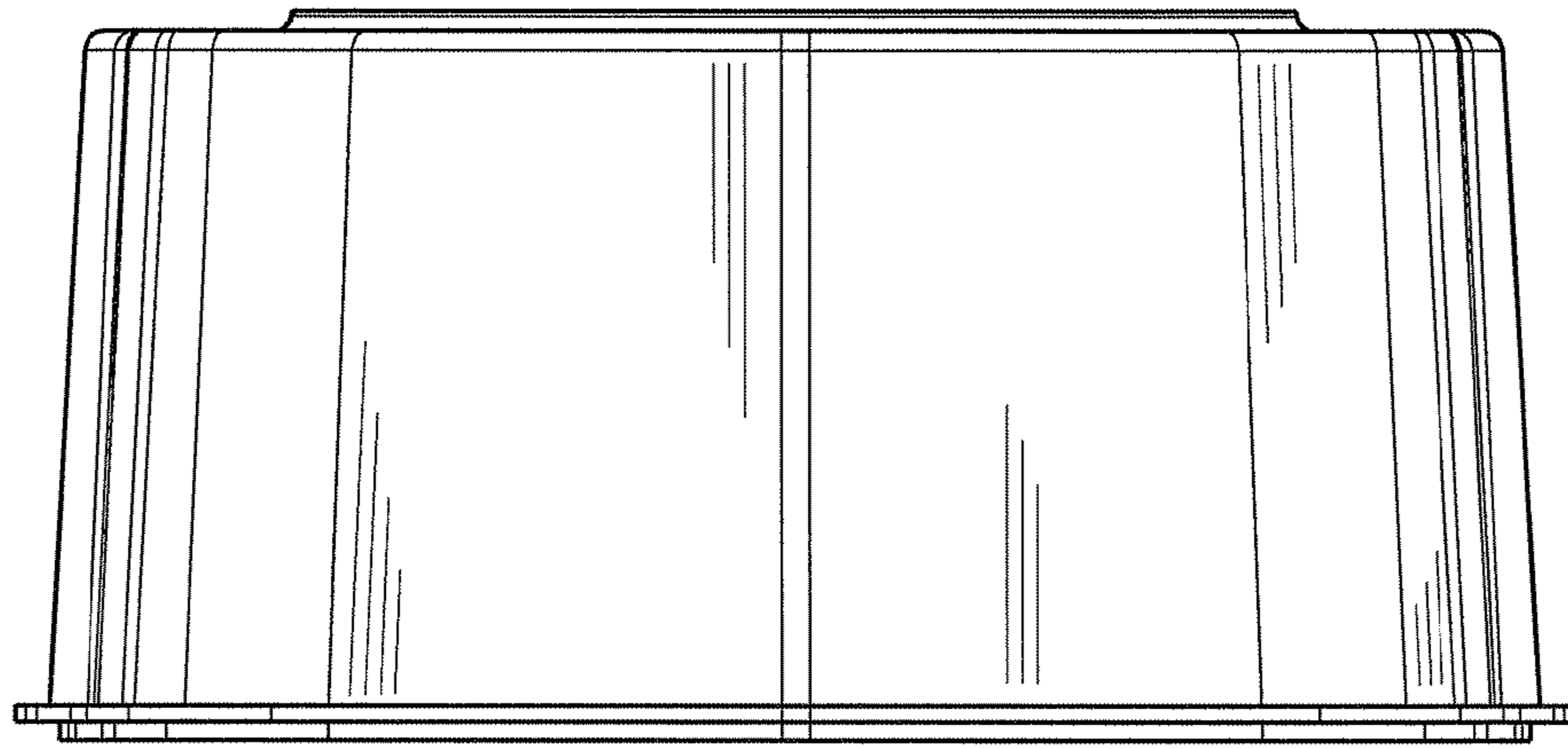


FIG. 2

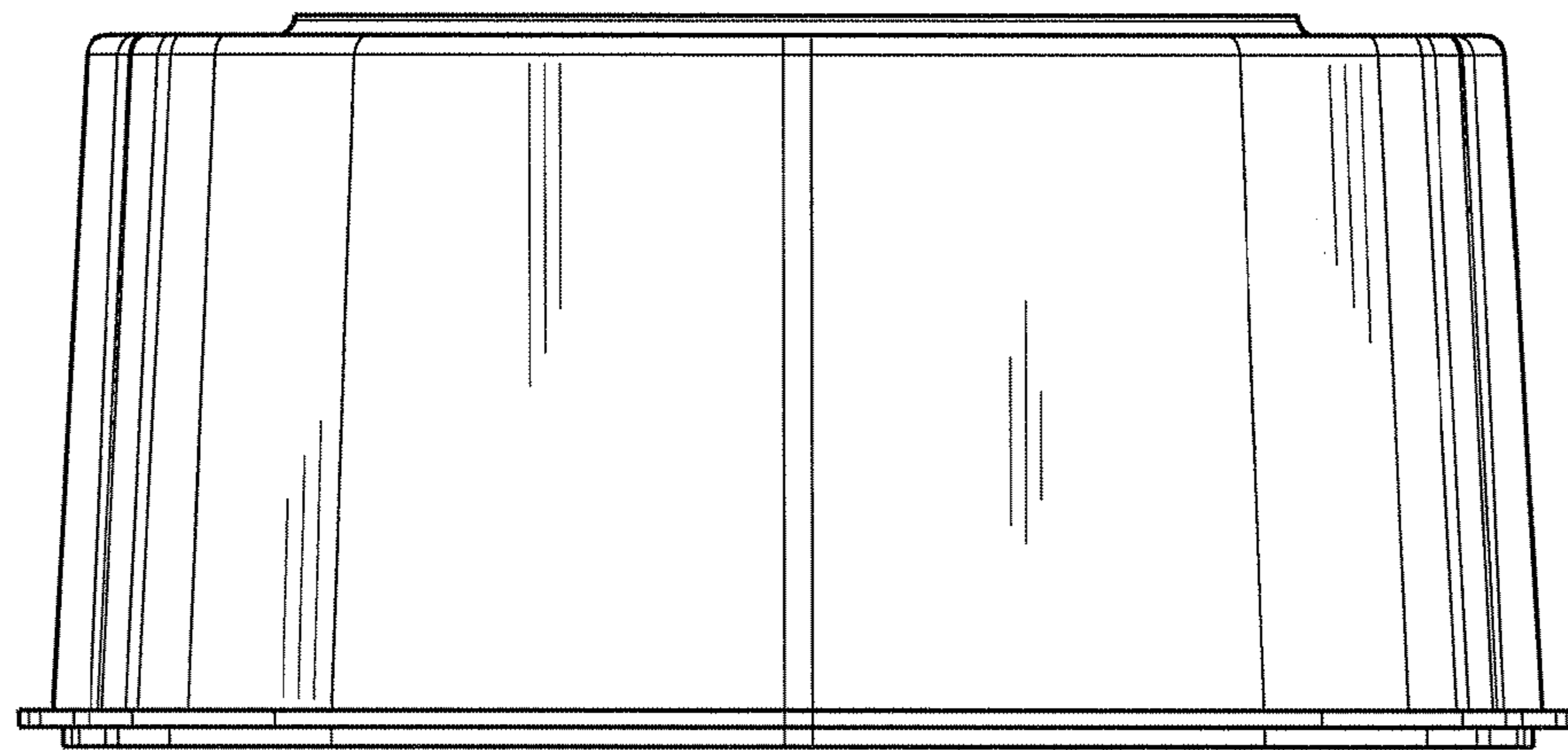


FIG. 3

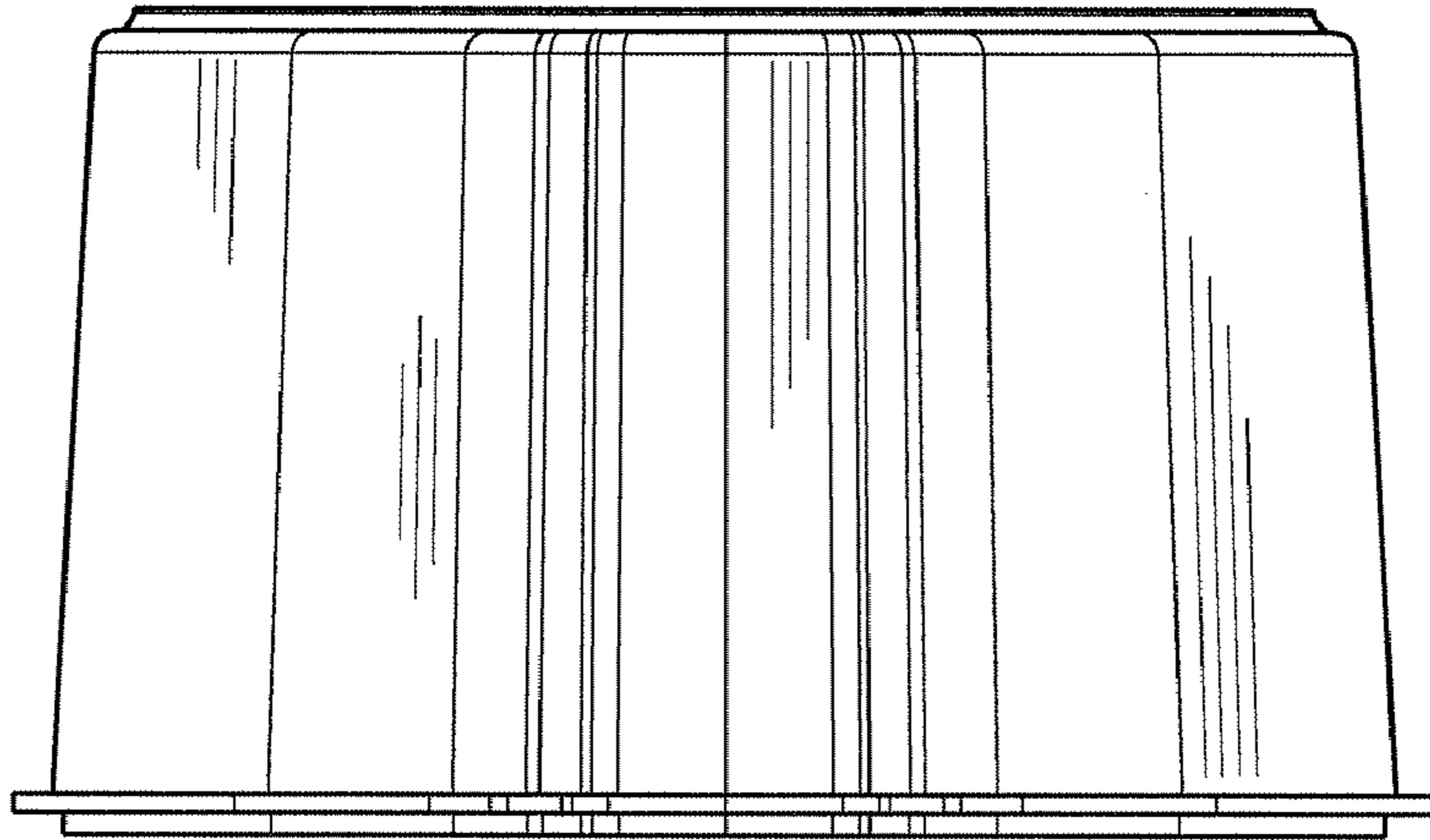


FIG. 4

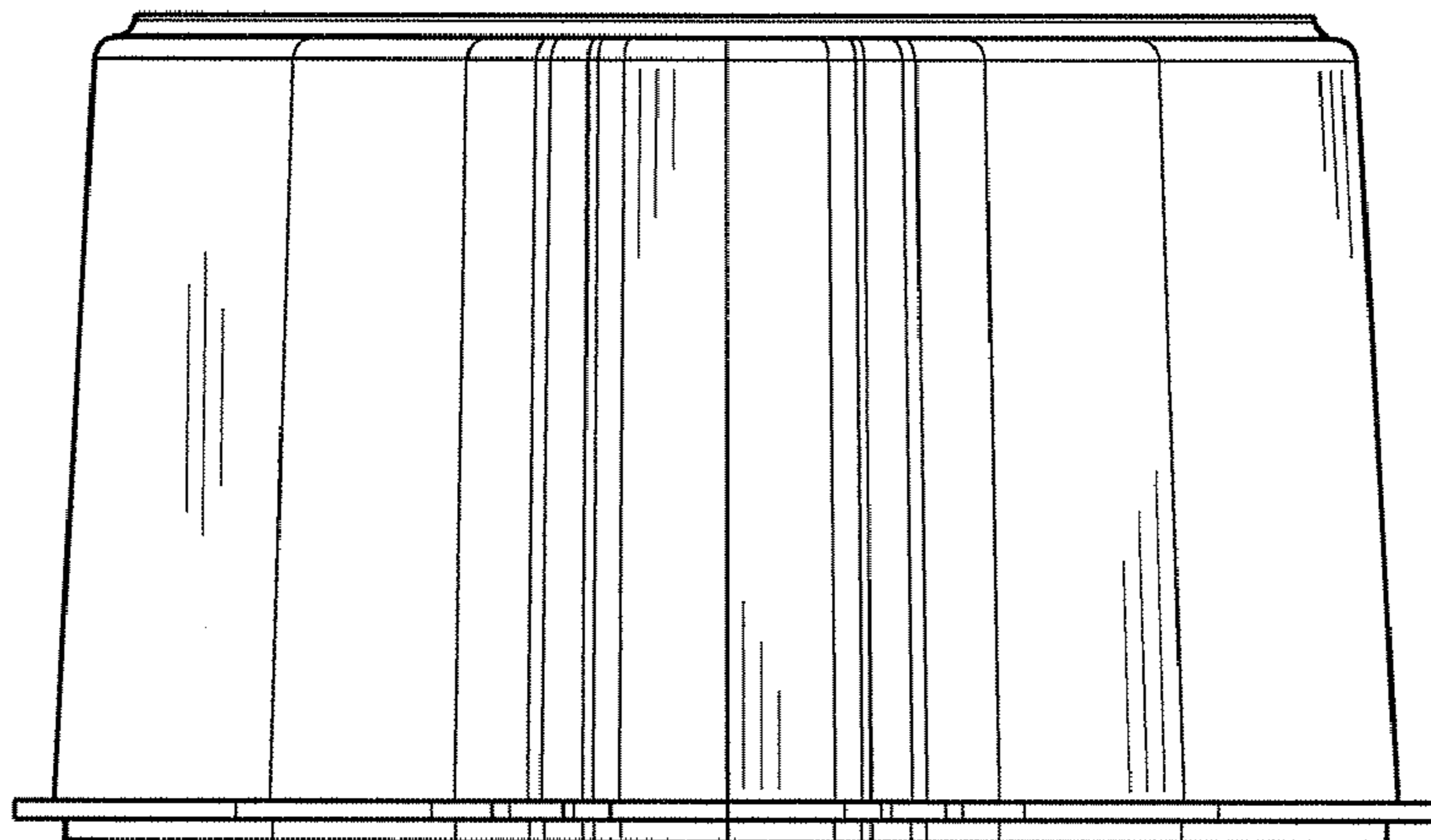


FIG. 5

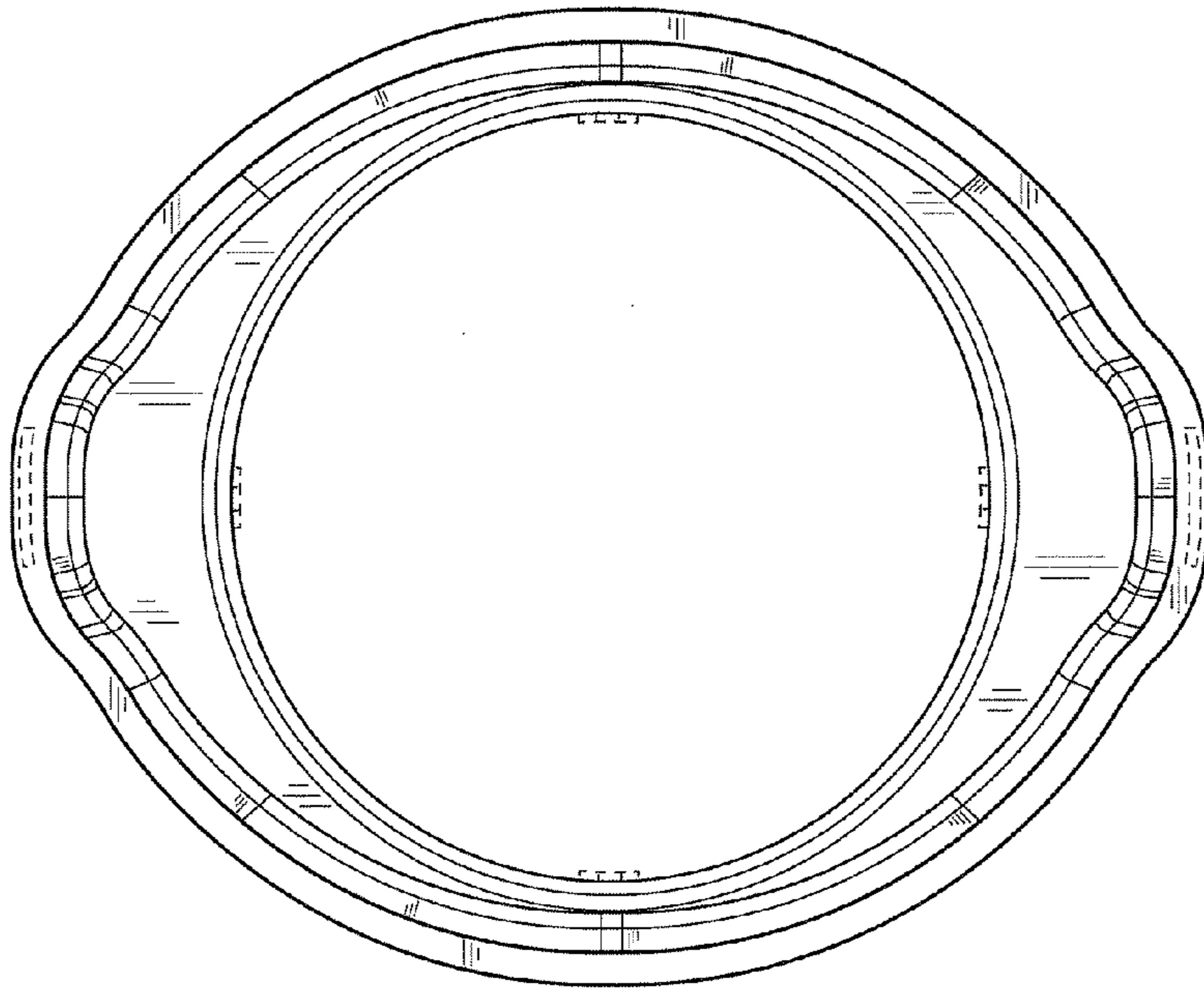


FIG. 6

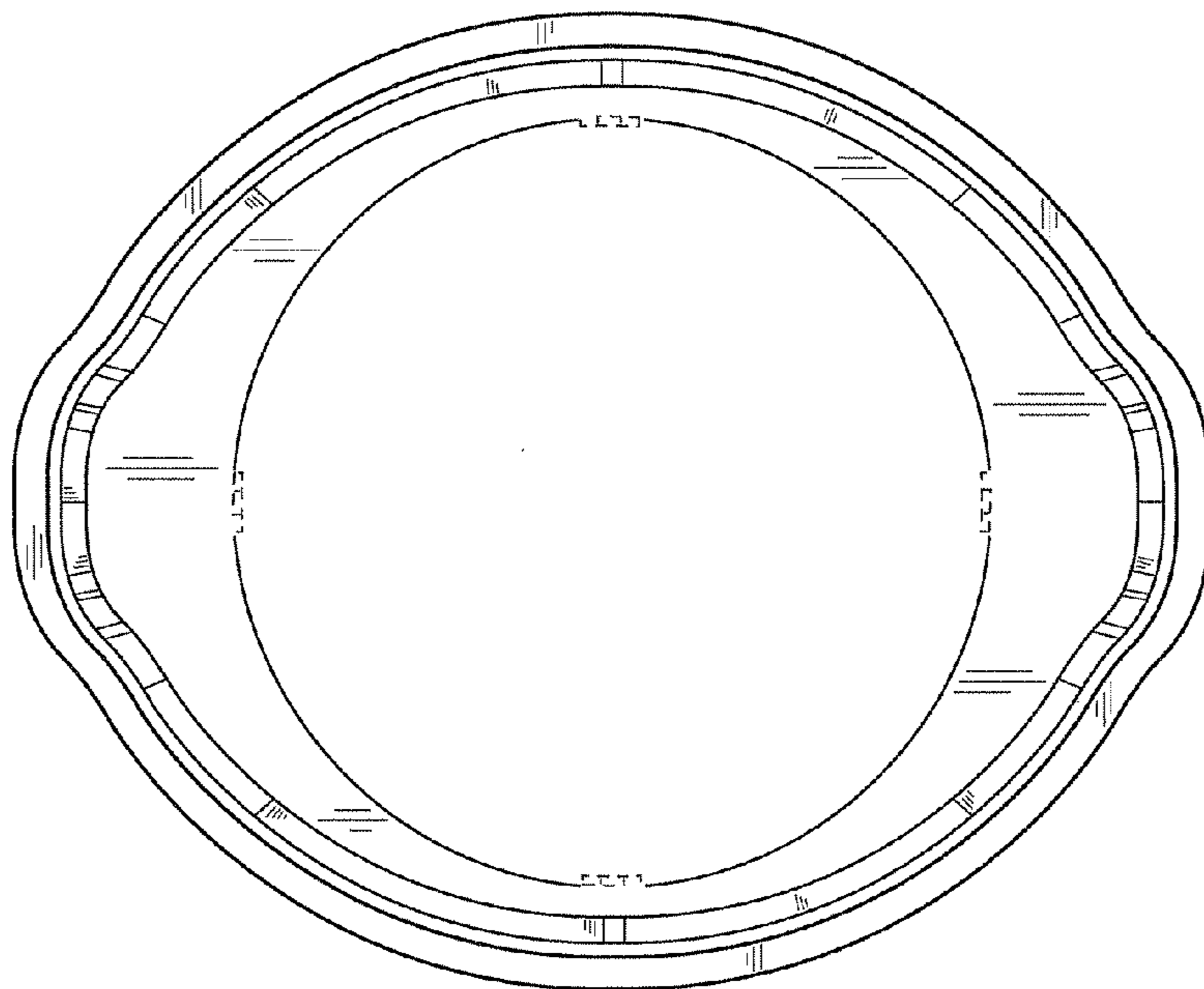


FIG. 7