



US00D651847S

(12) **United States Design Patent**
Gilbert

(10) **Patent No.:** **US D651,847 S**

(45) **Date of Patent:** **** Jan. 10, 2012**

(54) **BEVERAGE CONTAINER CLOSURE**

(75) Inventor: **Tyler Sean Gilbert**, Bellevue, WA (US)

(73) Assignee: **Pacific Market International, LLC**,
Seattle, WA (US)

(**) Term: **14 Years**

(21) Appl. No.: **29/362,614**

(22) Filed: **May 27, 2010**

(51) **LOC (9) Cl.** **07-99**

(52) **U.S. Cl.** **D7/392.1; D7/396.2; D7/900**

(58) **Field of Classification Search** D7/511,
D7/510, 392.1, 396.2, 900, 391; 215/343,
215/DIG. 1; D9/443

See application file for complete search history.

(56) **References Cited**

U.S. PATENT DOCUMENTS

D271,284 S *	11/1983	Bainton	D9/438
D332,379 S *	1/1993	Murphy	D7/391
D448,971 S *	10/2001	Hughes	D7/392.1
D457,779 S *	5/2002	Gullickson et al.	D7/392.1
D463,211 S *	9/2002	Norris et al.	D7/396.2
D479,800 S *	9/2003	McRae	D9/443
D485,759 S *	1/2004	Janky et al.	D9/449
D511,457 S *	11/2005	Biesecker et al.	D9/443
D527,576 S *	9/2006	Gluck	D7/392.1
D534,762 S *	1/2007	Gluck	D7/392.1
D543,776 S *	6/2007	Yelland	D7/392.1
D548,006 S *	8/2007	Lapsker	D7/392.1

D582,206 S *	12/2008	Fuller	D7/392.1
D608,195 S *	1/2010	Germann	D9/443
D620,357 S *	7/2010	Jewett et al.	D9/443
D627,594 S *	11/2010	Boonprasop	D7/392.1
D632,522 S *	2/2011	Wahl et al.	D7/392.1
D643,245 S *	8/2011	Minarsch	D7/392.1
D643,249 S *	8/2011	Miller et al.	D7/510

OTHER PUBLICATIONS

U.S. Appl. No. 29/366,836, filed Jul. 30, 2010, Gilbert.

* cited by examiner

Primary Examiner — Marianne Pandozzi

(74) *Attorney, Agent, or Firm* — Davis Wright Tremaine
LLP; George C. Rondeau, Jr.

(57) **CLAIM**

The ornamental design for a beverage container closure, as shown and described.

DESCRIPTION

FIG. 1 is a top front perspective view of a beverage container closure showing my new design.

FIG. 2 is a left side elevational view thereof.

FIG. 3 is a right side elevational view thereof.

FIG. 4 is a front elevational view thereof.

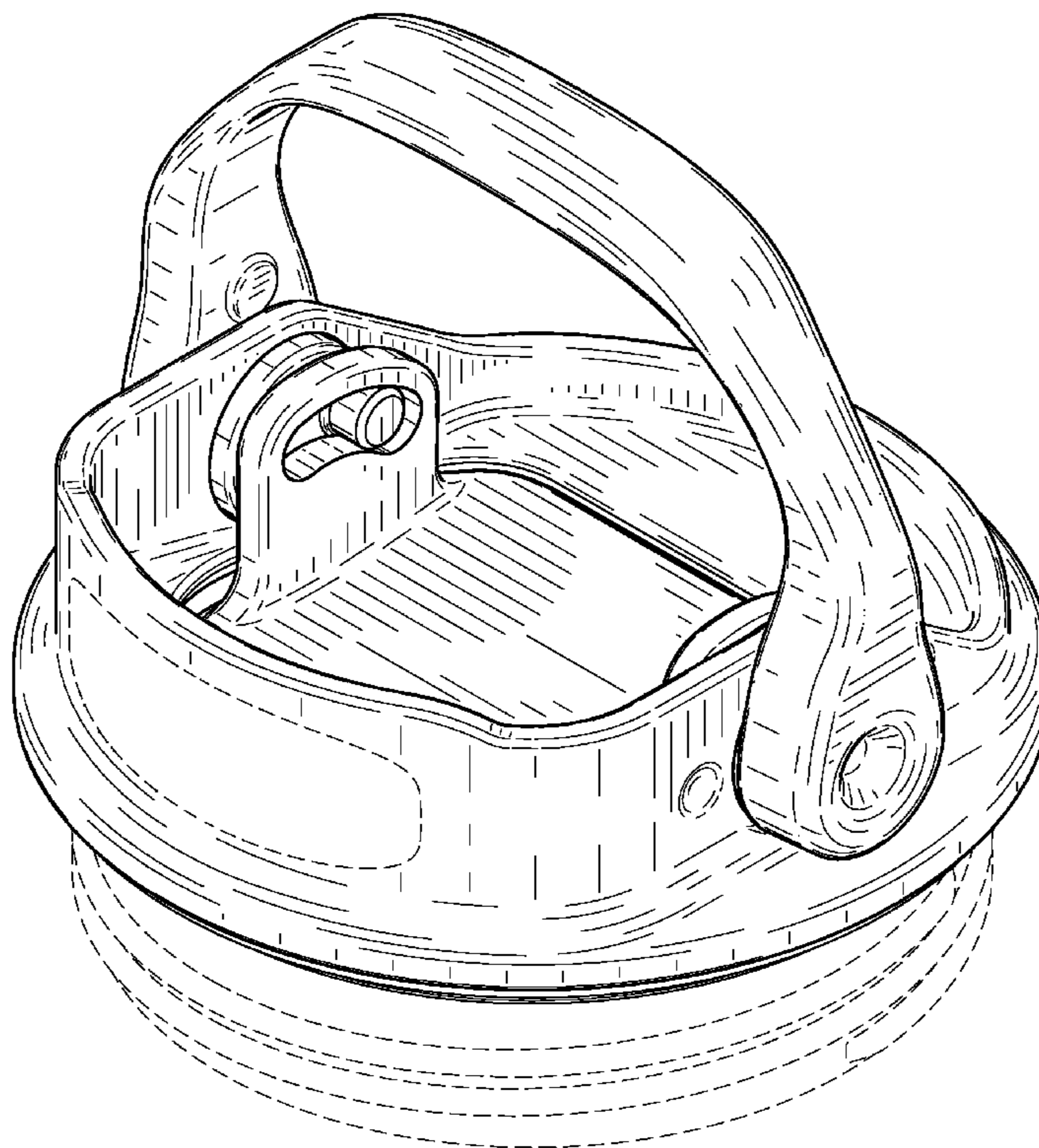
FIG. 5 is a rear elevational view thereof.

FIG. 6 is a top plan view thereof; and,

FIG. 7 is a bottom plan view thereof.

The broken lines represent portions of the beverage container closure that form no part of the claim.

1 Claim, 7 Drawing Sheets



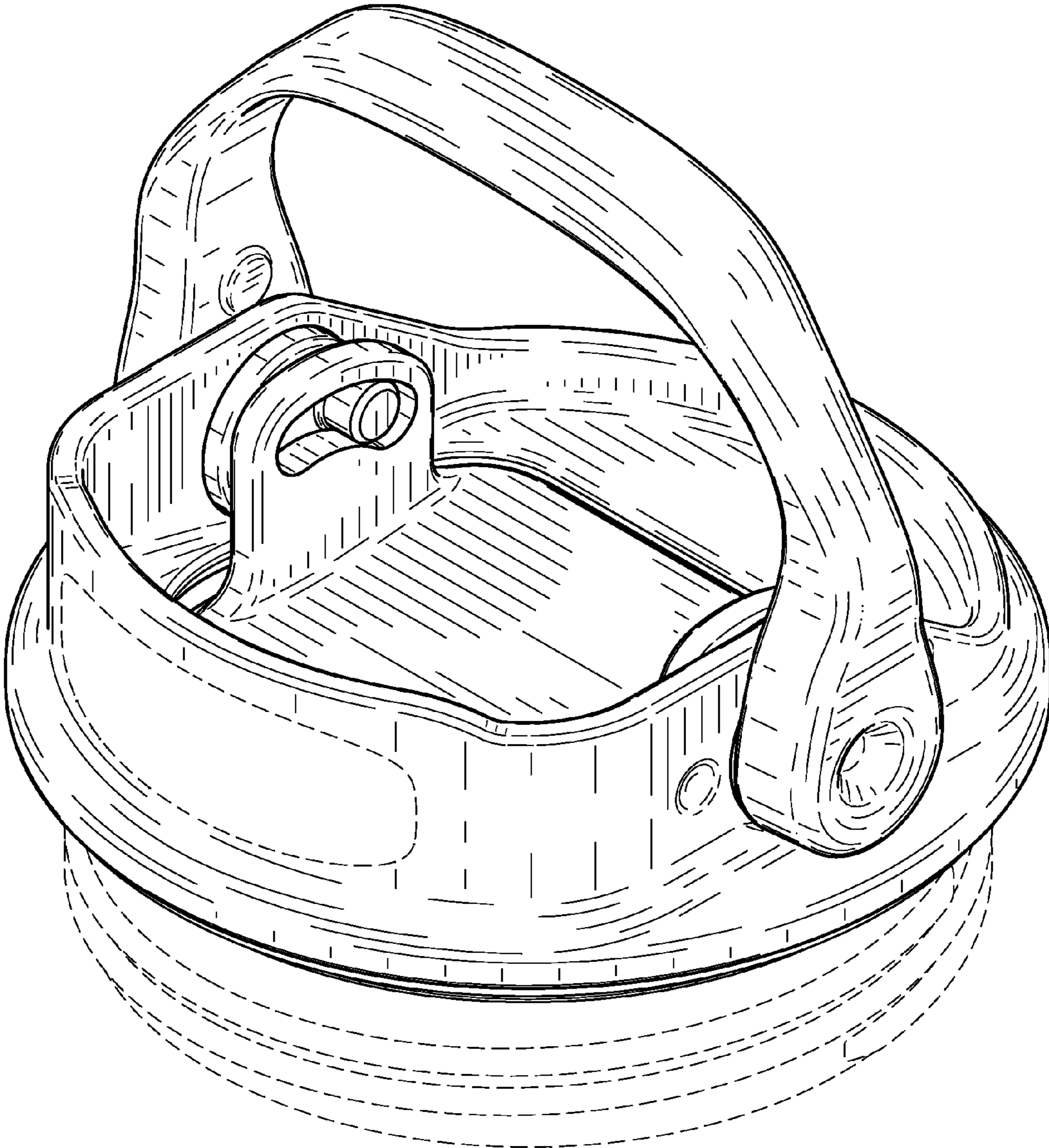


Fig. 1

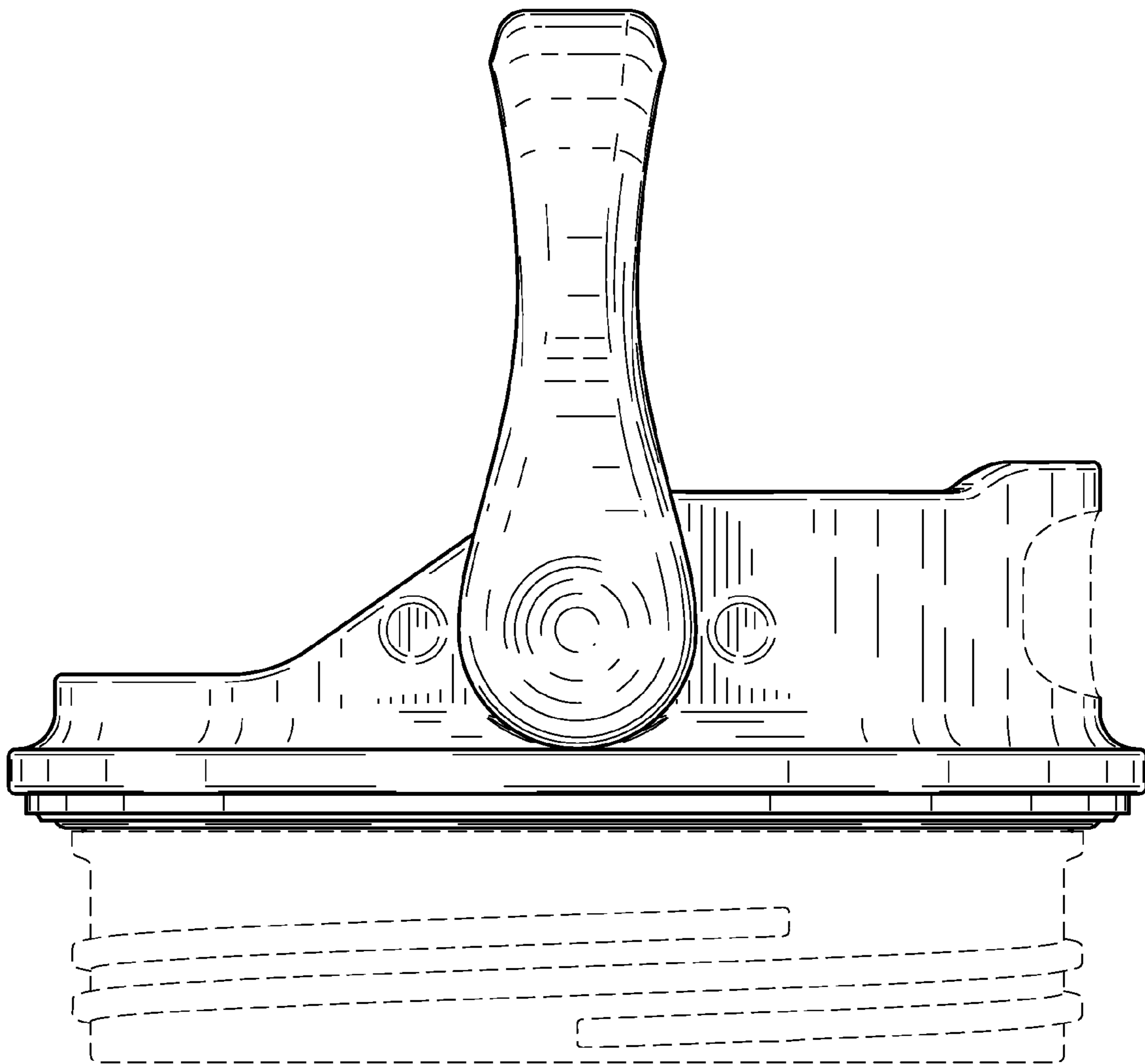


Fig. 2

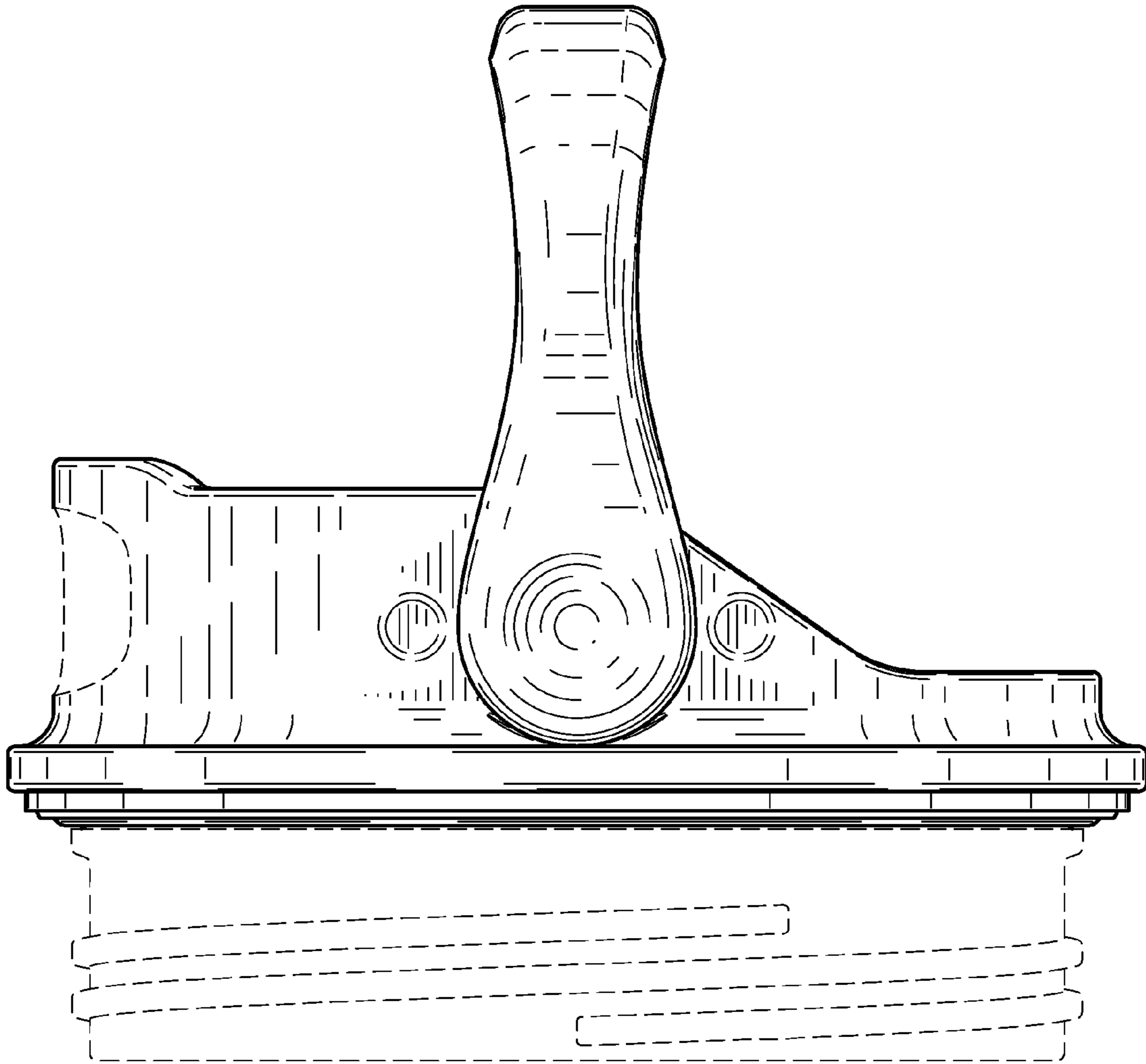


Fig. 3

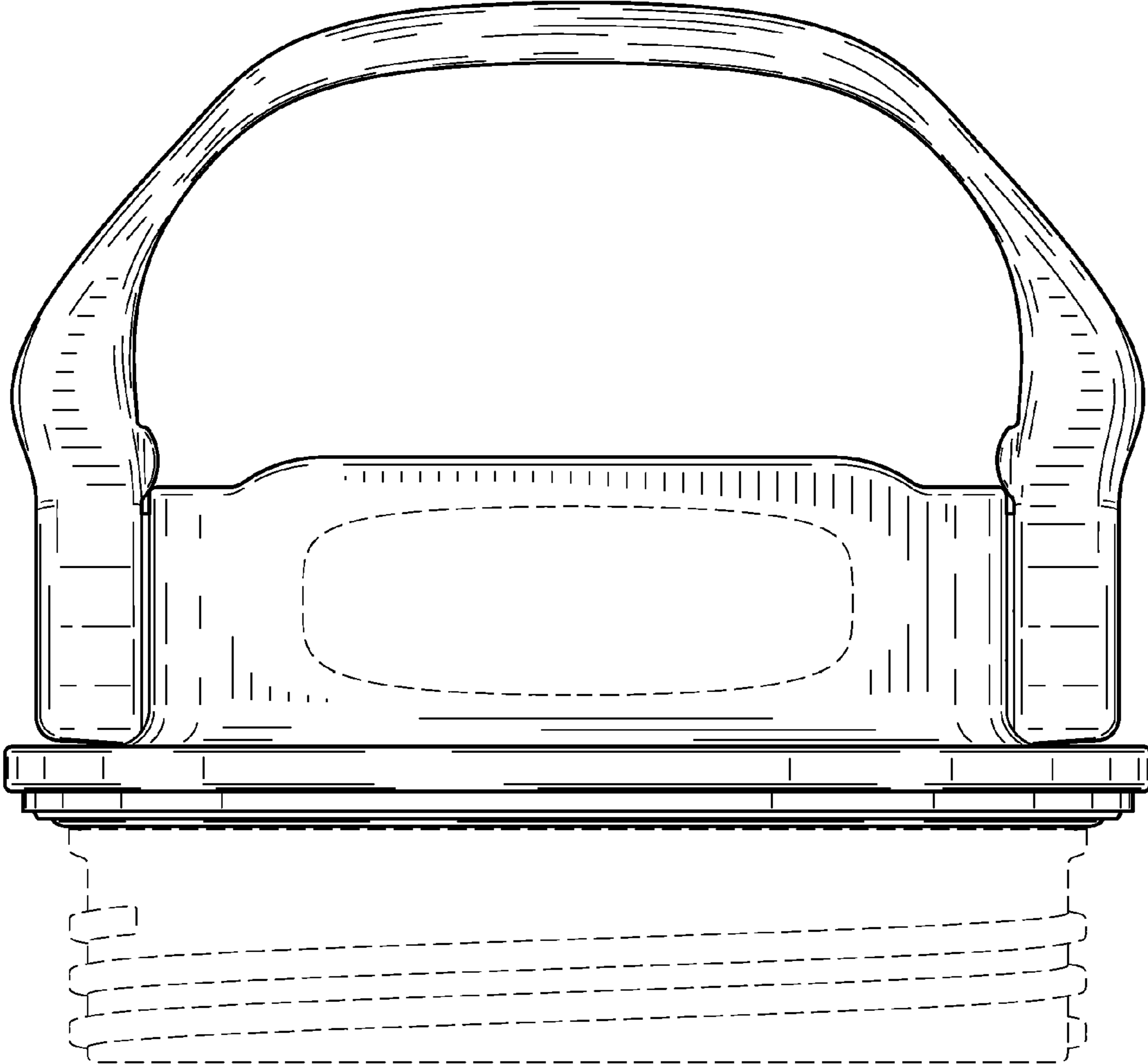


Fig. 4

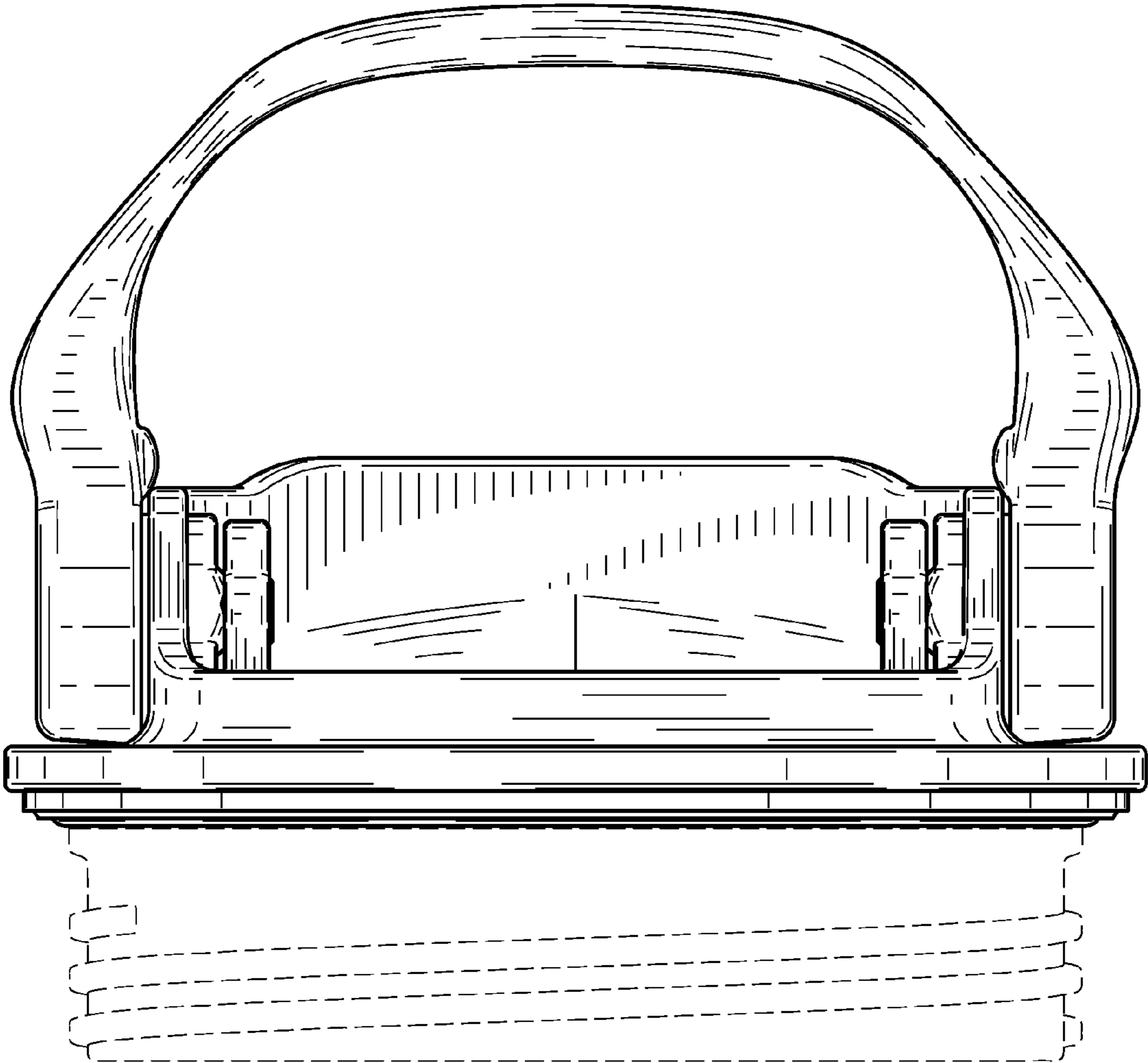


Fig. 5

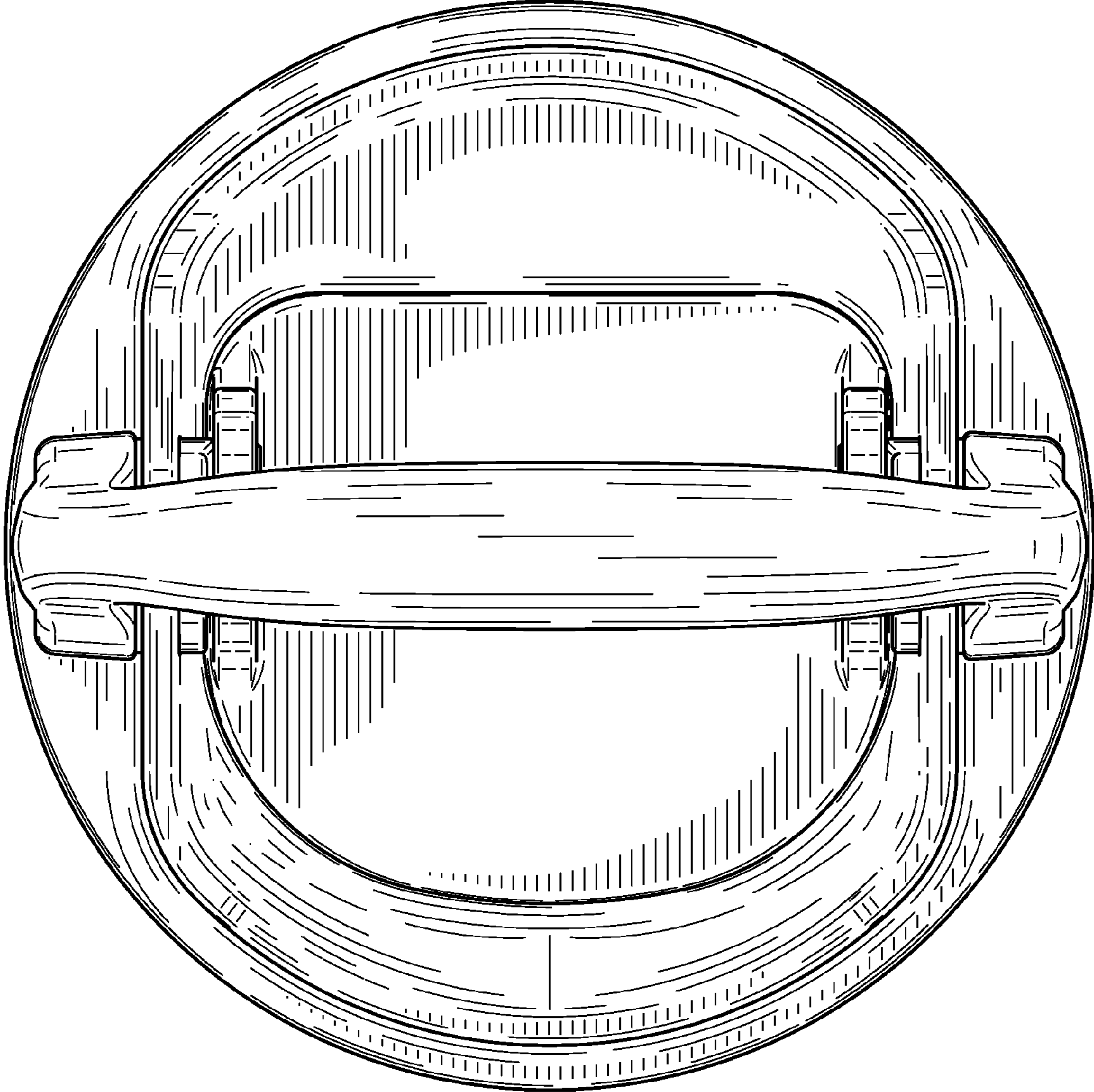


Fig. 6

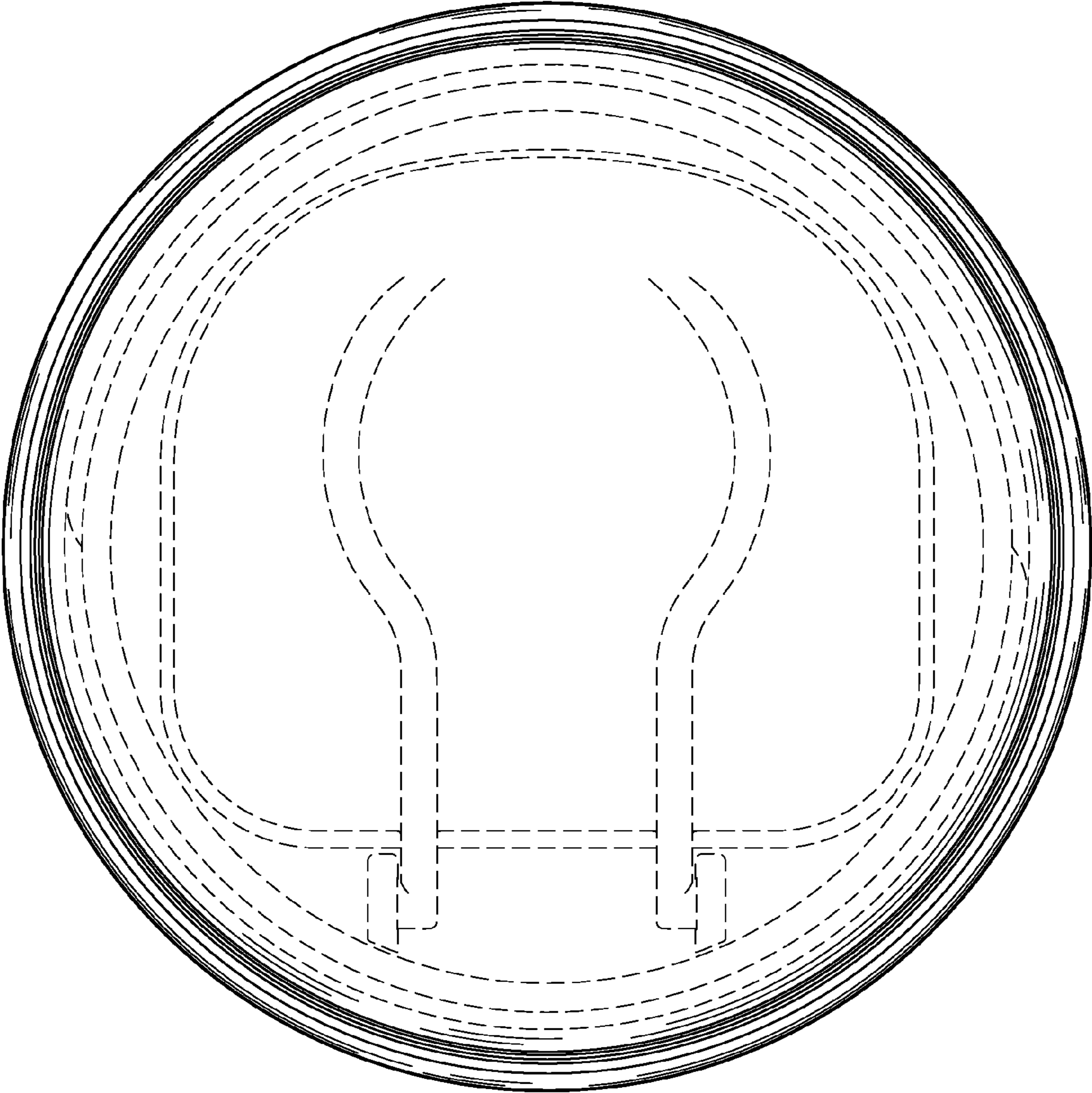


Fig. 7