



US00D651845S

(12) **United States Design Patent**
O'Neill et al.

(10) **Patent No.:** **US D651,845 S**

(45) **Date of Patent:** **** Jan. 10, 2012**

(54) **SLOW COOKER**

(75) Inventors: **Eric O'Neill**, Boynton Beach, FL (US);
Stephen Jones, Sandy Springs, GA
(US); **Maureen Carroll**, Atlanta, GA
(US)

(73) Assignee: **Sunbeam Products, Inc.**, Boca Raton,
FL (US)

(**) Term: **14 Years**

(21) Appl. No.: **29/382,206**

(22) Filed: **Dec. 30, 2010**

(51) **LOC (9) Cl.** **07-02**

(52) **U.S. Cl.** **D7/364; D7/254; D7/362**

(58) **Field of Classification Search** D7/323,
D7/329-331, 339, 346-347, 350.1-350.4,
D7/353-367, 391, 393, 395, 402, 406, 538,
D7/542; 99/324-325, 331-332, 337-340,
99/369, 400-418, 422, 425, 444, 483; 126/37 R,
126/261, 374.1, 378.1; 206/501-505, 507-508;
219/387, 400, 405, 417, 429-442, 452.11,
219/620-624, 725, 730-735; 220/203.05,
220/203.07, 203.09, 298, 315-316, 573.1-573.5,
220/912; 426/438, 441

See application file for complete search history.

(56) **References Cited**

U.S. PATENT DOCUMENTS

D90,947	S	*	10/1933	Guild	D7/357
D97,530	S	*	11/1935	Knapp	D7/364
D101,329	S	*	9/1936	Cory	D7/364
D132,252	S	*	5/1942	Faunce	D7/353
4,145,603	A	*	3/1979	Mackay et al.	219/387
D333,064	S	*	2/1993	Sorrel	D7/364
D513,151	S	*	12/2005	Currie	D7/364
D566,459	S	*	4/2008	Doo	D7/364
D567,016	S	*	4/2008	Chan	D7/364
D610,395	S	*	2/2010	Perkins	D7/364
D614,909	S	*	5/2010	Lavy	D7/355
D617,134	S	*	6/2010	Perkins	D7/364
D642,424	S	*	8/2011	Lavy et al.	D7/364

* cited by examiner

Primary Examiner — Ricky Pham

(74) *Attorney, Agent, or Firm* — Michael J. Corrigan

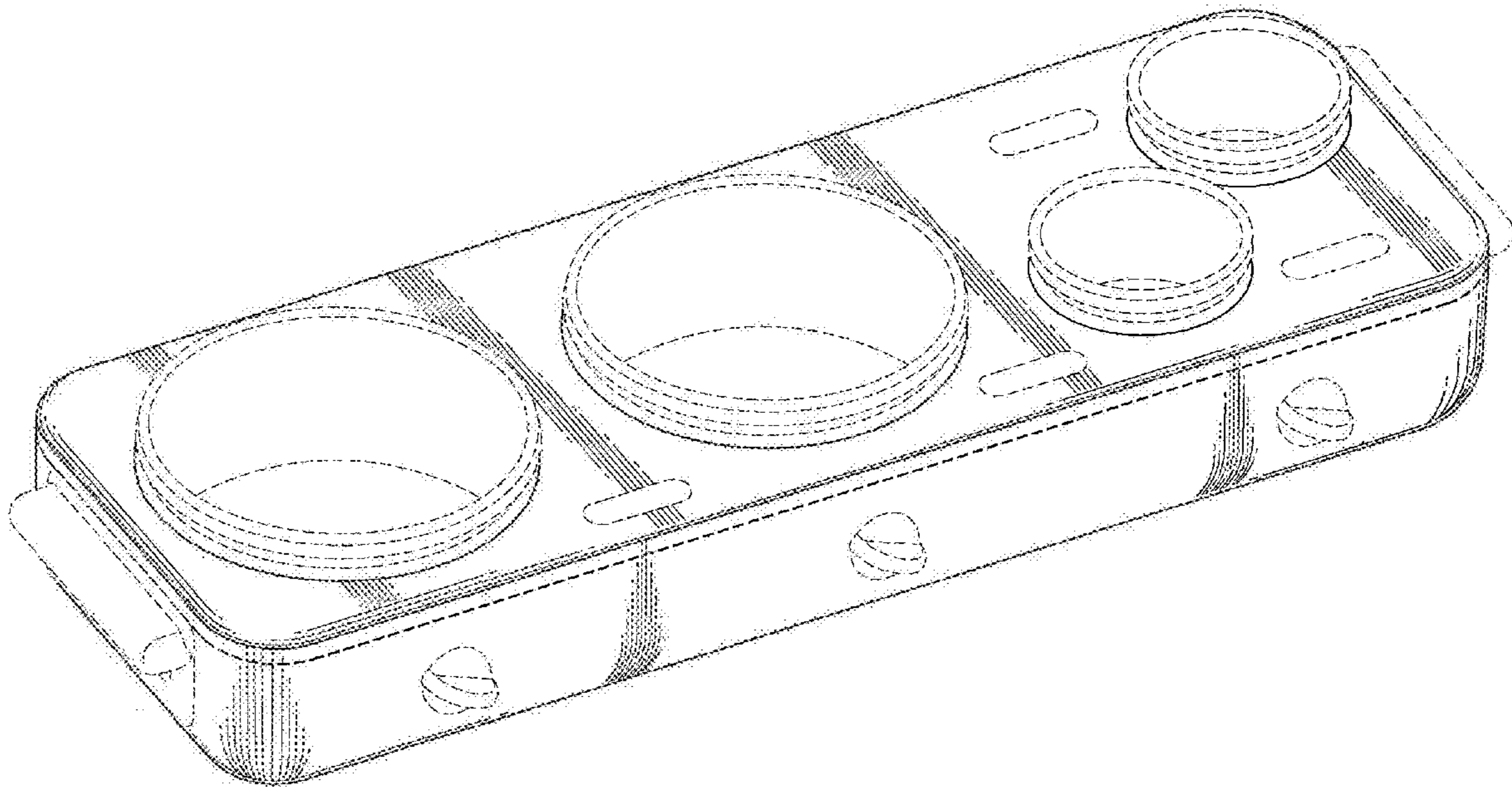
(57) **CLAIM**

The ornamental design for a slow cooker, as shown and described.

DESCRIPTION

FIG. 1 is a front perspective view of a slow cooker;
FIG. 2 is a front view thereof;
FIG. 3 is a rear view thereof;
FIG. 4 is a left side view thereof;
FIG. 5 is a right side view thereof;
FIG. 6 is a top plan view thereof; and,
FIG. 7 is another front perspective view thereof.
The broken lines shown in the drawings are for illustrative purposes only and form no part of the claimed design.

1 Claim, 5 Drawing Sheets



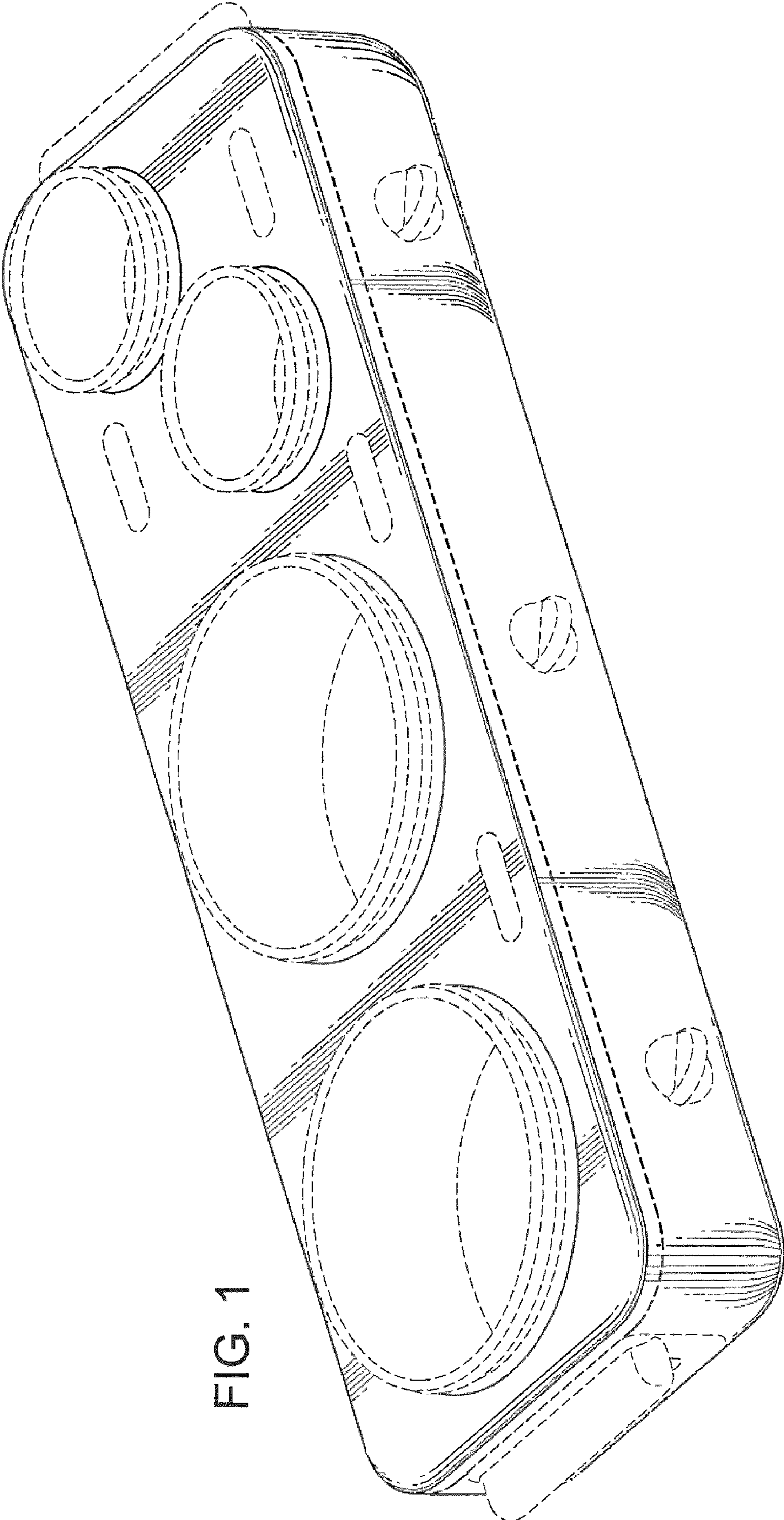


FIG. 1

FIG. 2

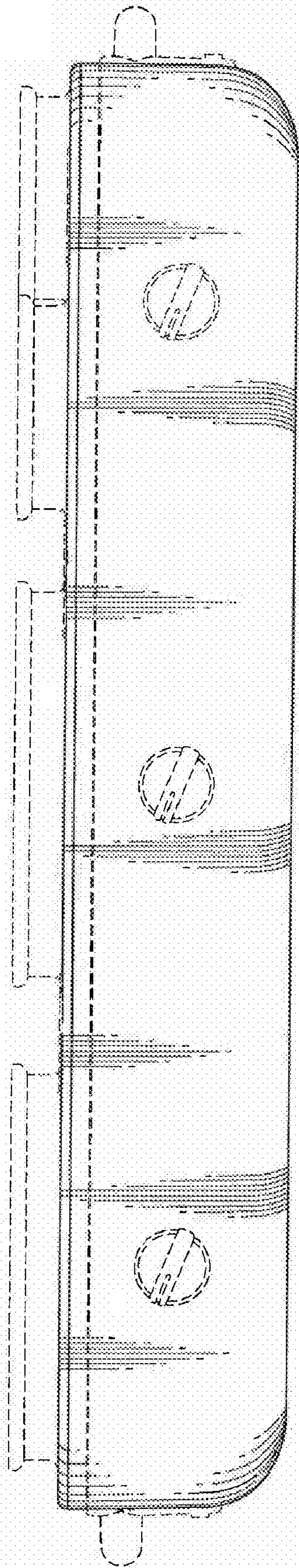


FIG. 3

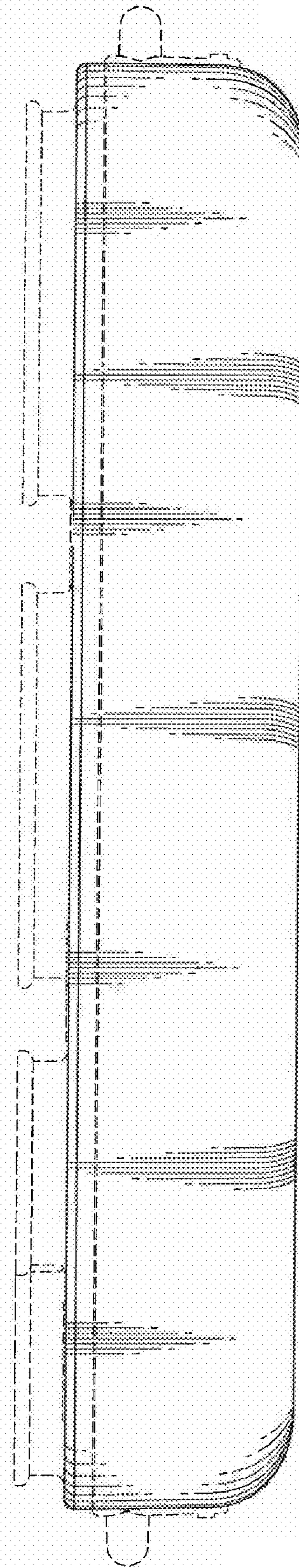


FIG. 4

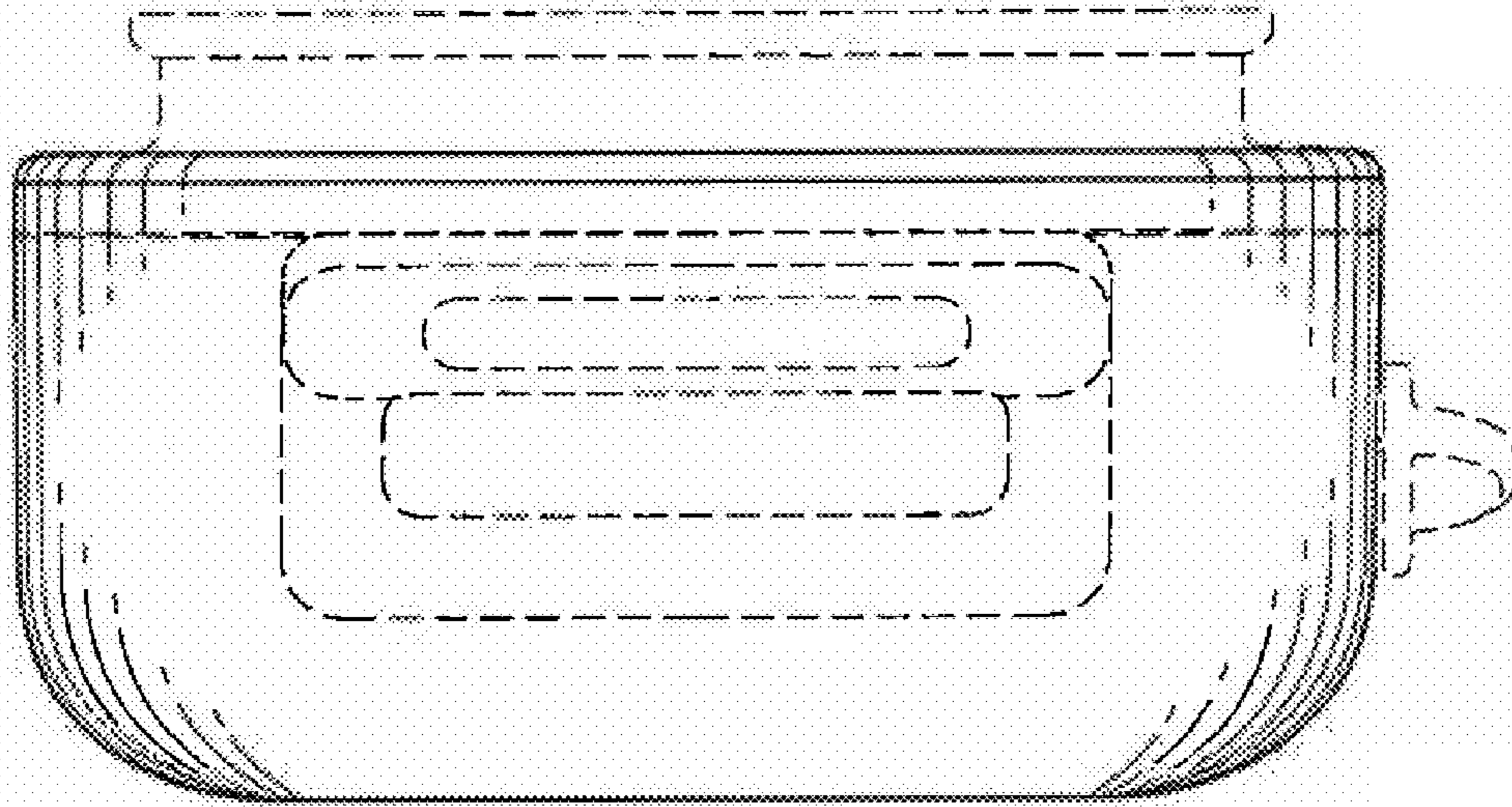


FIG. 5

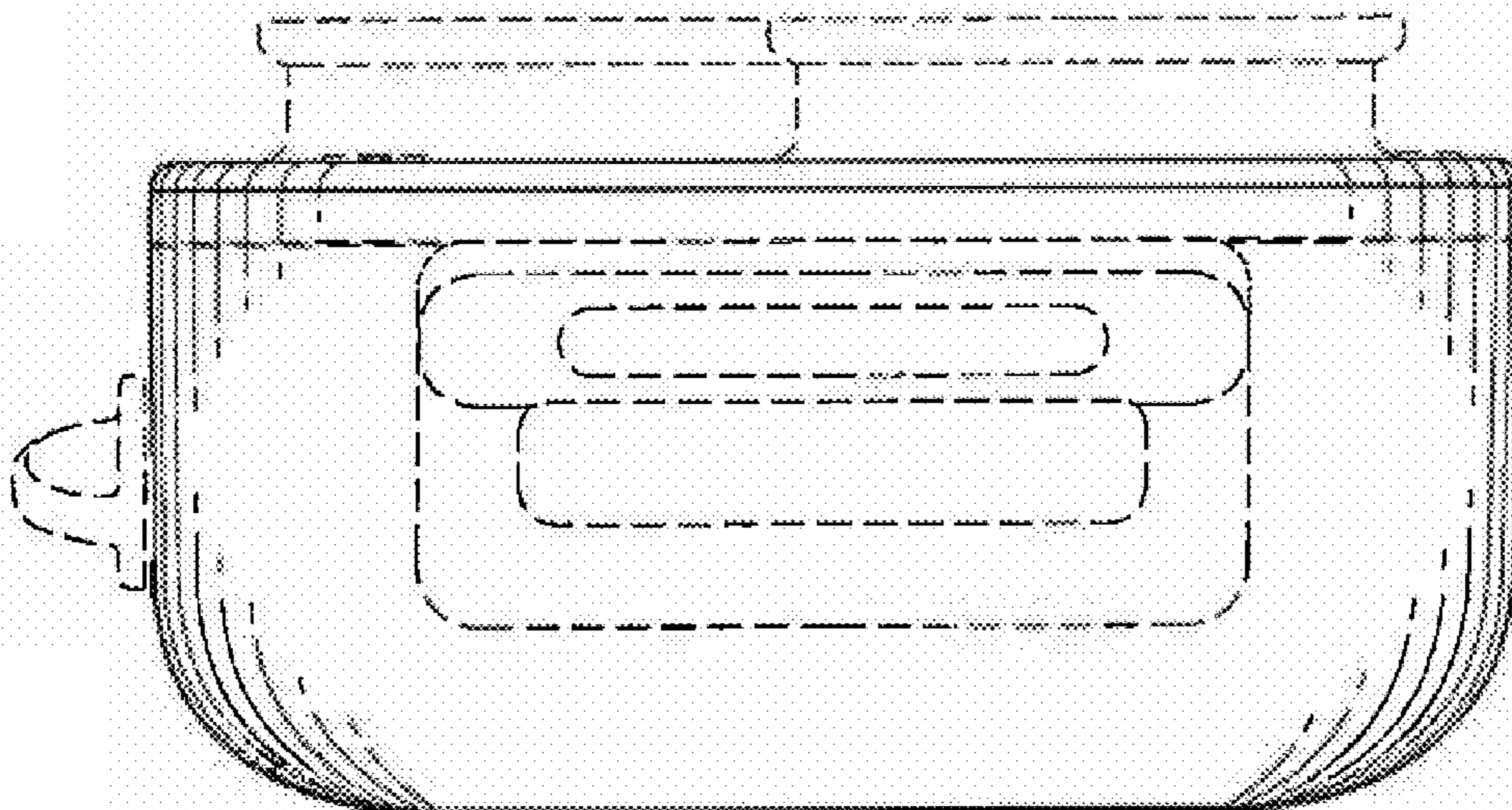
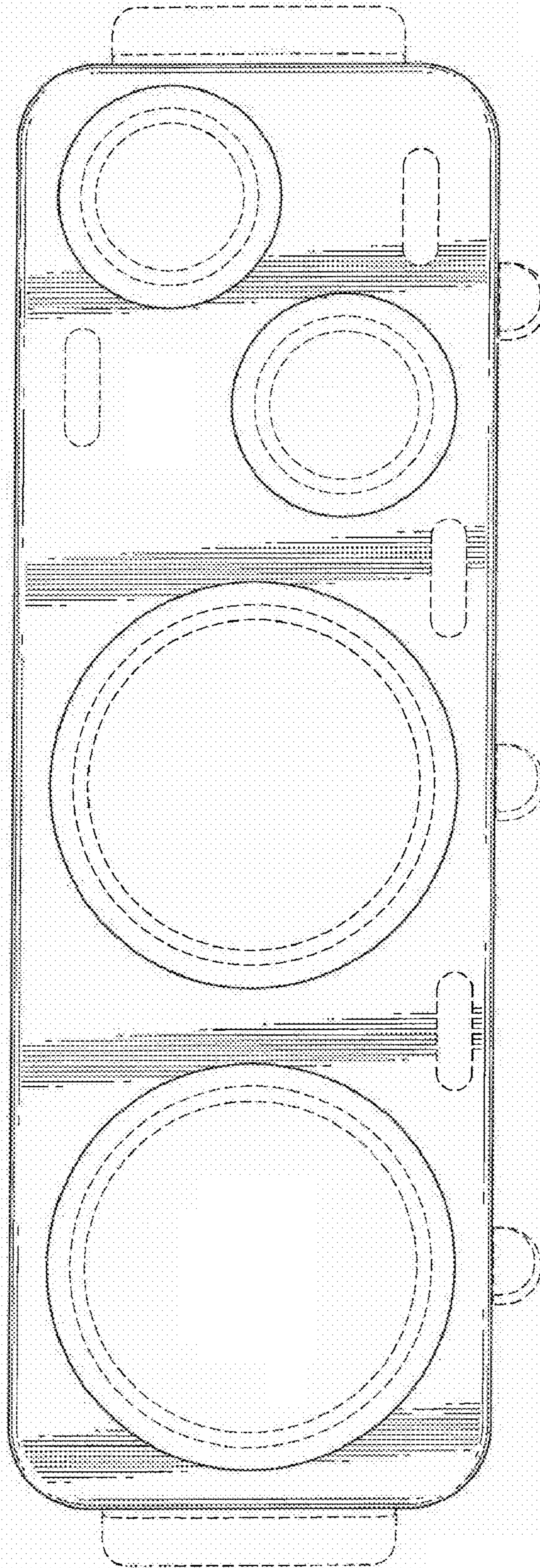


FIG. 6



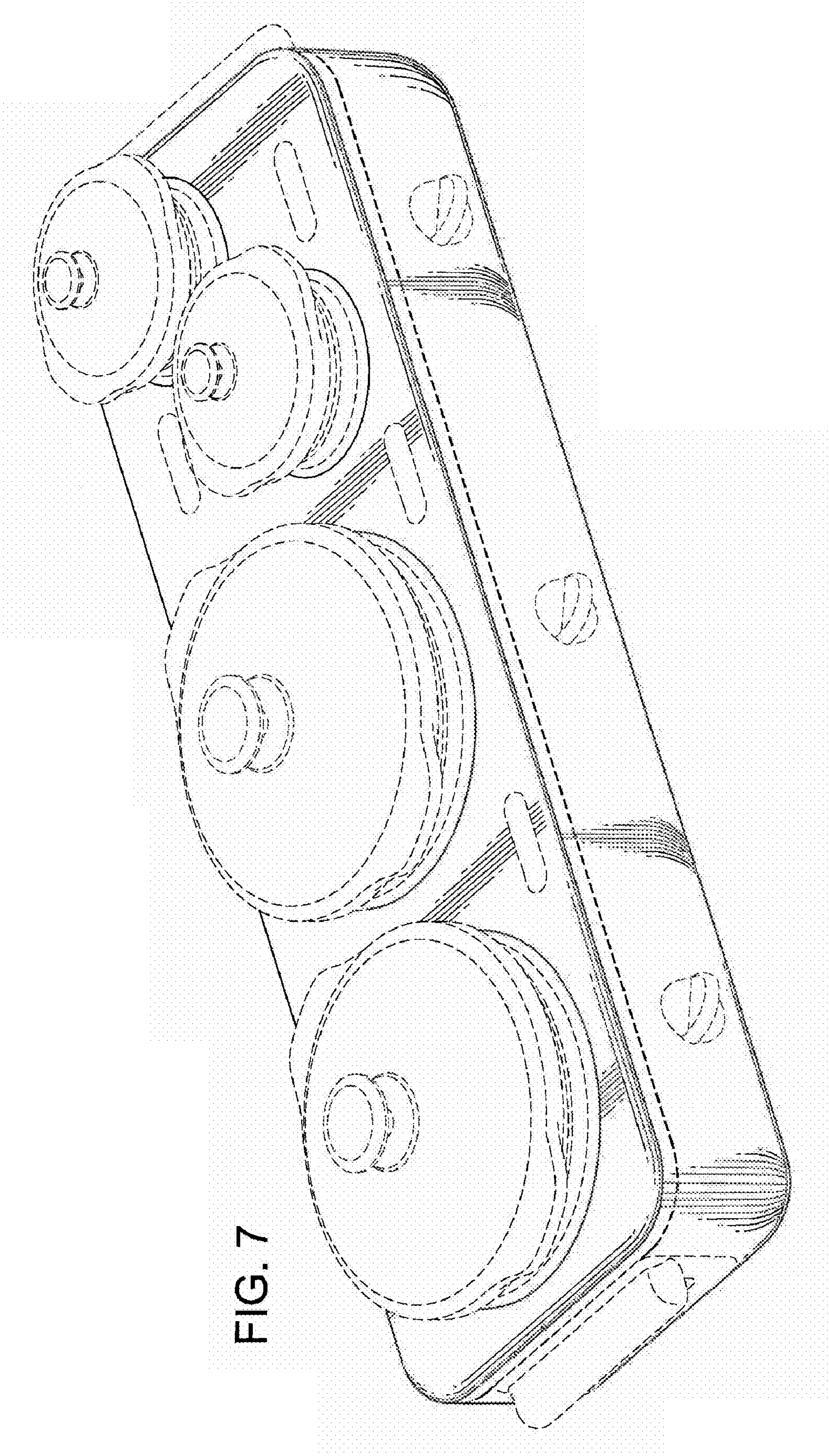


FIG. 7