



US00D651844S

(12) **United States Design Patent**  
**Cloutier et al.**

(10) **Patent No.:** **US D651,844 S**

(45) **Date of Patent:** **\*\* Jan. 10, 2012**

(54) **PERFORATED COOKING PAN**

(56)

**References Cited**

(75) Inventors: **Andre Dean Cloutier**, Blaine, WA (US);  
**Adriana Phillips**, Bellingham, WA  
(US); **Debra Lynne Sasken-Duff**,  
Blaine, WA (US)

(73) Assignee: **Magellan Group Ltd**, Blaine, WA (US)

(\*\*) Term: **14 Years**

(21) Appl. No.: **29/396,699**

(22) Filed: **Jul. 6, 2011**

(51) **LOC (9) Cl.** ..... **07-02**

(52) **U.S. Cl.** ..... **D7/361; D7/354**

(58) **Field of Classification Search** ..... D7/323,  
D7/329-332, 337, 339, 346-347, 350.1-350.4,  
D7/354-363, 391, 393, 395, 402, 408-409,  
D7/505, 538, 542, 549, 587, 667; 99/324-325,  
99/331-332, 337-340, 396, 400-418, 425,  
99/444-446, 450; 119/161, 166; 126/9 R,  
126/25 A, 25 R, 41 R, 166, 275 R, 332, 380.1,  
126/390.1; 206/501-505, 507-508; 219/400,  
219/405, 435-442, 620-624, 725, 730-735;  
220/485, 491, 573.1-573.5, 759, 912; 426/438,  
426/441, 523

See application file for complete search history.

U.S. PATENT DOCUMENTS

201,959	A *	4/1878	Stockwell et al.	220/485
1,216,973	A *	2/1917	Ephrecht	99/425
2,534,407	A *	12/1950	Bramberry, Jr.	126/390.1
D249,924	S *	10/1978	Fischer	D7/409
D359,887	S *	7/1995	Hasuike	D7/667
D372,395	S *	8/1996	Candianides	D7/361
D374,149	S *	10/1996	Candianides	D7/359
D431,151	S *	9/2000	Brunianyn	D7/359
6,523,460	B1 *	2/2003	Lange	99/340
D639,604	S *	6/2011	Degnan	D7/361
D639,605	S *	6/2011	Degnan	D7/361

\* cited by examiner

*Primary Examiner* — Ricky Pham

(74) *Attorney, Agent, or Firm* — Dwayne E. Rogge; Hughes Law Firm, PLLC

(57) **CLAIM**

The ornamental design for a perforated cooking pan, as shown and described.

**DESCRIPTION**

FIG. 1 is an isometric view of a perforated cooking pan showing our new design.

FIG. 2 is a top view thereof.

FIG. 3 is a bottom view thereof.

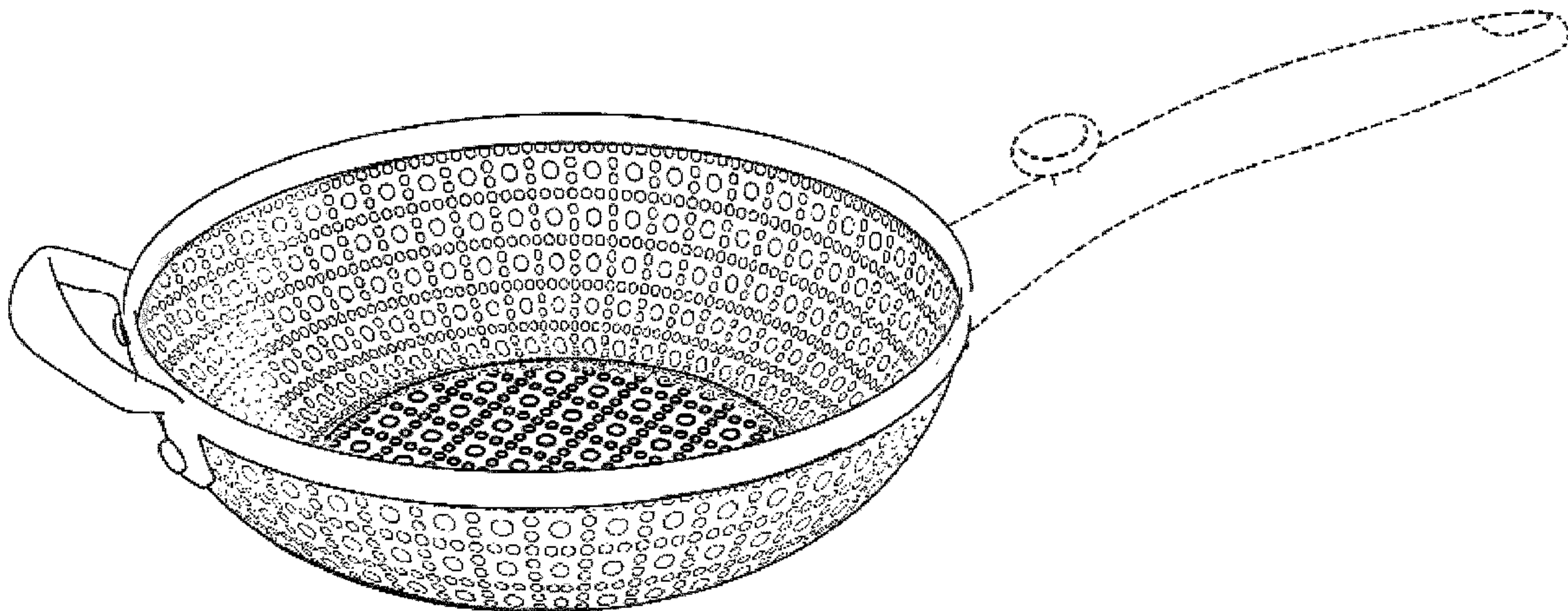
FIG. 4 is a side view thereof with both sides being substantially identical.

FIG. 5 is an enlarged front view thereof; and,

FIG. 6 is an enlarged rear view thereof.

The broken lines shown in the drawings are for illustrative purposes only and form no part of the claimed design.

**1 Claim, 6 Drawing Sheets**



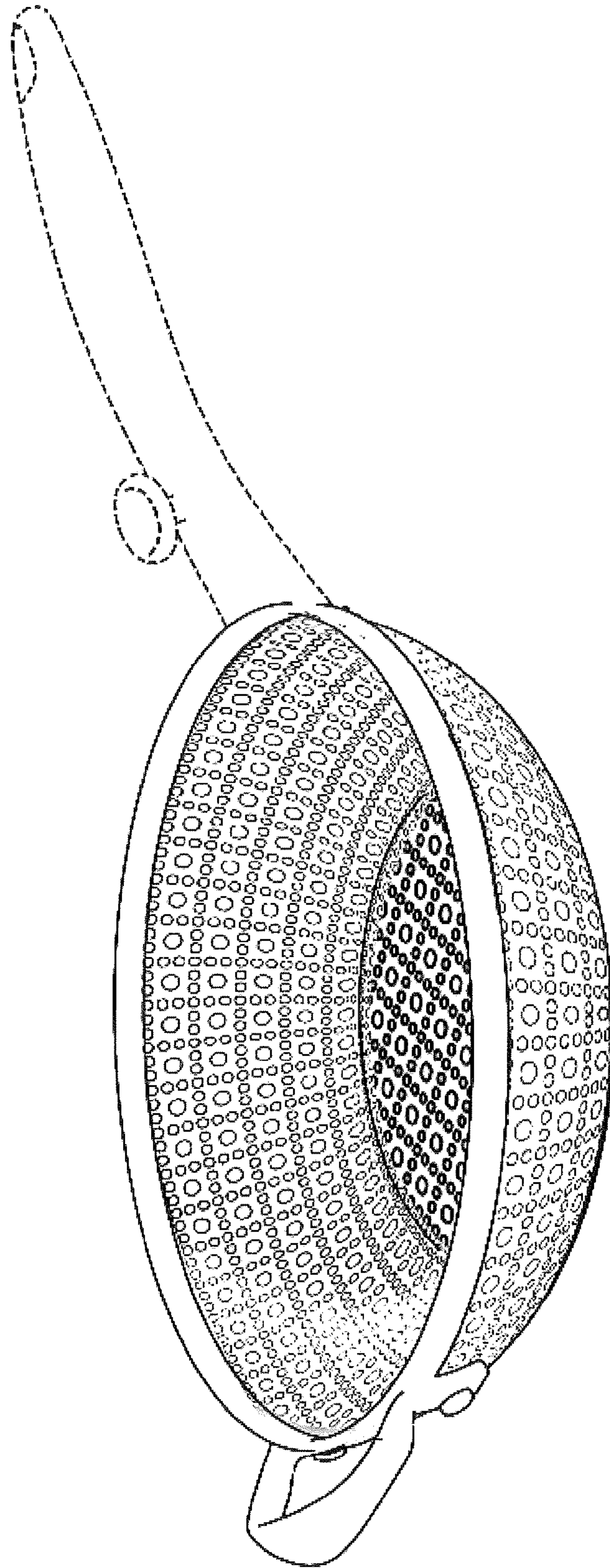


Fig. 1



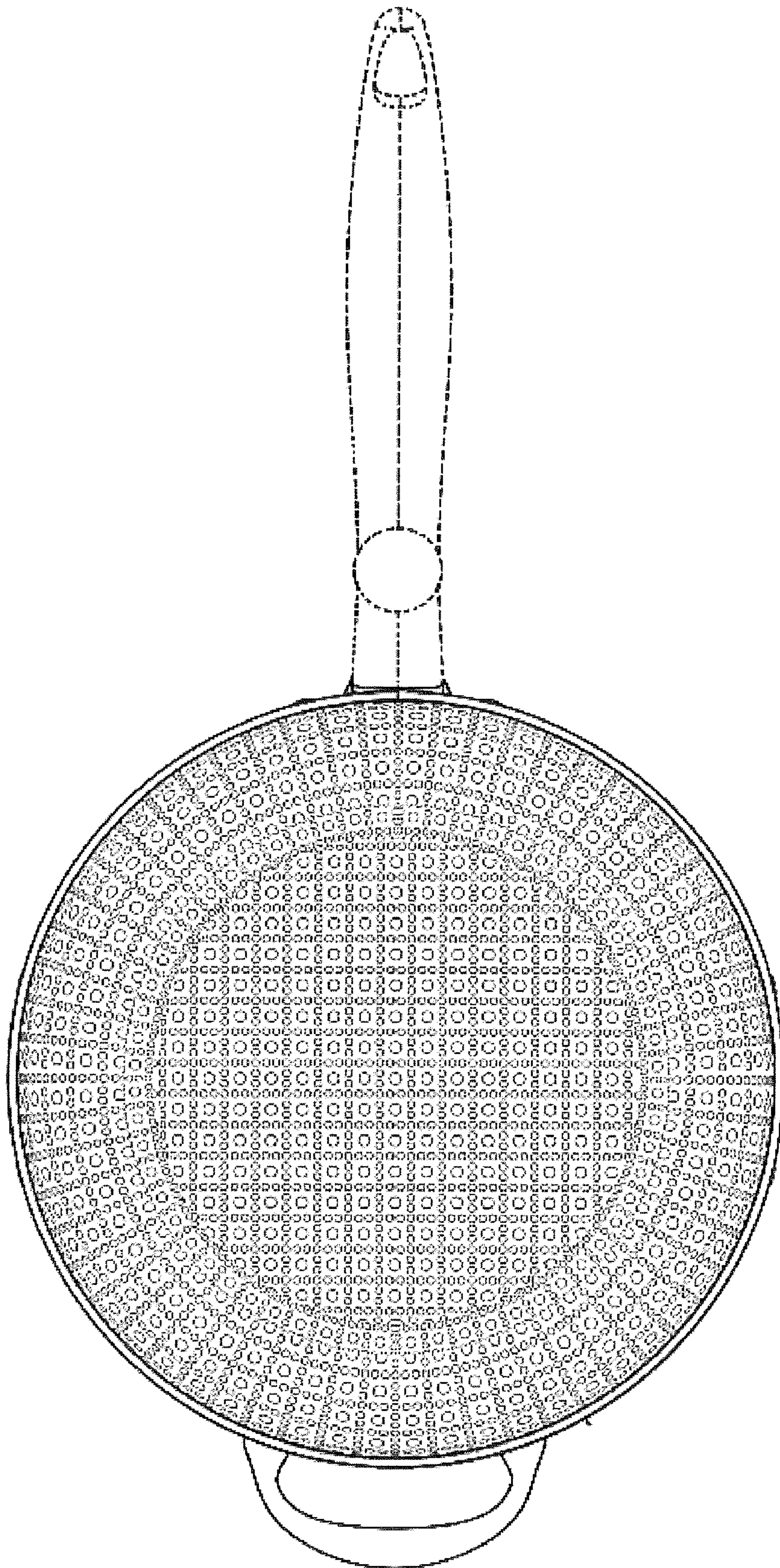


Fig. 2



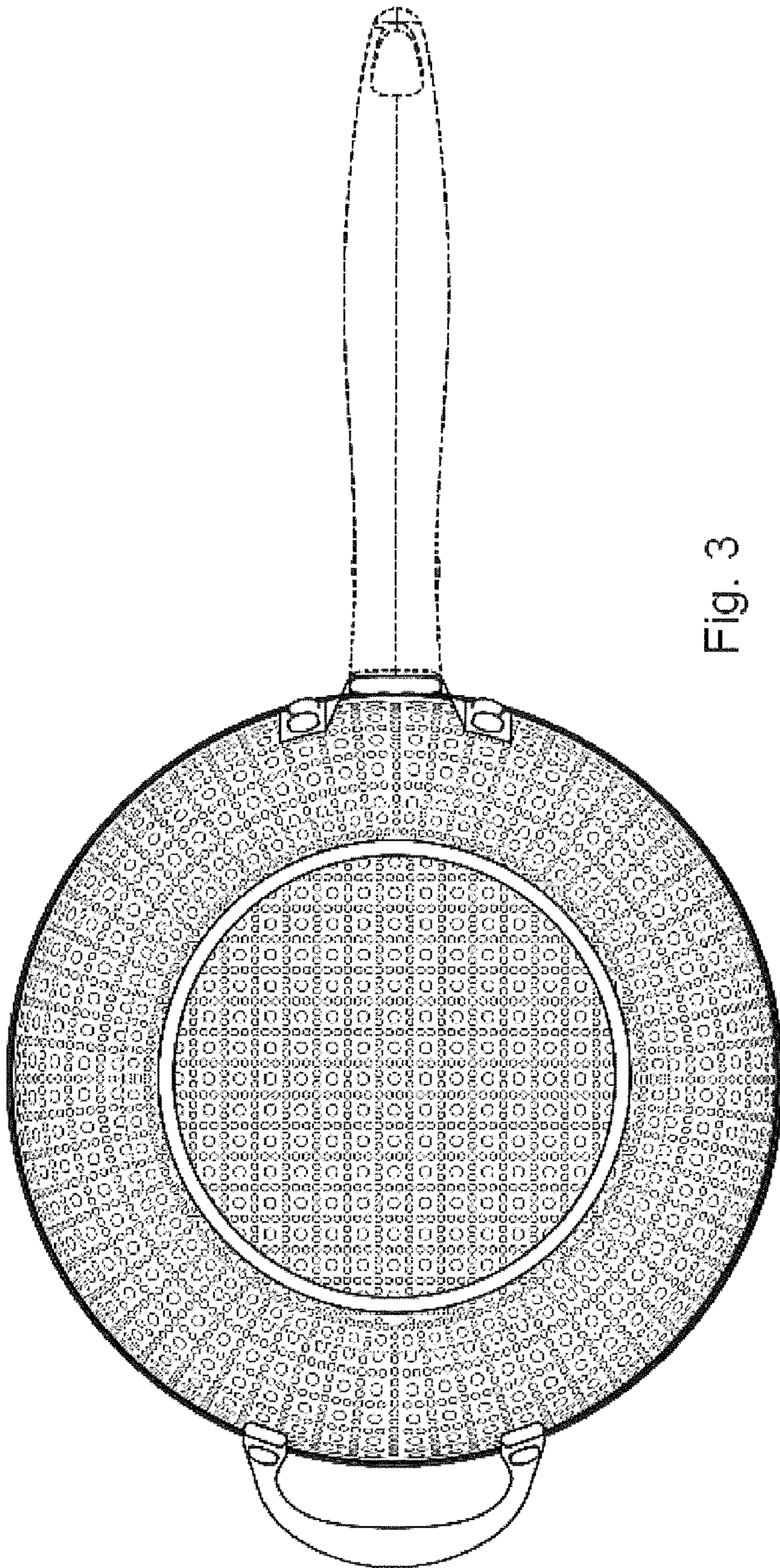


Fig. 3

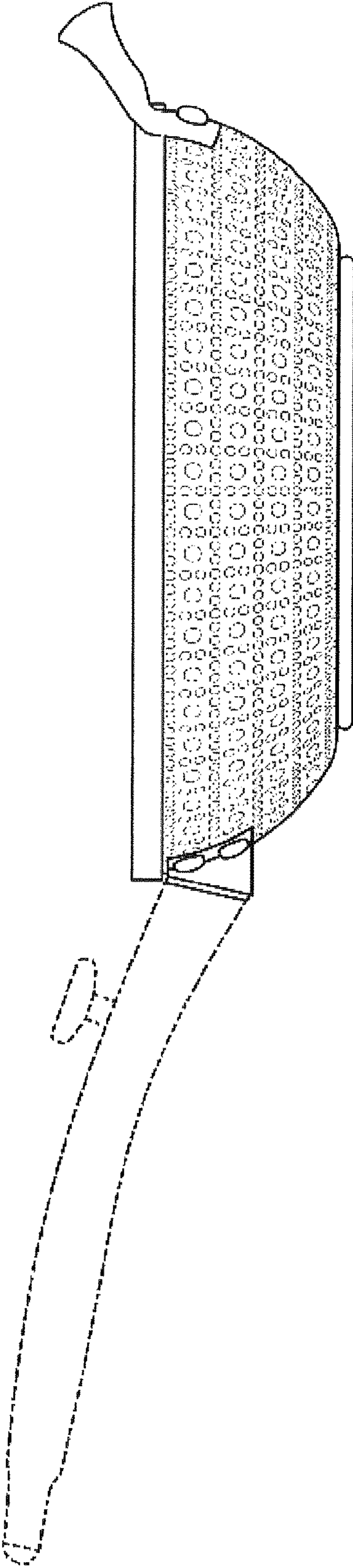


Fig. 4



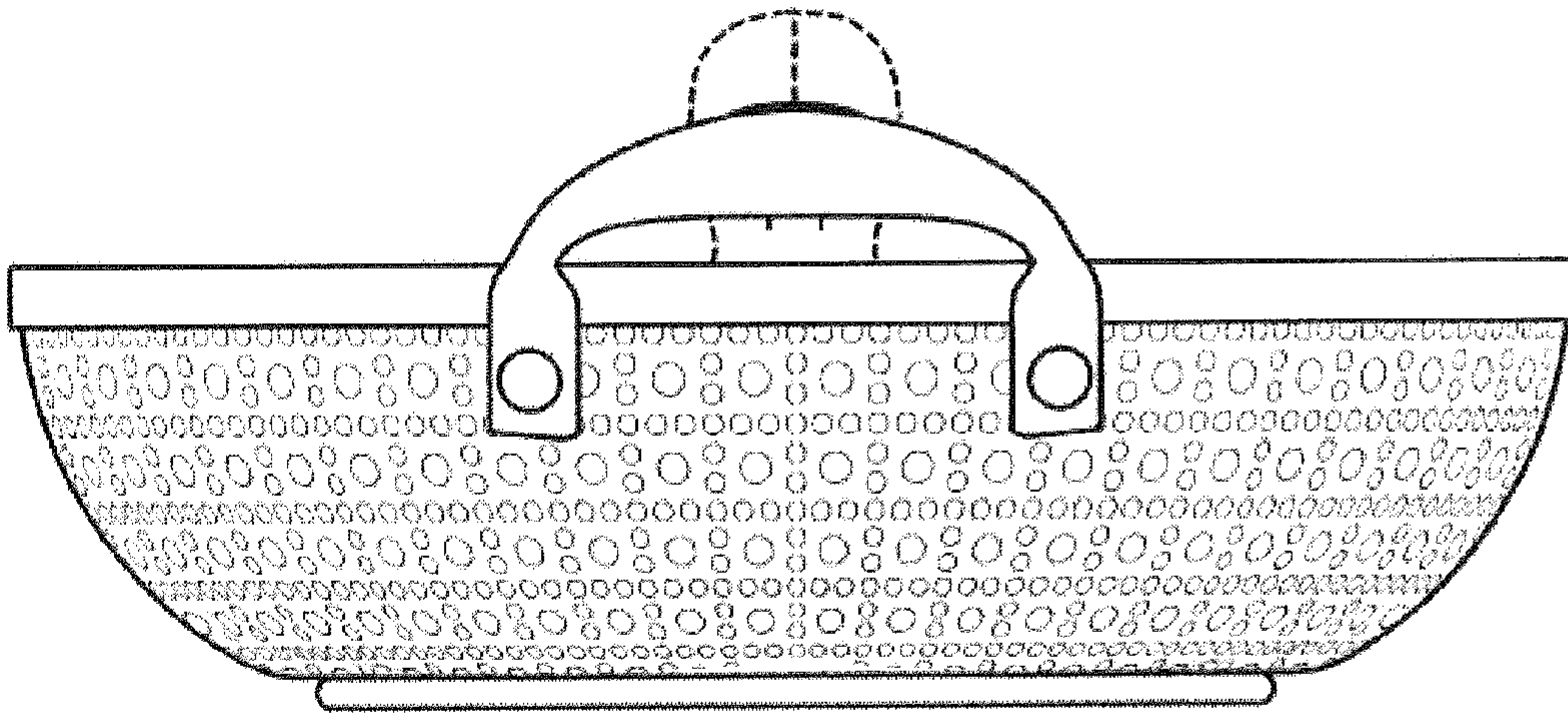


Fig. 5

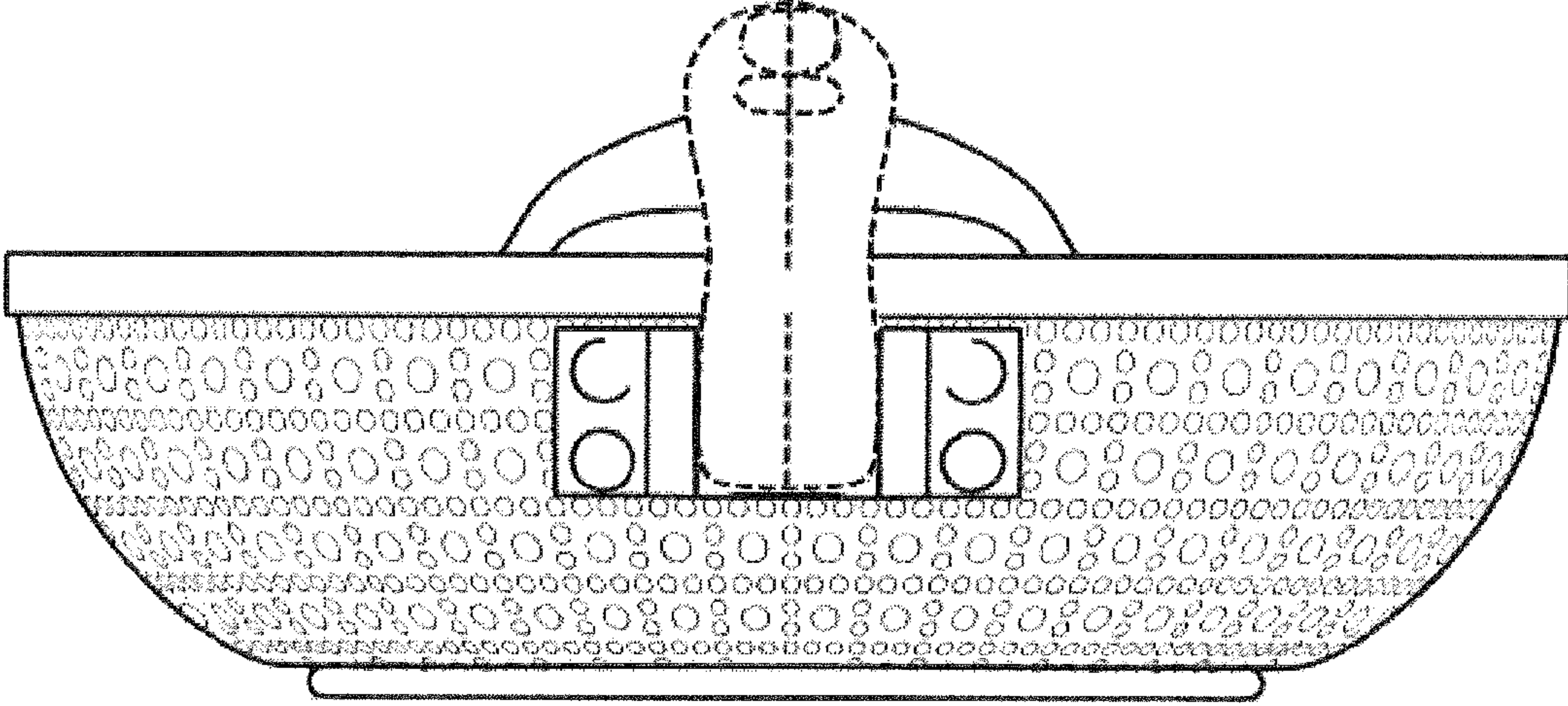


Fig. 6