



US00D651842S

(12) **United States Design Patent**
Spear et al.

(10) **Patent No.:** **US D651,842 S**
(45) **Date of Patent:** **** Jan. 10, 2012**

(54) **WATER COOLER**

(75) Inventors: **Gregory N. Spear**, Los Angeles, CA (US); **Chun Yen Wang**, Ormond Beach, FL (US); **Hung-Hsiang Chen**, Taipei (TW)

(73) Assignee: **MTN Products, Inc.**, Laverne, CA (US)

(**) Term: **14 Years**

(21) Appl. No.: **29/366,133**

(22) Filed: **Aug. 2, 2010**

Related U.S. Application Data

(62) Division of application No. 29/304,897, filed on Mar. 10, 2008, now Pat. No. Des. 608,129.

(51) **LOC (9) Cl.** **07-01**

(52) **U.S. Cl.** **D7/306; D7/313**

(58) **Field of Classification Search** D7/300, D7/304-311, 313, 312; 222/325, 185.1
See application file for complete search history.

(56) **References Cited**

U.S. PATENT DOCUMENTS

D256,124 S *	7/1980	Adamson et al.	D15/82
D317,544 S *	6/1991	Birmingham	D7/307
D350,453 S *	9/1994	Chaney	D7/306
D350,667 S *	9/1994	Saltet	D7/309
D359,649 S *	6/1995	Salkeld et al.	D7/307
D366,179 S *	1/1996	Hauser et al.	D7/307
D366,803 S *	2/1996	Hauser et al.	D7/307
D367,797 S *	3/1996	Hauser et al.	D7/307
D399,088 S *	10/1998	Chaney	D7/307
5,927,557 A *	7/1999	Busick et al.	222/185.1
D419,821 S *	2/2000	Powell et al.	D7/309
D442,010 S *	5/2001	Collin et al.	D7/306
D450,214 S *	11/2001	Woebcke et al.	D7/306

D450,520 S *	11/2001	Saltet	D7/309
D498,969 S *	11/2004	Nicol	D7/306
6,912,867 B2 *	7/2005	Busick	62/338
D524,588 S *	7/2006	Copland	D7/309
D554,930 S *	11/2007	Lavy	D7/307
D557,059 S *	12/2007	Lin	D7/309
D571,141 S *	6/2008	Roosmalen et al.	D7/307
D580,207 S *	11/2008	Moon et al.	D7/307
D582,194 S *	12/2008	Wang	D7/313
D585,690 S *	2/2009	Dammkoehler	D7/307
D608,130 S *	1/2010	Moon et al.	D7/306
D635,812 S *	4/2011	Wang	D7/306
2005/0188855 A1 *	9/2005	Tang	99/279

* cited by examiner

Primary Examiner — Marianne Pandozzi

(74) *Attorney, Agent, or Firm* — Michael P. Mazza, LLC

(57) **CLAIM**

The ornamental design for a water cooler, as shown and described.

DESCRIPTION

FIG. 1 is a perspective view of a water cooler showing our new design;

FIG. 2 is a front view thereof;

FIG. 3 is a right side view thereof;

FIG. 4 is a left side view thereof;

FIG. 5 is a rear view thereof;

FIG. 6 is a top plan view thereof;

FIG. 7 is a bottom plan view thereof;

FIG. 8 is an in-use perspective view thereof showing a fold out support tray; and,

FIG. 9 is a perspective view of a water cooler showing a second embodiment of my new design with stippling indicating contrasting color and texture.

The broken lines in the drawings are included for the purpose of illustration and form no part of the claimed design.

1 Claim, 5 Drawing Sheets

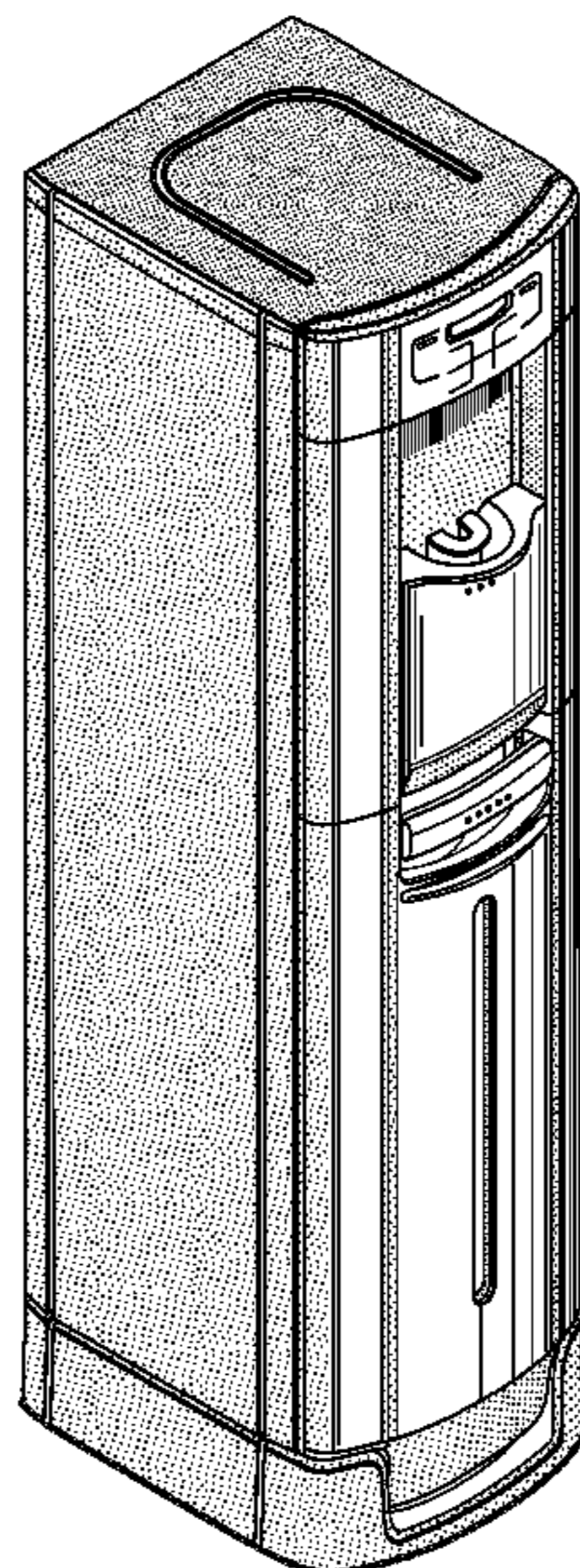


Fig. 1

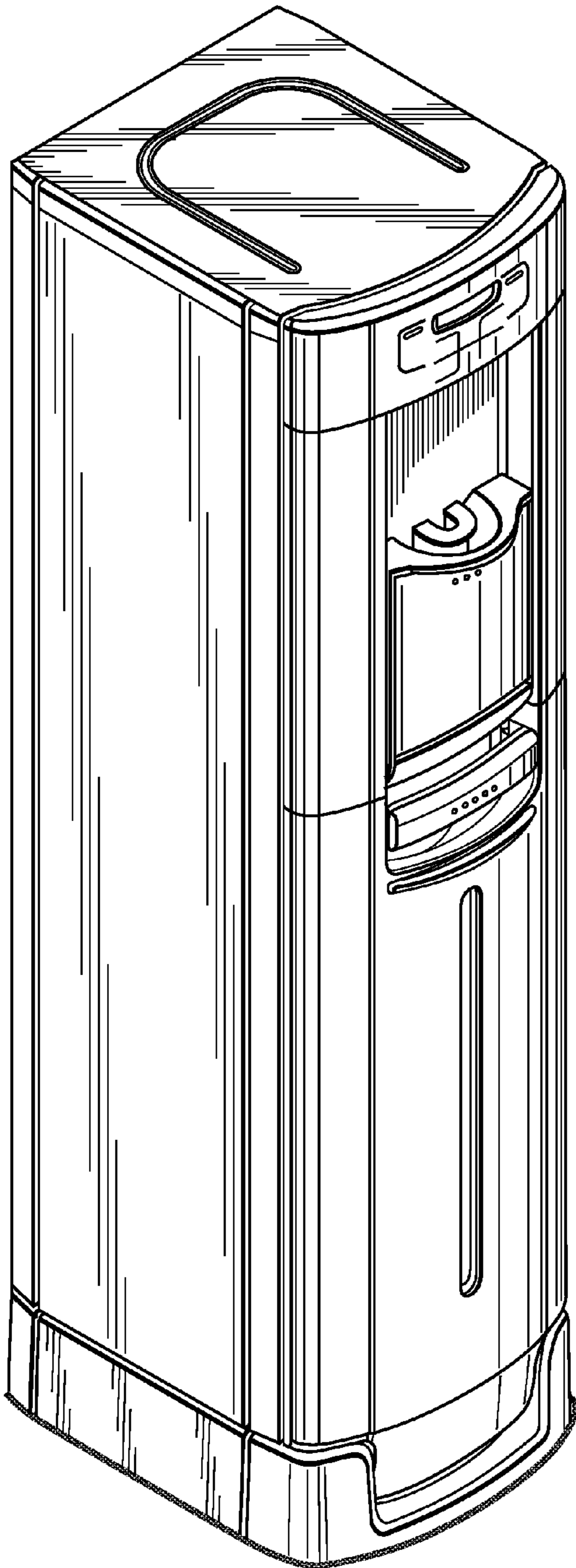


Fig. 2

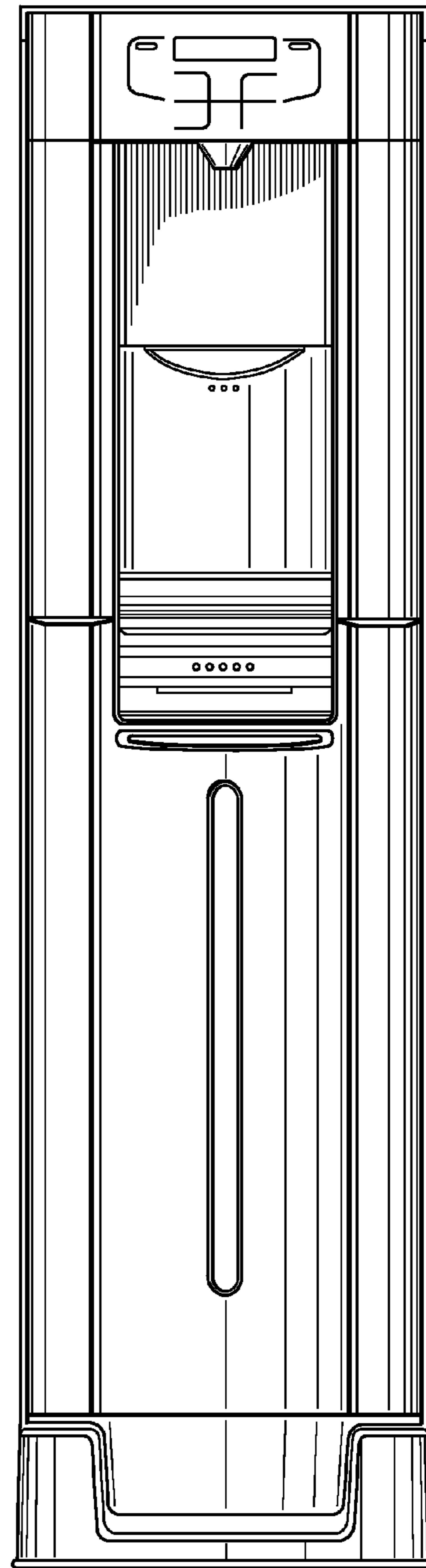


Fig. 3

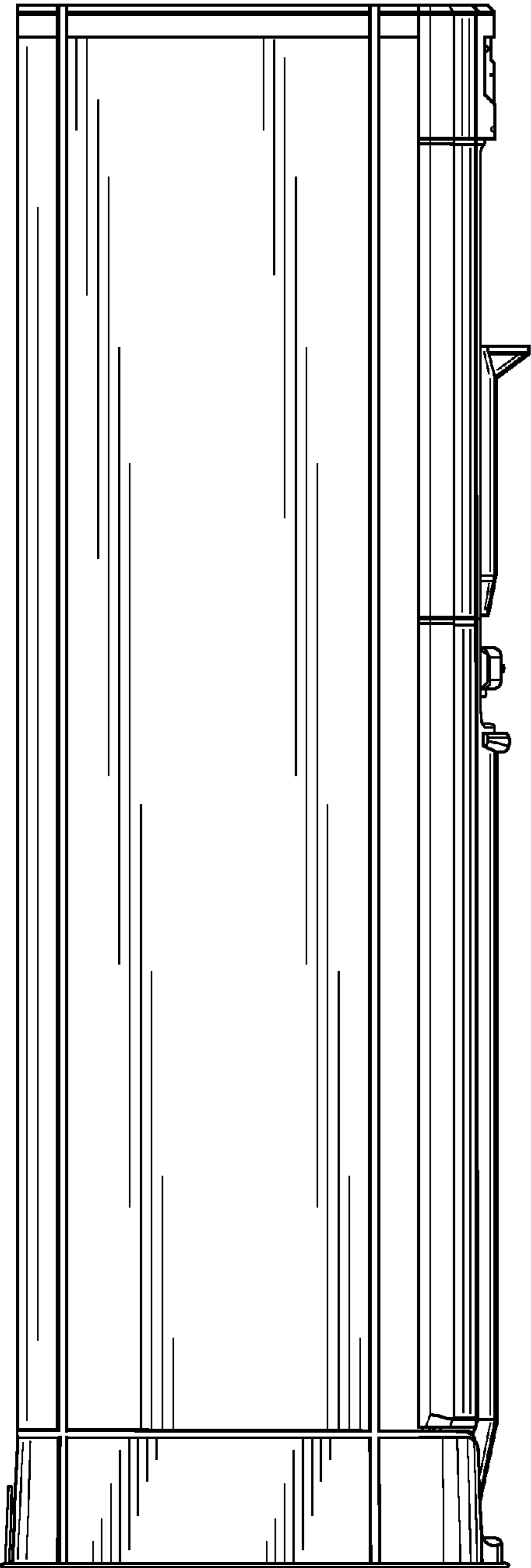


Fig. 4

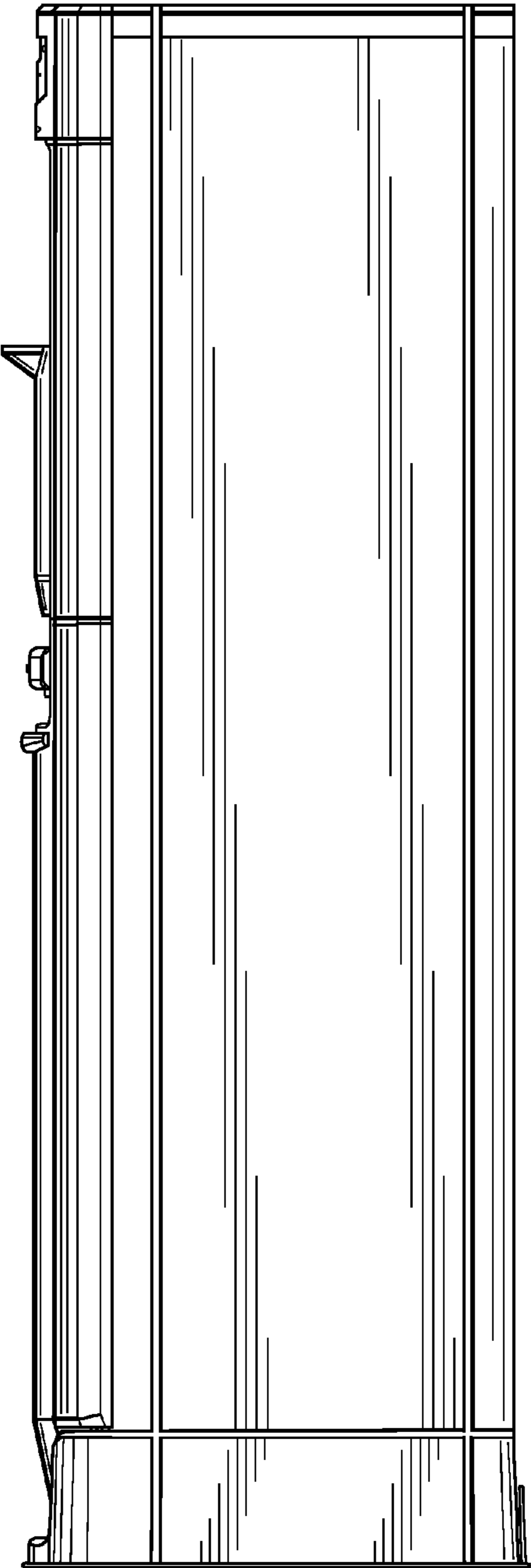


Fig. 5

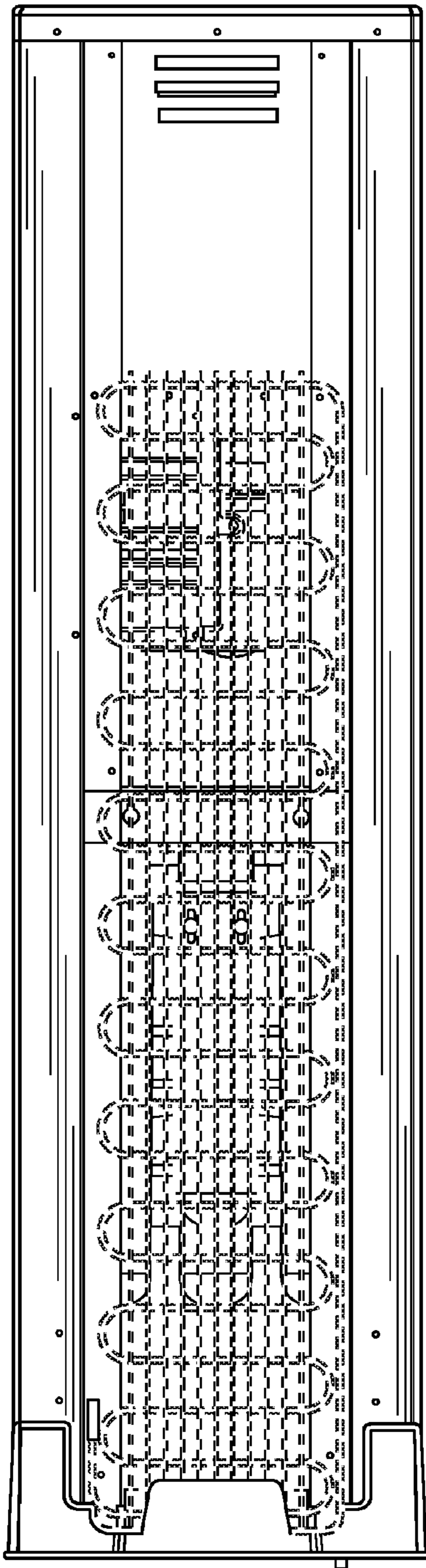


Fig. 6

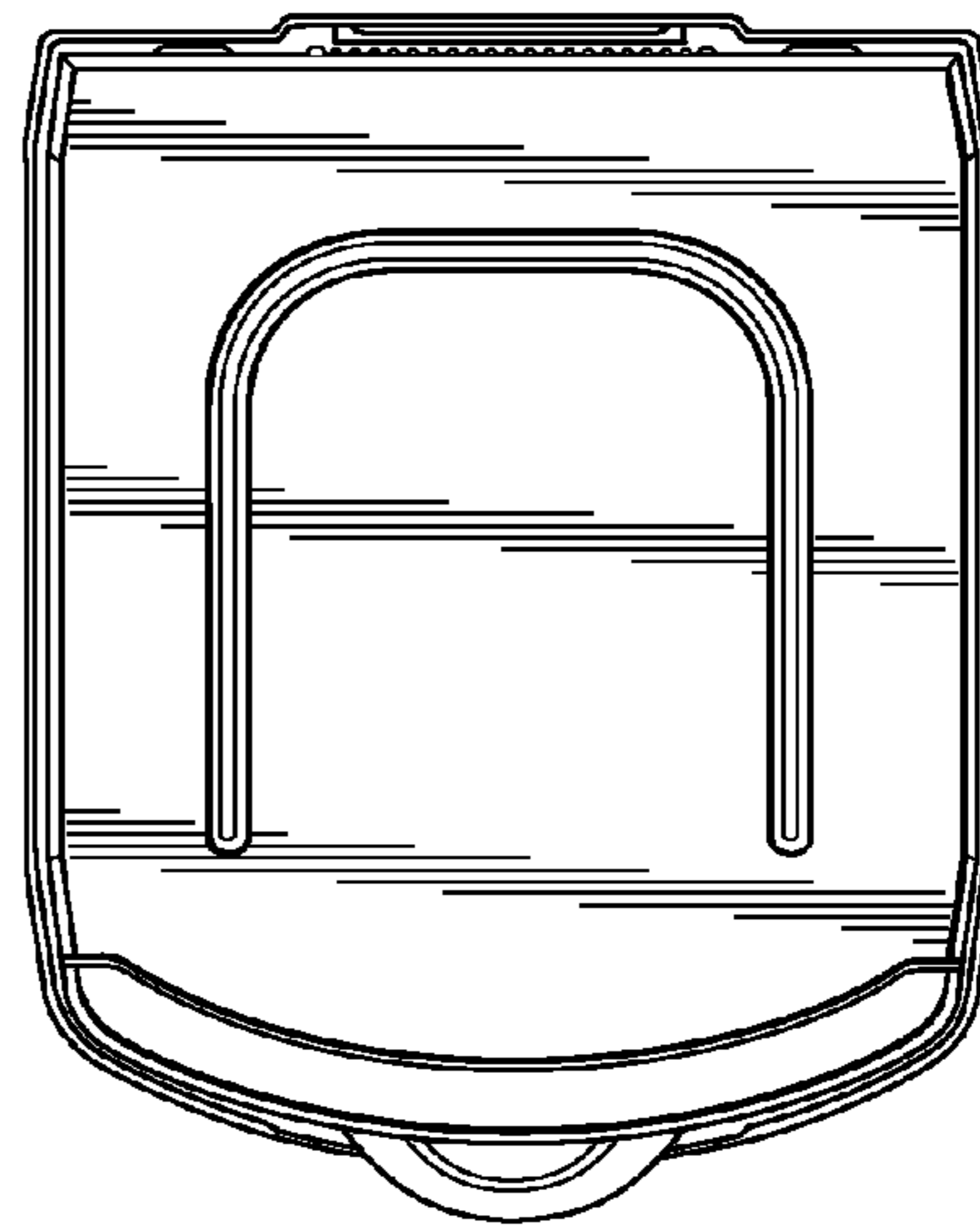


Fig. 7

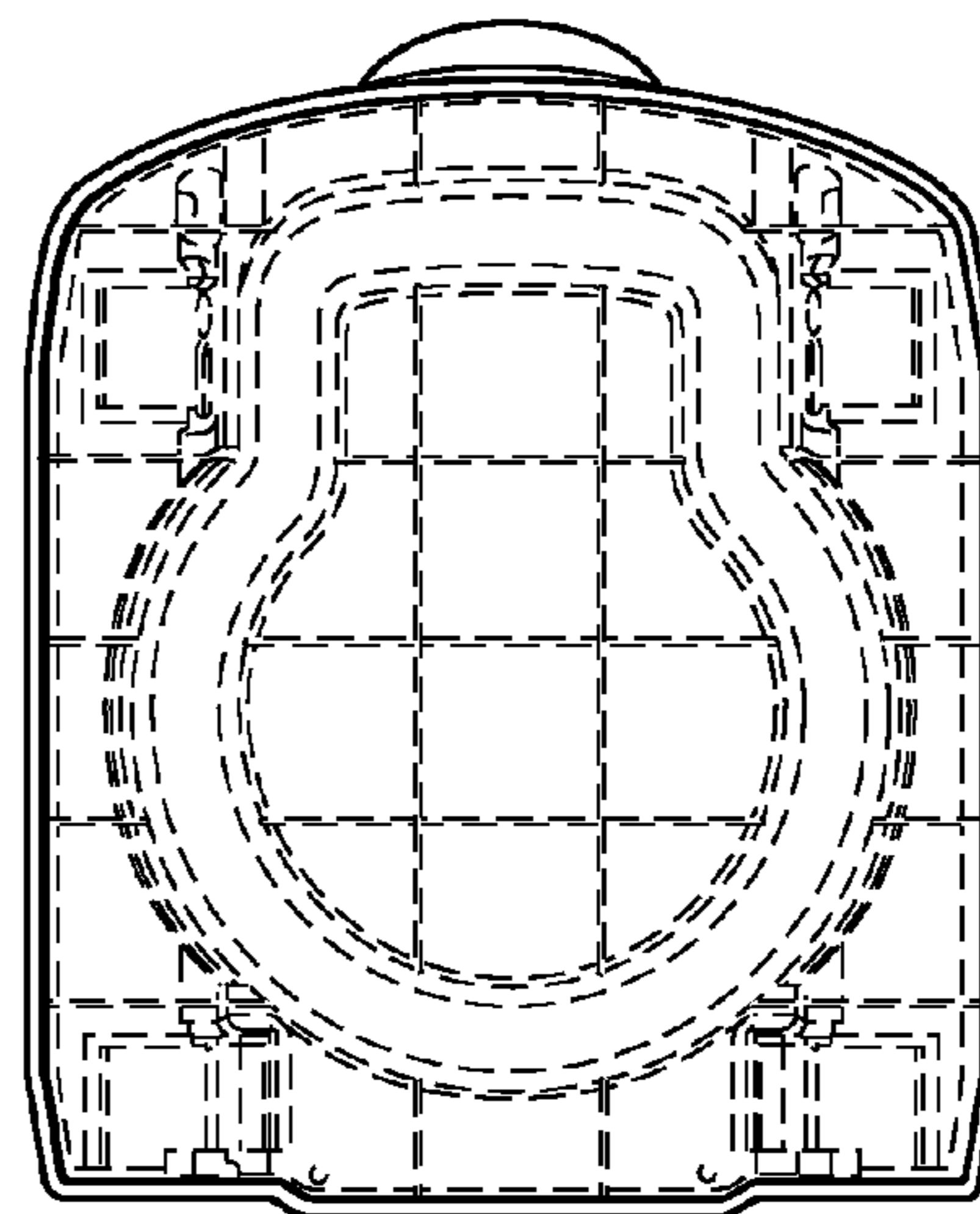


Fig. 8

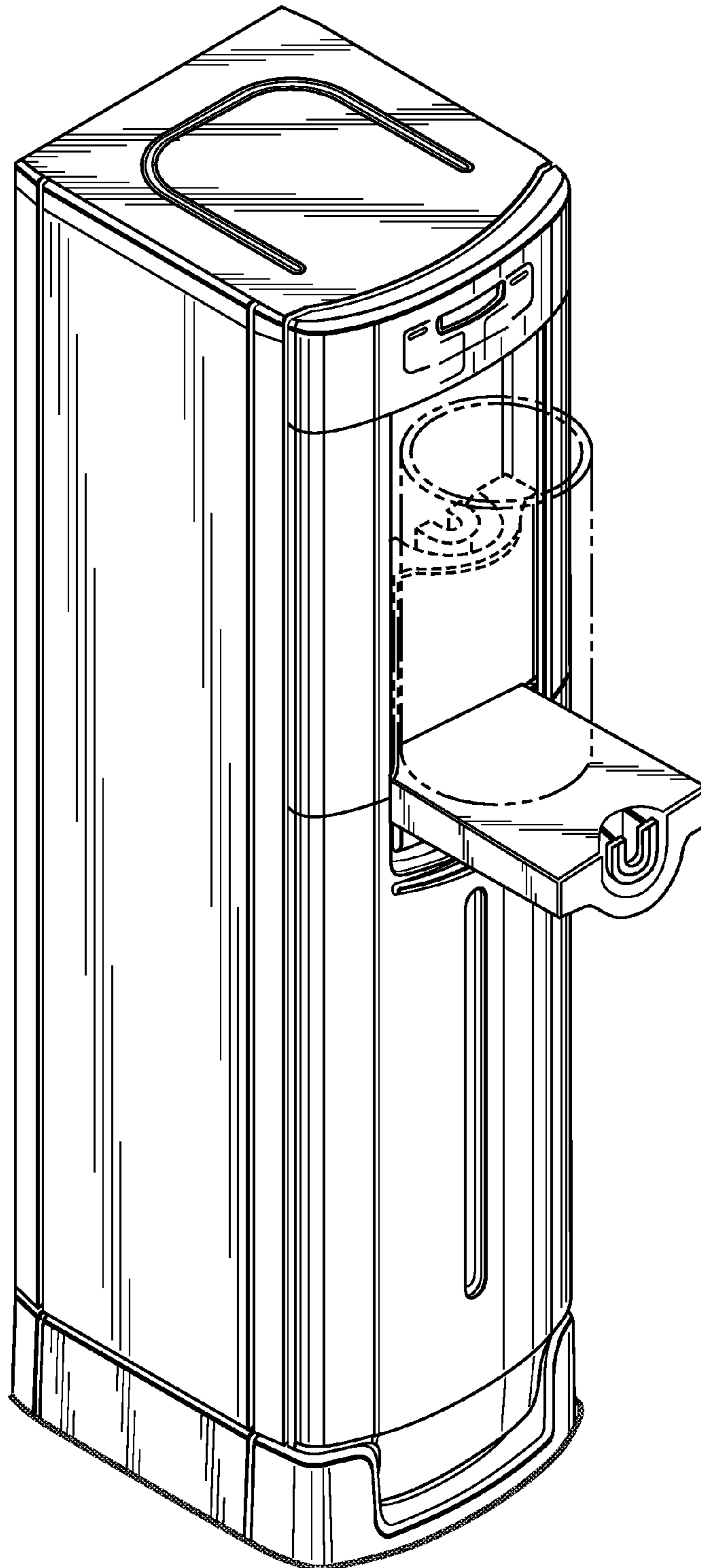


Fig. 9

