



US00D651841S

(12) **United States Design Patent**
Nayman

(10) **Patent No.:** **US D651,841 S**

(45) **Date of Patent:** **** Jan. 10, 2012**

(54) **PILLOW HAVING INTERIOR STORAGE COMPARTMENT**

(76) Inventor: **Darlene Nayman**, Weston, FL (US)

(**) Term: **14 Years**

(21) Appl. No.: **29/389,389**

(22) Filed: **Apr. 11, 2011**

(51) **LOC (9) Cl.** **06-09**

(52) **U.S. Cl.** **D6/601**

(58) **Field of Classification Search** D6/595,
D6/596, 598, 601, 604; 5/630, 633, 636,
5/638, 640, 652-655, 655.3, 656

See application file for complete search history.

(56) **References Cited**

U.S. PATENT DOCUMENTS

1,470,598	A *	10/1923	Dessau	5/636
3,394,414	A *	7/1968	Unger	5/655.9
D482,923	S *	12/2003	Gaines	D6/601
D504,269	S *	4/2005	Faircloth	D6/601
D517,698	S *	3/2006	Savage	D24/206
D581,713	S *	12/2008	Berke	D6/601
D629,241	S *	12/2010	Romero	D6/601
2003/0028969	A1 *	2/2003	Rossdeutscher	5/636

* cited by examiner

Primary Examiner — Janice Seeger

(74) *Attorney, Agent, or Firm* — Nancy J. Flint, Esq.

(57) **CLAIM**

The ornamental design for a pillow having interior storage compartment, as shown and described.

DESCRIPTION

FIG. 1 is a front perspective view of a pillow having interior storage compartment showing my new design in the closed position;

FIG. 2 is a front view of a pillow having interior storage compartment showing my new design in the closed position;

FIG. 3 is a left side view of a pillow having interior storage compartment showing my new design in the closed position;

FIG. 4 is a right side view of a pillow having interior storage compartment showing my new design in the closed position;

FIG. 5 is a top view of a pillow having interior storage compartment showing my new design in the closed position;

FIG. 6 is a bottom view of a pillow having interior storage compartment showing my new design in the closed position;

FIG. 7 is a front perspective view of a pillow having interior storage compartment showing my new design in the open position;

FIG. 8 is a front view of a pillow having interior storage compartment showing my new design in the open position;

FIG. 9 is a left side view of a pillow having interior storage compartment showing my new design in the open position;

FIG. 10 is a right side view of a pillow having interior storage compartment showing my new design in the open position;

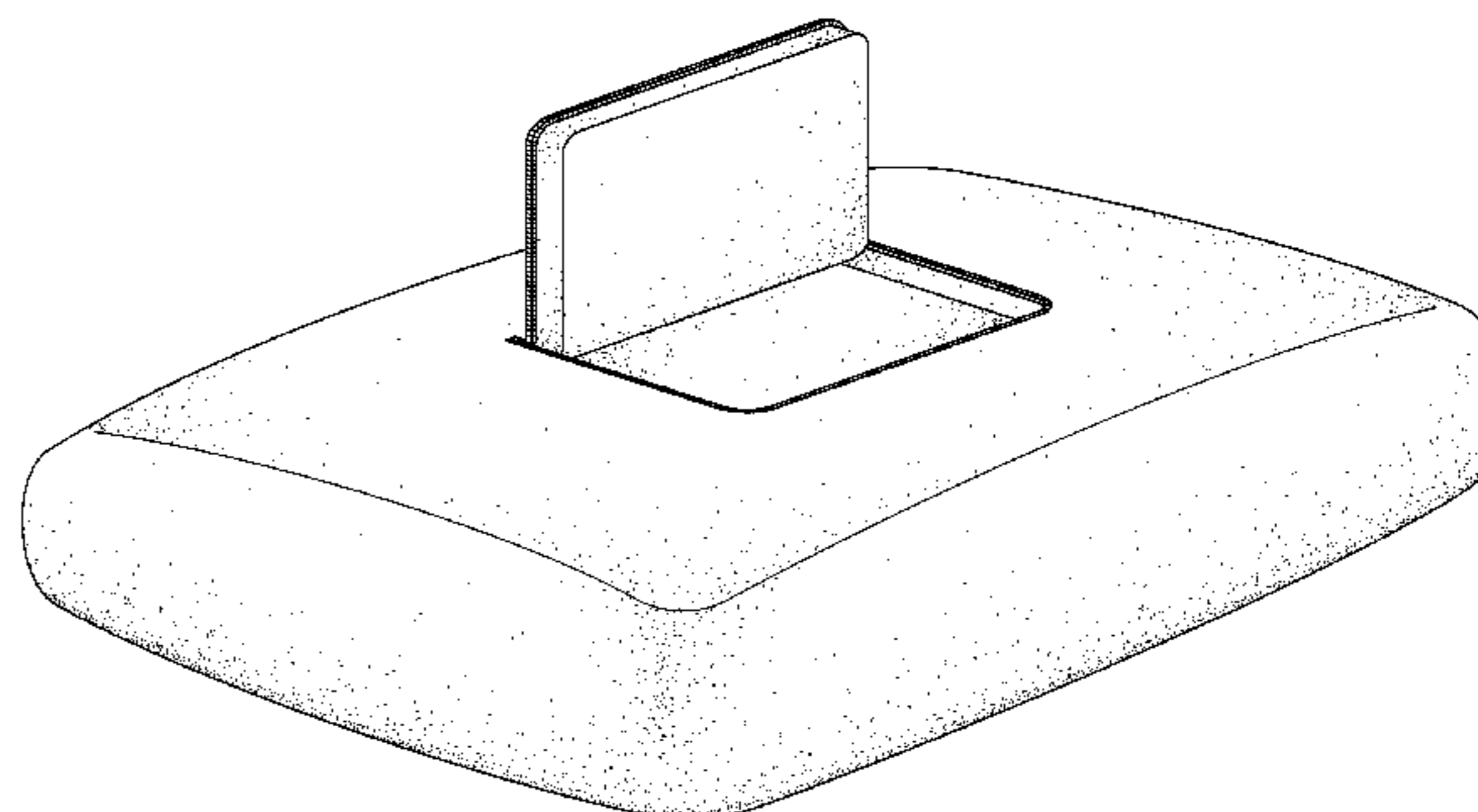
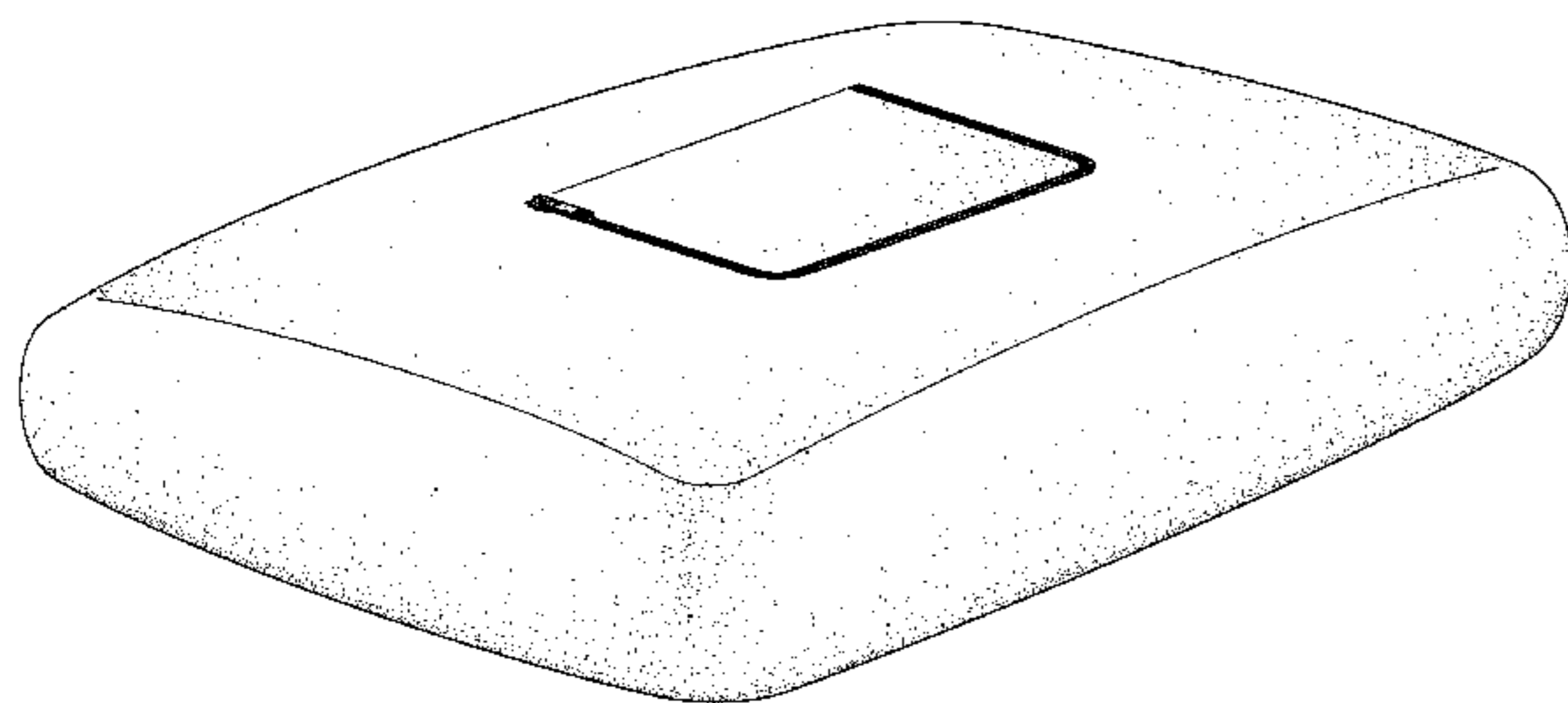
FIG. 11 is a top view of a pillow having interior storage compartment showing my new design in the open position;

and,

FIG. 12 is a bottom view of a pillow having interior storage compartment showing my new design in the open position.

Any broken line illustration of environmental structure in the drawings is not part of the design sought to be patented.

1 Claim, 12 Drawing Sheets



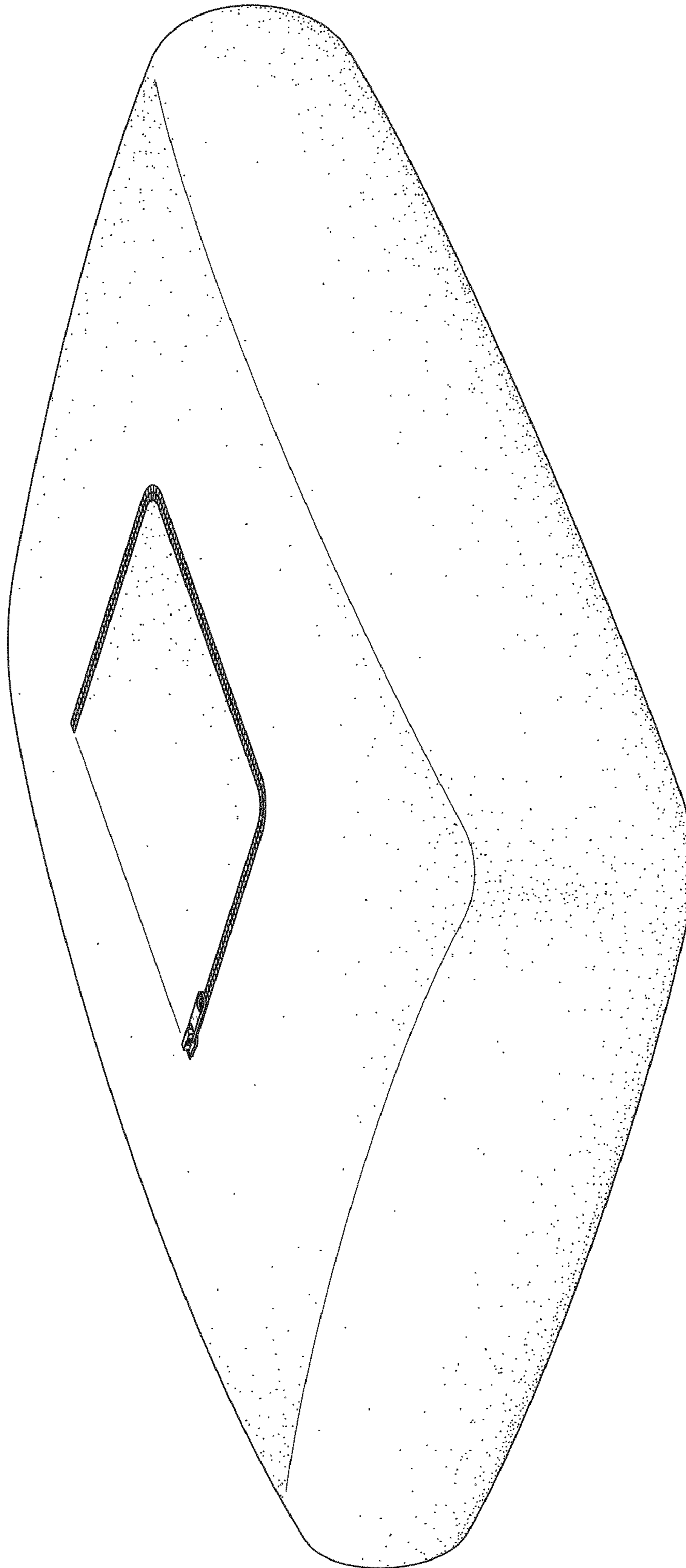


FIG. 1

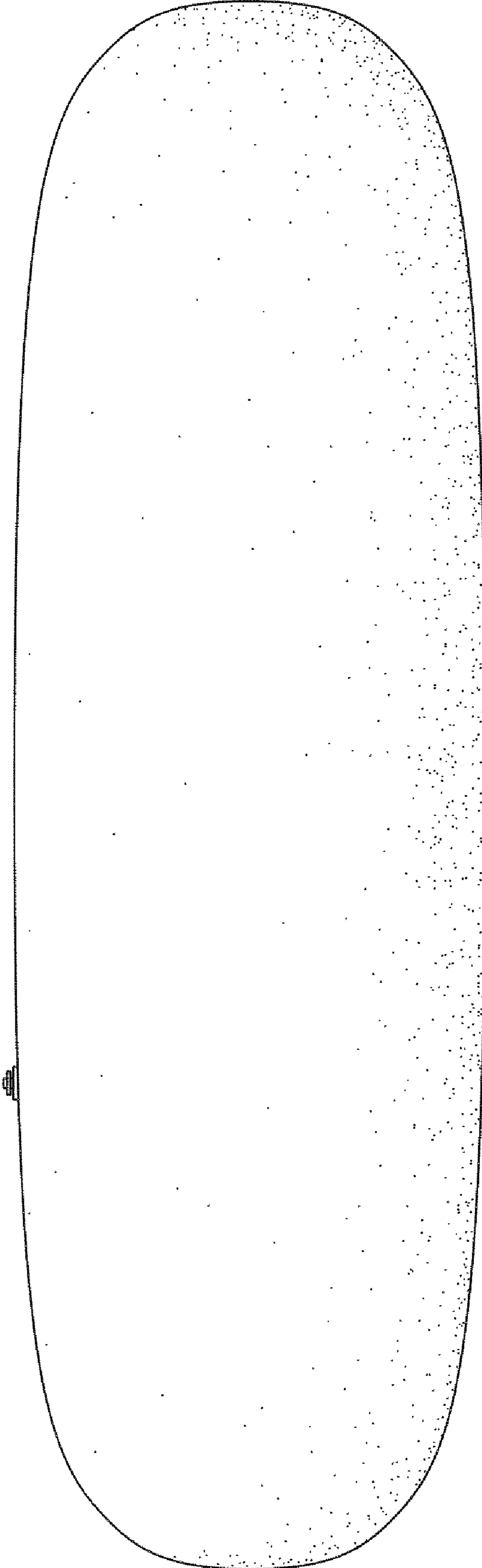


FIG. 2

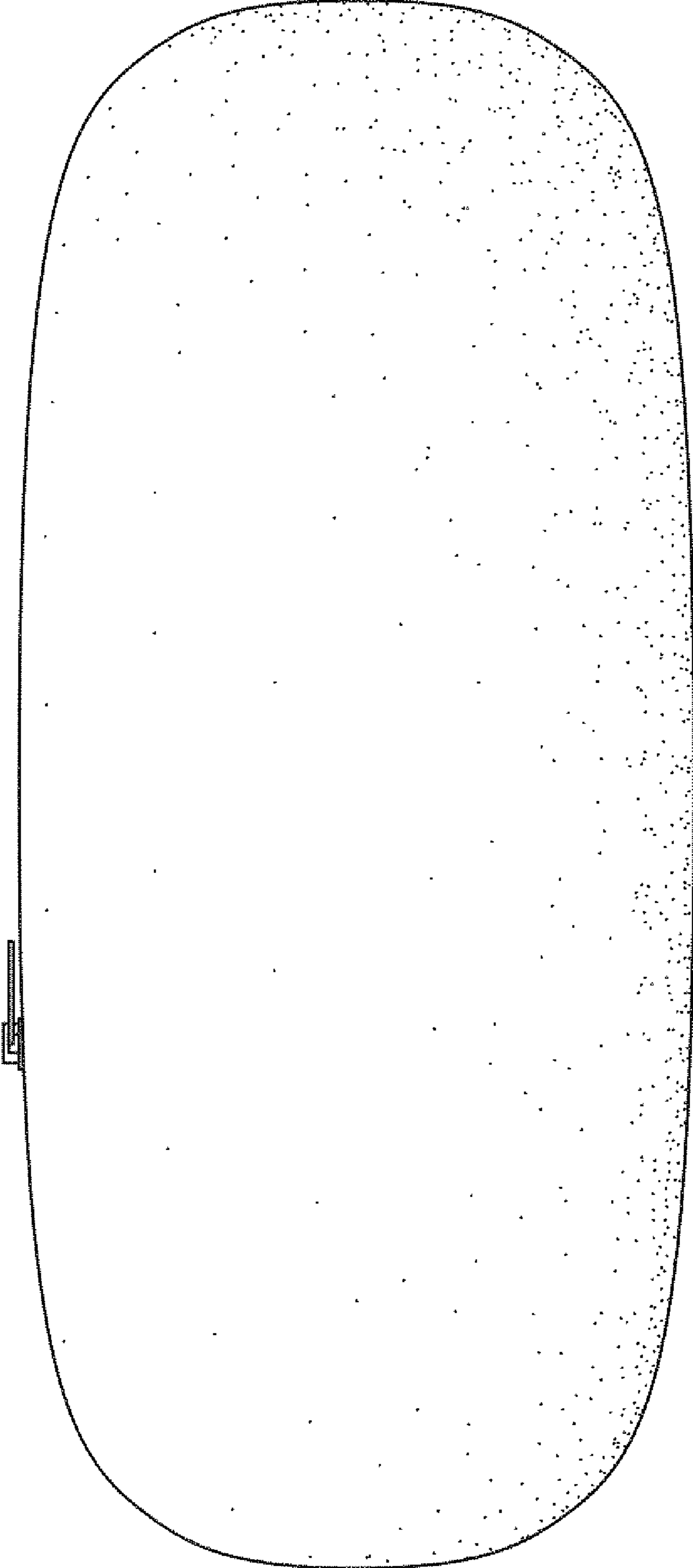


FIG. 3

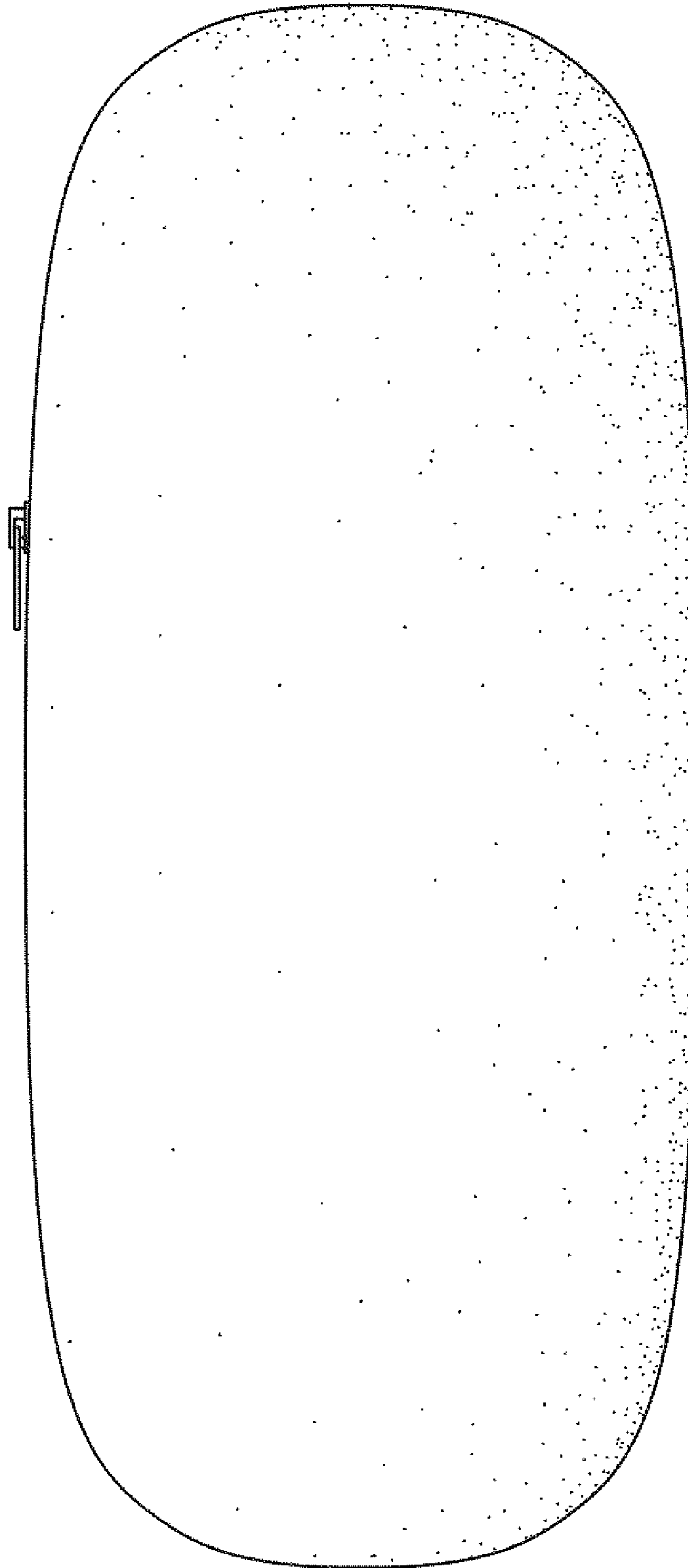


FIG. 4

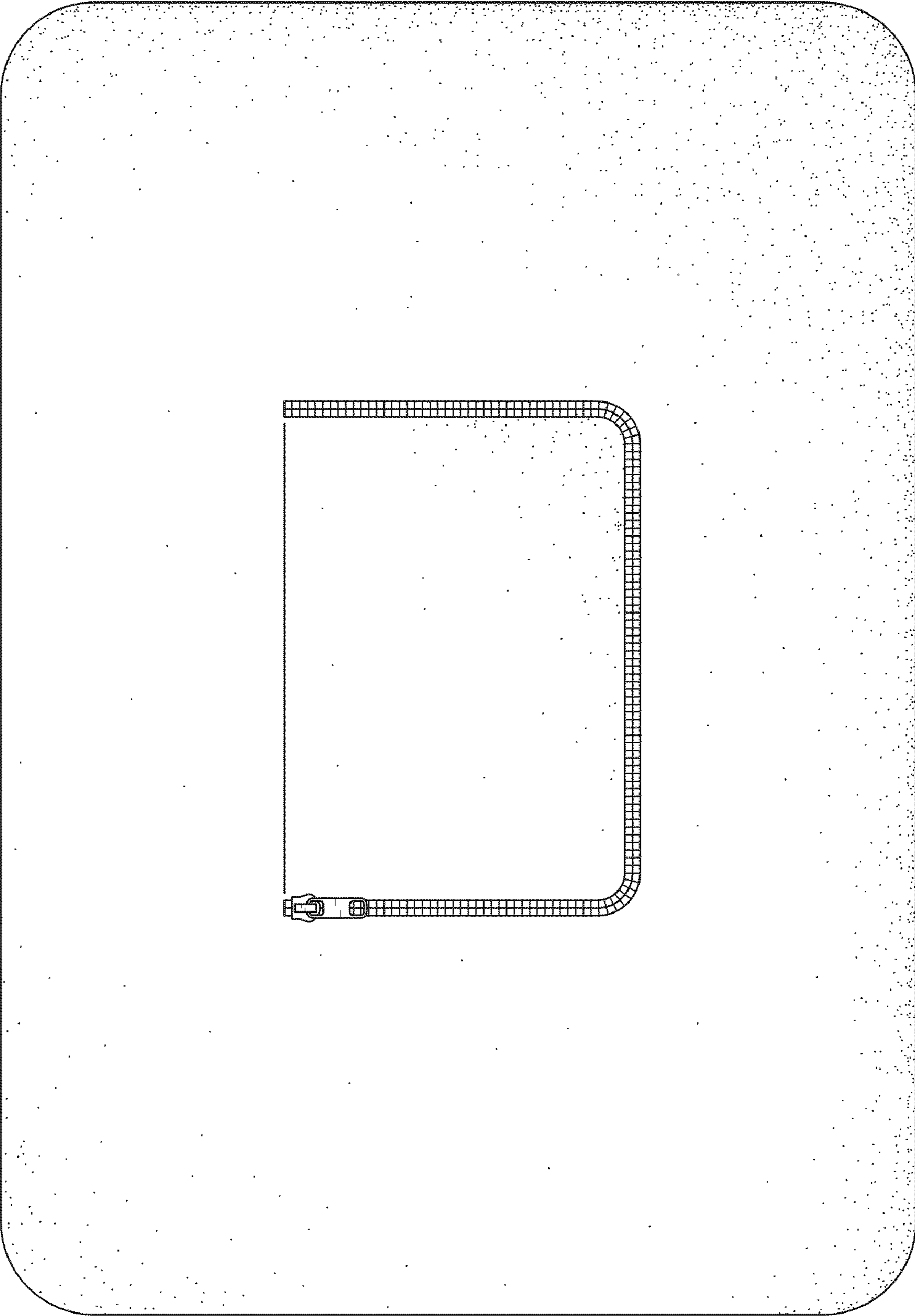


FIG. 5

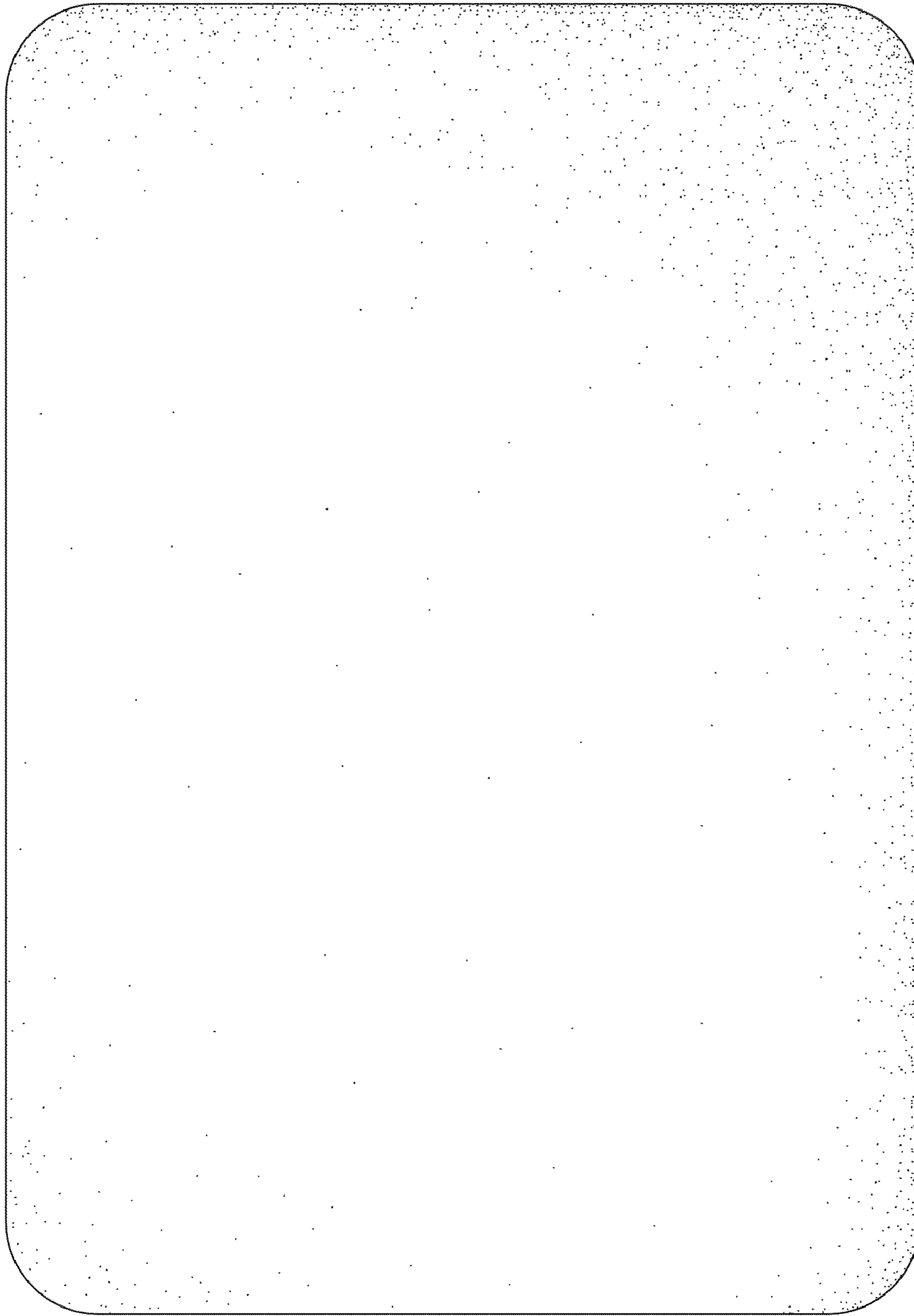


FIG. 6

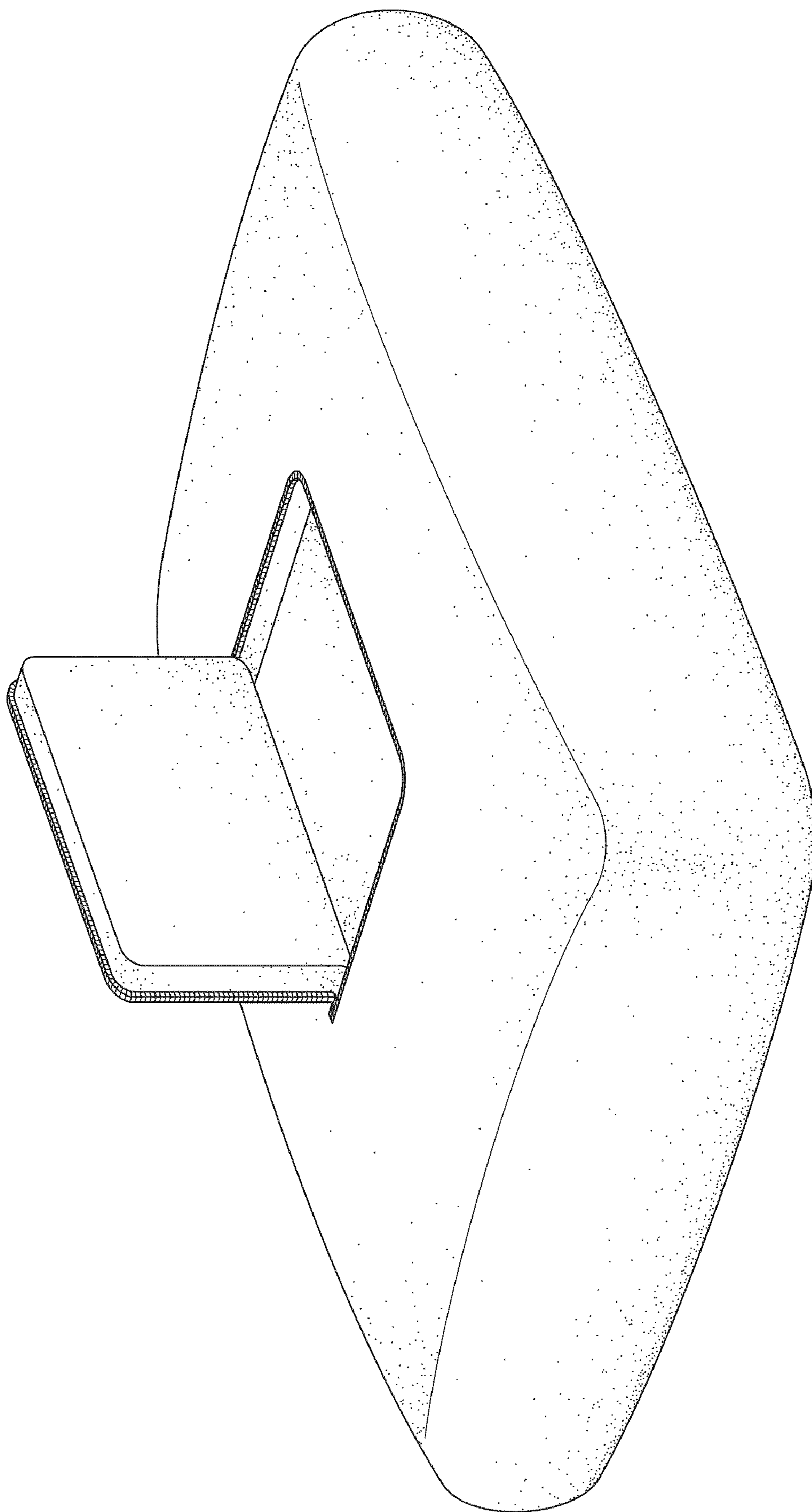


FIG. 7

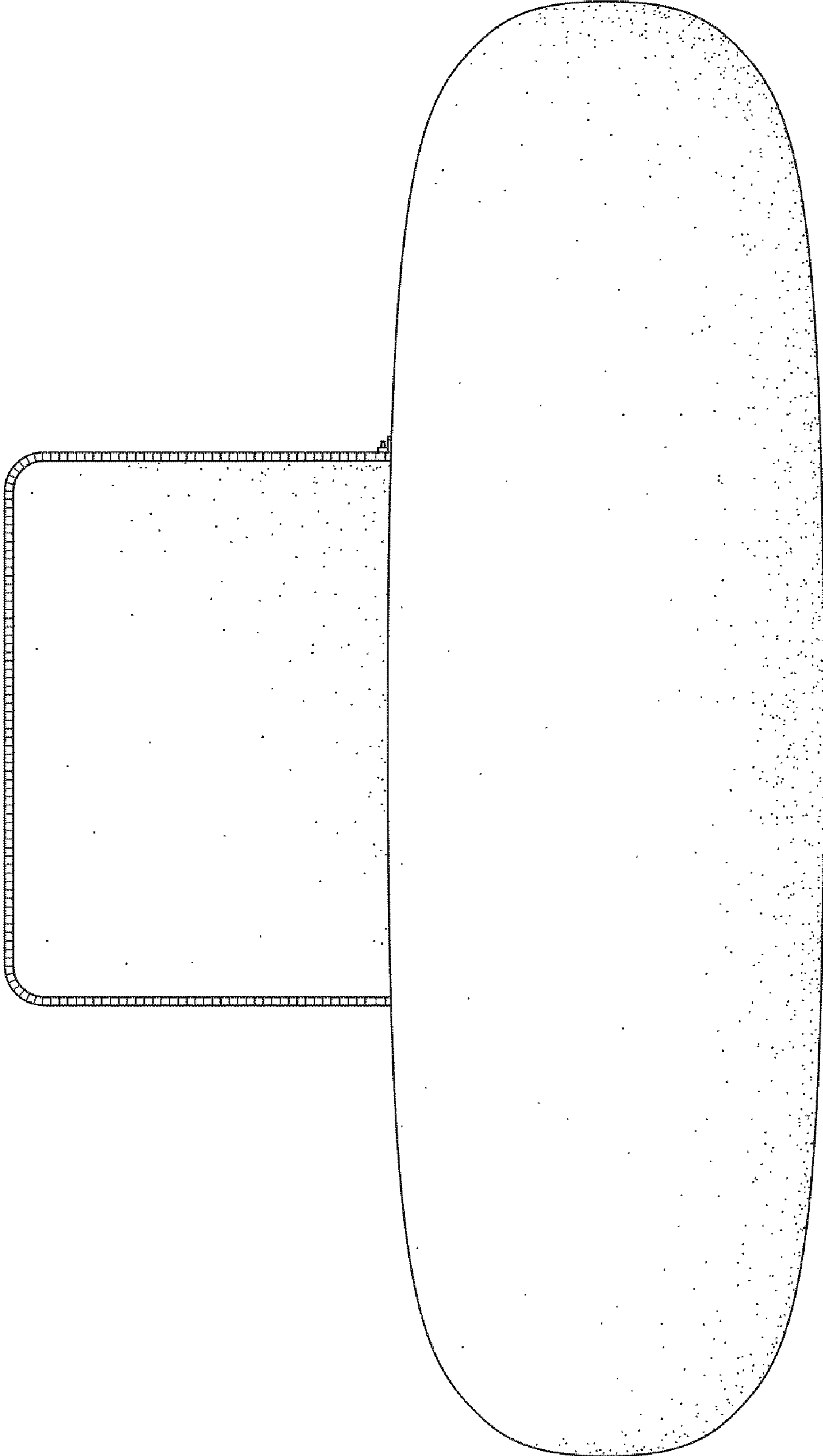


FIG. 8

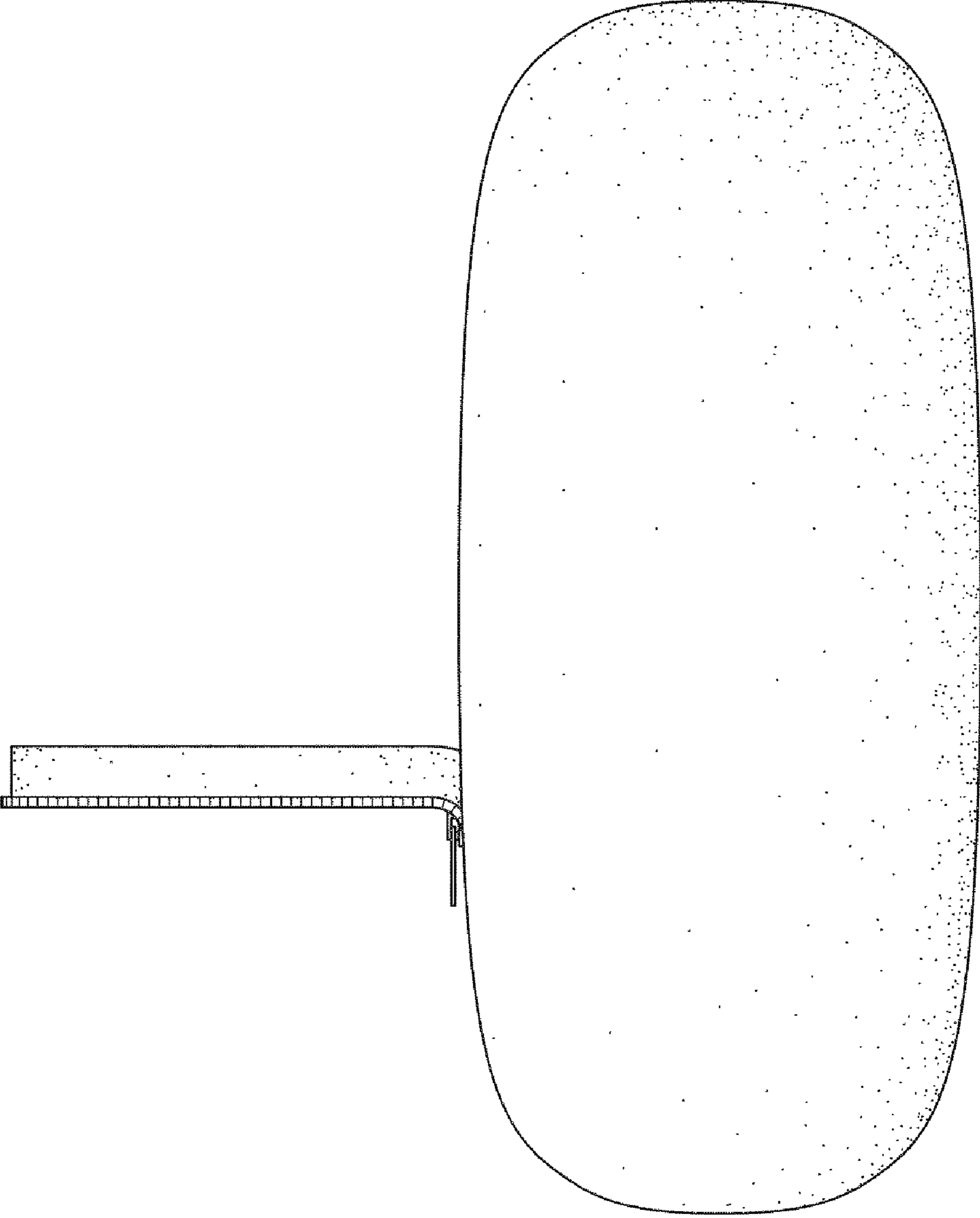


FIG. 9

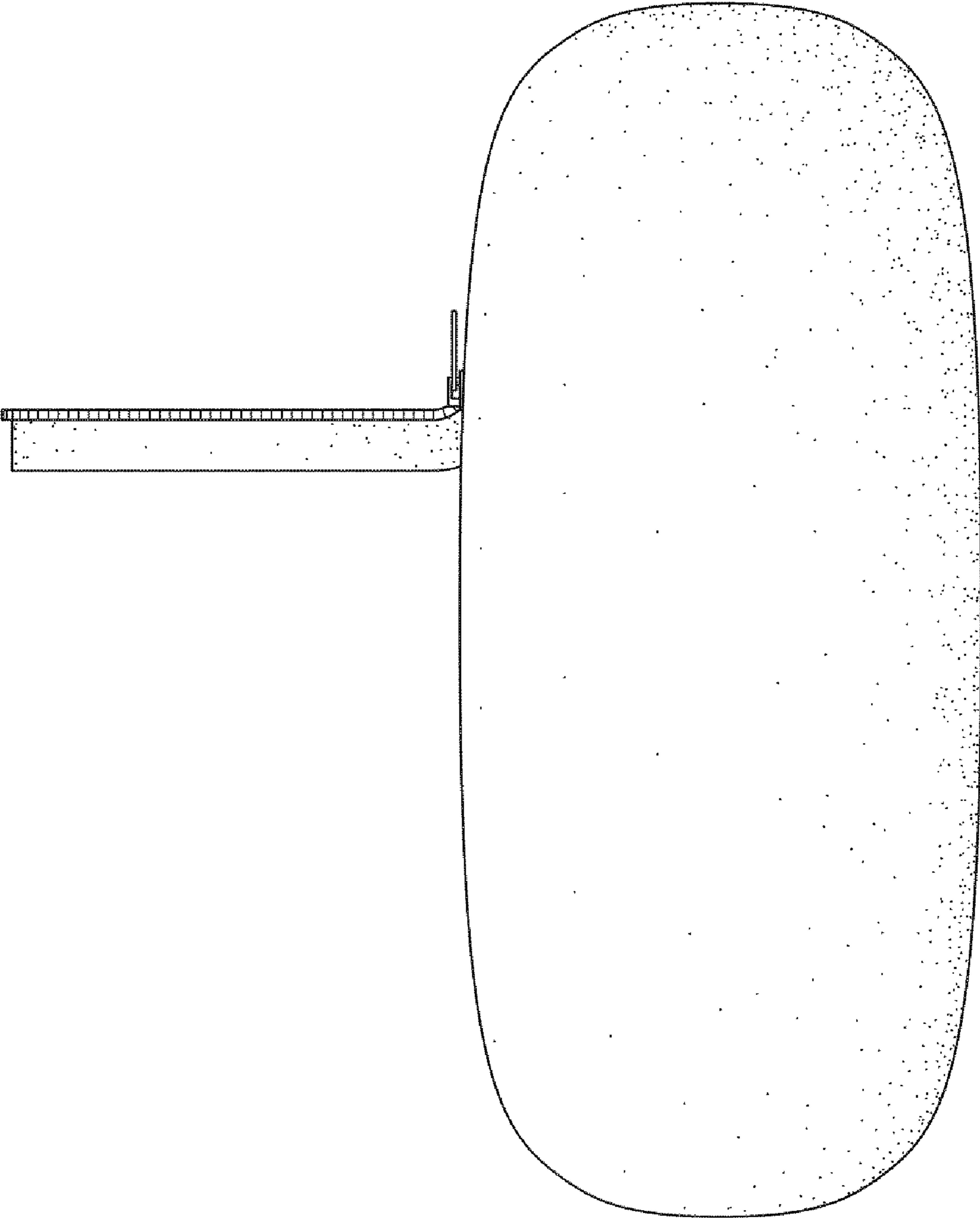


FIG. 10

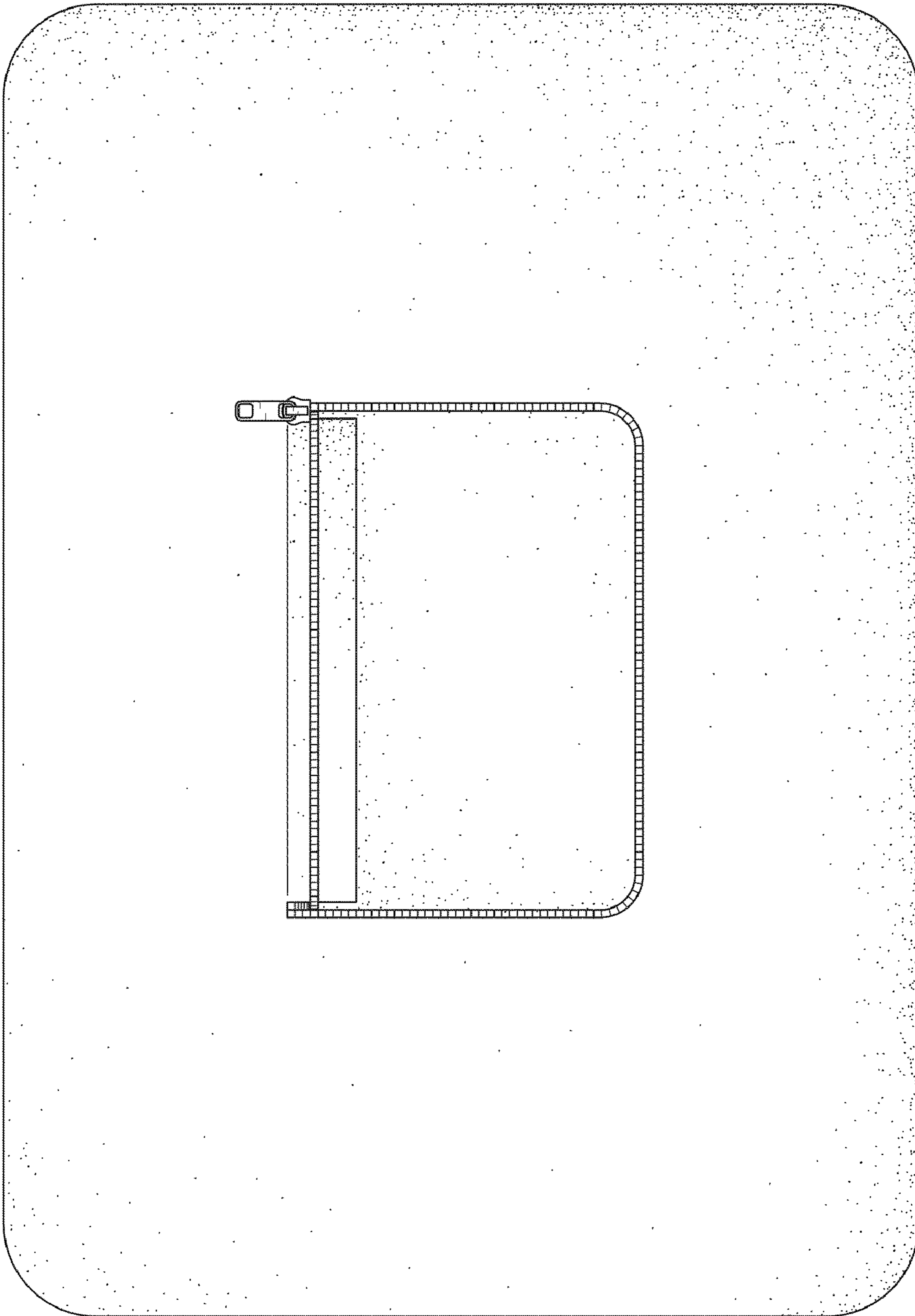


FIG. 11

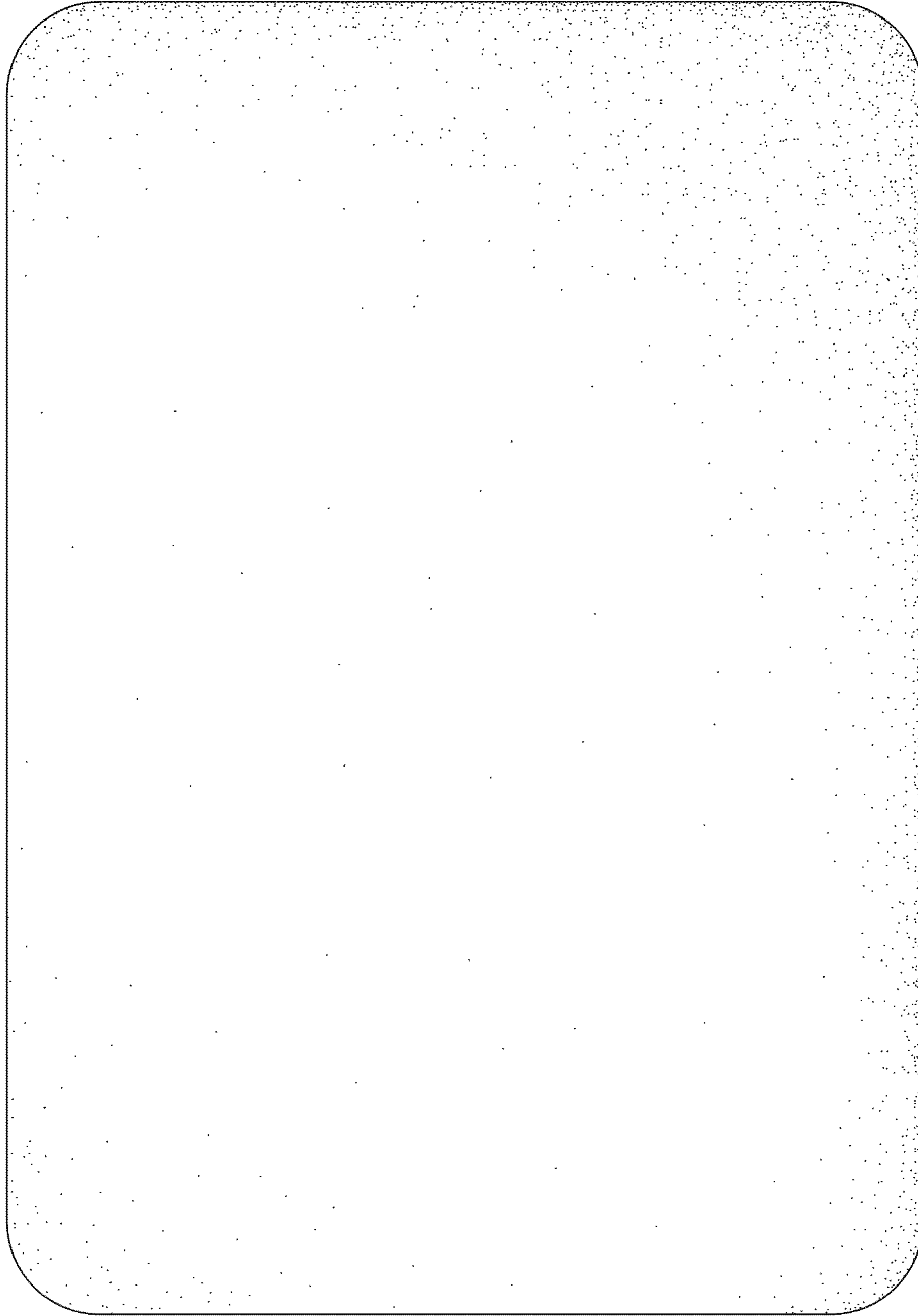


FIG. 12