



US00D651840S

(12) **United States Design Patent**  
**Davis, III**

(10) **Patent No.:** **US D651,840 S**  
(45) **Date of Patent:** **\*\* Jan. 10, 2012**

(54) **UPPER BODY ELEVATOR**

(76) Inventor: **Thomas W. Davis, III**, Bethany, LA  
(US)

(\*\*) Term: **14 Years**

(21) Appl. No.: **29/374,399**

(22) Filed: **Aug. 8, 2011**

**Related U.S. Application Data**

(63) Continuation of application No. 12/380,728, filed on  
Mar. 3, 2009, now Pat. No. 7,992,241.

(51) **LOC (9) Cl.** ..... **06-09**

(52) **U.S. Cl.** ..... **D6/601**

(58) **Field of Classification Search** ..... D6/595,  
D6/596, 598, 601, 604; 5/630, 633, 636,  
5/638, 640, 652-655, 655.3, 656  
See application file for complete search history.

(56) **References Cited**

**U.S. PATENT DOCUMENTS**

4,635,306 A \* 1/1987 Willey ..... 5/632  
D288,632 S \* 3/1987 Grimsrud ..... D6/360  
5,432,967 A \* 7/1995 Raftery ..... 5/633

5,699,569 A 12/1997 Schwarz-Zohrer  
D407,259 S \* 3/1999 Jackson ..... D6/604  
6,886,204 B2 5/2005 Kasatshko et al.  
7,992,241 B2 \* 8/2011 Davis, III ..... 5/655.3  
2009/0222991 A1 9/2009 Davis, III  
2009/0223524 A1 9/2009 Davis, III

\* cited by examiner

*Primary Examiner* — Janice Seeger

(74) *Attorney, Agent, or Firm* — R. Keith Harrison

(57) **CLAIM**

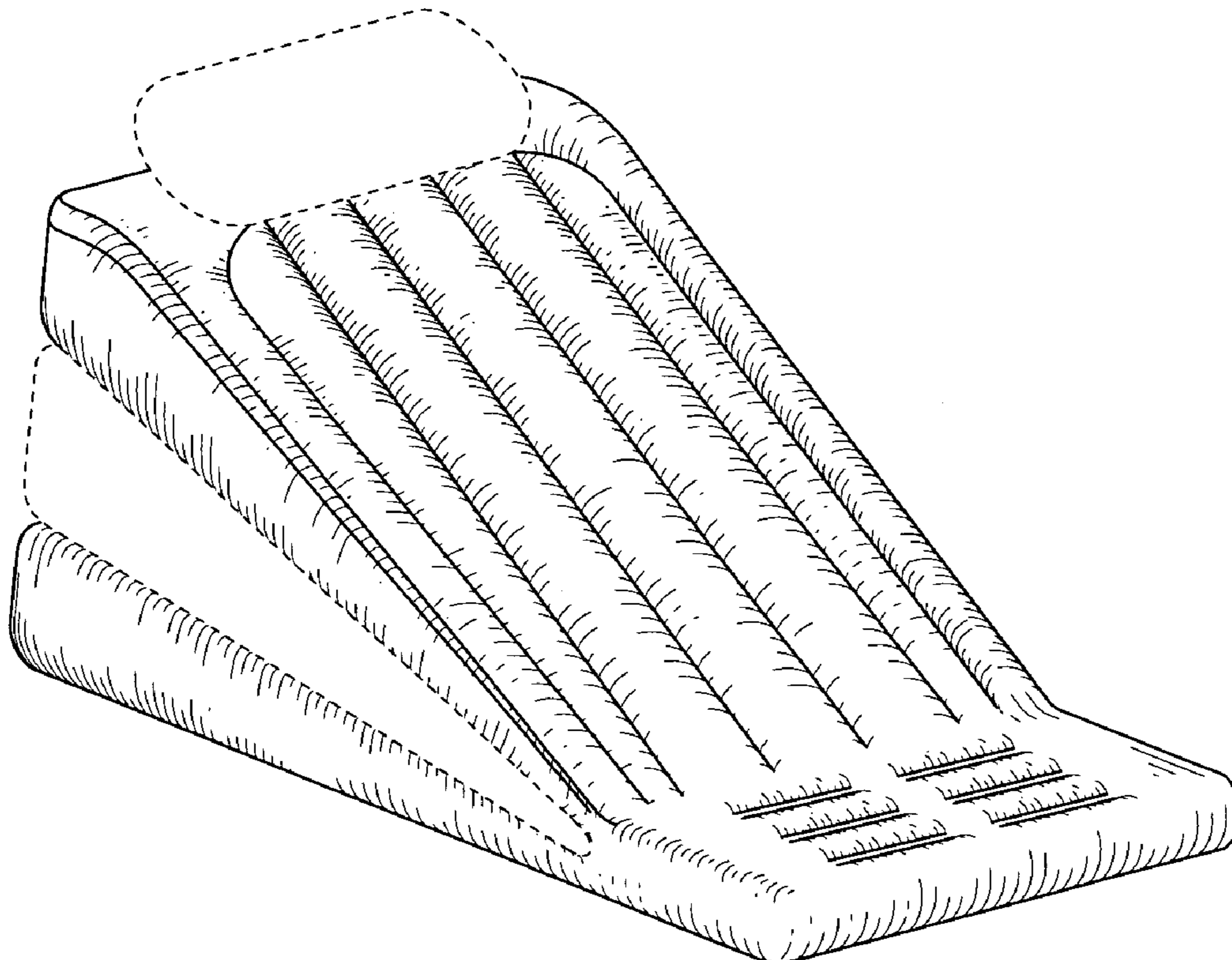
The ornamental design for an upper body elevator, as shown  
and described.

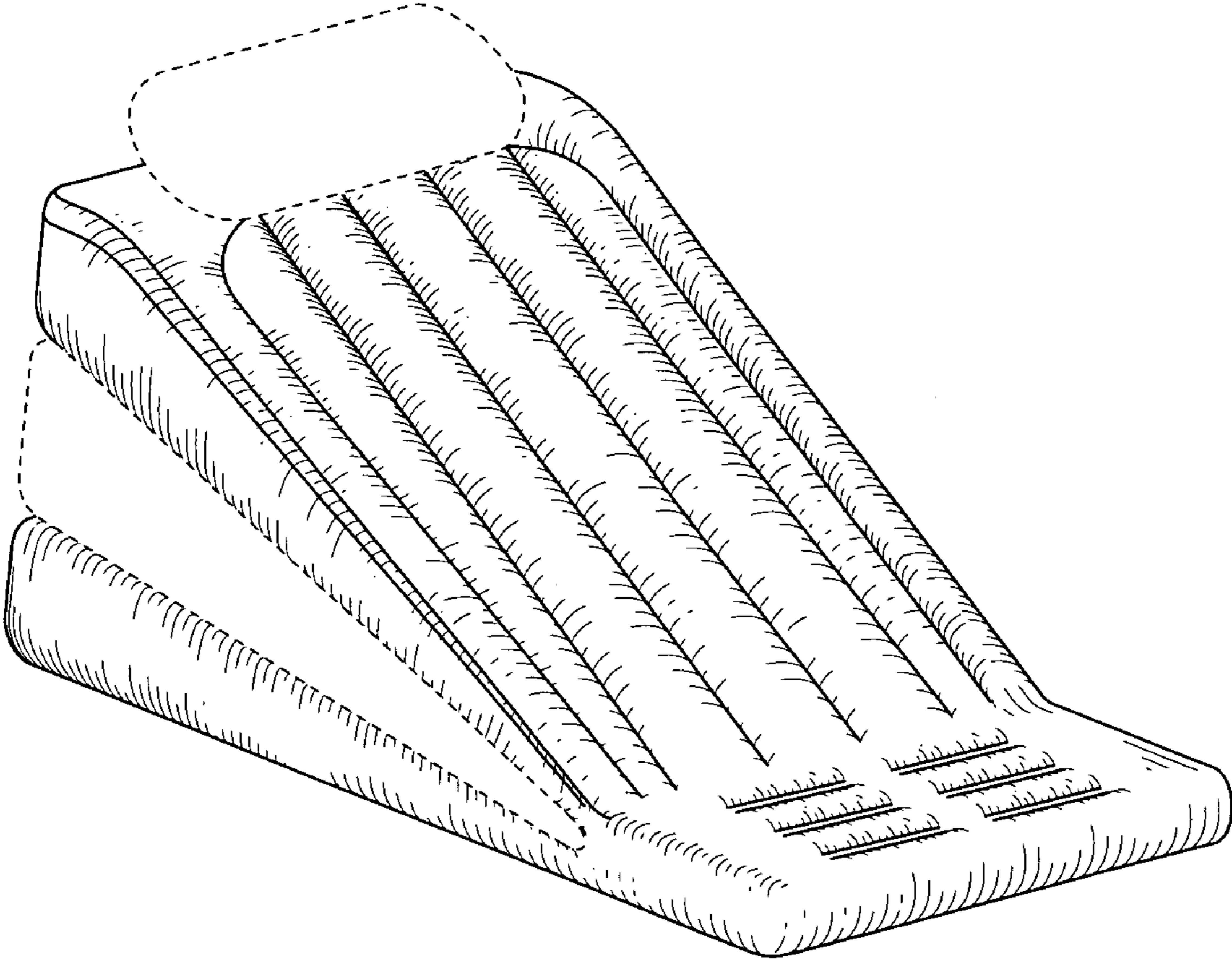
**DESCRIPTION**

FIG. 1 is a front perspective view of the upper body elevator;  
FIG. 2 is a right side view of the upper body elevator;  
FIG. 3 is a left side view of the upper body elevator;  
FIG. 4 is a top view of the upper body elevator;  
FIG. 5 is a bottom view of the upper body elevator;  
FIG. 6 is a rear view of the upper body elevator; and,  
FIG. 7 is a front view of the upper body elevator.

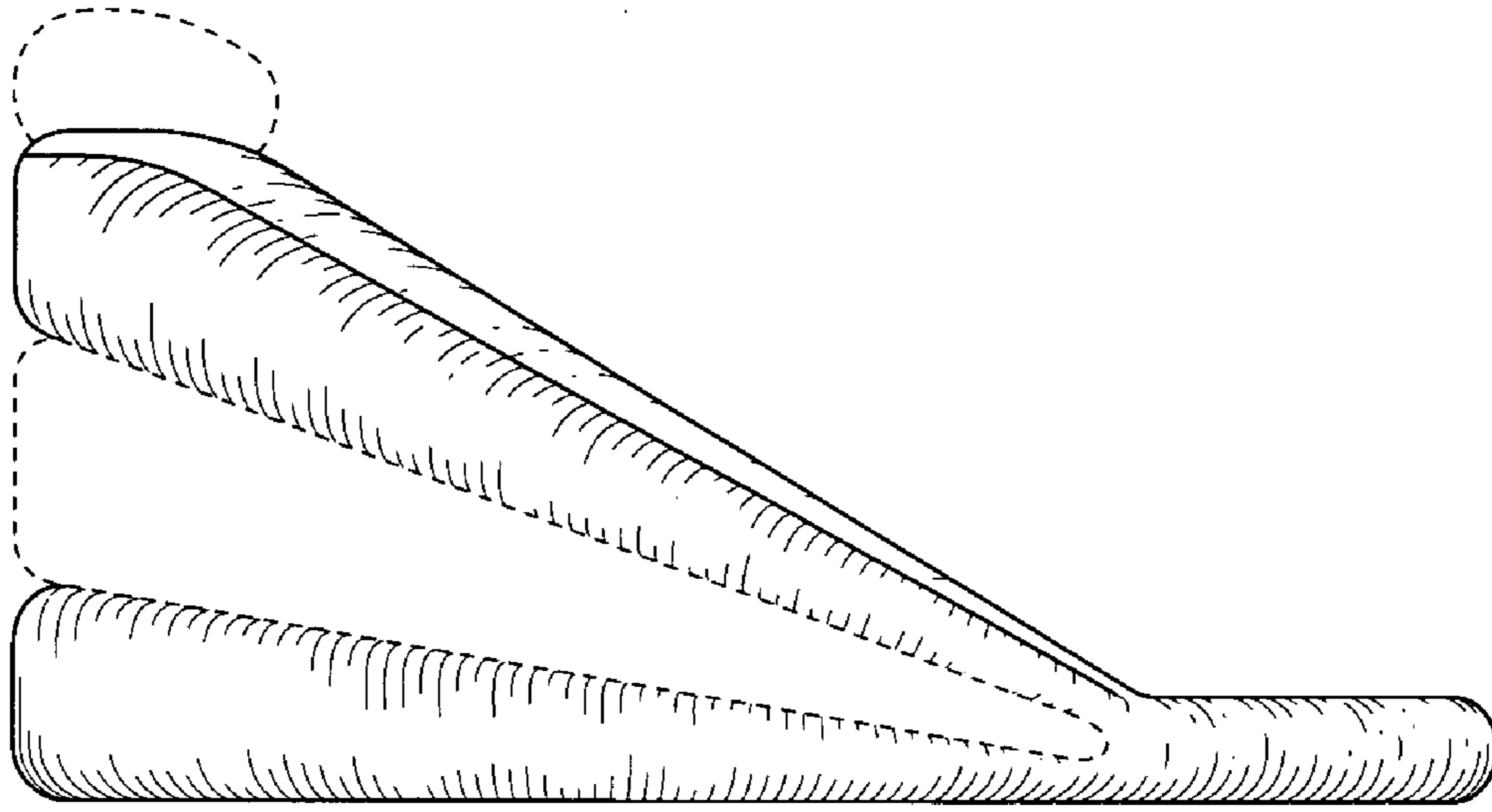
The drawing disclosure of this application includes broken  
line depictions of a portion of the upper body elevator, which  
portion does not form a part of the claimed design.

**1 Claim, 4 Drawing Sheets**

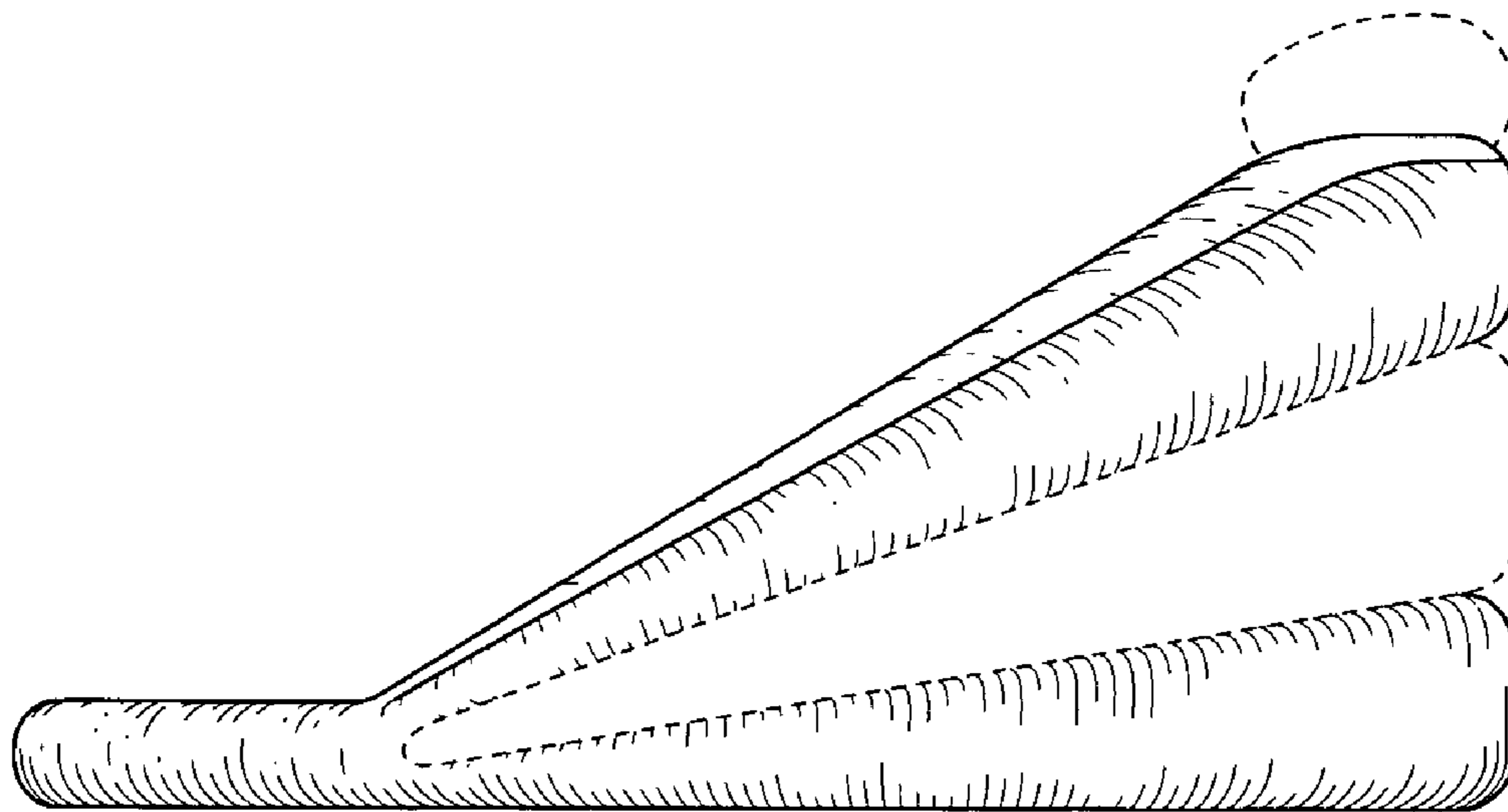




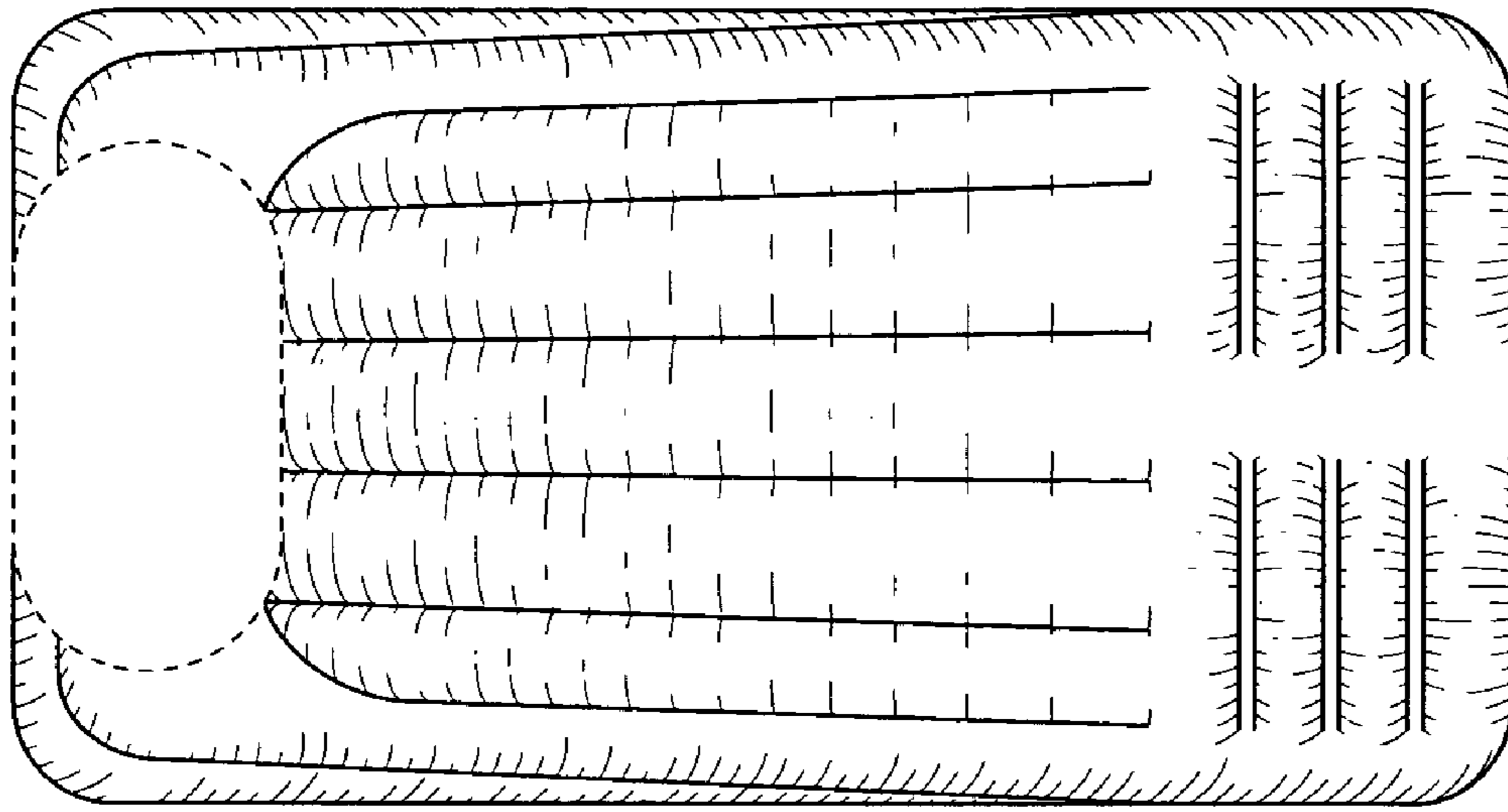
**FIG. 1**



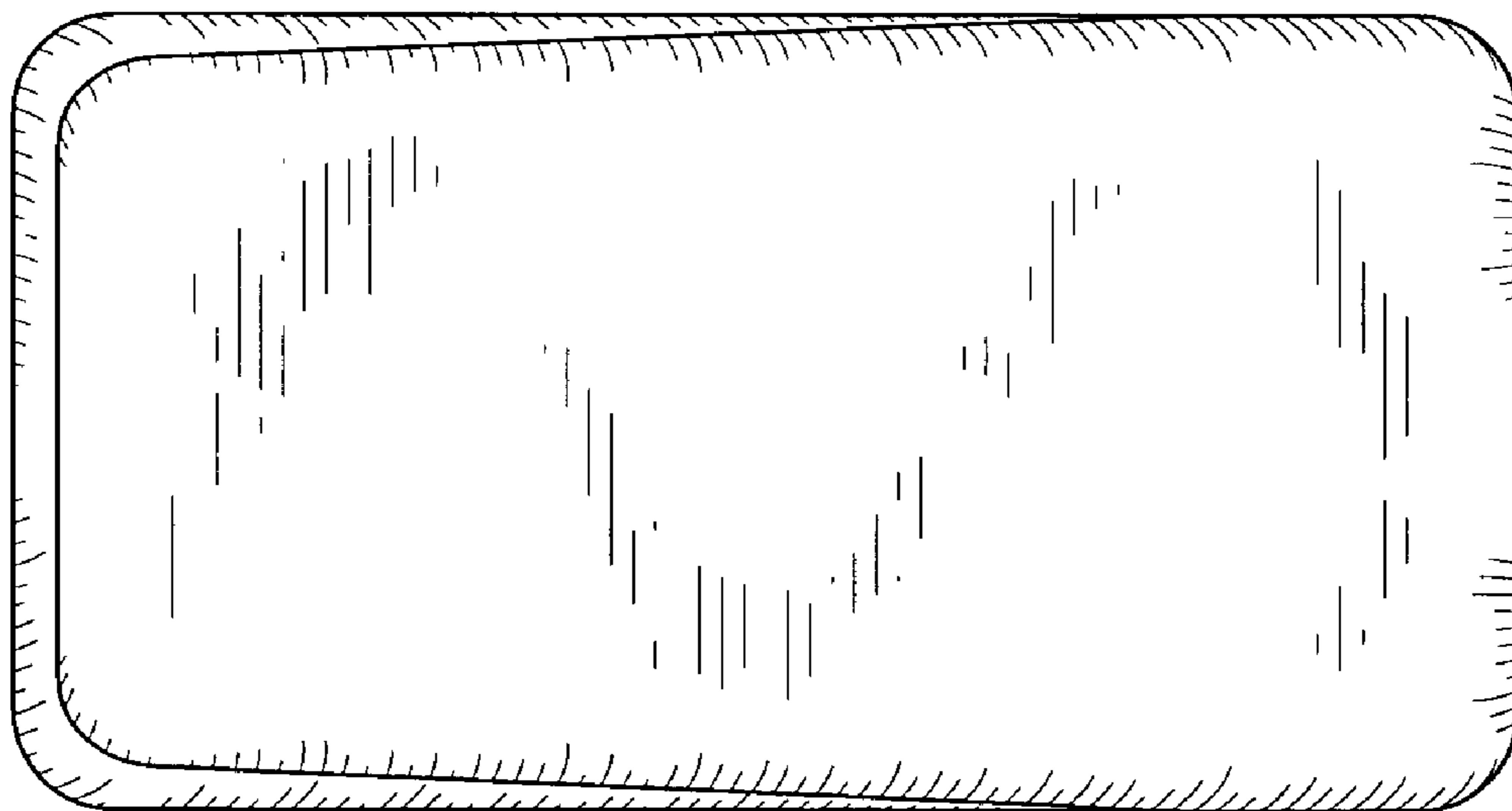
**FIG. 2**



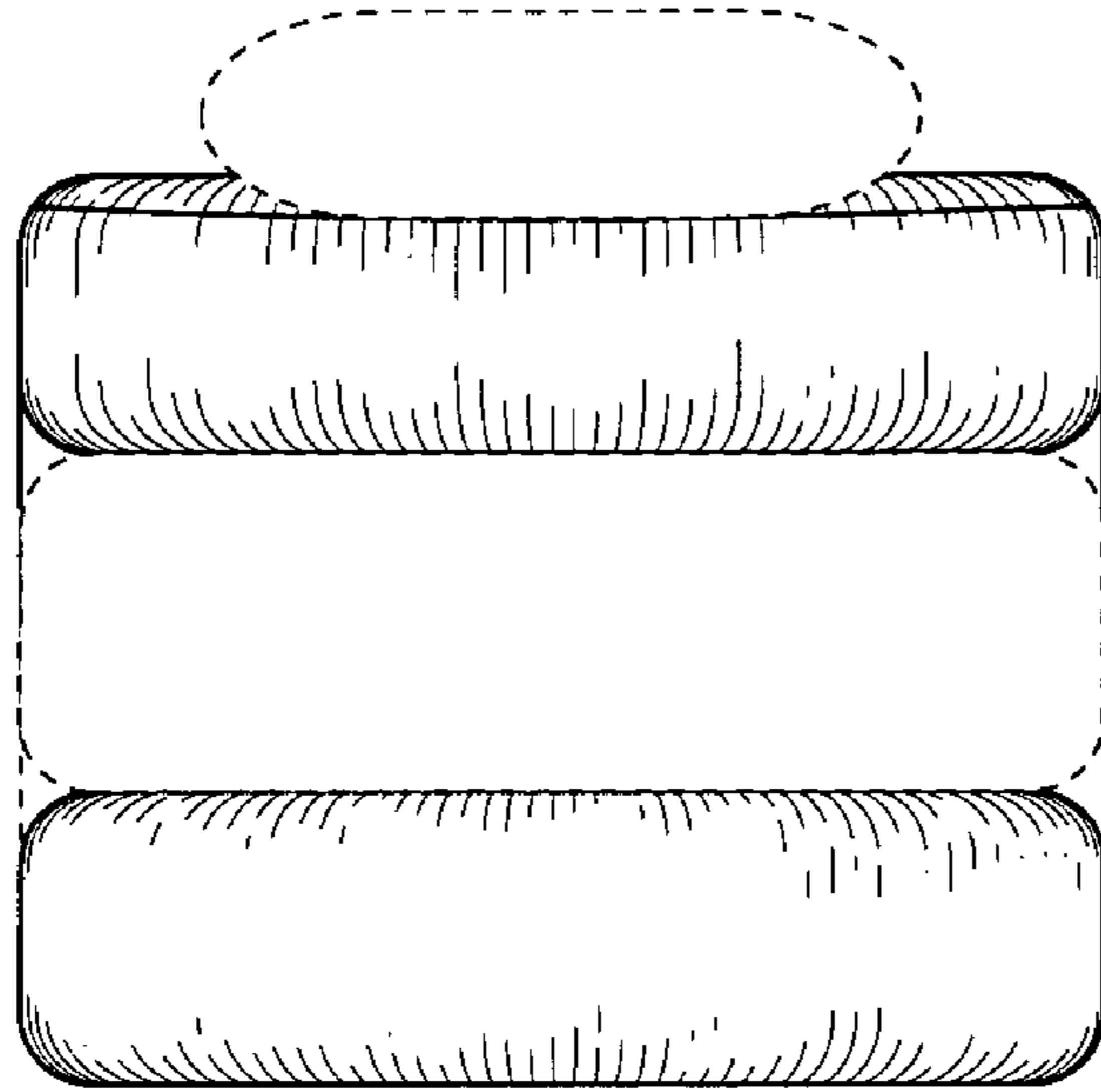
**FIG. 3**



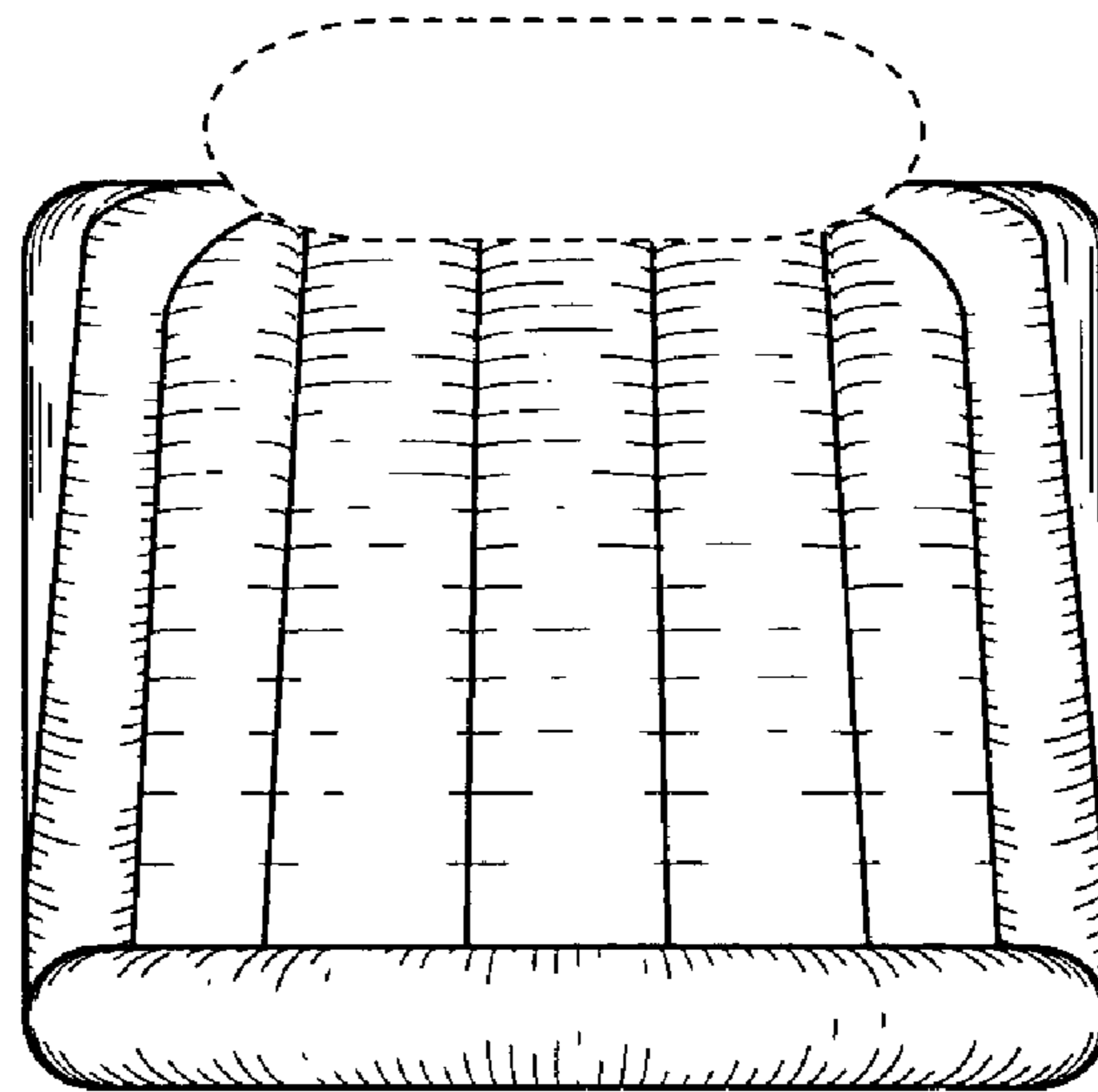
**FIG. 4**



**FIG. 5**



**FIG. 6**



**FIG. 7**