



US00D651839S

(12) **United States Design Patent**
Chen

(10) **Patent No.:** **US D651,839 S**
(45) **Date of Patent:** **** Jan. 10, 2012**

(54) **BALL STORAGE CONTAINER**

(76) Inventor: **Benjamin Chen**, Taichung (TW)

(**) Term: **14 Years**

(21) Appl. No.: **29/396,629**

(22) Filed: **Jul. 1, 2011**

(51) **LOC (9) Cl.** **08-08**

(52) **U.S. Cl.** **D6/552**

(58) **Field of Classification Search** D6/329,
D6/331, 396, 449, 462, 552; 211/13.1, 14,
211/181.1, 182; 206/315.1, 315.9; 248/309.1;
D3/306

See application file for complete search history.

(56) **References Cited**

U.S. PATENT DOCUMENTS

D365,716 S * 1/1996 Rose, Sr. D6/552
D431,907 S * 10/2000 Andujar et al. D3/306
D476,183 S * 6/2003 Bennett D6/552

D499,921 S * 12/2004 Moon et al. D6/552
* cited by examiner

Primary Examiner — Brian N Vinson

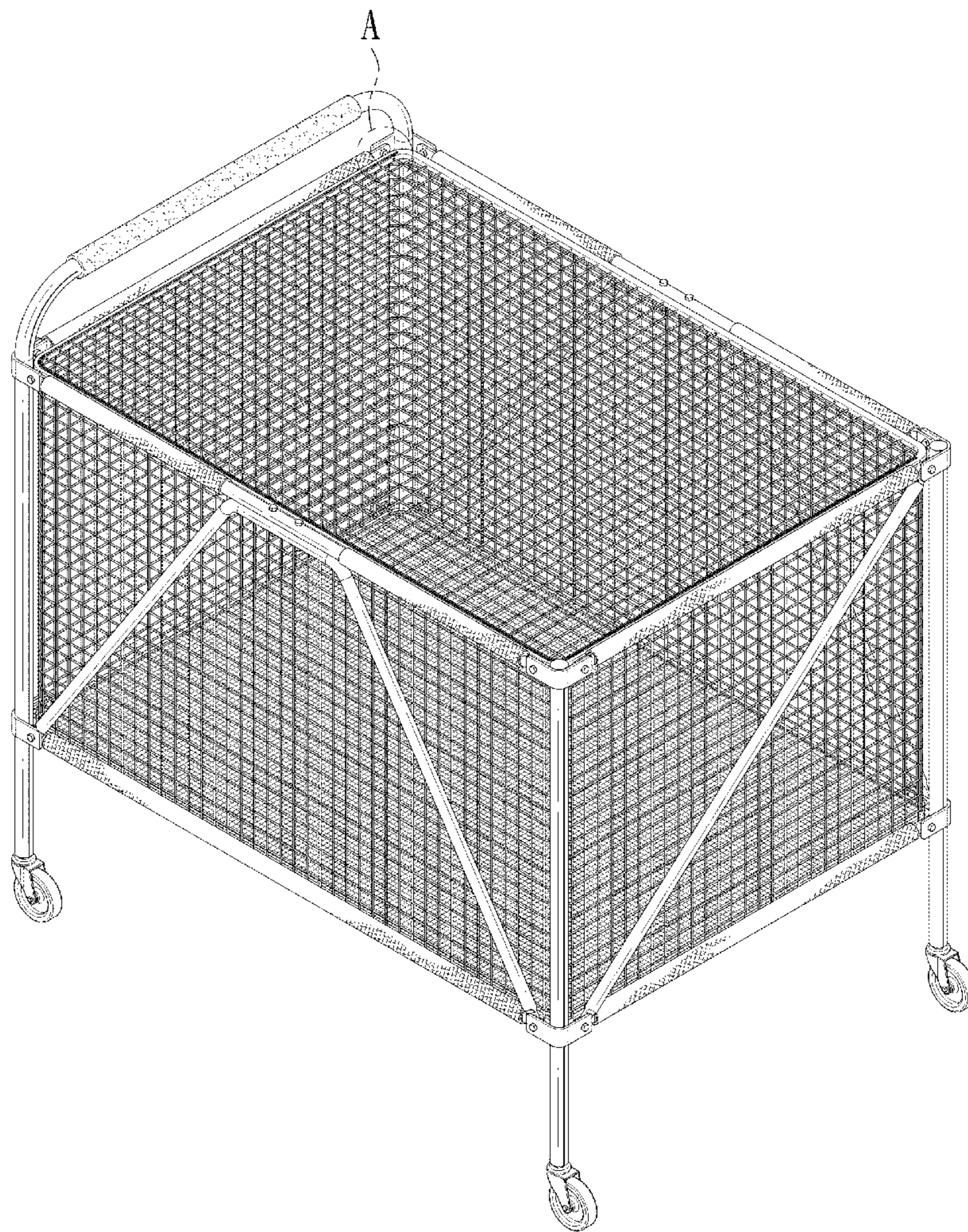
(57) **CLAIM**

The ornamental design for a ball storage container, as shown and described.

DESCRIPTION

FIG. 1 is a perspective view of a ball storage container showing my new design;
FIG. 2 is a front elevational view thereof;
FIG. 3 is a rear elevational view thereof;
FIG. 4 is a left side elevational view thereof;
FIG. 5 is a right side elevational view thereof;
FIG. 6 is a top plan view thereof;
FIG. 7 is a bottom plan view thereof; and,
FIG. 8 is a partial enlarged view of A thereof.
The broken lines are shown for illustrative purposes only and form no part of the claimed design.

1 Claim, 8 Drawing Sheets



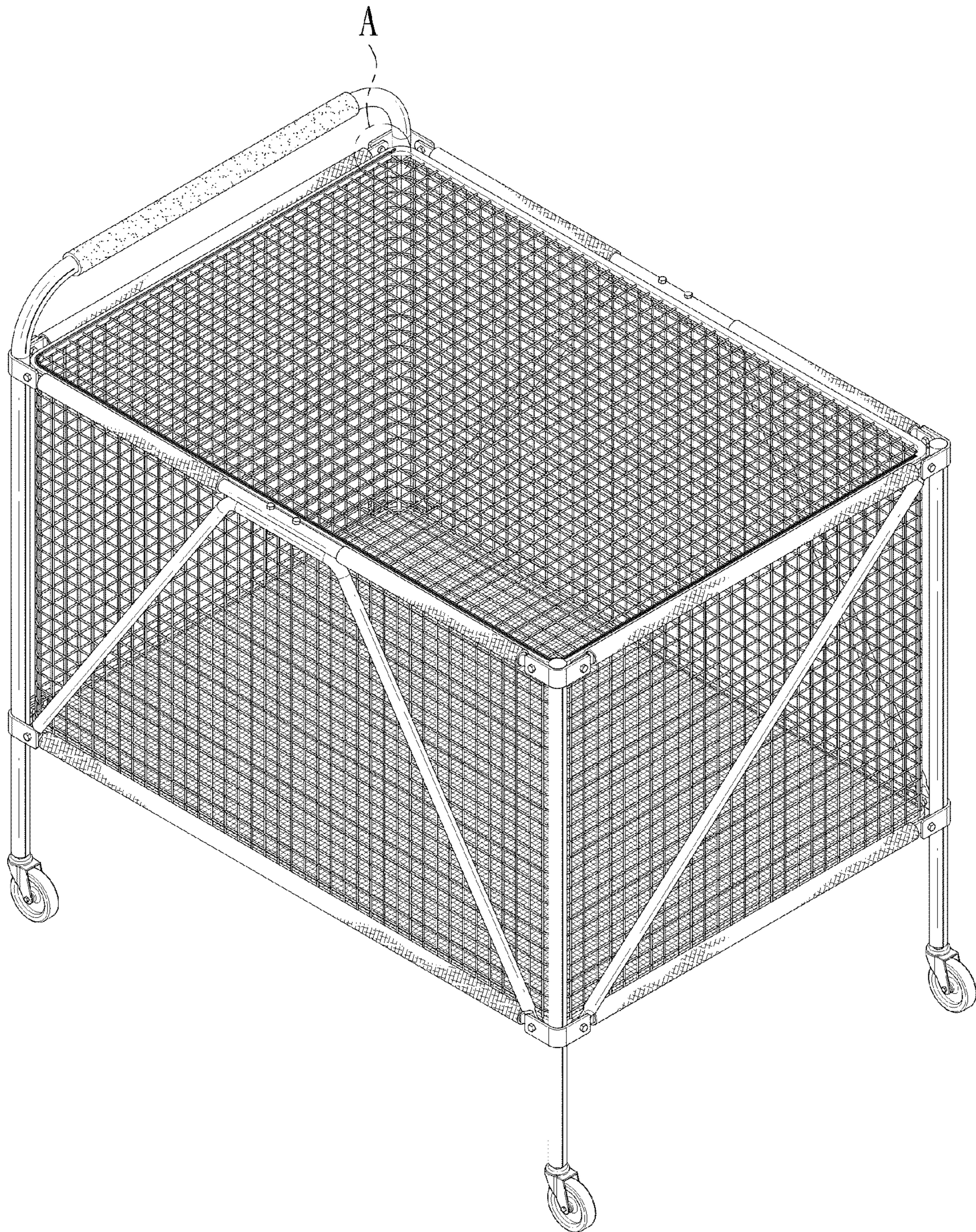


FIG. 1

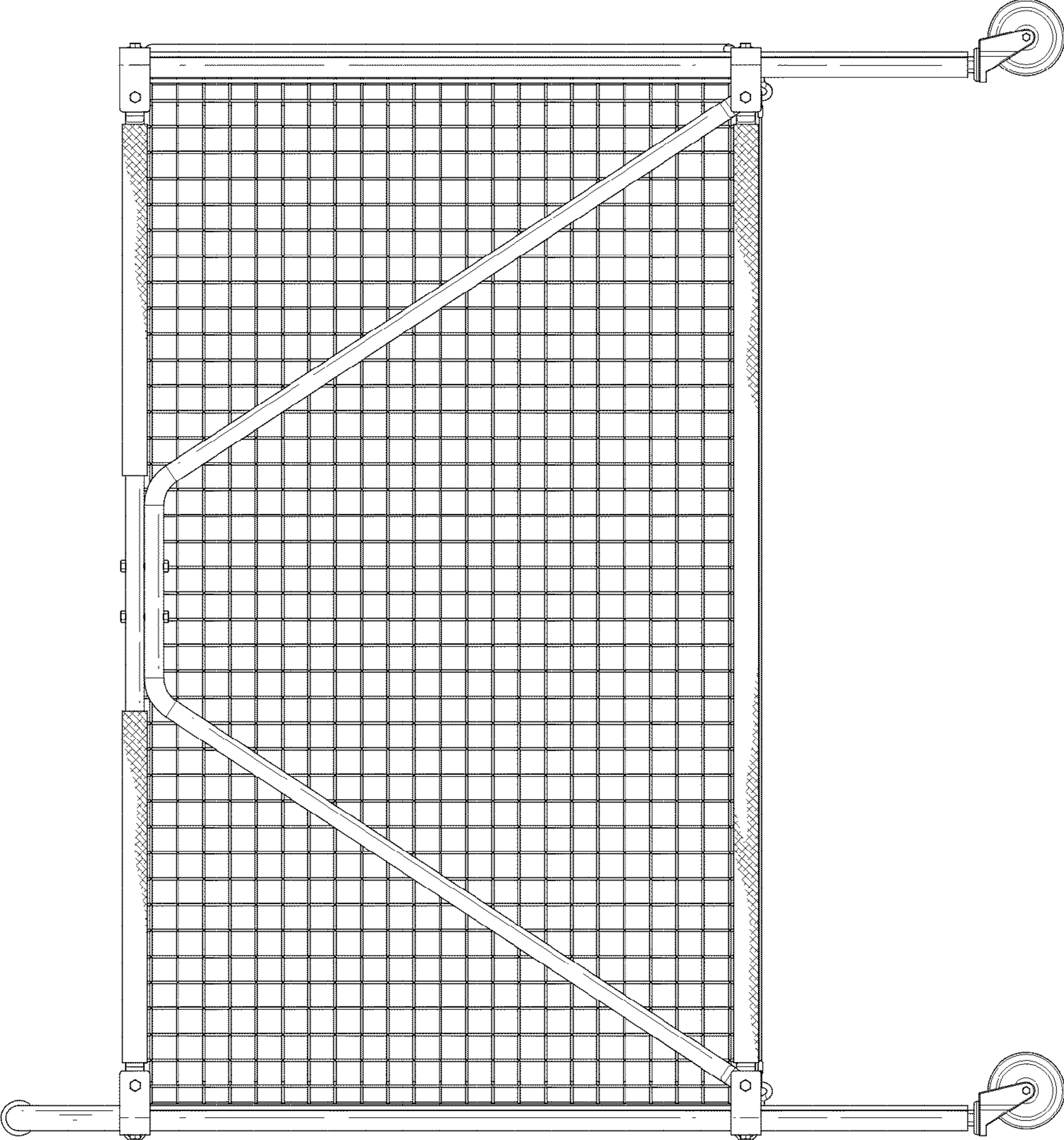


FIG. 2

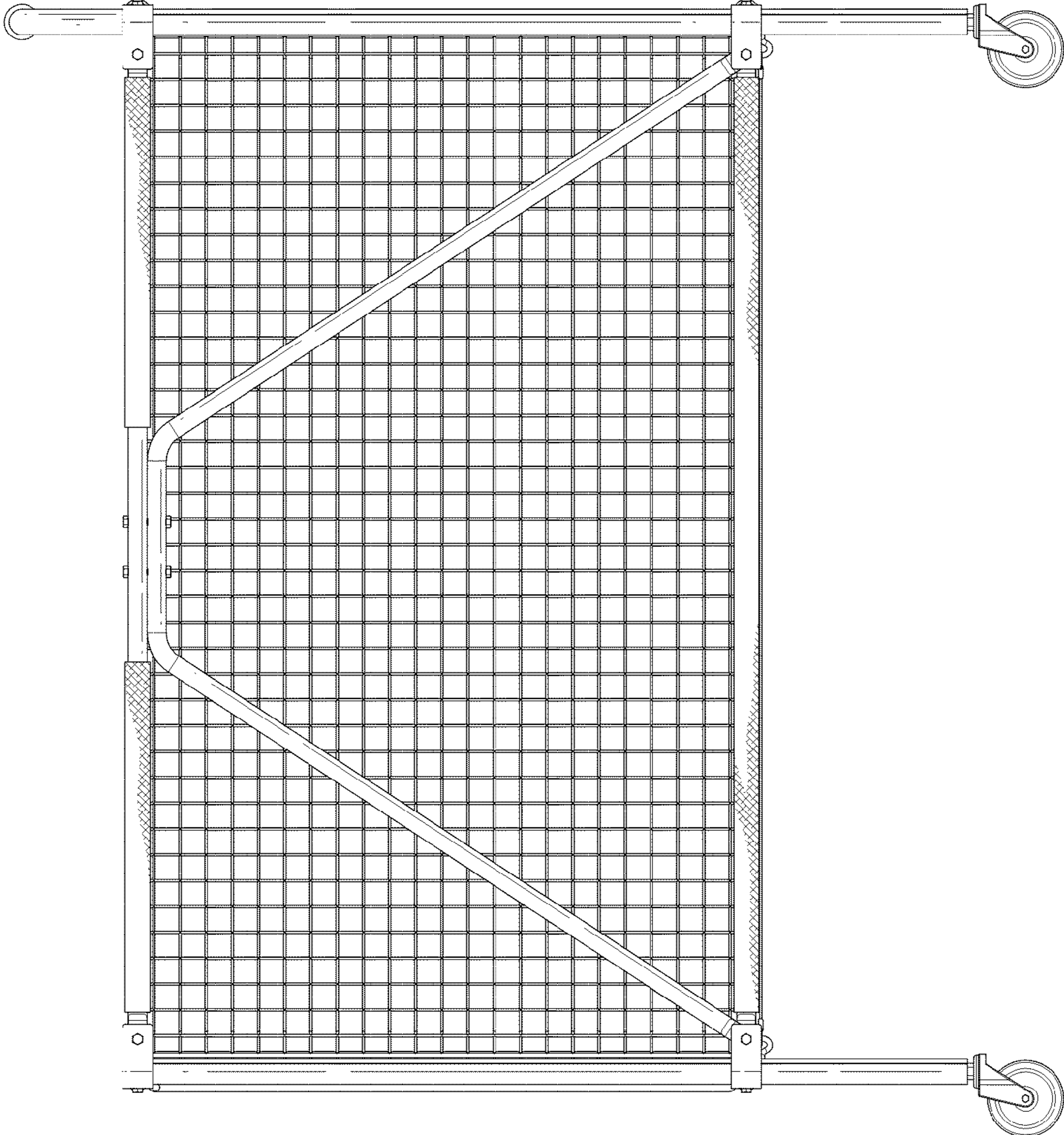


FIG. 3

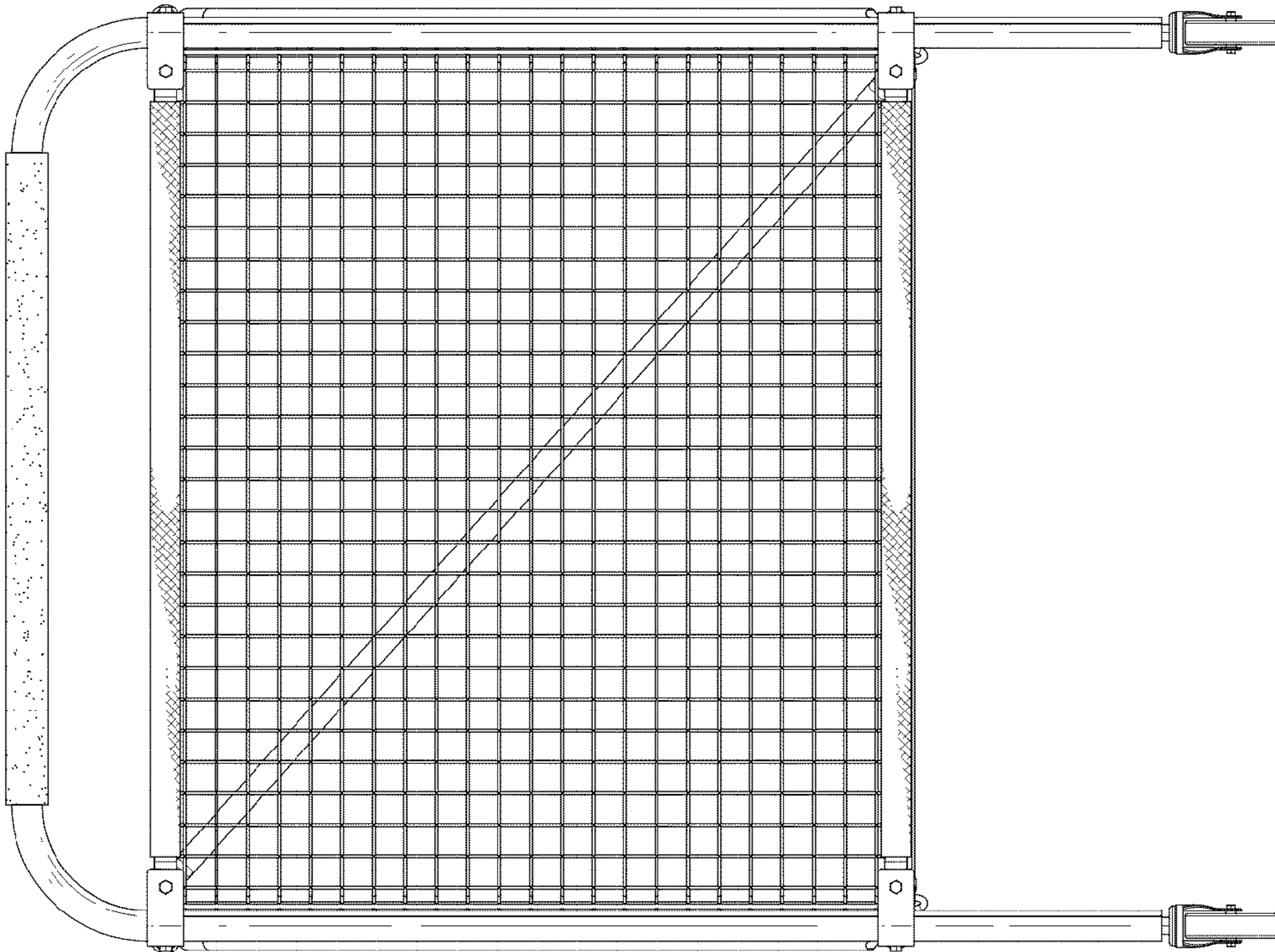


FIG. 4

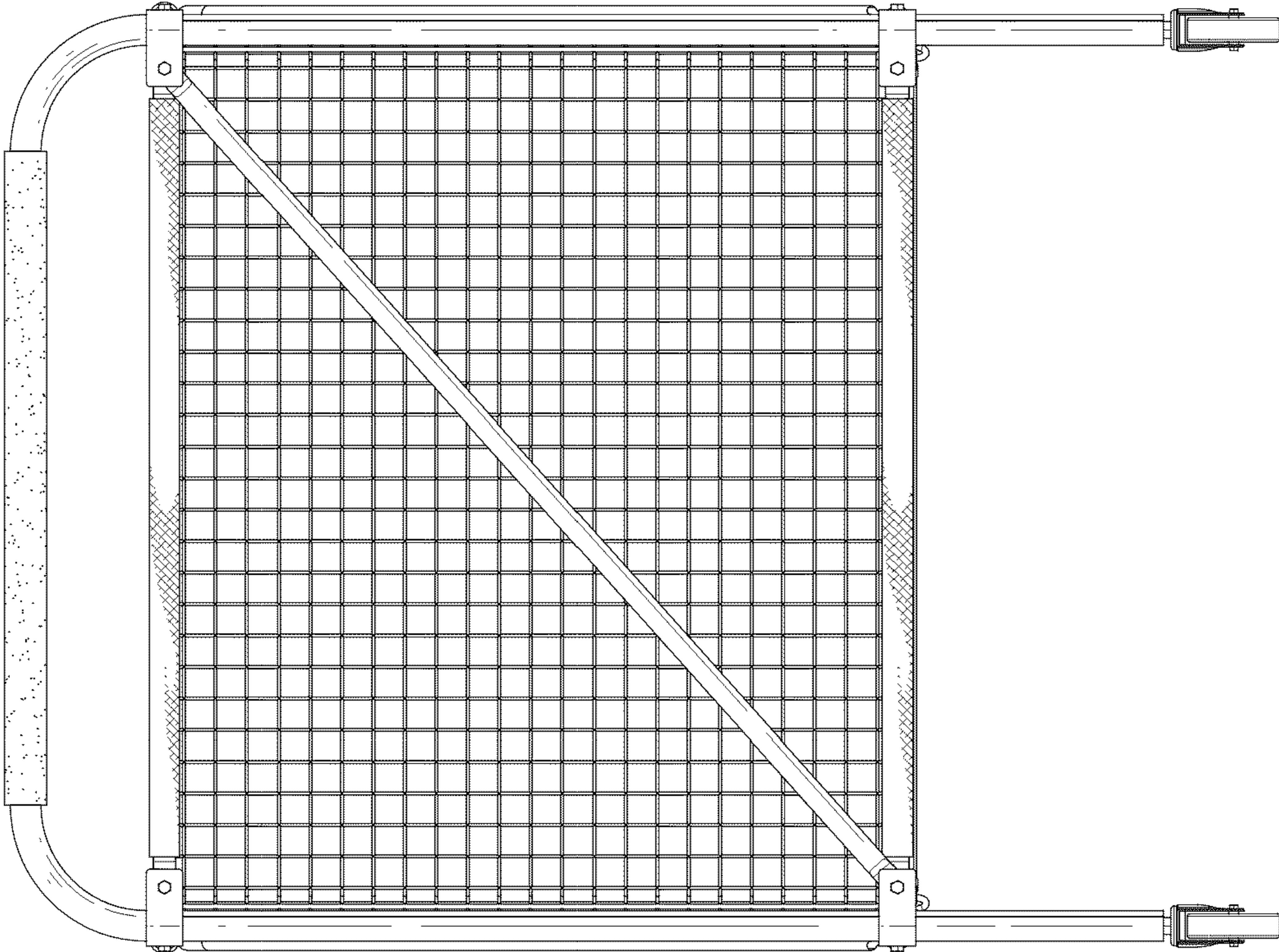


FIG. 5

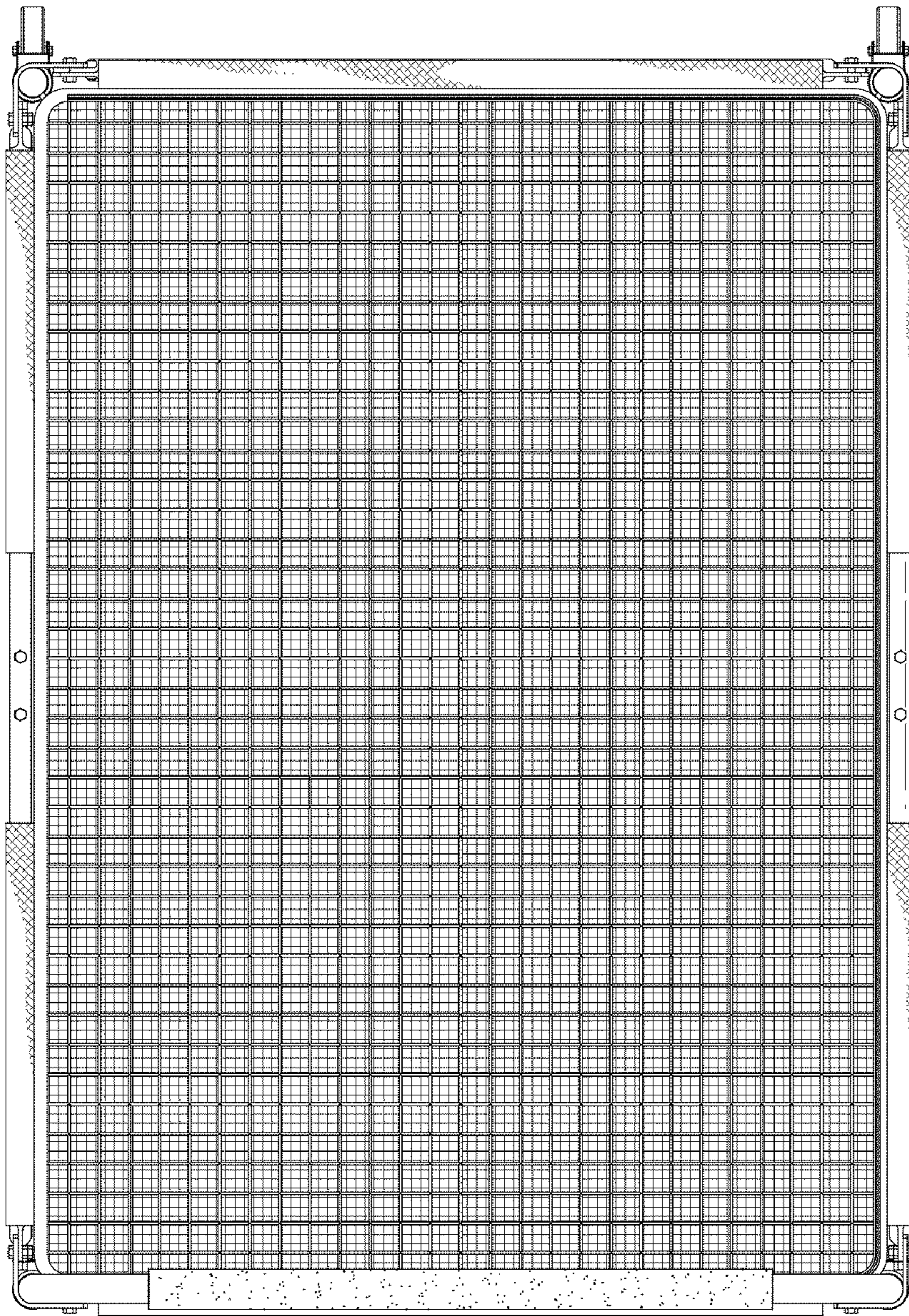


FIG. 6

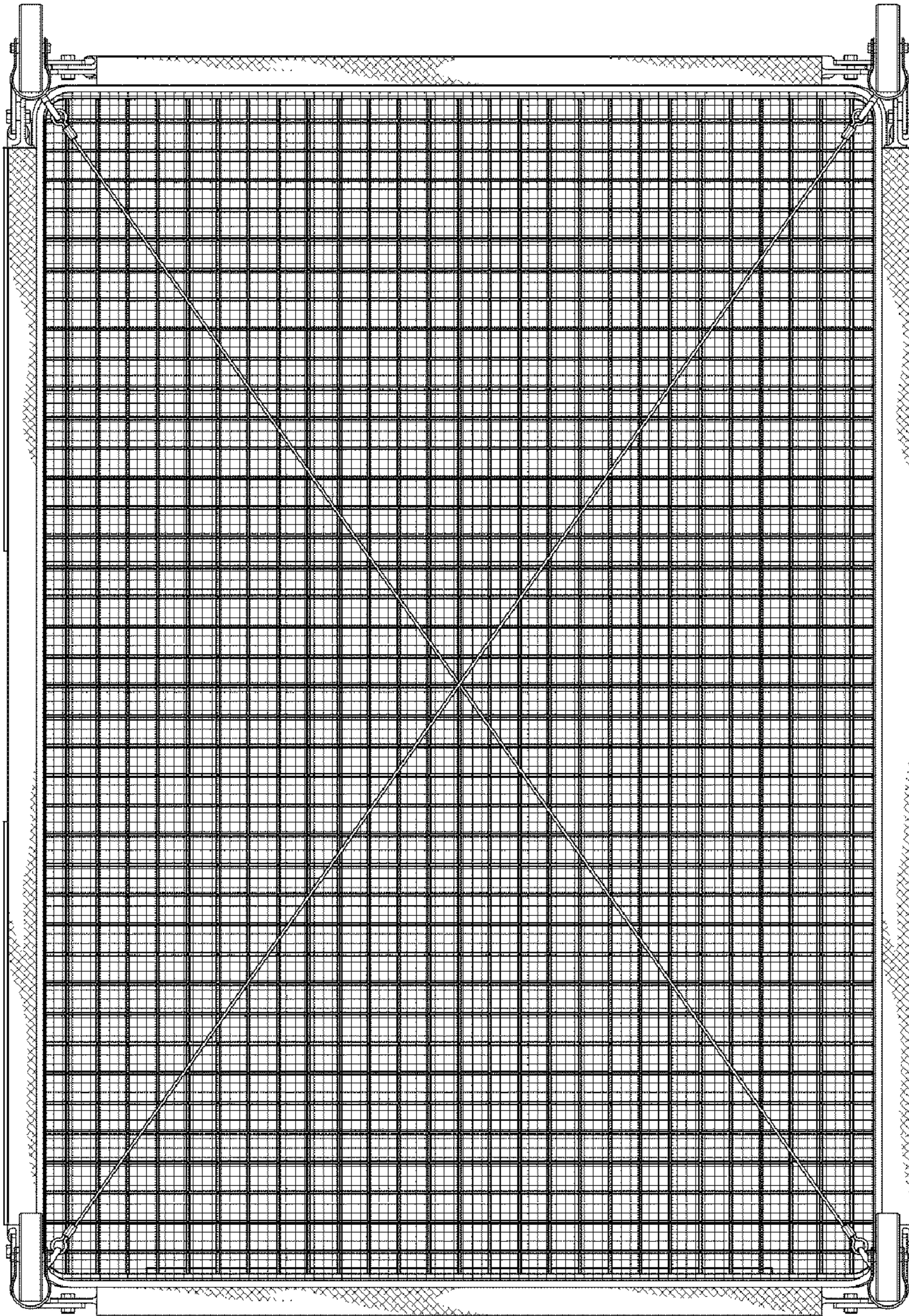


FIG. 7

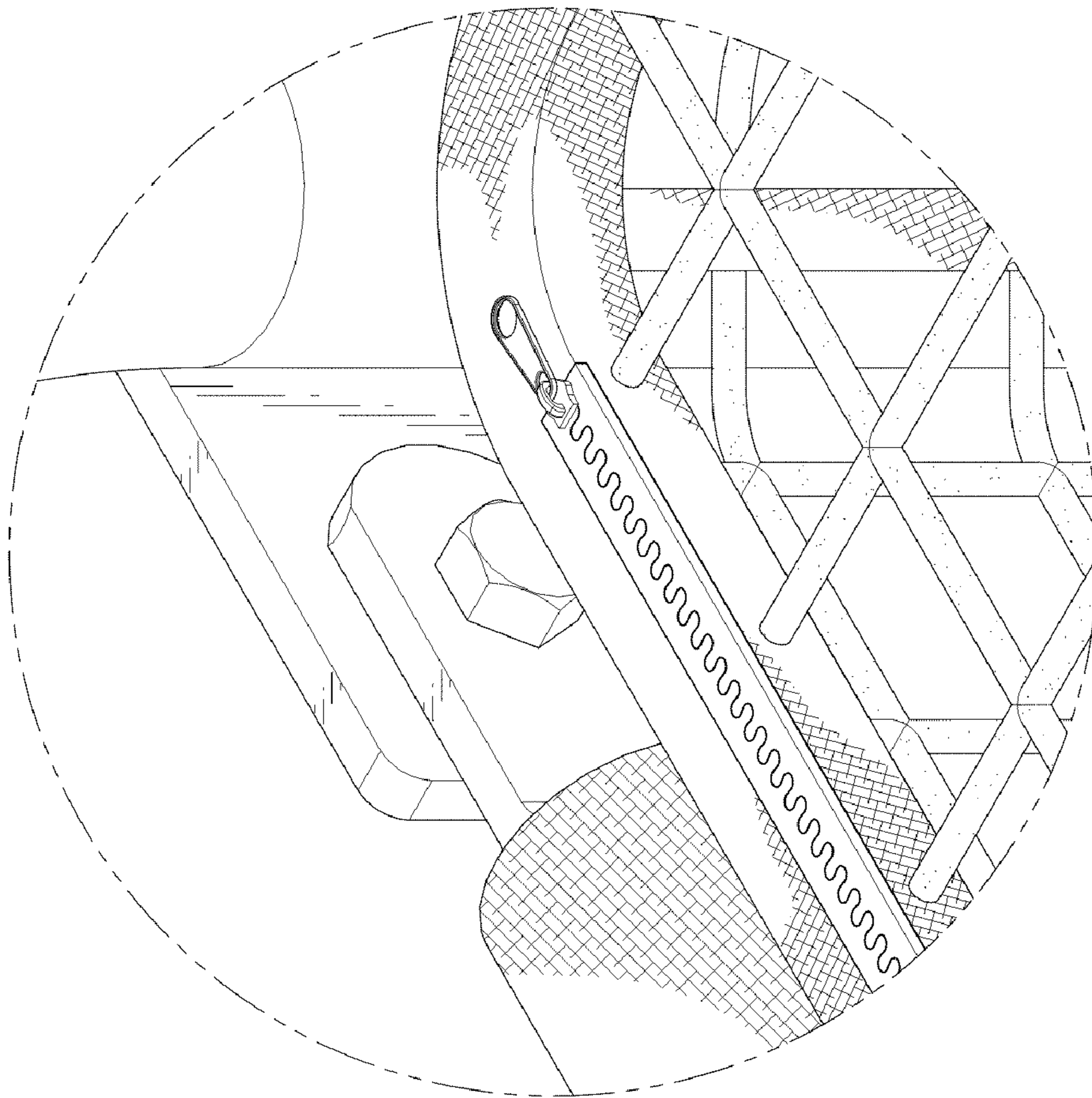


FIG. 8