



US00D651838S

(12) **United States Design Patent**  
**Yang et al.**

(10) **Patent No.:** **US D651,838 S**  
(45) **Date of Patent:** **\*\* Jan. 10, 2012**

(54) **SHELVING SYSTEM**

(75) Inventors: **Frank Yang**, Rancho Palos Verdes, CA (US); **Tzu-Hao Wei**, Hacienda Heights, CA (US); **Di-Fong Chang**, Torrance, CA (US); **Myk Lum**, Irvine, CA (US); **Adam Wade**, Rancho Santa Margarita, CA (US)

(73) Assignee: **simplehuman, LLC**, Torrance, CA (US)

(\*\*) Term: **14 Years**

(21) Appl. No.: **29/357,568**

(22) Filed: **Mar. 12, 2010**

(51) **LOC (9) Cl.** ..... **23-02**

(52) **U.S. Cl.** ..... **D6/525**

(58) **Field of Classification Search** ..... D6/524,  
D6/525, 566, 536, 540; 211/13.1, 74, 71.01,  
211/86.01, 75, 88.01, 90.01, 90.03, 106,  
211/119, 126.1, 133.5, 181.1, 134  
See application file for complete search history.

(56) **References Cited**

U.S. PATENT DOCUMENTS

141,186	A	7/1873	Thomas
163,852	A	6/1875	Denman
181,593	A	8/1876	Randall
387,758	A	8/1888	Barnhart
434,708	A	8/1890	Grier
475,020	A	5/1892	Perry
477,291	A	6/1892	Bomar
496,961	A	5/1893	Trude
543,935	A	8/1895	Hostler
612,061	A	10/1898	Shambaugh
613,231	A	11/1898	Bennett
618,425	A	1/1899	Manger
626,739	A	6/1899	Vanderman
644,080	A	2/1900	Huebel
839,339	A	12/1906	Tuttle
845,917	A	3/1907	Worley

913,955 A 3/1909 Hansen  
970,485 A 9/1910 Frey  
1,026,149 A 5/1912 Crane

(Continued)

FOREIGN PATENT DOCUMENTS

FR 2549361 1/1985

OTHER PUBLICATIONS

U.S. Appl. No. 12/628,453, filed Dec. 1, 2009, Yang et al.

(Continued)

*Primary Examiner* — Brian N Vinson

(74) *Attorney, Agent, or Firm* — Knobbe, Martens, Olson & Bear LLP

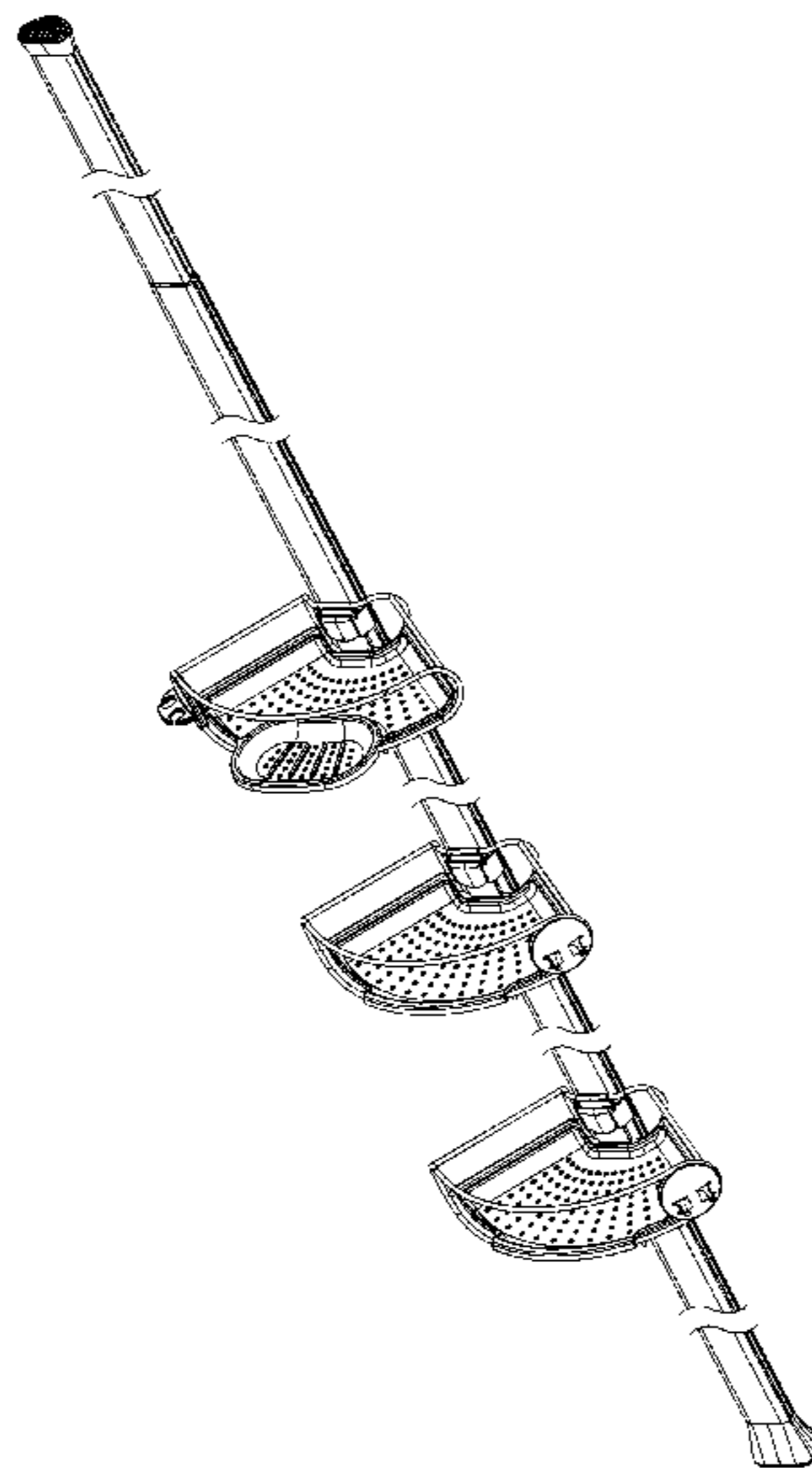
(57) **CLAIM**

The ornamental design for a shelving system, as shown and described.

**DESCRIPTION**

FIG. 1 is a front, top, and left side perspective view of a SHELVING SYSTEM embodying our new design; FIG. 2 is a front elevational view thereof; FIG. 3 is a rear elevational view thereof; FIG. 4 is a right side elevational view thereof; FIG. 5 is a left side elevational view thereof; FIG. 6 is a top plan view thereof; FIG. 7 is a bottom plan view thereof; FIG. 8 is a partial front, top, and left side perspective view thereof, showing the top shelving unit; FIG. 9 is a partial front top and left side perspective view thereof, showing the middle shelving unit; and, FIG. 10 is a partial front, top, and left side perspective view thereof, showing the lower shelving unit. The shelving system in accordance with the present design has elements shown broken away to indicate unclaimed length in FIGS. 1-5, and 8-10.

**1 Claim, 10 Drawing Sheets**



# US D651,838 S

U.S. PATENT DOCUMENTS			
1,446,036	A	2/1923	Dodd
1,478,339	A	12/1923	Jayne
1,511,704	A	10/1924	Buck
1,554,137	A	9/1925	Slifkin
1,582,762	A	4/1926	Klock
2,012,452	A	8/1935	Littell
2,042,517	A	6/1936	Ellis
2,254,770	A	9/1941	Bitney
2,513,889	A	7/1950	Nillson
2,677,519	A	5/1954	Hobson
2,746,661	A	5/1956	Kaplan
2,923,415	A	2/1960	Brown
2,932,873	A	4/1960	Reichert
2,937,766	A	5/1960	Penn
2,941,669	A	6/1960	Palay et al.
D188,332	S	7/1960	Salen
D189,722	S	2/1961	Wolf
2,976,003	A	3/1961	Foster
2,977,953	A	4/1961	Miller
3,035,708	A	5/1962	Freeman
3,043,440	A	7/1962	Berlin
3,059,374	A	10/1962	Bernay
3,088,598	A	5/1963	Werneke
D195,412	S	6/1963	Vernik
3,111,723	A	11/1963	Bates
3,115,107	A	12/1963	Glenny
3,132,609	A	5/1964	Chesley
3,181,923	A	5/1965	Gillon et al.
3,266,764	A	8/1966	Briles
3,307,710	A	3/1967	Negri
3,319,983	A	5/1967	Zibell
3,343,685	A	9/1967	Giambalvo
3,593,857	A	7/1971	Hernes
D222,276	S	10/1971	Hughes, Jr.
3,641,922	A	2/1972	Nachazel et al.
3,695,455	A	10/1972	Larson
3,787,078	A	1/1974	Williams
3,789,996	A	2/1974	Stroh
3,791,091	A	2/1974	Albrizzi
3,807,574	A	4/1974	Lanza
3,907,119	A	9/1975	Franz
3,923,162	A	12/1975	Hussey
D239,579	S	4/1976	Taub
3,998,334	A	12/1976	Smith
4,033,539	A	7/1977	Bardocz
4,096,951	A	6/1978	Menssen
4,106,736	A	8/1978	Becker et al.
4,232,790	A	11/1980	Serrano
4,274,400	A	6/1981	Baus
4,360,283	A	11/1982	Psotta
4,387,811	A	6/1983	Ragir et al.
4,415,091	A	11/1983	Wolff
4,428,488	A	1/1984	McAvinn et al.
4,437,450	A	3/1984	Connelly
D274,201	S	6/1984	Aaron
4,511,047	A	4/1985	Elinsky
4,541,131	A	9/1985	Sussman
4,559,879	A	12/1985	Hausser
D286,599	S	11/1986	Sussman
D289,353	S	4/1987	Davis et al.
4,664,428	A	5/1987	Bridges
4,761,092	A	8/1988	Nakatani
4,776,471	A	10/1988	Elkins
4,786,022	A	11/1988	Grieshaber
4,860,909	A	8/1989	Leumi
4,865,283	A	9/1989	Parker
4,909,467	A	3/1990	Shan-Pao
D314,294	S	2/1991	Axhamre
4,998,647	A	3/1991	Sharp
5,014,860	A	5/1991	Emery
5,023,755	A	6/1991	Rosenberg
5,127,528	A	7/1992	Cone
5,160,101	A	11/1992	Ferraro et al.
5,180,067	A	1/1993	Conaway et al.
5,192,427	A	3/1993	Eger et al.
5,197,614	A	3/1993	Dalton et al.
5,255,401	A	10/1993	Sambrookes et al.
5,284,260	A	2/1994	Caligiuri, Sr.
5,307,797	A	5/1994	Kleefeld
5,318,175	A	6/1994	Stevens
D351,751	S	10/1994	Brightbill et al.
5,355,867	A	10/1994	Hall et al.
5,429,252	A	7/1995	Liu
5,462,178	A	10/1995	Wallach et al.
5,483,761	A	1/1996	Simpson
5,505,318	A	4/1996	Goff
5,524,772	A	6/1996	Simmons
5,588,543	A	12/1996	Finger
5,632,049	A	5/1997	Chen
D382,733	S	8/1997	Goetz
5,666,940	A	9/1997	Kreiter
5,702,010	A	12/1997	Liang
D388,642	S	1/1998	Winter
5,735,413	A	4/1998	Allen
5,772,048	A	6/1998	Sopcisak
5,772,050	A	6/1998	Shih
D396,379	S	7/1998	Stoetzl
D396,585	S	8/1998	Hofman
5,833,192	A	11/1998	Buhrman
D402,145	S	12/1998	Hofman et al.
5,855,286	A	1/1999	Zaid
5,899,423	A	5/1999	Albertini
5,934,636	A	8/1999	Cyrell
5,941,397	A	8/1999	Buchanan et al.
5,984,114	A	11/1999	Frankel
D417,991	S	12/1999	Hofman et al.
D419,020	S	1/2000	Emery et al.
6,017,009	A	1/2000	Swartz et al.
D421,692	S	3/2000	Wojtowicz et al.
D421,867	S	3/2000	Carville et al.
D424,355	S	5/2000	Barton
6,065,618	A	5/2000	Stetler
D429,934	S	8/2000	Hofman
6,113,042	A	9/2000	Welsch et al.
6,135,668	A	10/2000	Lin
D443,162	S	6/2001	Winter
D444,333	S	7/2001	Ferrer Beltran
D446,670	S	8/2001	Emery et al.
6,302,280	B1	10/2001	Bermes
6,311,856	B2	11/2001	Battaglia et al.
6,318,572	B1	11/2001	Lai
6,347,777	B1	2/2002	Webber et al.
6,378,709	B1	4/2002	Stuart
6,394,404	B1	5/2002	Cyrell
6,409,029	B1	6/2002	Bermes
D462,552	S	9/2002	Emery et al.
6,481,586	B1	11/2002	Hoff
6,494,327	B2	12/2002	Huang
6,502,794	B1	1/2003	Ting
D470,703	S	2/2003	Hoernig
6,520,351	B1	2/2003	Zadro
6,527,473	B2	3/2003	Chen
D473,411	S	4/2003	Walker
6,540,430	B2	4/2003	Hsu
6,550,739	B1	4/2003	Brindisi
6,551,226	B1	4/2003	Webber et al.
D475,560	S	6/2003	Suero, Jr.
D475,561	S	6/2003	Suero, Jr.
6,575,315	B2	6/2003	Zidek
6,581,790	B1	6/2003	Zadro
6,591,996	B1	7/2003	Wu
6,619,164	B1	9/2003	Ricci et al.
6,648,152	B2	11/2003	Bermes
D483,251	S	12/2003	Suero, Jr.
6,688,238	B1	2/2004	Alexiou
6,726,034	B2	4/2004	Holbrook et al.
D489,207	S	5/2004	Rosen
D492,188	S	6/2004	Goldberg
6,758,355	B2	7/2004	Zidek
D493,991	S	8/2004	Dretzka
6,824,000	B2	11/2004	Samelson
6,848,144	B1	2/2005	McDonald
6,871,748	B2	3/2005	Suttles
6,918,498	B2	7/2005	Sparkowski
D509,361	S	9/2005	Suero, Jr.
6,957,794	B2	10/2005	Landreville et al.
D512,861	S	12/2005	Rosen

# US D651,838 S

Page 3

6,983,853 B1 1/2006 Ficket  
D516,901 S 3/2006 Murray  
7,086,633 B2 8/2006 Welch et al.  
D530,551 S 10/2006 Snell  
D534,062 S 12/2006 Van den Bosch  
7,195,213 B2 3/2007 Weatherly  
D543,747 S 6/2007 Harwanko  
D544,786 S 6/2007 Barrese  
7,229,059 B1 6/2007 Hood  
D546,879 S 7/2007 Qiu  
7,246,711 B1 7/2007 Metcalf  
D552,393 S 10/2007 Rosen  
D564,257 S \* 3/2008 Yang et al. .... D6/462  
7,347,197 B2 3/2008 Hankinson  
D566,991 S 4/2008 Harwanko  
D568,657 S 5/2008 Snider  
D568,658 S 5/2008 Yang et al.  
D569,148 S 5/2008 Yang et al.  
D572,060 S 7/2008 Snider  
D572,502 S 7/2008 Yang et al.  
D572,516 S 7/2008 Snider  
D573,386 S 7/2008 Clucas  
D573,387 S 7/2008 Walker  
D573,822 S 7/2008 Yang et al.  
7,398,790 B2 7/2008 Glatz  
7,401,754 B2 7/2008 Welch et al.  
D574,649 S 8/2008 Snider  
D574,650 S 8/2008 Snider  
D578,815 S 10/2008 Dominique et al.  
D587,504 S 3/2009 Russell et al.

D598,688 S 8/2009 Yang et al.  
2001/0004064 A1 6/2001 Battaglia et al.  
2002/0158033 A1 10/2002 Chen  
2002/0172549 A1 11/2002 Koros et al.  
2003/0000905 A1 1/2003 Zidek  
2003/0132181 A1 7/2003 Saulnier-Matteini  
2004/0188577 A1 9/2004 Gaderick  
2005/0040301 A1 2/2005 Walter  
2005/0139562 A1 6/2005 Chen  
2005/0205722 A1 9/2005 Krueger  
2006/0261022 A1 11/2006 Sampaio  
2007/0045208 A1 3/2007 Quan  
2007/0235611 A1 10/2007 Riblet  
2007/0295681 A1 12/2007 Colin  
2008/0000859 A1 1/2008 Yang et al.  
2008/0035592 A1 2/2008 Yang et al.  
2008/0053935 A1 3/2008 Newbould et al.  
2008/0142669 A1 6/2008 Zlotocha  
2009/0188880 A1 7/2009 Yang et al.  
2010/0133218 A1 6/2010 Yang et al.

## OTHER PUBLICATIONS

U.S. Appl. No. 29/334,143, filed Mar. 30, 2009, Yang et al.  
U.S. Appl. No. 29/351,158, filed Dec. 1, 2009, Yang et al.  
U.S. Appl. No. 29/357,566, filed Mar. 12, 2010, Yang et al.  
U.S. Appl. No. 29/357,567, filed Mar. 12, 2010, Yang et al.  
Partial European Search Report for European Application No. EP  
07008098, dated Mar. 28, 2011, in 9 pages.

\* cited by examiner

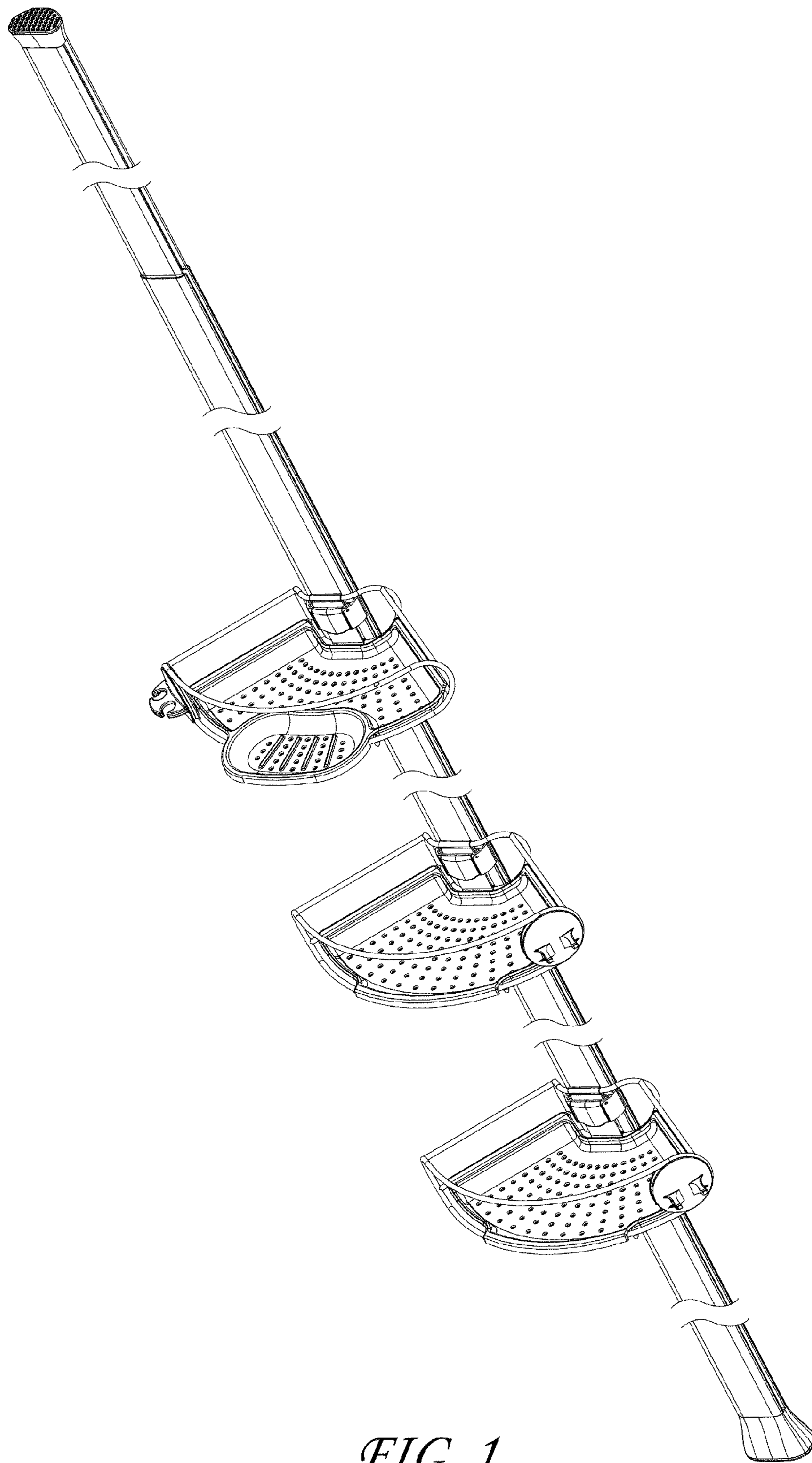
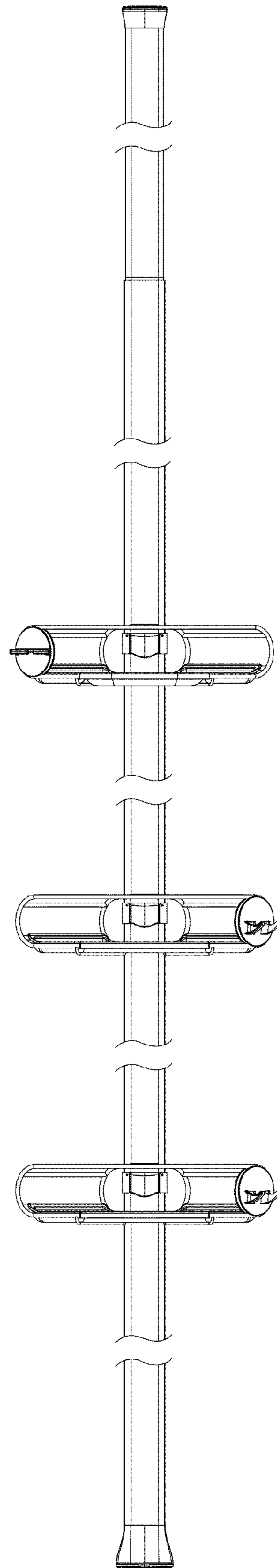
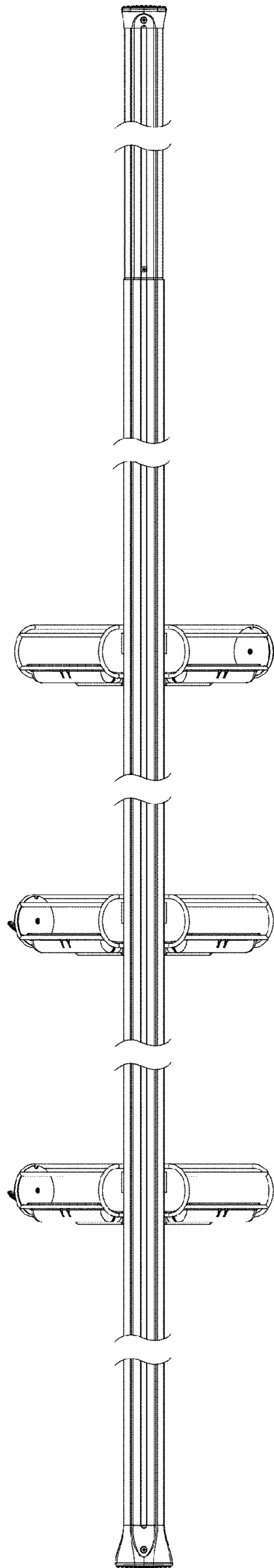


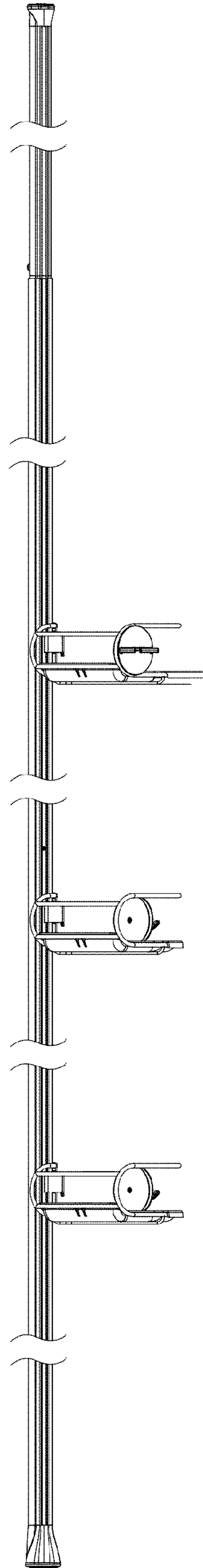
FIG. 1



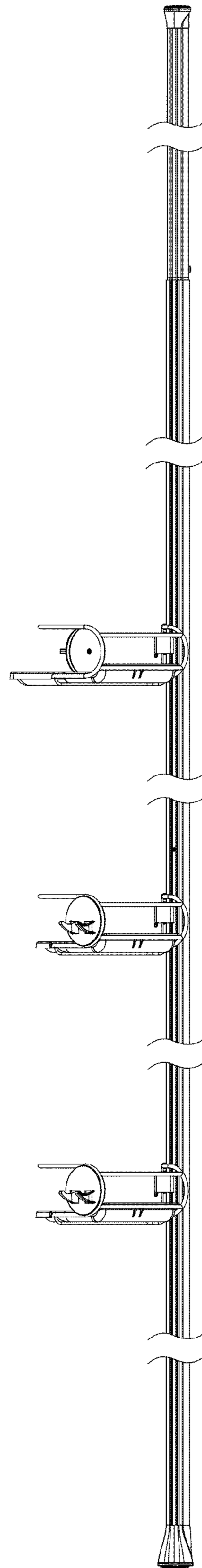
*FIG. 2*



*FIG. 3*

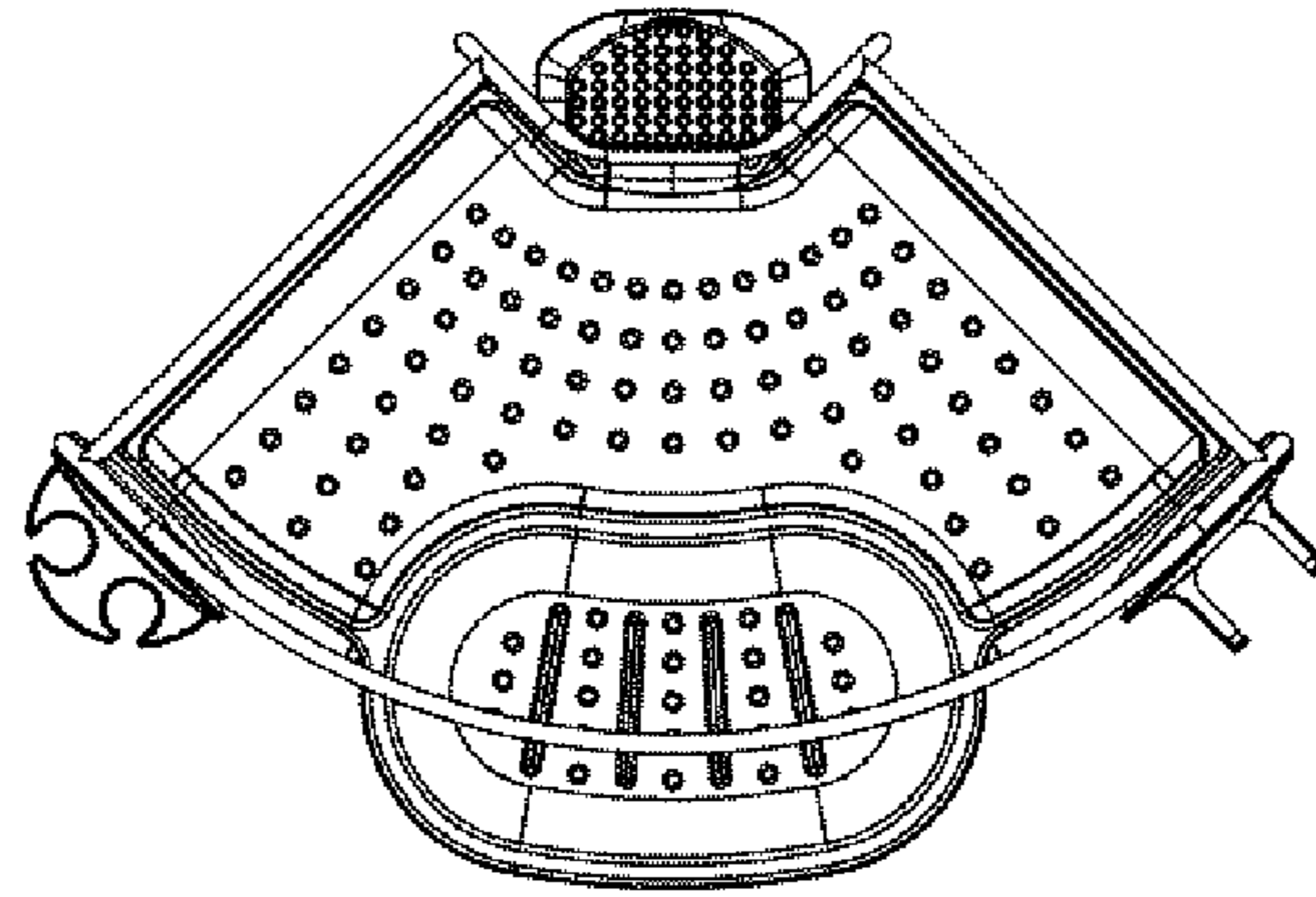


*FIG. 4*

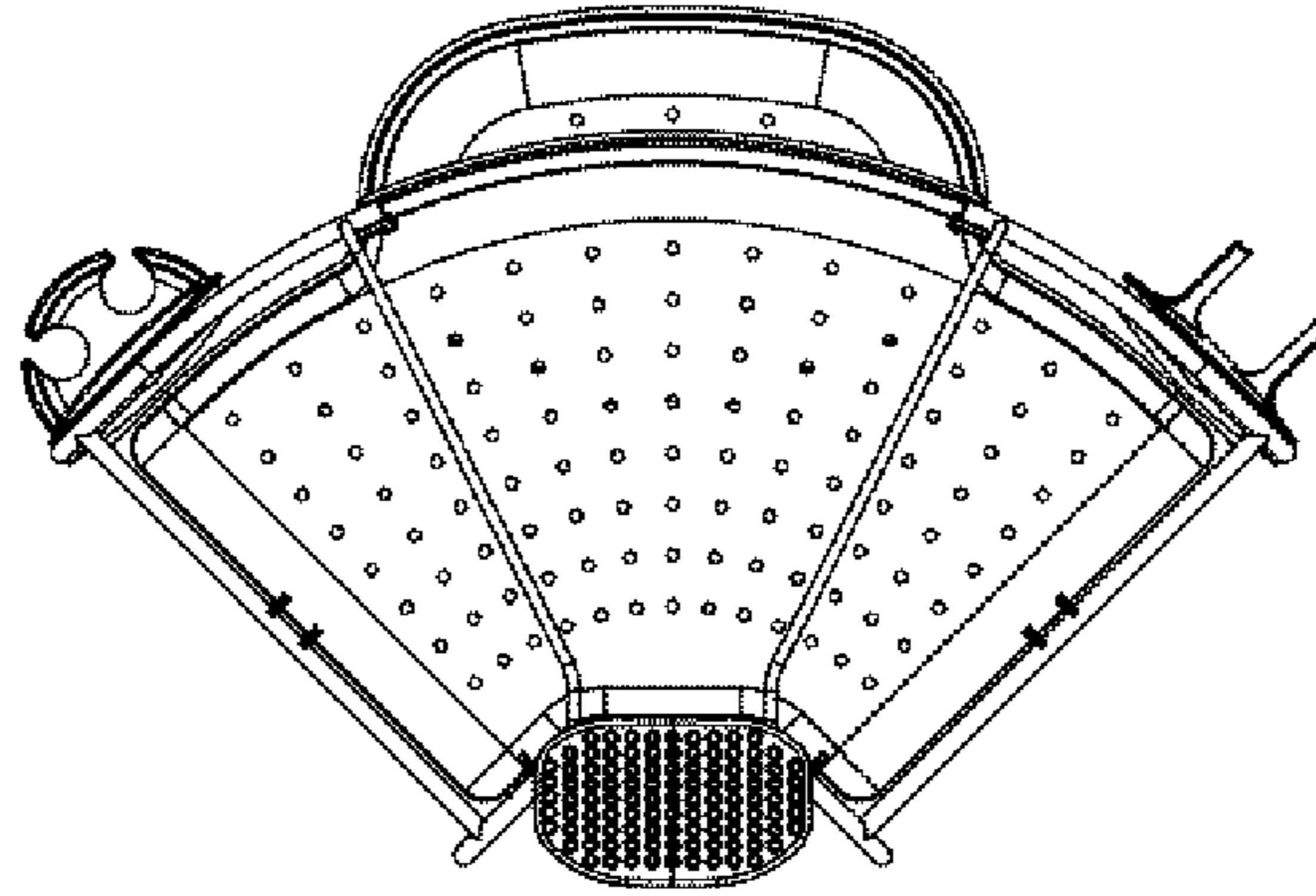


*FIG. 5*

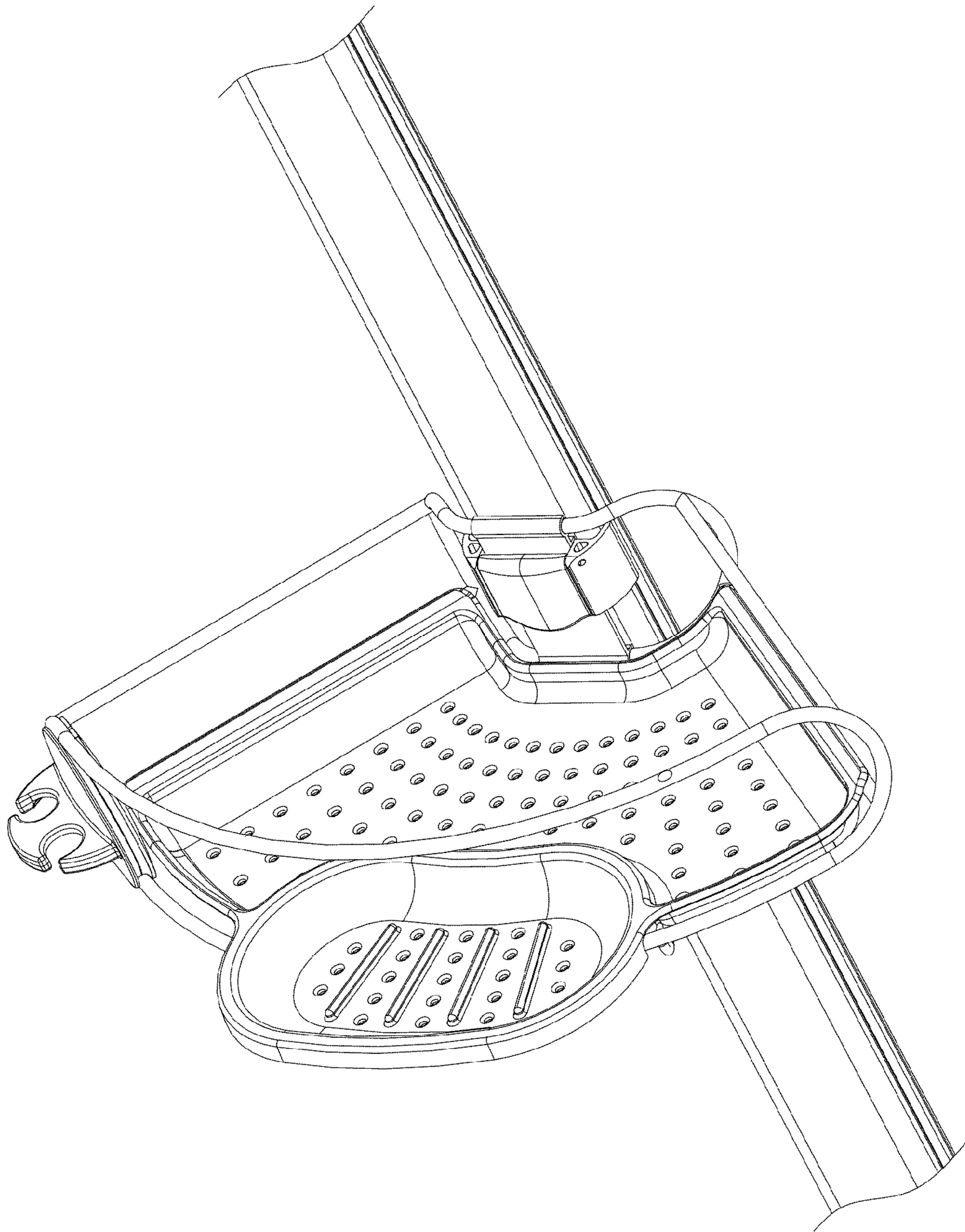




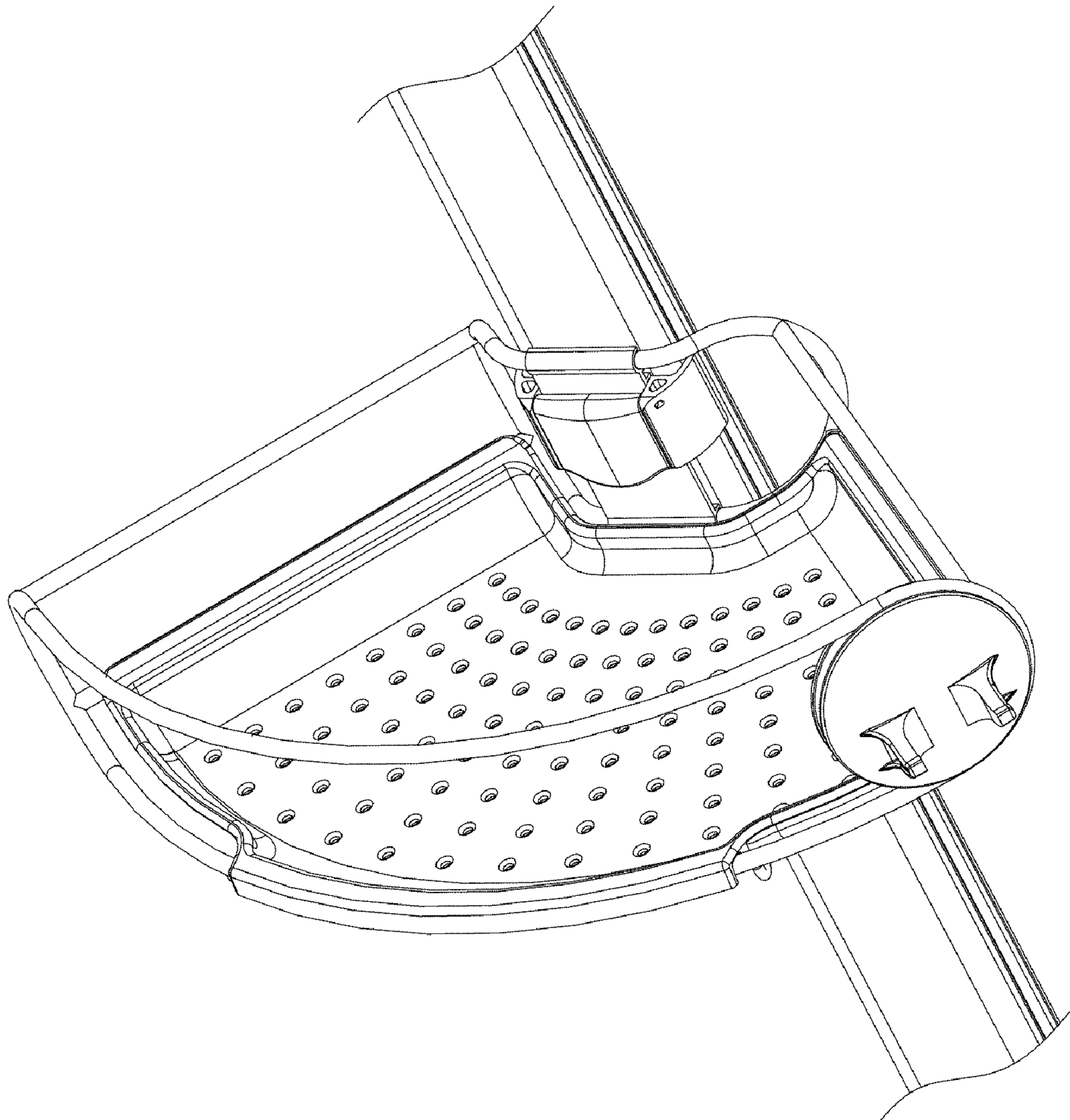
*FIG. 6*



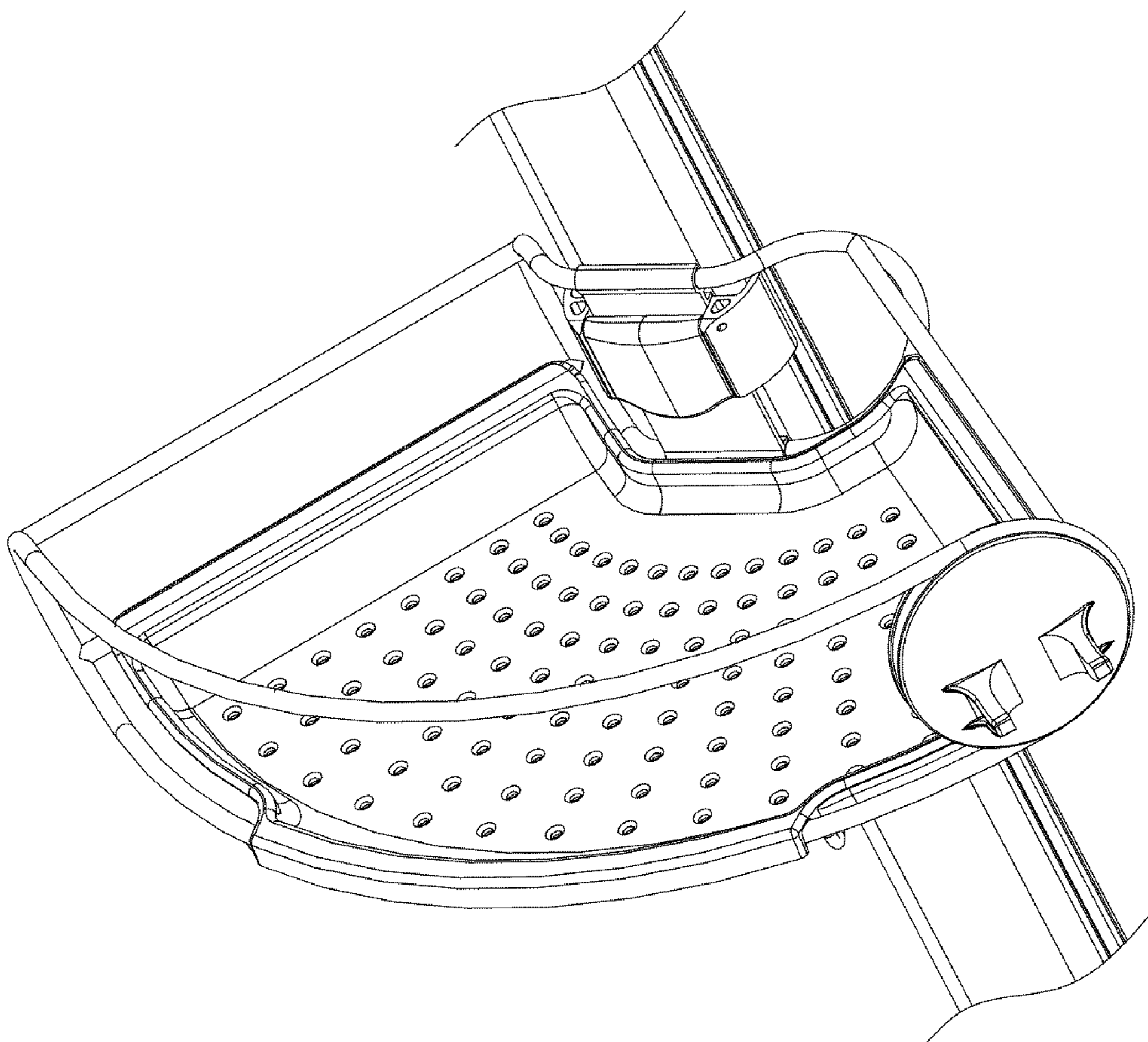
*FIG. 7*



*FIG. 8*



*FIG. 9*



*FIG. 10*

UNITED STATES PATENT AND TRADEMARK OFFICE  
**CERTIFICATE OF CORRECTION**

PATENT NO. : D651,838 S  
APPLICATION NO. : 29/357568  
DATED : January 10, 2012  
INVENTOR(S) : Frank Yang et al.

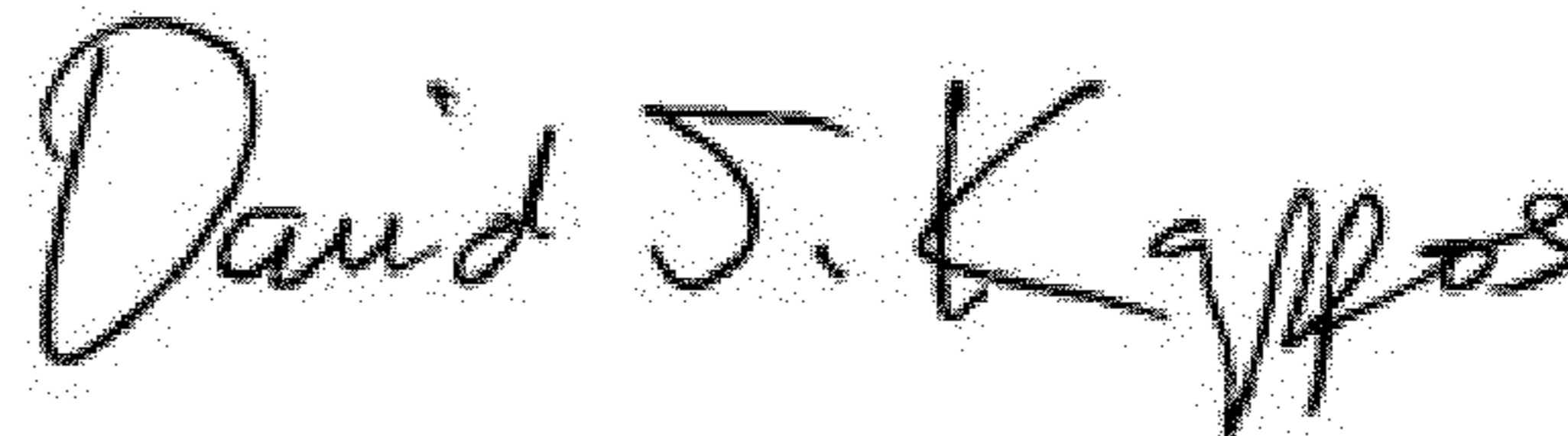
Page 1 of 1

It is certified that error appears in the above-identified patent and that said Letters Patent is hereby corrected as shown below:

At cover page, column 2 (Description), line 10, please change "unit" to --unit;--.

At cover page, column 2 (Description), line 11, please change "front top" to --front, top,--.

Signed and Sealed this  
Fourth Day of September, 2012

A handwritten signature in black ink that reads "David J. Kappos". The signature is written in a cursive style with a large initial 'D' and 'K'.

David J. Kappos  
*Director of the United States Patent and Trademark Office*