



US00D651837S

(12) **United States Design Patent**
Yang et al.

(10) **Patent No.:** **US D651,837 S**
(45) **Date of Patent:** **** Jan. 10, 2012**

(54) **SHELVING SYSTEM**

1,478,339 A 12/1923 Jayne
1,511,704 A 10/1924 Buck
1,554,137 A 9/1925 Slifkin

(Continued)

(75) Inventors: **Frank Yang**, Rancho Palos Verdes, CA (US); **Tzu-Hao Wei**, Hacienda Heights, CA (US); **Di-Fong Chang**, Torrance, CA (US); **Myk Lum**, Irvine, CA (US); **Adam Wade**, Rancho Santa Margarita, CA (US)

FOREIGN PATENT DOCUMENTS

FR 2549361 1/1985

OTHER PUBLICATIONS

(73) Assignee: **simplehuman, LLC**, Torrance, CA (US)

U.S. Appl. No. 12/628,453, filed Dec. 1, 2009, Yang et al.

(**) Term: **14 Years**

(Continued)

(21) Appl. No.: **29/357,567**

Primary Examiner — Brian N Vinson

(22) Filed: **Mar. 12, 2010**

(74) *Attorney, Agent, or Firm* — Knobbe, Martens, Olson & Bear LLP

(51) **LOC (9) Cl.** **23-02**

(52) **U.S. Cl.** **D6/525**

(58) **Field of Classification Search** D6/524,
D6/525, 566, 536, 540; 211/13.1, 74, 71.01,
211/86.01, 75, 88.01, 90.01, 90.03, 106,
211/119, 126.1, 133.5, 181.1, 134

(57) **CLAIM**

The ornamental design for a shelving system, as shown and described.

See application file for complete search history.

DESCRIPTION

(56) **References Cited**

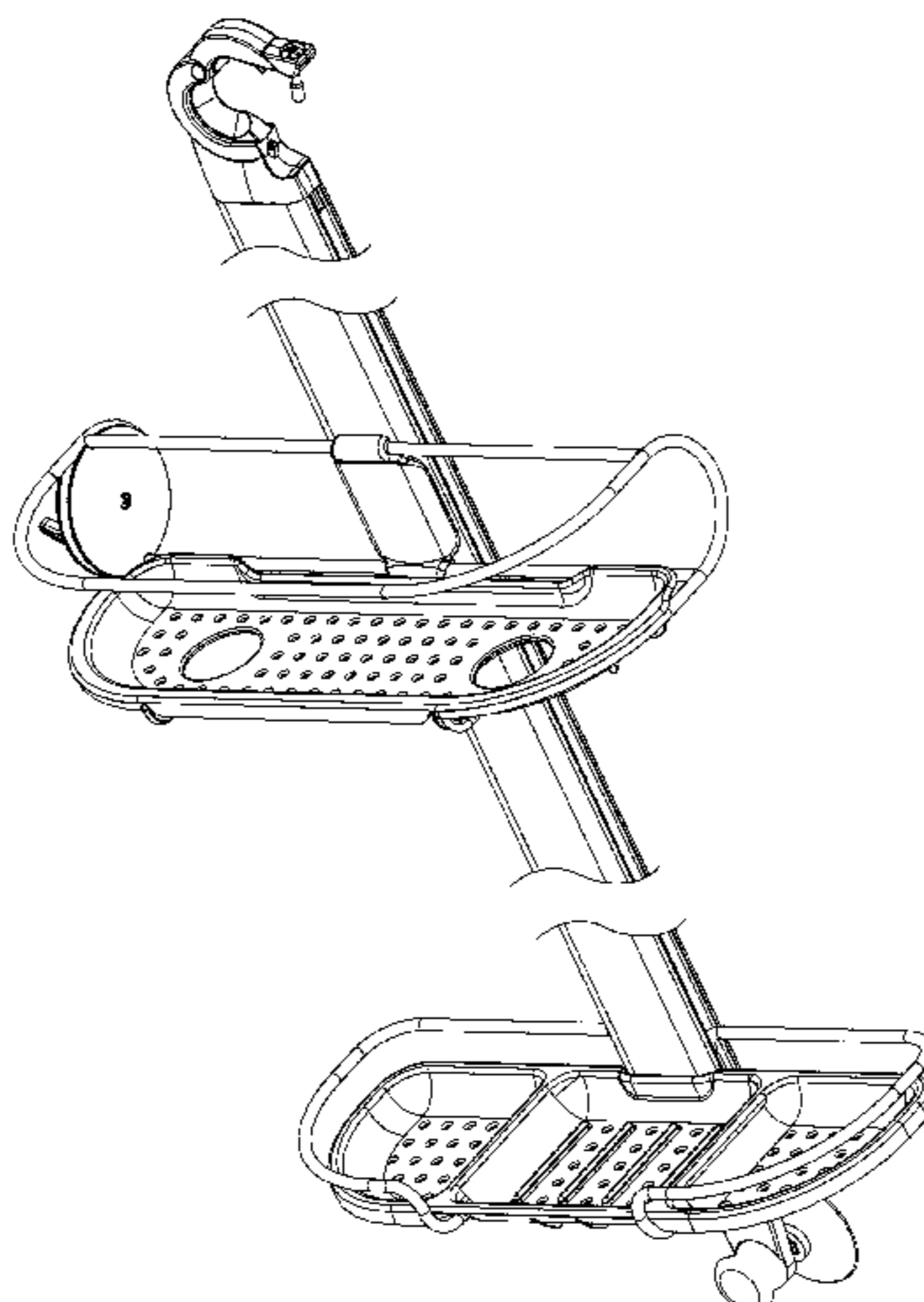
U.S. PATENT DOCUMENTS

141,186	A	7/1873	Thomas
163,852	A	6/1875	Denman
181,593	A	8/1876	Randall
387,758	A	8/1888	Barnhart
434,708	A	8/1890	Grier
475,020	A	5/1892	Perry
477,291	A	6/1892	Bomar
496,961	A	5/1893	Trude
543,935	A	8/1895	Hostler
612,061	A	10/1898	Shambaugh
613,231	A	11/1898	Bennett
618,425	A	1/1899	Manger
626,739	A	6/1899	Vanderman
644,080	A	2/1900	Huebel
839,339	A	12/1906	Tuttle
845,917	A	3/1907	Worley
913,955	A	3/1909	Hansen
970,485	A	9/1910	Frey
1,026,149	A	5/1912	Crane
1,446,036	A	2/1923	Dodd

FIG. 1 is a front, top, and left side perspective view of a shelving system embodying our new design; FIG. 2 is a front elevational view thereof; FIG. 3 is a rear elevational view thereof; FIG. 4 is a right side elevational view thereof; FIG. 5 is a left side elevational view thereof; FIG. 6 is a top plan view thereof; FIG. 7 is a bottom plan view thereof; FIG. 8 is a front, bottom, and right side perspective view thereof; FIG. 9 is a partial bottom plan view thereof, taken from between the first and second shelf units; and, FIG. 10 is a partial front, top, and left side perspective view thereof.

The shelving system in accordance with the present design has elements shown broken away to indicate unclaimed length in FIGS. 1-5, 8, and 10. All features illustrated in phantom line are expressly disclaimed and form no part of the claimed design.

1 Claim, 10 Drawing Sheets



US D651,837 S

U.S. PATENT DOCUMENTS					
1,582,762 A	4/1926	Klock	5,307,797 A	5/1994	Kleefeld
2,012,452 A	8/1935	Littell	5,318,175 A	6/1994	Stevens
2,042,517 A	6/1936	Ellis	D351,751 S	10/1994	Brightbill et al.
2,254,770 A	9/1941	Bitney	5,355,867 A	10/1994	Hall et al.
2,513,889 A	7/1950	Nillson	5,429,252 A	7/1995	Liu
2,677,519 A	5/1954	Hobson	5,462,178 A	10/1995	Wallach et al.
2,746,661 A	5/1956	Kaplan	5,483,761 A	1/1996	Simpson
2,923,415 A	2/1960	Brown	5,505,318 A	4/1996	Goff
2,932,873 A	4/1960	Reichert	5,524,772 A	6/1996	Simmons
2,937,766 A	5/1960	Penn	5,588,543 A	12/1996	Finger
2,941,669 A	6/1960	Palay et al.	5,632,049 A	5/1997	Chen
D188,332 S	7/1960	Salen	D382,733 S	8/1997	Goetz
D189,722 S	2/1961	Wolf	5,666,940 A	9/1997	Kreiter
2,976,003 A	3/1961	Foster	5,702,010 A	12/1997	Liang
2,977,953 A	4/1961	Miller	D388,642 S	1/1998	Winter
3,035,708 A	5/1962	Freeman	5,735,413 A	4/1998	Allen
3,043,440 A	7/1962	Berlin	5,772,048 A	6/1998	Sopcisak
3,059,374 A	10/1962	Bernay	5,772,050 A	6/1998	Shih
3,088,598 A	5/1963	Werneke	D396,379 S	7/1998	Stoetzl
D195,412 S	6/1963	Vernik	D396,585 S	8/1998	Hofman
3,111,723 A	11/1963	Bates	5,833,192 A	11/1998	Buhrman
3,115,107 A	12/1963	Glenny	D402,145 S	12/1998	Hofman et al.
3,132,609 A	5/1964	Chesley	5,855,286 A	1/1999	Zaid
3,181,923 A	5/1965	Guillon et al.	5,899,423 A	5/1999	Albertini
3,266,764 A	8/1966	Briles	5,934,636 A	8/1999	Cyrell
3,307,710 A	3/1967	Negri	5,941,397 A	8/1999	Buchanan et al.
3,319,983 A	5/1967	Zibell	5,984,114 A	11/1999	Frankel
3,343,685 A	9/1967	Giambalvo	D417,991 S	12/1999	Hofman et al.
3,593,857 A	7/1971	Hernes	D419,020 S	1/2000	Emery et al.
D222,276 S	10/1971	Hughes, Jr.	6,017,009 A	1/2000	Swartz et al.
3,641,922 A	2/1972	Nachazel et al.	D421,692 S	3/2000	Wojtowicz et al.
3,695,455 A	10/1972	Larson	D421,867 S	3/2000	Carville et al.
3,787,078 A	1/1974	Williams	D424,355 S	5/2000	Barton
3,789,996 A	2/1974	Stroh	6,065,618 A	5/2000	Stetler
3,791,091 A	2/1974	Albrizzi	D429,934 S *	8/2000	Hofman D6/525
3,807,574 A	4/1974	Lanza	6,113,042 A	9/2000	Welsch et al.
3,907,119 A	9/1975	Franz	6,135,668 A	10/2000	Lin
3,923,162 A	12/1975	Hussey	D443,162 S	6/2001	Winter
D239,579 S	4/1976	Taub	D444,333 S	7/2001	Ferrer Beltran
3,998,334 A	12/1976	Smith	D446,670 S	8/2001	Emery et al.
4,033,539 A	7/1977	Bardocz	6,302,280 B1	10/2001	Bermes
4,096,951 A	6/1978	Menssen	6,311,856 B2	11/2001	Battaglia et al.
4,106,736 A	8/1978	Becker et al.	6,318,572 B1	11/2001	Lai
4,232,790 A	11/1980	Serrano	6,347,777 B1	2/2002	Webber et al.
4,274,400 A	6/1981	Baus	6,378,709 B1	4/2002	Stuart
4,360,283 A	11/1982	Psotta	6,394,404 B1	5/2002	Cyrell
4,387,811 A	6/1983	Ragir et al.	6,409,029 B1	6/2002	Bermes
4,415,091 A	11/1983	Wolff	D462,552 S	9/2002	Emery et al.
4,428,488 A	1/1984	McAvinn et al.	6,481,586 B1	11/2002	Hoff
4,437,450 A	3/1984	Connelly	6,494,327 B2	12/2002	Huang
D274,201 S	6/1984	Aaron	6,502,794 B1	1/2003	Ting
4,511,047 A	4/1985	Elinsky	D470,703 S	2/2003	Hoernig
4,541,131 A	9/1985	Sussman	6,520,351 B1	2/2003	Zadro
4,559,879 A	12/1985	Hausser	6,527,473 B2	3/2003	Chen
D286,599 S	11/1986	Sussman	D473,411 S	4/2003	Walker
D289,353 S	4/1987	Davis et al.	6,540,430 B2	4/2003	Hsu
4,664,428 A	5/1987	Bridges	6,550,739 B1	4/2003	Brindisi
4,761,092 A	8/1988	Nakatani	6,551,226 B1	4/2003	Webber et al.
4,776,471 A	10/1988	Elkins	D475,560 S	6/2003	Suero, Jr.
4,786,022 A	11/1988	Grieshaber	D475,561 S	6/2003	Suero, Jr.
4,860,909 A	8/1989	Leumi	6,575,315 B2	6/2003	Zidek
4,865,283 A	9/1989	Parker	6,581,790 B1	6/2003	Zadro
4,909,467 A	3/1990	Shan-Pao	6,591,996 B1	7/2003	Wu
D314,294 S	2/1991	Axhamre	6,619,164 B1	9/2003	Ricci et al.
4,998,647 A	3/1991	Sharp	6,648,152 B2	11/2003	Bermes
5,014,860 A	5/1991	Emery	D483,251 S	12/2003	Suero, Jr.
5,023,755 A	6/1991	Rosenberg	6,688,238 B1	2/2004	Alexiou
5,127,528 A	7/1992	Cone	6,726,034 B2	4/2004	Holbrook et al.
5,160,101 A	11/1992	Ferraro et al.	D489,207 S	5/2004	Rosen
5,180,067 A	1/1993	Conaway et al.	D492,188 S	6/2004	Goldberg
5,192,427 A	3/1993	Eger et al.	6,758,355 B2	7/2004	Zidek
5,197,614 A	3/1993	Dalton et al.	D493,991 S	8/2004	Dretzka
5,255,401 A	10/1993	Sambrookes et al.	6,824,000 B2	11/2004	Samelson
5,284,260 A	2/1994	Caligiuri, Sr.	6,848,144 B1	2/2005	McDonald
			6,871,748 B2	3/2005	Suttles
			6,918,498 B2	7/2005	Sparkowski
			D509,361 S	9/2005	Suero, Jr.
			6,957,794 B2	10/2005	Landreville et al.
			D512,861 S	12/2005	Rosen

US D651,837 S

Page 3

6,983,853 B1	1/2006	Ficket		D622,990 S *	9/2010	Yang et al.	D6/525
D516,901 S	3/2006	Murray		2001/0004064 A1	6/2001	Battaglia et al.	
7,086,633 B2	8/2006	Welch et al.		2002/0158033 A1	10/2002	Chen	
D530,551 S	10/2006	Snell		2002/0172549 A1	11/2002	Koros et al.	
D534,062 S	12/2006	Van den Bosch		2003/0000905 A1	1/2003	Zidek	
7,195,213 B2	3/2007	Weatherly		2003/0132181 A1	7/2003	Saulnier-Matteini	
D543,747 S *	6/2007	Harwanko	D6/525	2004/0188577 A1	9/2004	Gaderick	
D544,786 S	6/2007	Barrese		2005/0040301 A1	2/2005	Walter	
7,229,059 B1	6/2007	Hood		2005/0139562 A1	6/2005	Chen	
D546,879 S	7/2007	Qiu		2005/0205722 A1	9/2005	Krueger	
7,246,711 B1	7/2007	Metcalf		2006/0261022 A1	11/2006	Sampaio	
D552,393 S	10/2007	Rosen		2007/0045208 A1	3/2007	Quan	
D564,257 S	3/2008	Yang et al.		2007/0235611 A1	10/2007	Riblet	
7,347,197 B2	3/2008	Hankinson		2007/0295681 A1	12/2007	Colin	
D566,991 S	4/2008	Harwanko		2008/0000859 A1	1/2008	Yang et al.	
D568,657 S	5/2008	Snider		2008/0035592 A1	2/2008	Yang et al.	
D568,658 S *	5/2008	Yang et al.	D6/525	2008/0053935 A1	3/2008	Newbould et al.	
D569,148 S *	5/2008	Yang et al.	D6/525	2008/0142669 A1	6/2008	Zlotocha	
D572,060 S	7/2008	Snider		2009/0188880 A1	7/2009	Yang et al.	
D572,502 S	7/2008	Yang et al.		2010/0133218 A1	6/2010	Yang et al.	
D572,516 S	7/2008	Snider					
D573,386 S *	7/2008	Clucas	D6/525				
D573,387 S *	7/2008	Walker	D6/525				
D573,822 S	7/2008	Yang et al.					
7,398,790 B2	7/2008	Glatz					
7,401,754 B2	7/2008	Welch et al.					
D574,649 S	8/2008	Snider					
D574,650 S	8/2008	Snider					
D578,815 S	10/2008	Dominique et al.					
D587,504 S	3/2009	Russell et al.					
D598,688 S	8/2009	Yang et al.					

OTHER PUBLICATIONS

U.S. Appl. No. 29/334,143, filed Mar. 30, 2009, Yang et al.
 U.S. Appl. No. 29/351,158, filed Dec. 1, 2009, Yang et al.
 U.S. Appl. No. 29/357,566, filed Mar. 12, 2010, Yang et al.
 U.S. Appl. No. 29/357,568, filed Mar. 12, 2010, Yang et al.
 Partial European Search Report for European Application No. EP
 07008098, dated Mar. 28, 2011, in 9 pages.

* cited by examiner

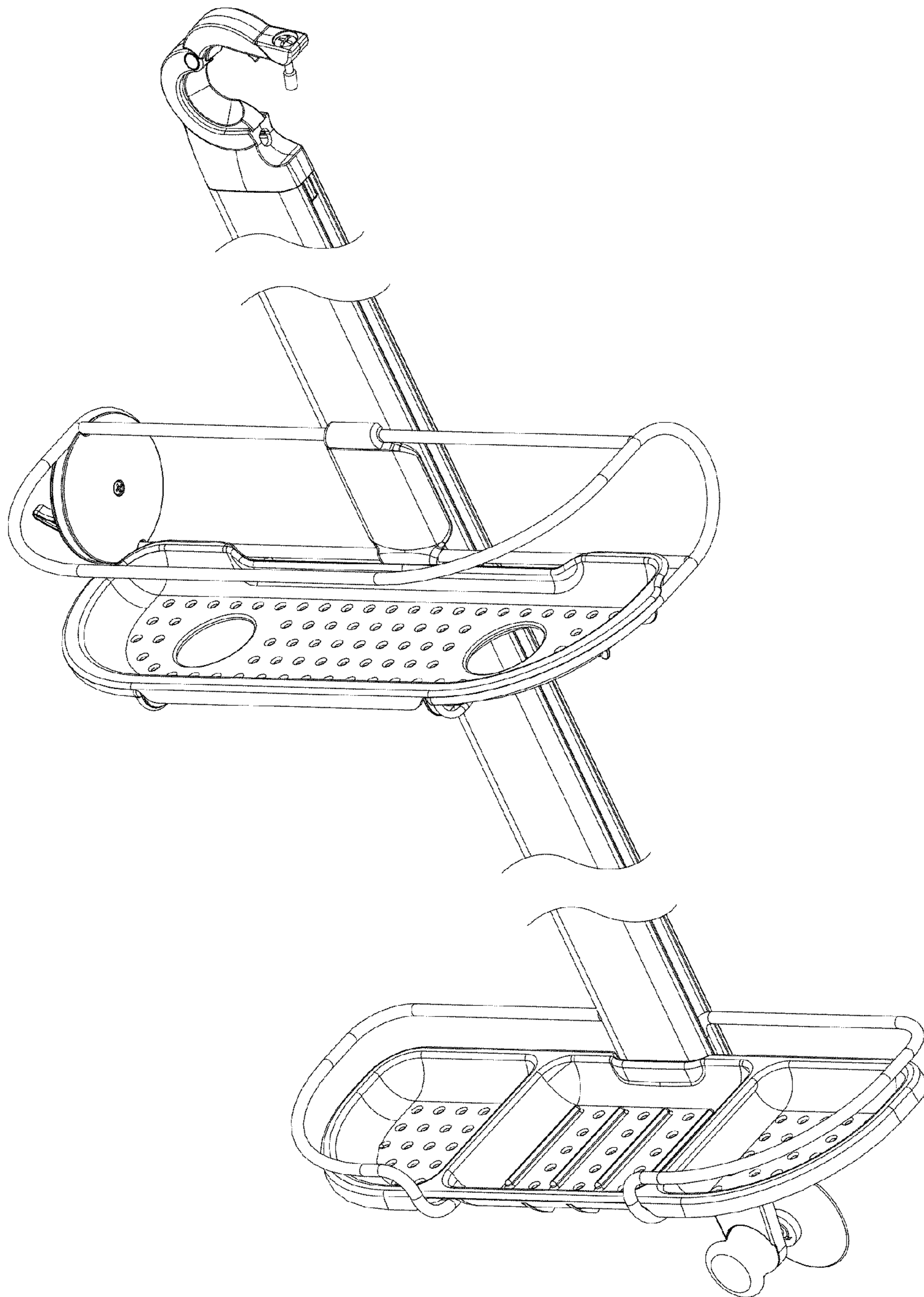


FIG. 1

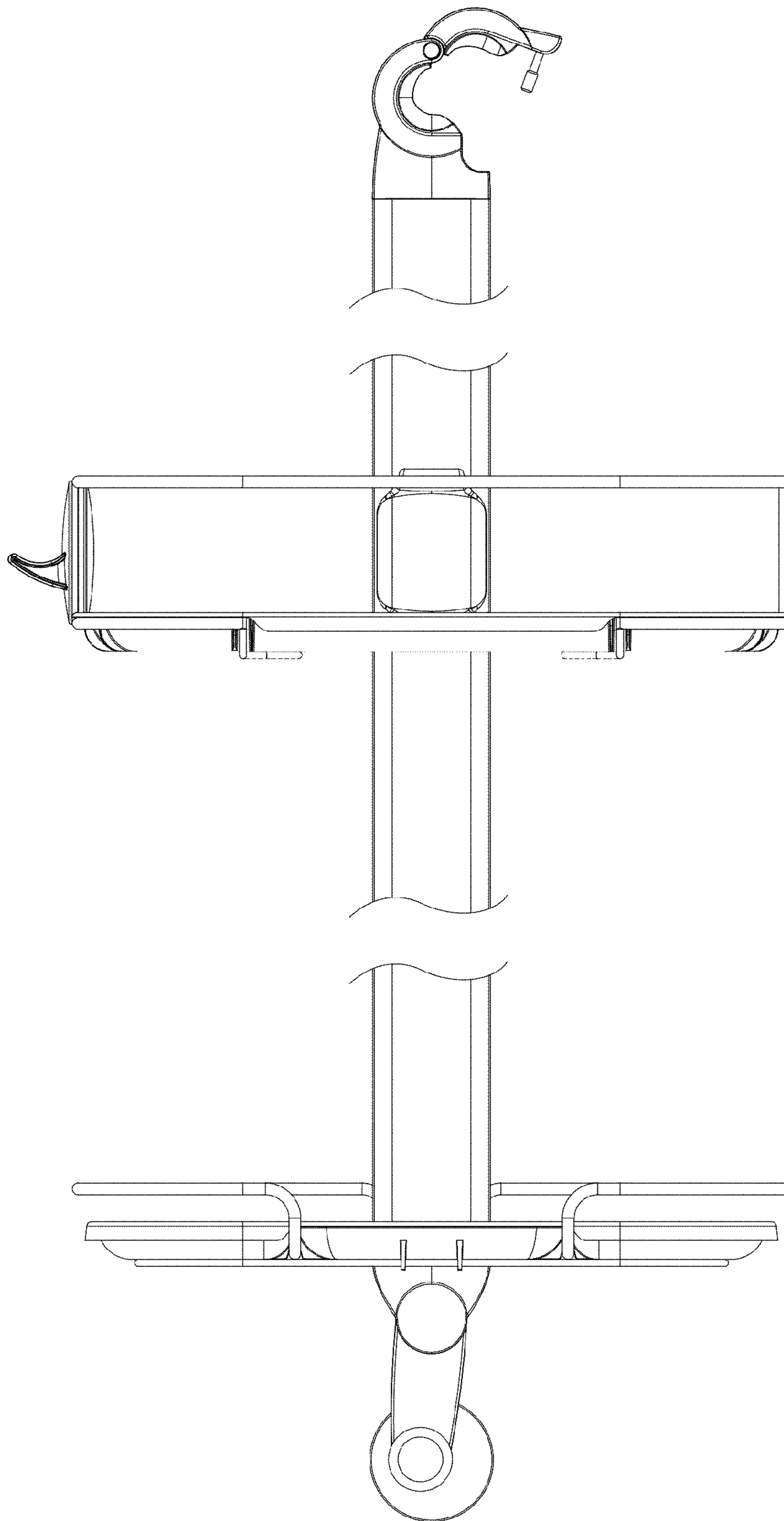


FIG. 2

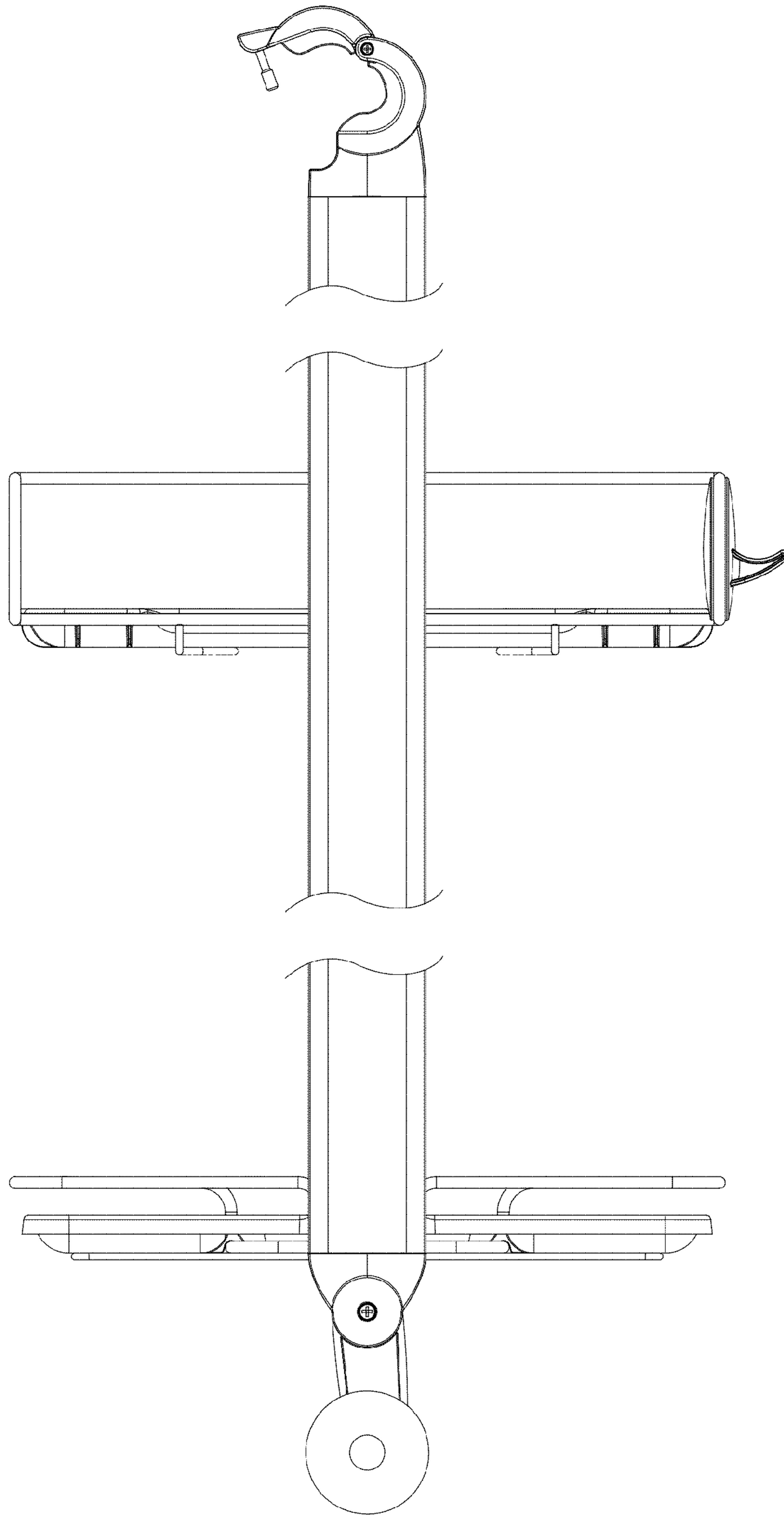


FIG. 3

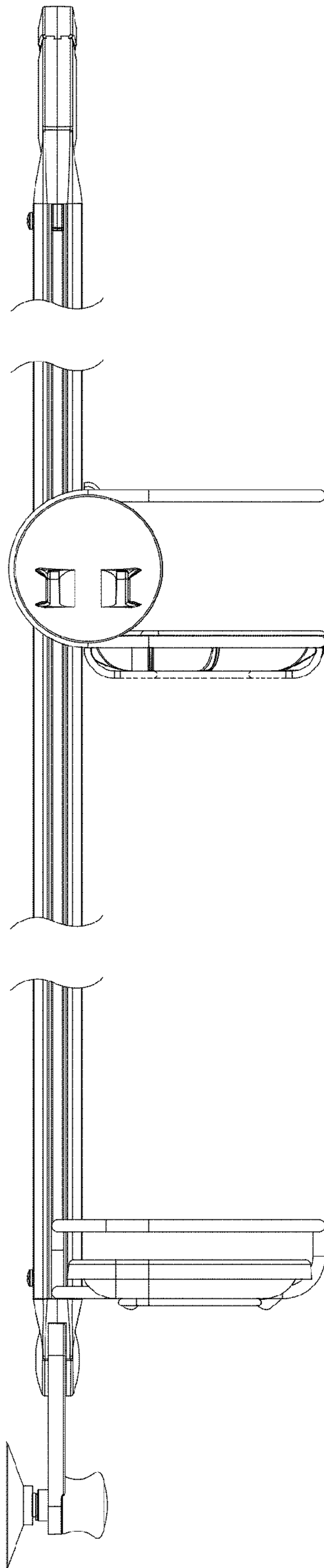


FIG. 4

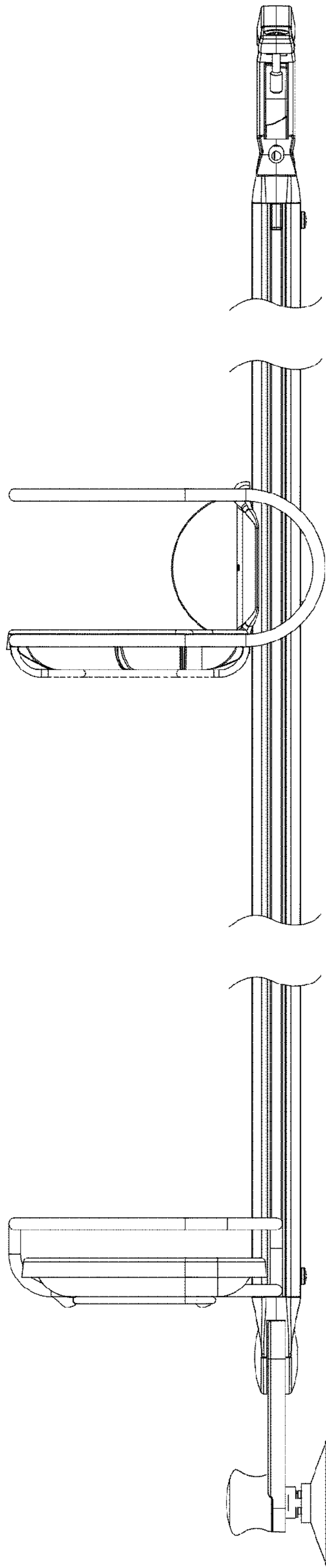


FIG. 5

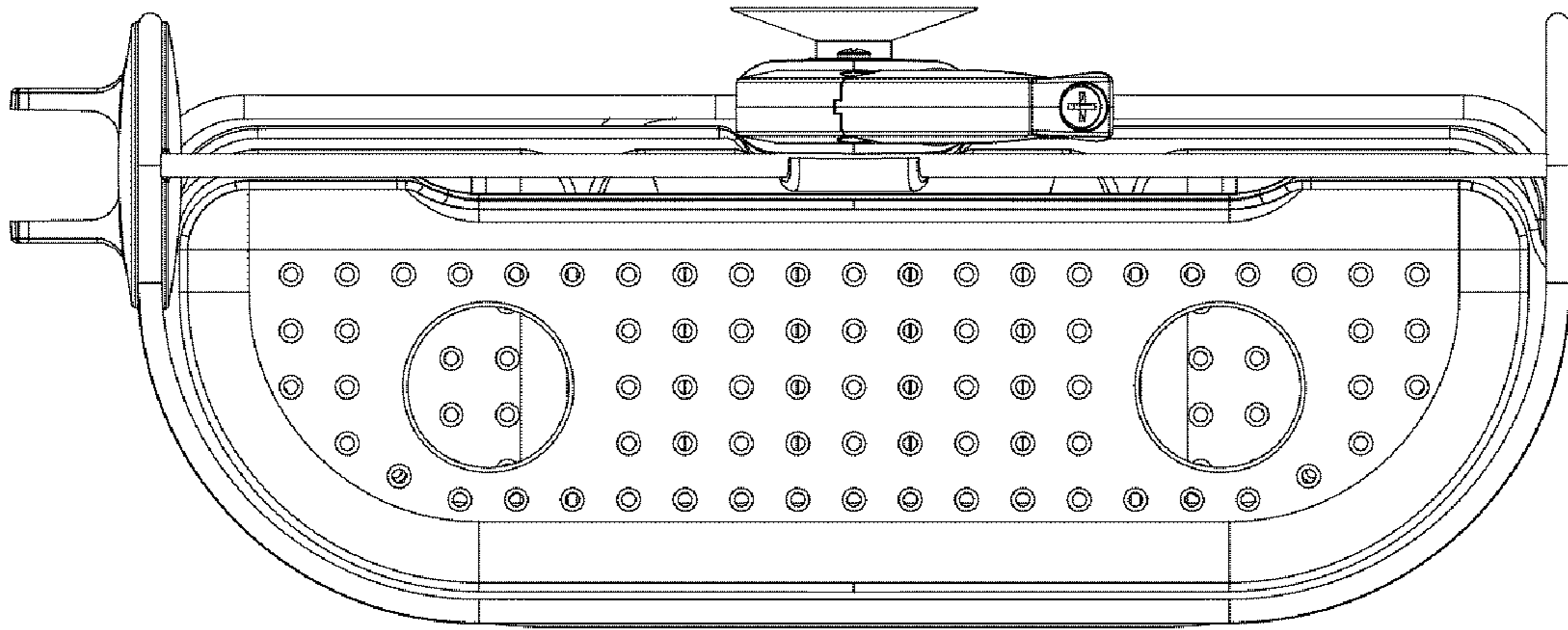


FIG. 6

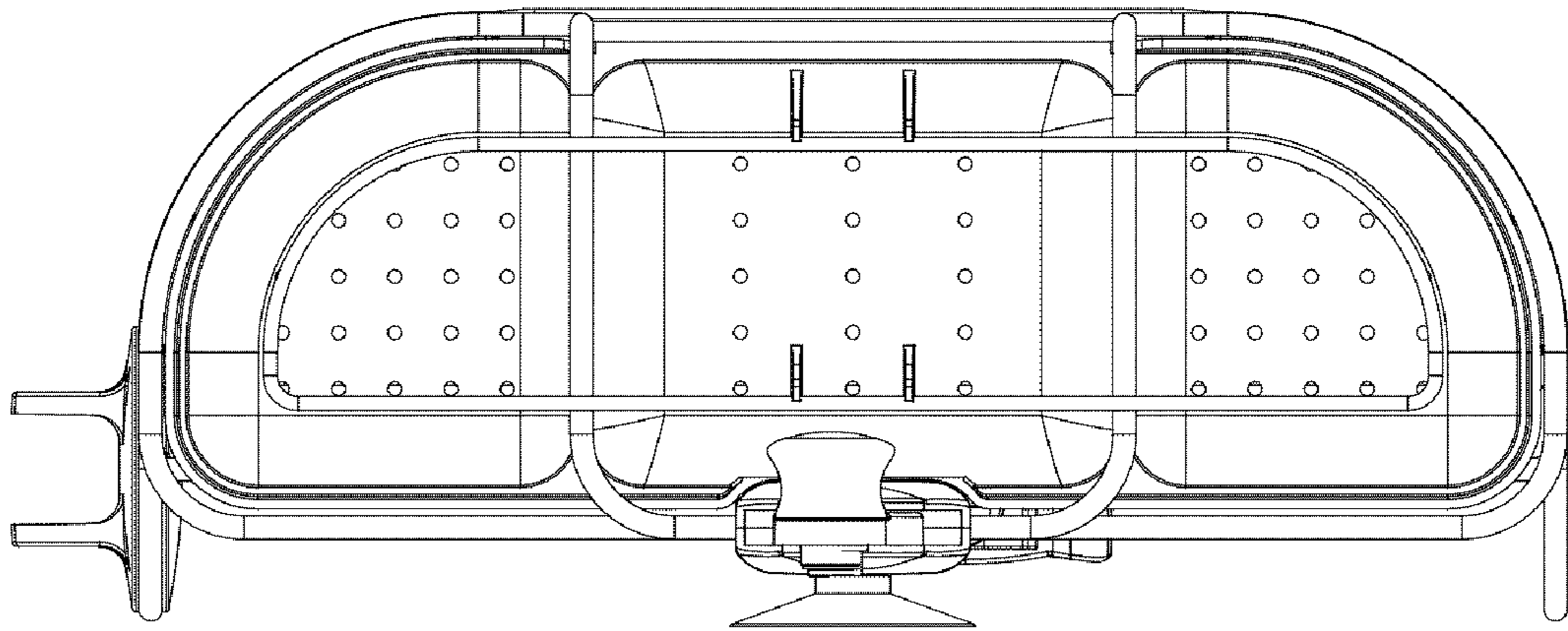


FIG. 7

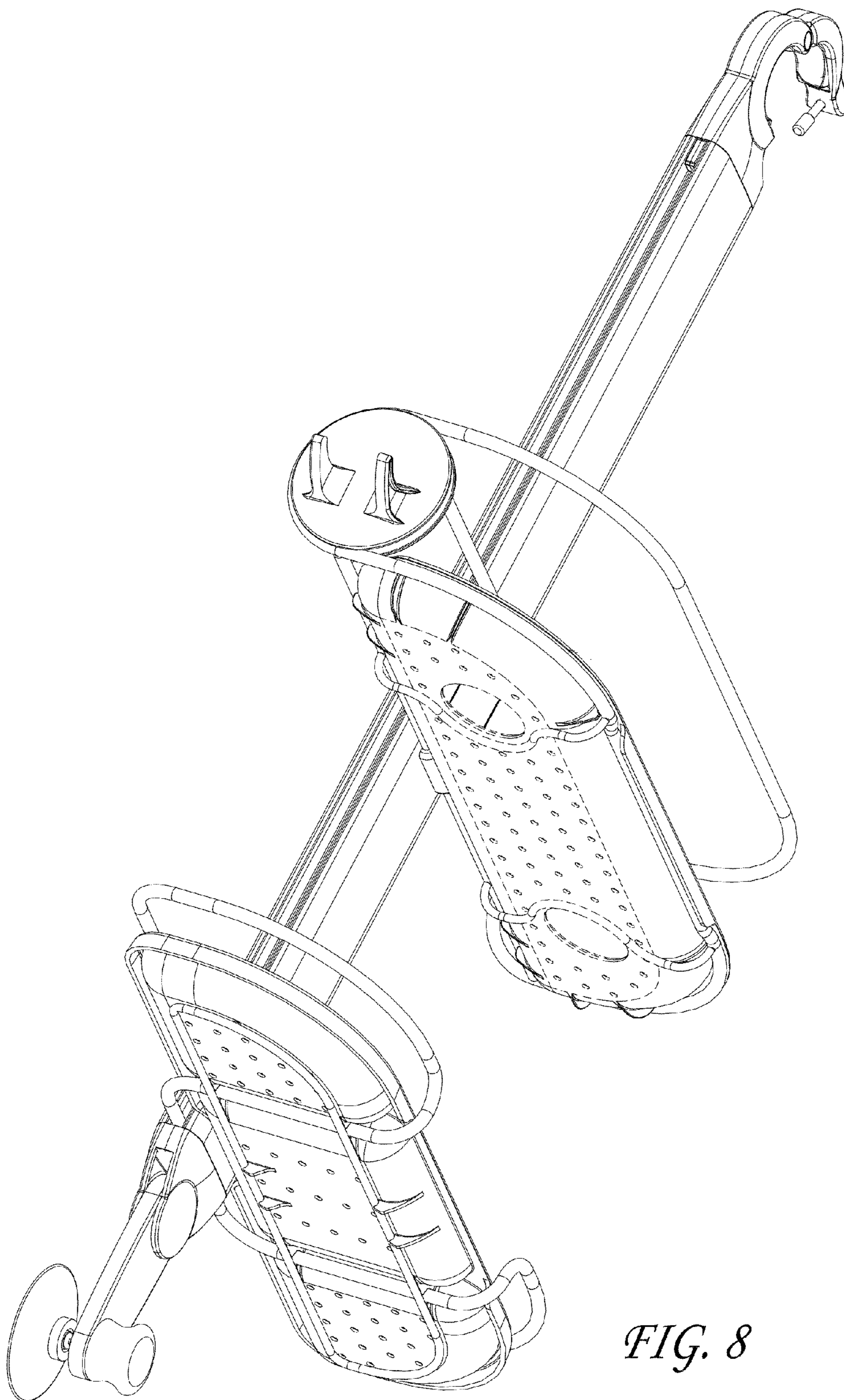


FIG. 8

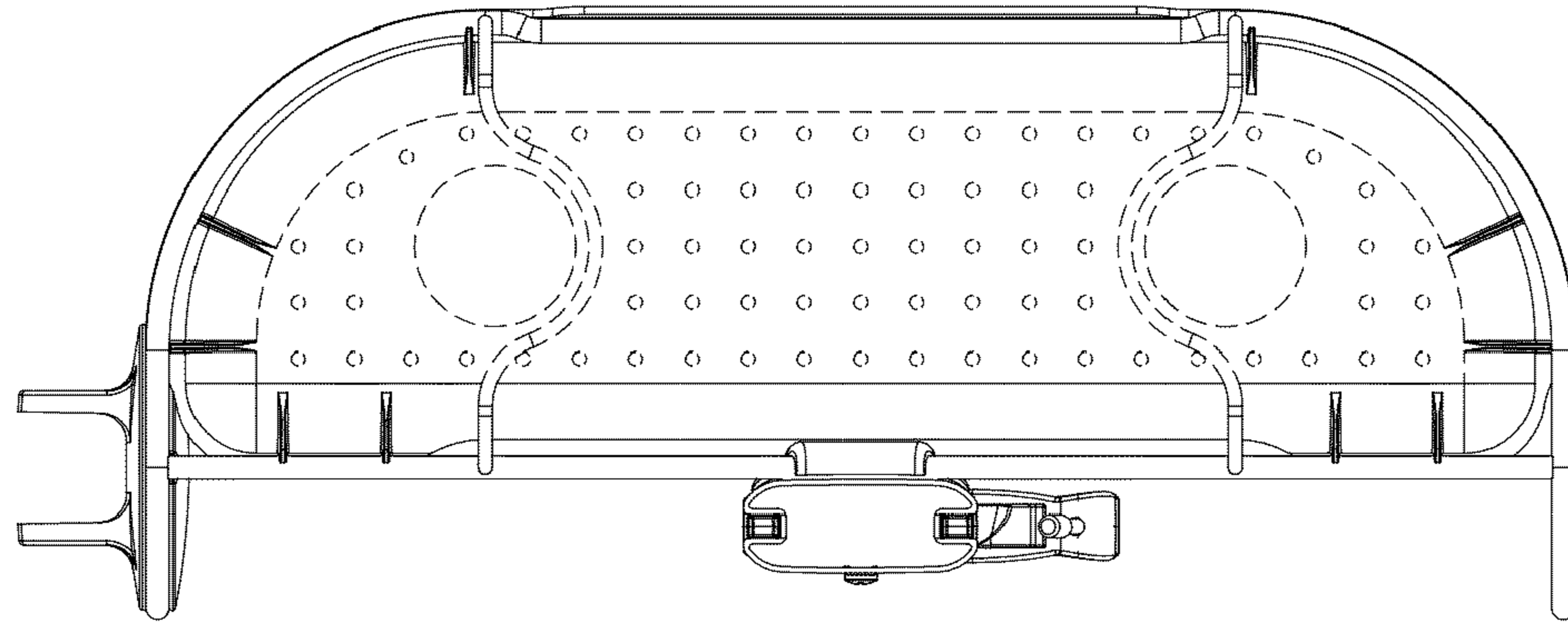


FIG. 9

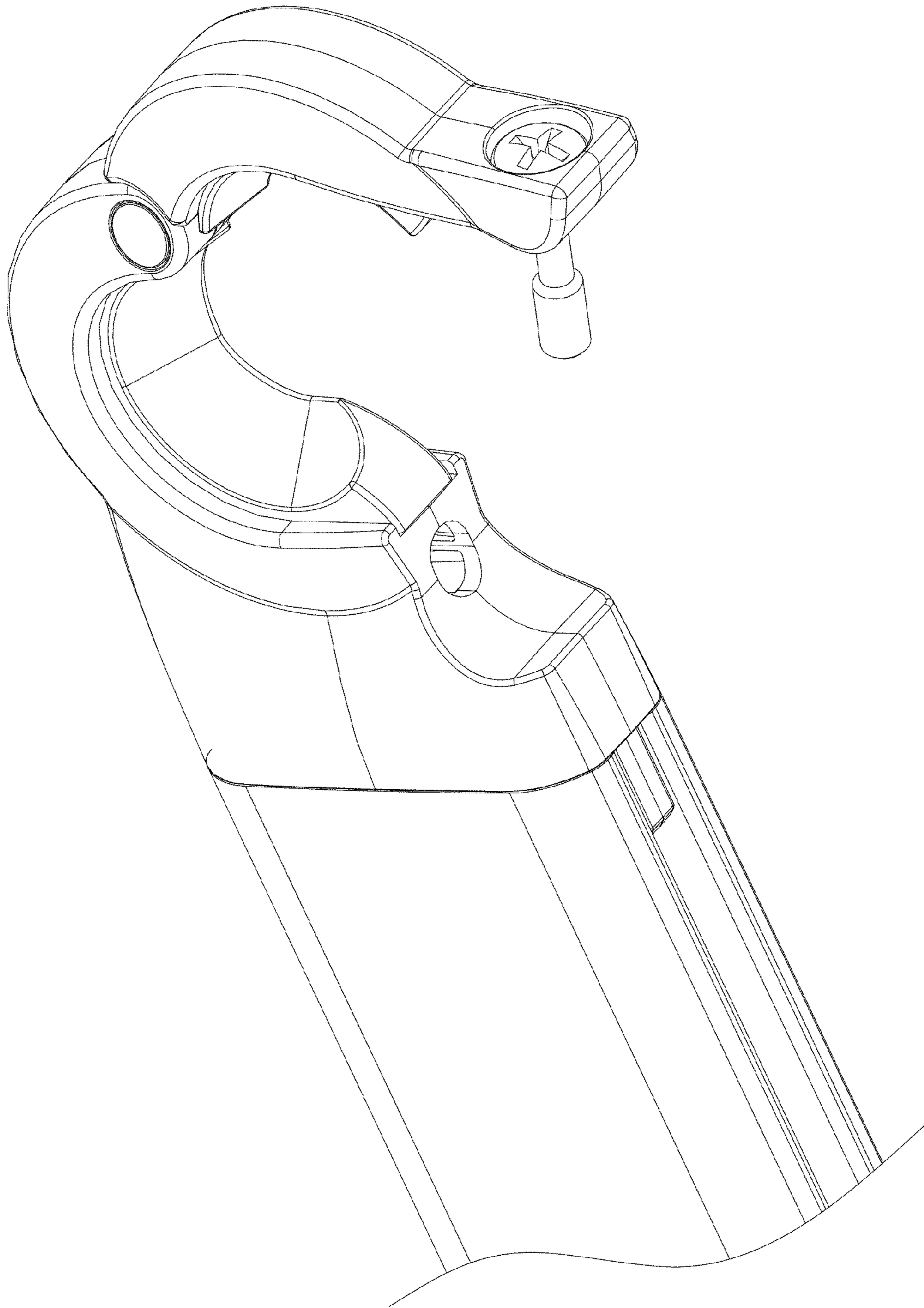


FIG. 10