

US00D651835S

(12) **United States Design Patent**
Berti

(10) **Patent No.:** **US D651,835 S**
(45) **Date of Patent:** **** Jan. 10, 2012**

(54) **CONTAINER**

(75) Inventor: **Enzo Berti**, Pianiga (IT)

(73) Assignee: **The Libman Company**, Arcola, IL (US)

(**) Term: **14 Years**

(21) Appl. No.: **29/386,400**

(22) Filed: **Feb. 28, 2011**

(51) **LOC (9) Cl.** **06-04**

(52) **U.S. Cl.** **D6/524; D6/551**

(58) **Field of Classification Search** D6/524,
D6/525, 551; 206/207, 349, 361; 312/206,
312/207; 4/255.05, 255.11

See application file for complete search history.

(56) **References Cited**

U.S. PATENT DOCUMENTS

D233,196 S *	10/1974	Fry	D6/551
D298,712 S *	11/1988	Mattei	D6/551
D315,269 S *	3/1991	Brazis	D6/551
D400,748 S *	11/1998	France	D6/551
D413,470 S *	9/1999	Burton	D6/551
D449,951 S *	11/2001	Schmidt et al.	D6/524
D452,401 S *	12/2001	Schmidt et al.	D6/524
D464,515 S *	10/2002	Katz et al.	D6/551
D471,393 S *	3/2003	Hutchinson	D6/551
6,647,567 B1 *	11/2003	Baldwin et al.	D6/551

D495,182 S *	8/2004	Vitantonio et al.	D6/551
D500,619 S *	1/2005	Rich	D6/551
D515,858 S *	2/2006	Hay	D6/524
D579,703 S *	11/2008	Nickelson et al.	D6/524
D621,190 S *	8/2010	Yoo et al.	D6/524

* cited by examiner

Primary Examiner — Brian N Vinson

(74) *Attorney, Agent, or Firm* — Banner & Witcoff, Ltd.

(57) **CLAIM**

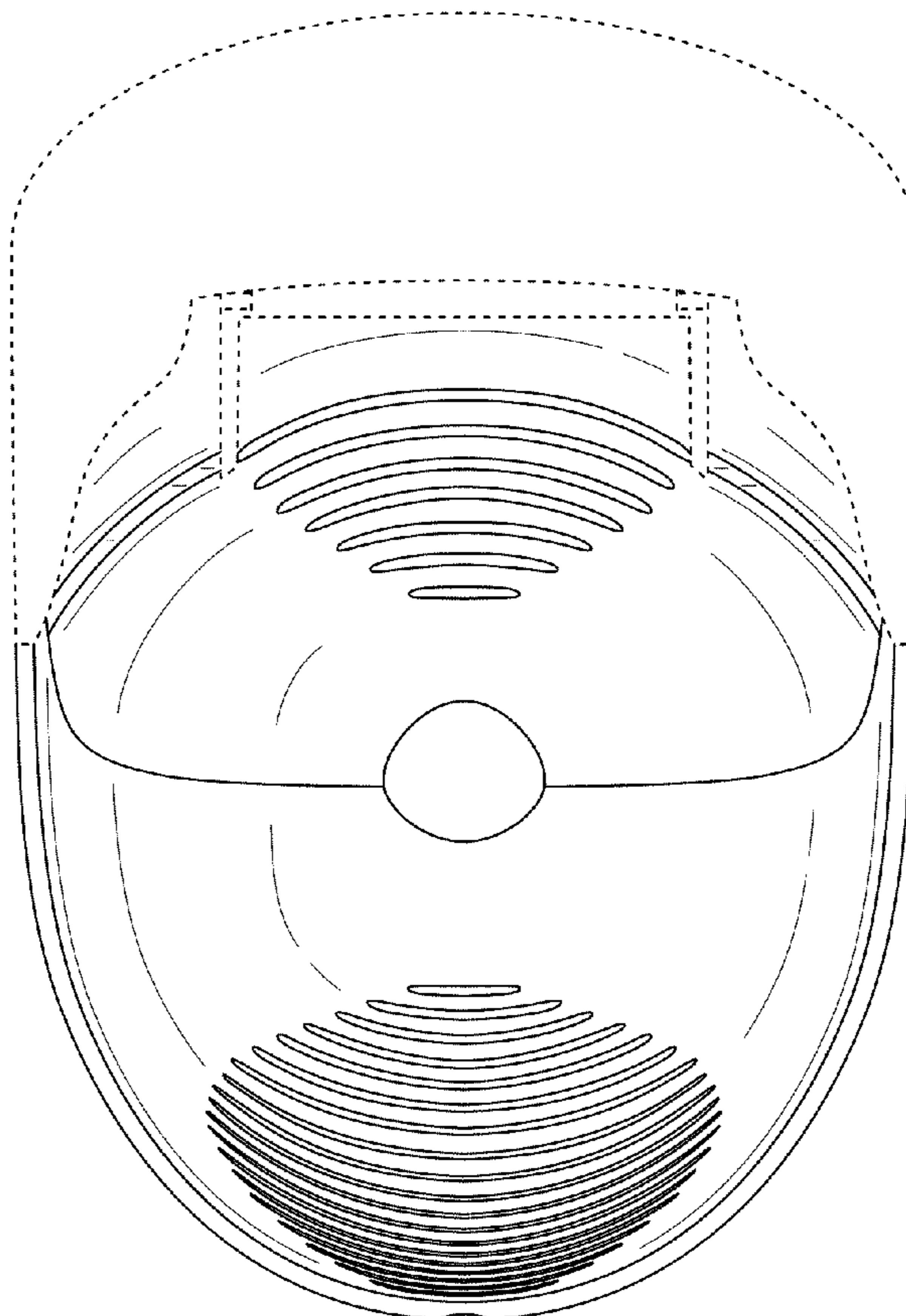
The ornamental design for a container, as shown and described.

DESCRIPTION

FIG. 1 is a top, front, left perspective view of a container showing my new design;
FIG. 2 is a front view thereof;
FIG. 3 is a right side view thereof;
FIG. 4 is a rear view thereof;
FIG. 5 is a left side view thereof;
FIG. 6 is a top view thereof; and,
FIG. 7 is a bottom view thereof.

The uneven-length broken lines represent unclaimed boundaries of the claimed design. The even-length broken lines showing the remainder of the container are for environmental purposes only and form no part of the claimed design.

1 Claim, 7 Drawing Sheets



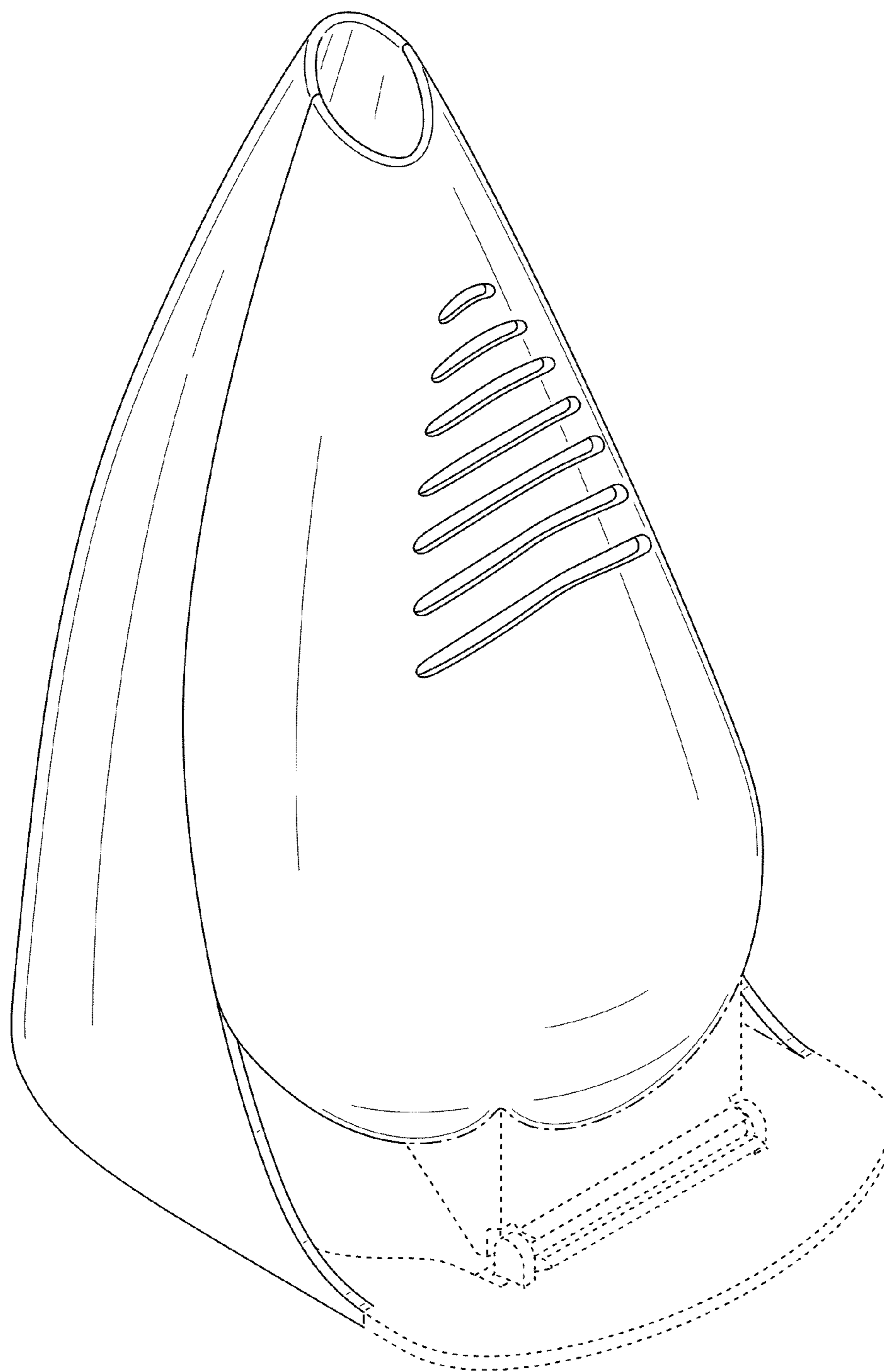


FIG. 1

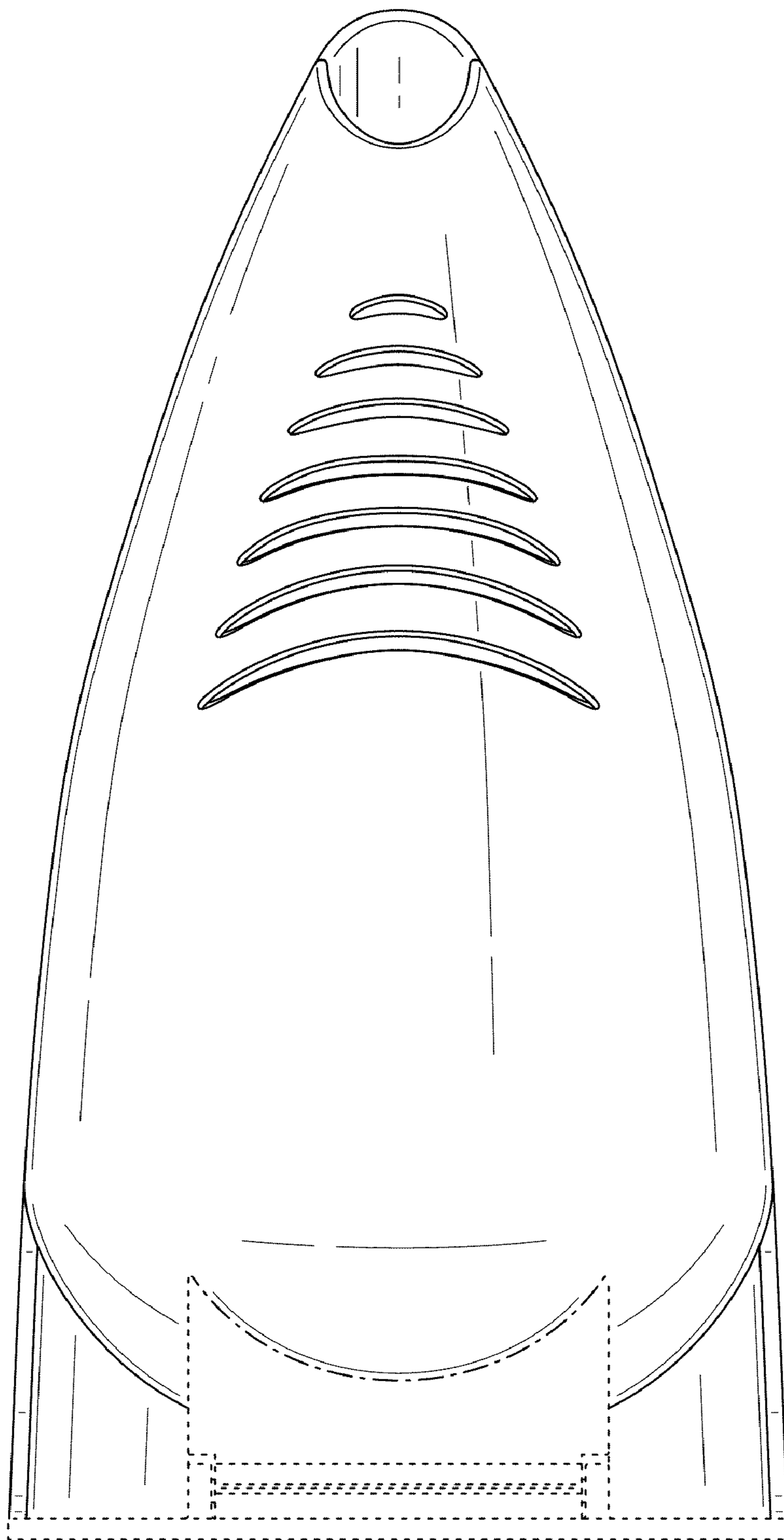


FIG. 2

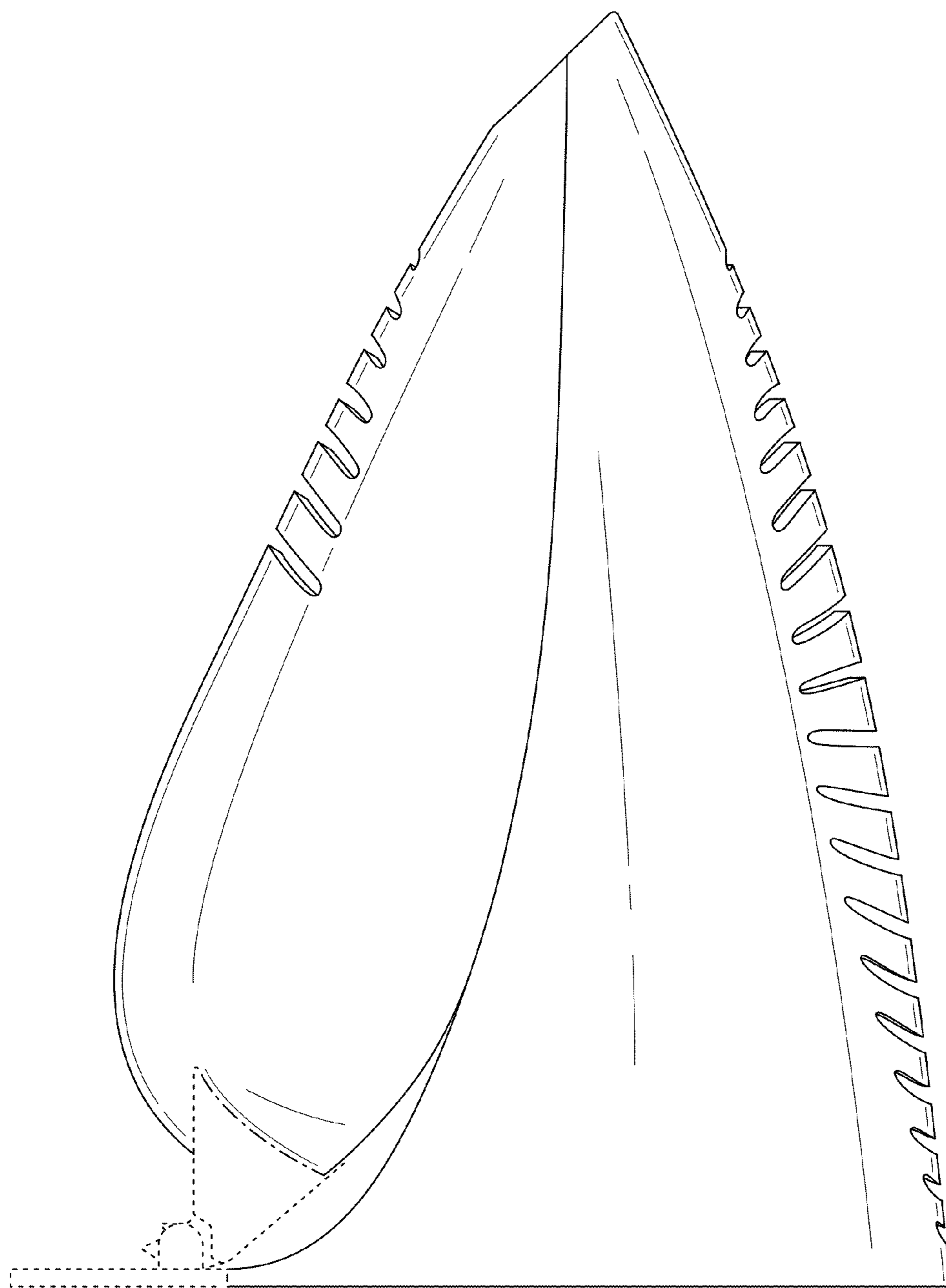


FIG. 3

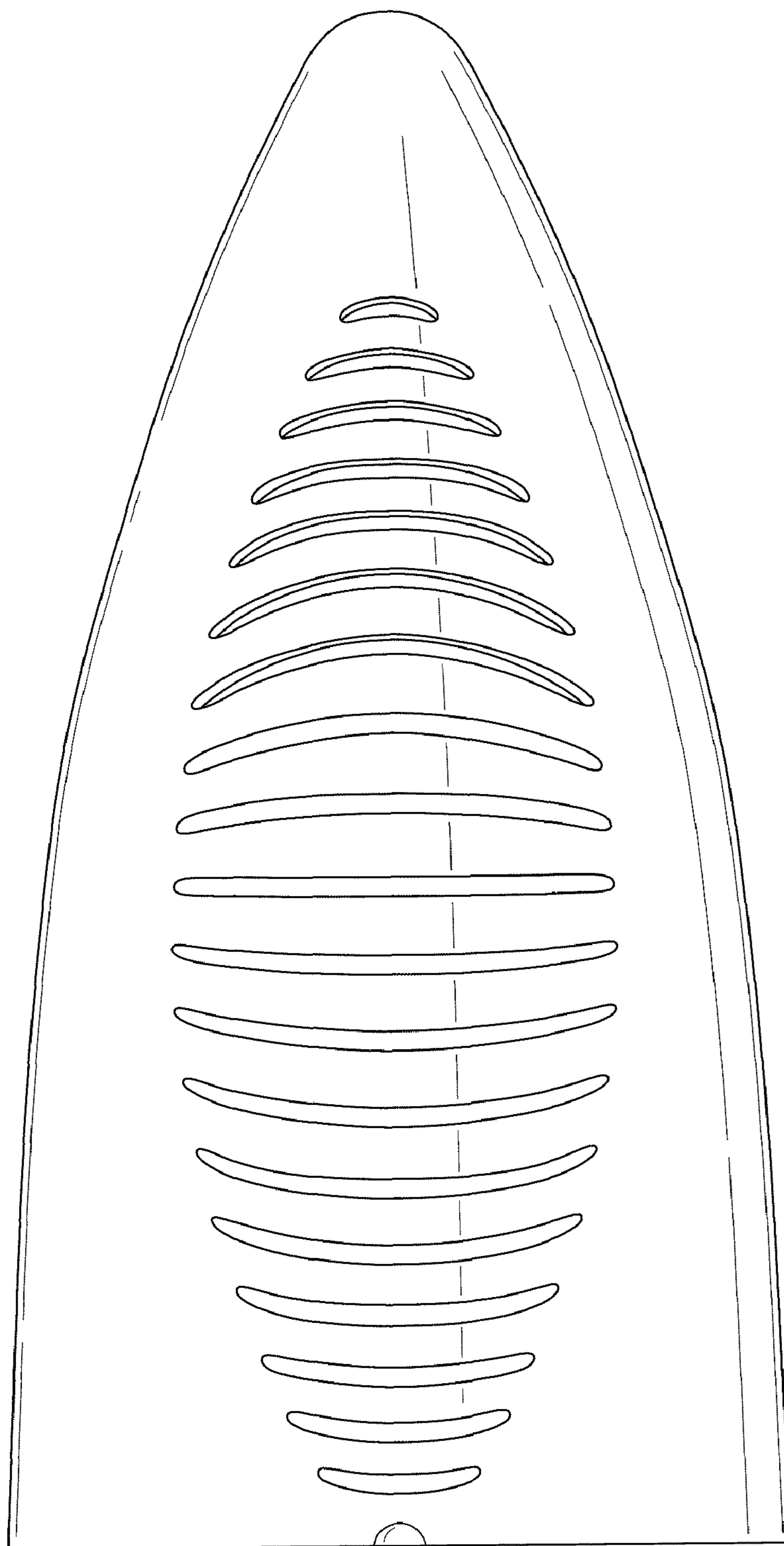


FIG. 4

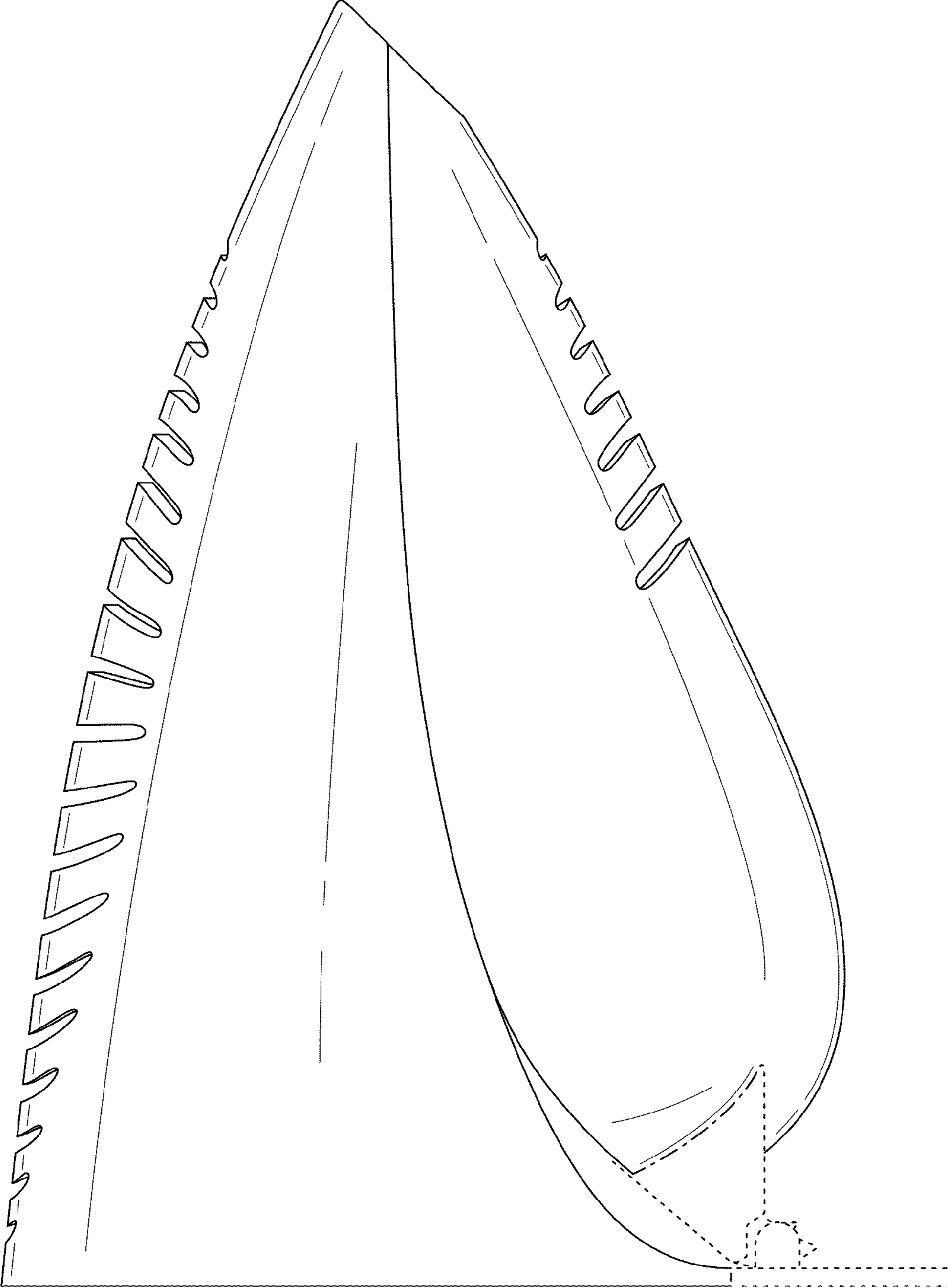


FIG. 5

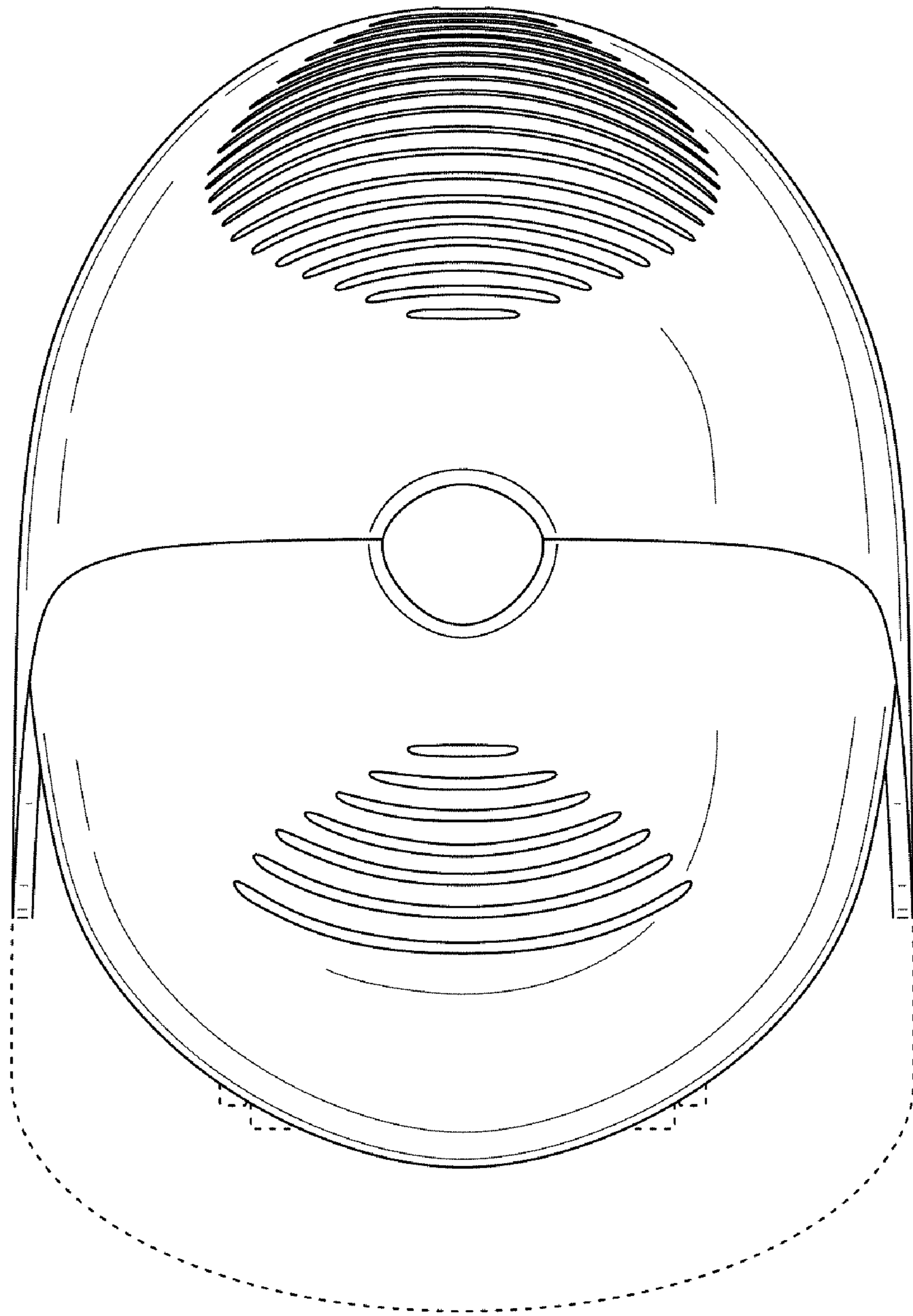


FIG. 6

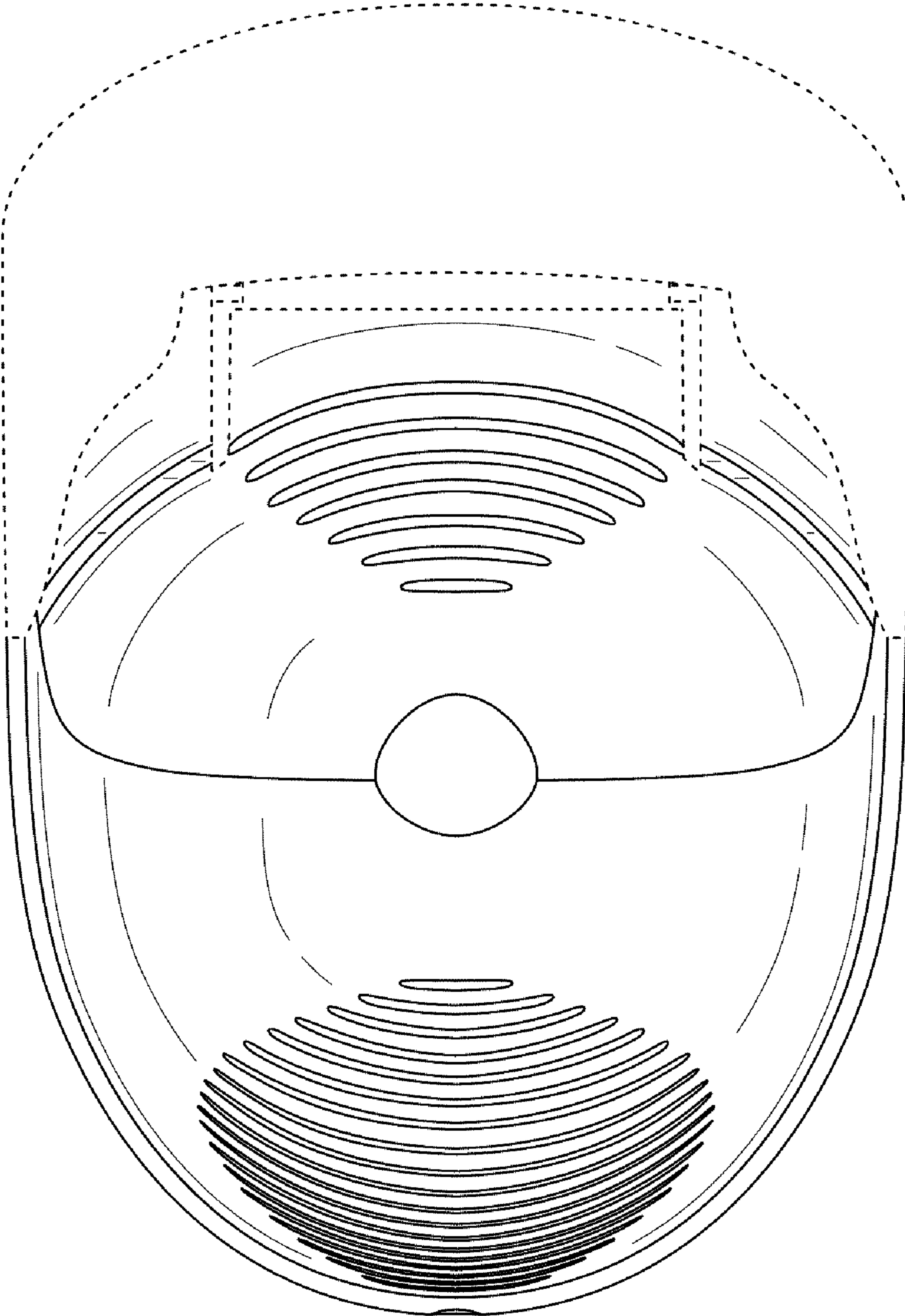


FIG. 7