



US00D651826S

(12) **United States Design Patent**
Tseng et al.

(10) **Patent No.:** **US D651,826 S**
(45) **Date of Patent:** **** Jan. 10, 2012**

- (54) **STAND**
- (75) Inventors: **Yi-Chen Tseng**, Beidou Township, Changhua County (TW); **Chia-Cheng Chen**, Taichung (TW)
- (73) Assignees: **Yi-Chen Tseng**, Changhua County (TW); **Hi-Max Innovation Co., Ltd.**, Taichung (TW)
- (**) Term: **14 Years**
- (21) Appl. No.: **29/399,449**
- (22) Filed: **Aug. 15, 2011**
- (51) **LOC (9) Cl.** **06-06**
- (52) **U.S. Cl.** **D6/477**
- (58) **Field of Classification Search** D6/474, D6/477-479; 108/59, 91-92, 96; 211/40, 211/41.12, 42, 49.1, 50, 85.2, 90.04; 206/307
See application file for complete search history.

D587,496 S *	3/2009	Weitz	D6/477
D587,497 S *	3/2009	Zambelli	D6/477
D590,636 S *	4/2009	Ou Yang et al.	D6/477
D590,637 S *	4/2009	Portnoy	D6/477
D591,089 S *	4/2009	Sexton	D6/479
D592,428 S *	5/2009	Zambelli	D6/477
D595,978 S *	7/2009	Portnoy et al.	D6/477
D599,584 S *	9/2009	Zambelli	D6/477
D601,370 S *	10/2009	Kohler	D6/495
D607,671 S *	1/2010	Sexton	D6/479
D609,942 S *	2/2010	Sexton	D6/477
D612,172 S *	3/2010	Portnoy	D6/477
D614,421 S *	4/2010	Sexton	D6/479
D615,771 S *	5/2010	Kohler	D6/460
D618,015 S *	6/2010	Sexton	D6/477
D619,827 S *	7/2010	Sculler et al.	D6/477
D630,870 S *	1/2011	Sexton	D6/477
D630,871 S *	1/2011	Sexton	D6/477
D631,265 S *	1/2011	Sexton	D6/477
D639,089 S *	6/2011	Sexton	D6/477
D641,183 S *	7/2011	Portnoy	D6/474
D644,043 S *	8/2011	Portnoy	D6/474
D644,854 S *	9/2011	Sexton	D6/477

* cited by examiner

Primary Examiner — Elizabeth Albert
Assistant Examiner — Kelley Donnelly

(56) **References Cited**

U.S. PATENT DOCUMENTS

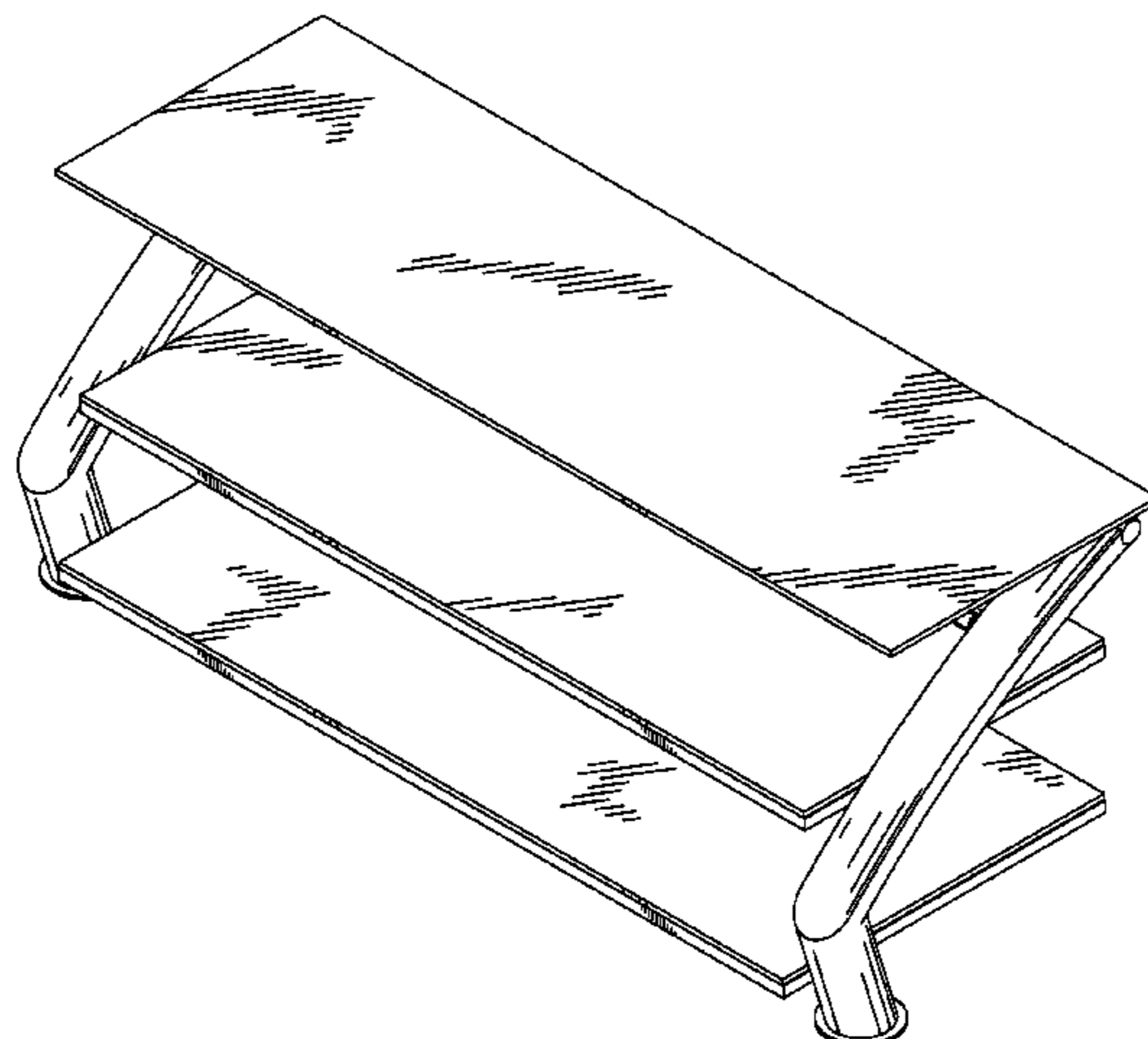
D474,047 S *	5/2003	Lara	D6/479
D489,548 S *	5/2004	Malizia	D6/477
D491,748 S *	6/2004	deCarolis	D6/474
D493,982 S *	8/2004	deCarolis	D6/477
D497,061 S *	10/2004	Decarolis	D6/479
D505,572 S *	5/2005	Chang	D6/474
D505,573 S *	5/2005	Malizia	D6/474
D506,329 S *	6/2005	Sexton	D6/477
D507,128 S *	7/2005	Choo	D6/477
D507,433 S *	7/2005	Portnoy	D6/477
D516,838 S *	3/2006	Portnoy	D6/477
D517,350 S *	3/2006	Sexton	D6/479
D519,757 S *	5/2006	Portnoy	D6/479
D525,052 S *	7/2006	Malizia	D6/474
D525,054 S *	7/2006	Stenhouse et al.	D6/479
D537,657 S *	3/2007	Fujii et al.	D6/477
D539,565 S *	4/2007	Sexton, III	D6/474
D562,593 S *	2/2008	Zambelli et al.	D6/474
D564,260 S *	3/2008	deCarolis	D6/477
D566,992 S *	4/2008	Ongor	D6/479
D572,943 S *	7/2008	Antonioni	D6/477
D572,944 S *	7/2008	Sexton	D6/477

(57) **CLAIM**
The ornamental design for a stand, as shown and described.

DESCRIPTION

FIG. 1 is a perspective view of a stand showing my new design;
FIG. 2 is a front elevation view thereof;
FIG. 3 is a rear elevation view thereof;
FIG. 4 is a left side elevation view thereof;
FIG. 5 is a right side elevation view thereof;
FIG. 6 is a top plan view thereof; and,
FIG. 7 is bottom plan view thereof; and,
FIG. 8 is a schematic of a usage state of an embodiment.
The broken lines in FIGS. 3 and 6 are for the purpose of illustrating the environment of the article only and form no part of the claimed design.

1 Claim, 5 Drawing Sheets



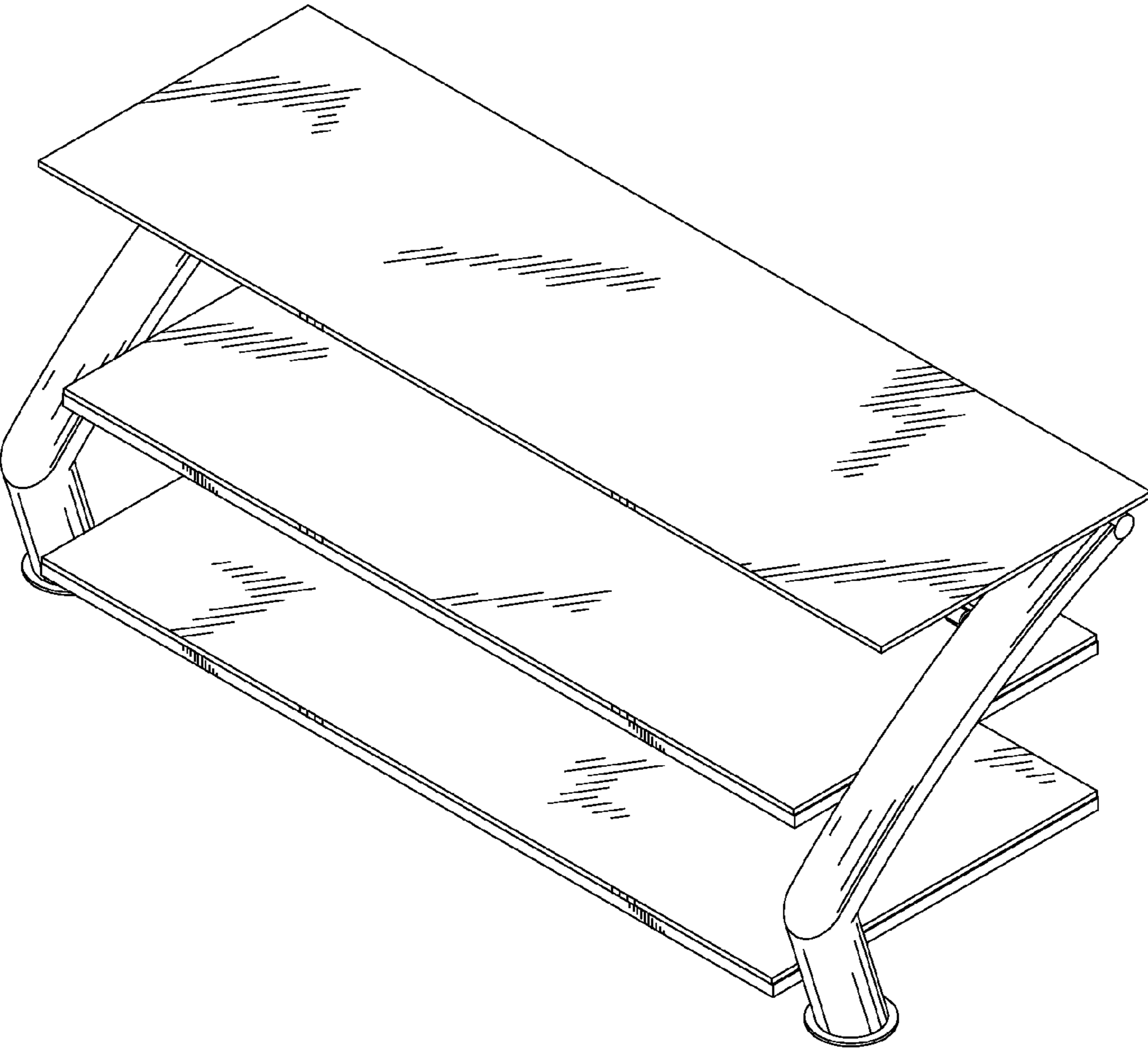


FIG. 1

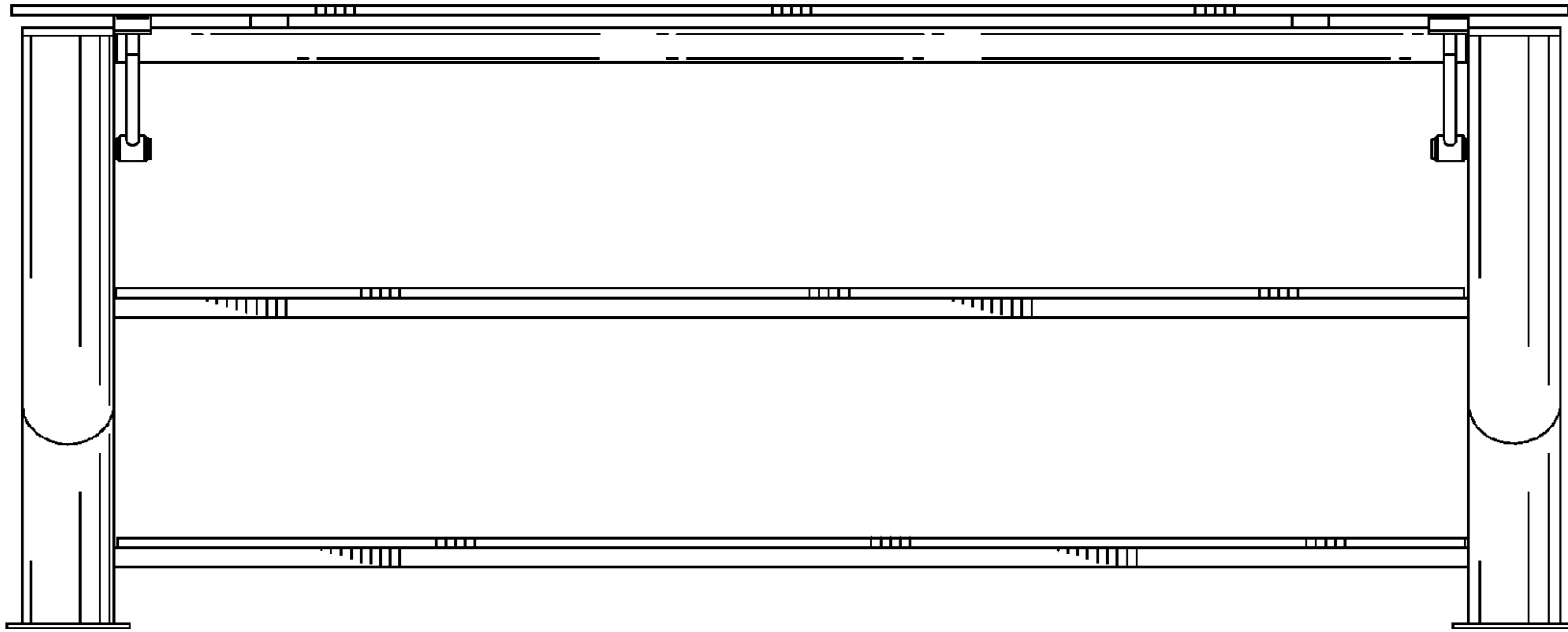


FIG. 2

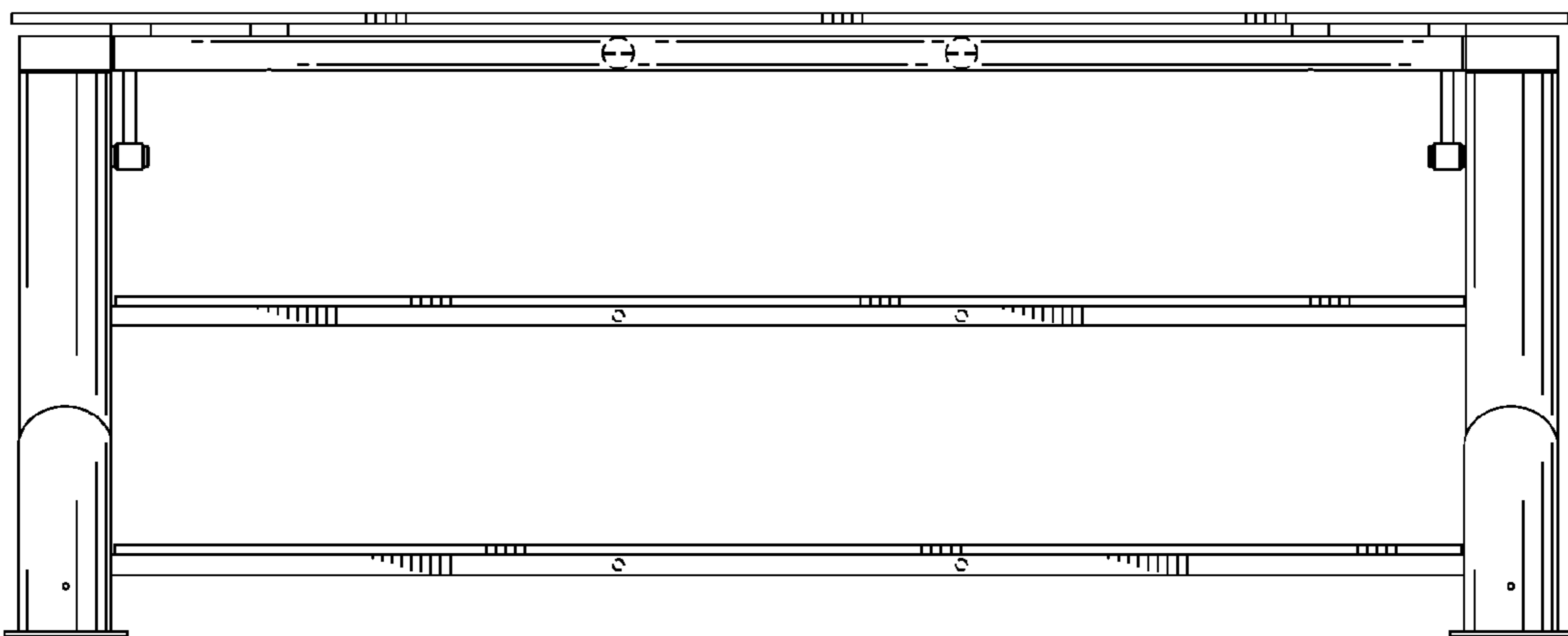


FIG. 3

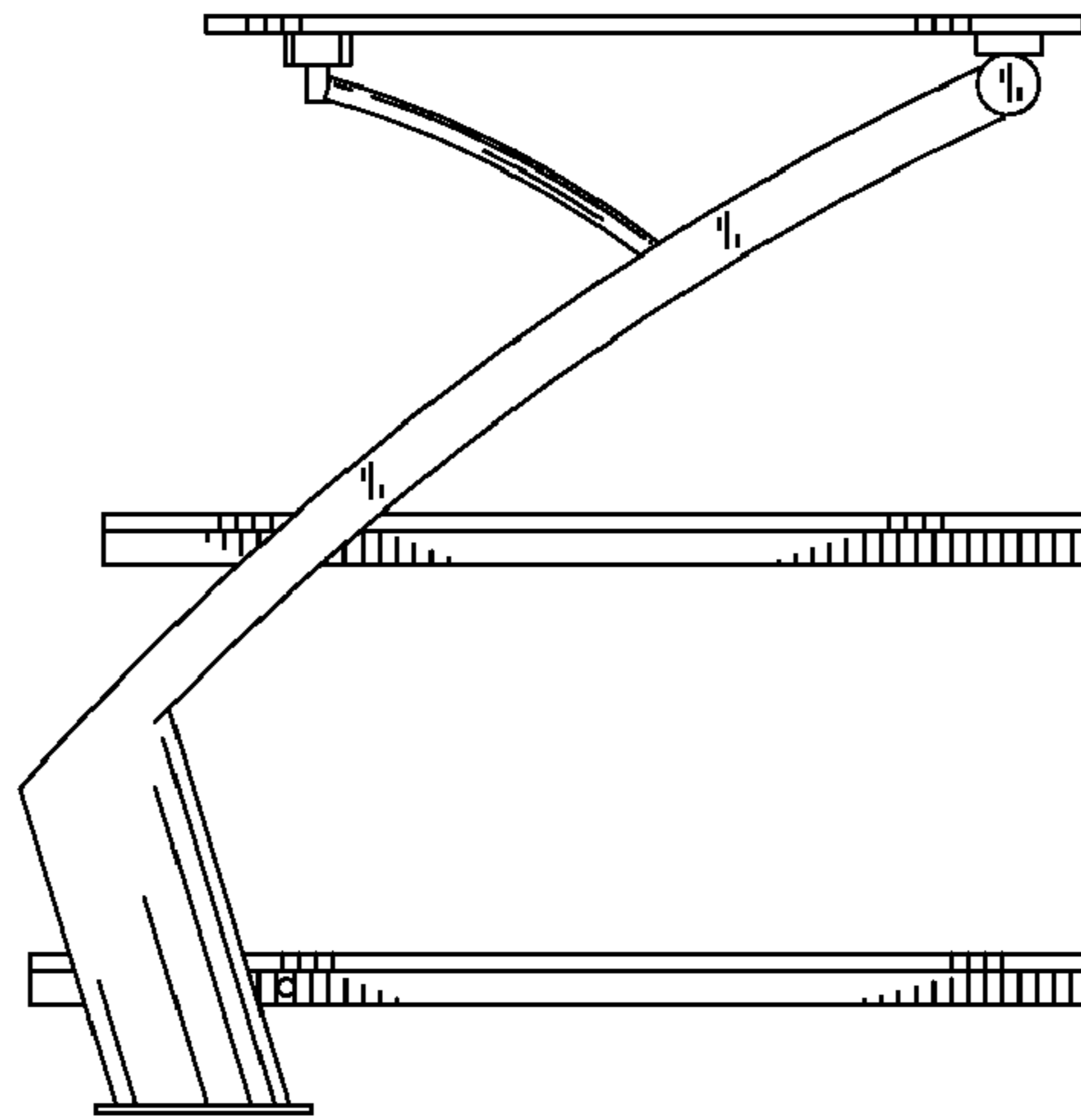


FIG. 5

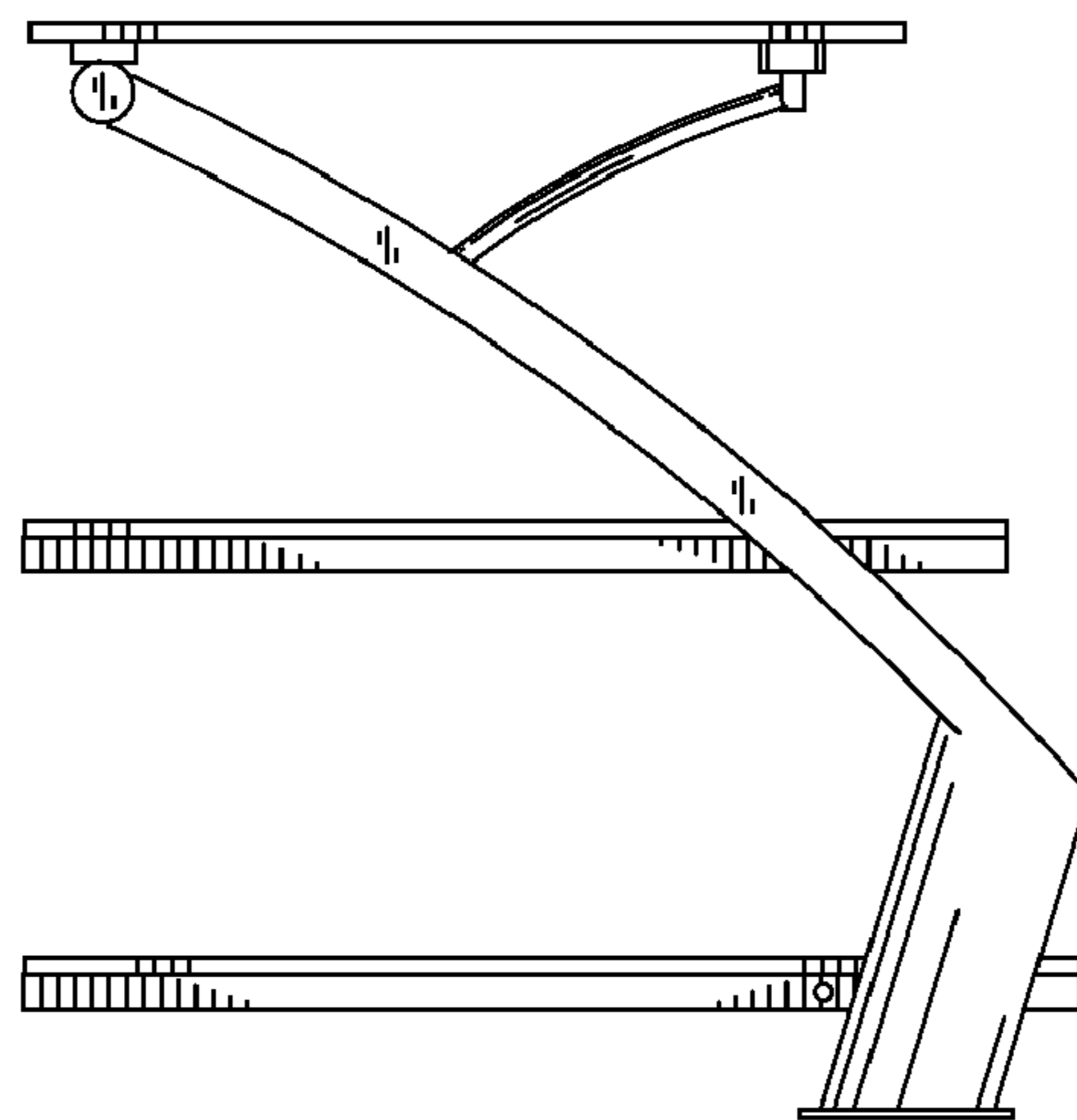


FIG. 4

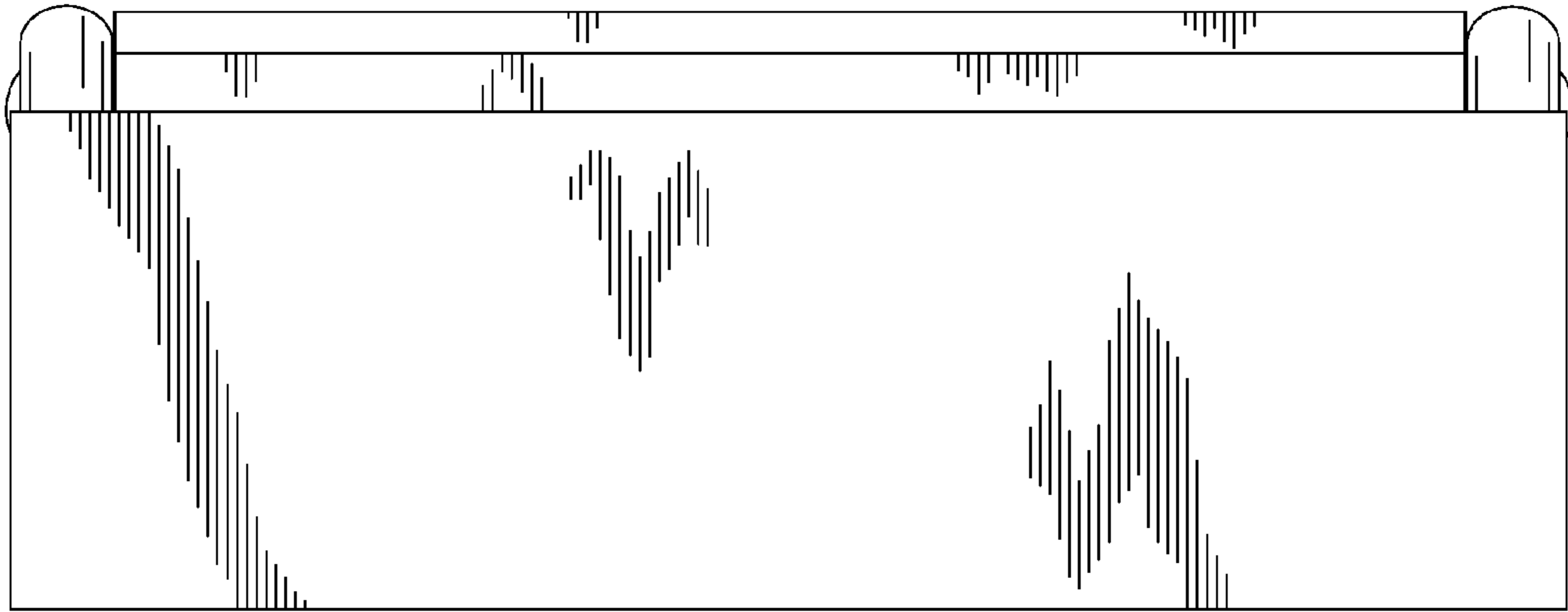


FIG. 6

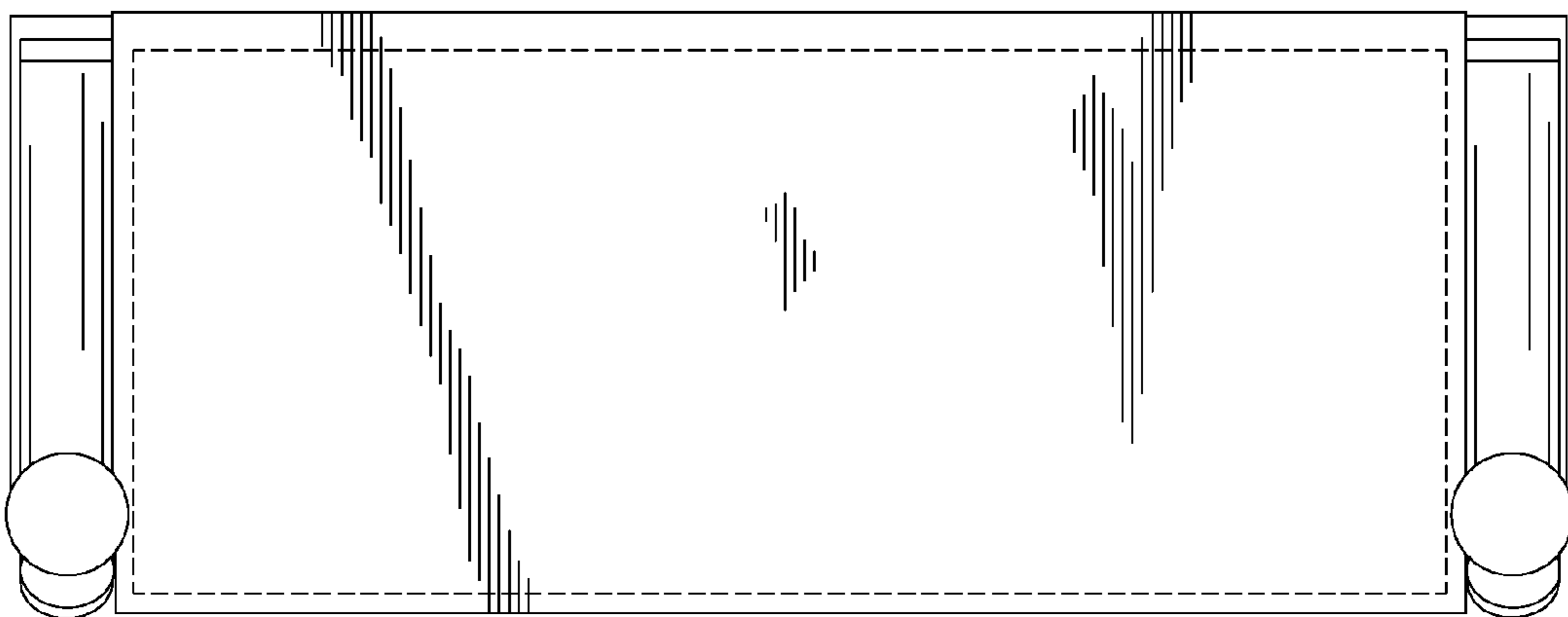


FIG. 7

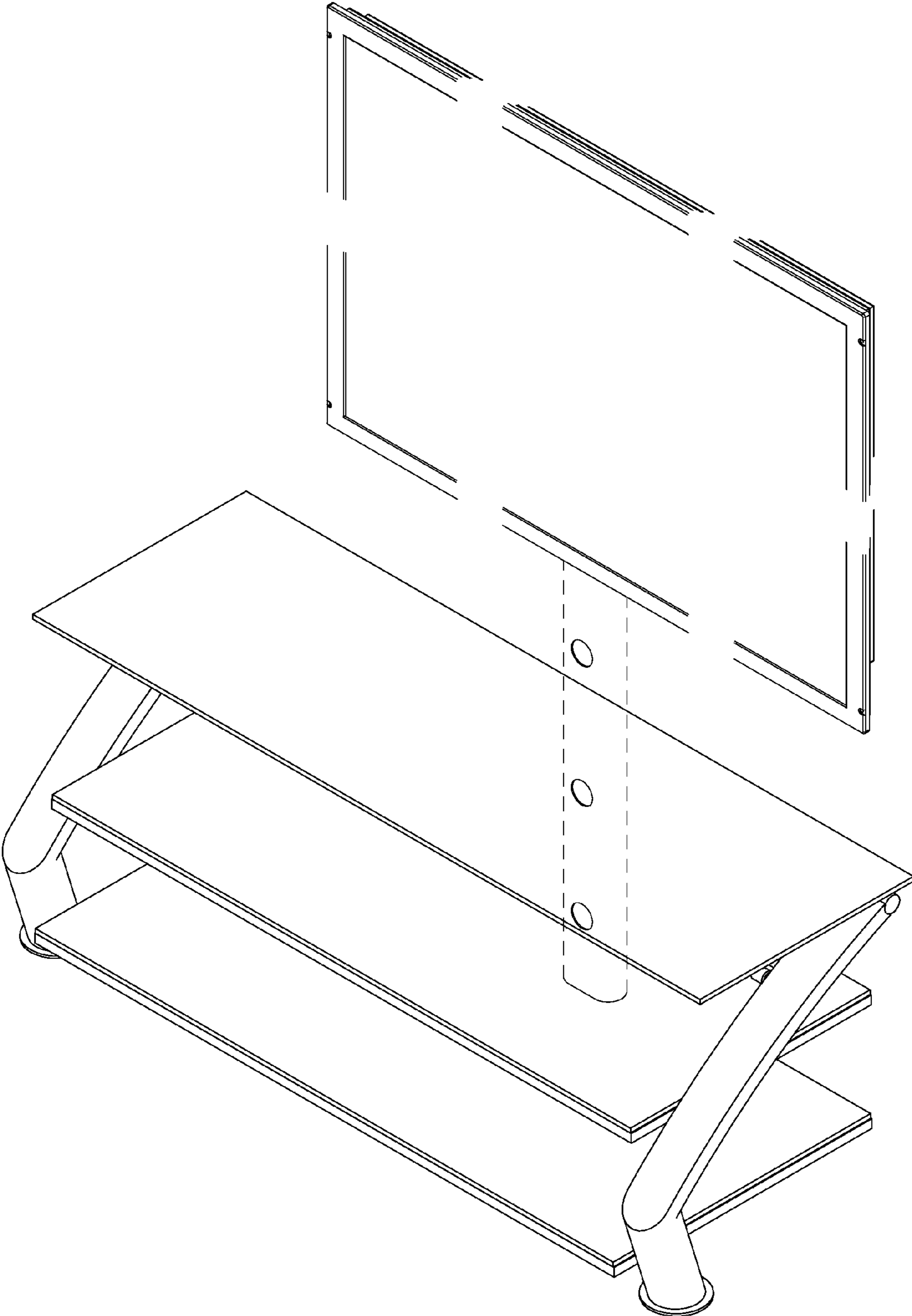


FIG. 8