



US00D651825S

(12) **United States Design Patent**  
**Kelley, III**

(10) **Patent No.:** **US D651,825 S**  
(45) **Date of Patent:** **\*\* Jan. 10, 2012**

(54) **MUSIC STANDZA**

(76) Inventor: **Ted N. Kelley, III**, Boca Raton, FL (US)

(\*\*) Term: **14 Years**

(21) Appl. No.: **29/380,452**

(22) Filed: **Dec. 6, 2010**

(51) **LOC (9) Cl.** ..... **06-01**

(52) **U.S. Cl.** ..... **D6/432**

(58) **Field of Classification Search** ..... D14/100,  
D14/102, 107-109; D6/432, 436, 445, 448;  
D13/162-163, 184, 199; 312/208.1  
See application file for complete search history.

(56) **References Cited**

**U.S. PATENT DOCUMENTS**

D591,078 S \* 4/2009 Singler et al. .... D6/432  
D591,974 S \* 5/2009 Singler et al. .... D6/432  
D619,824 S \* 7/2010 Preussner-Pfaff et al. .... D6/432

\* cited by examiner

*Primary Examiner* — Brian N Vinson

(74) *Attorney, Agent, or Firm* — Buckingham, Doolittle & Burroughs, LLP

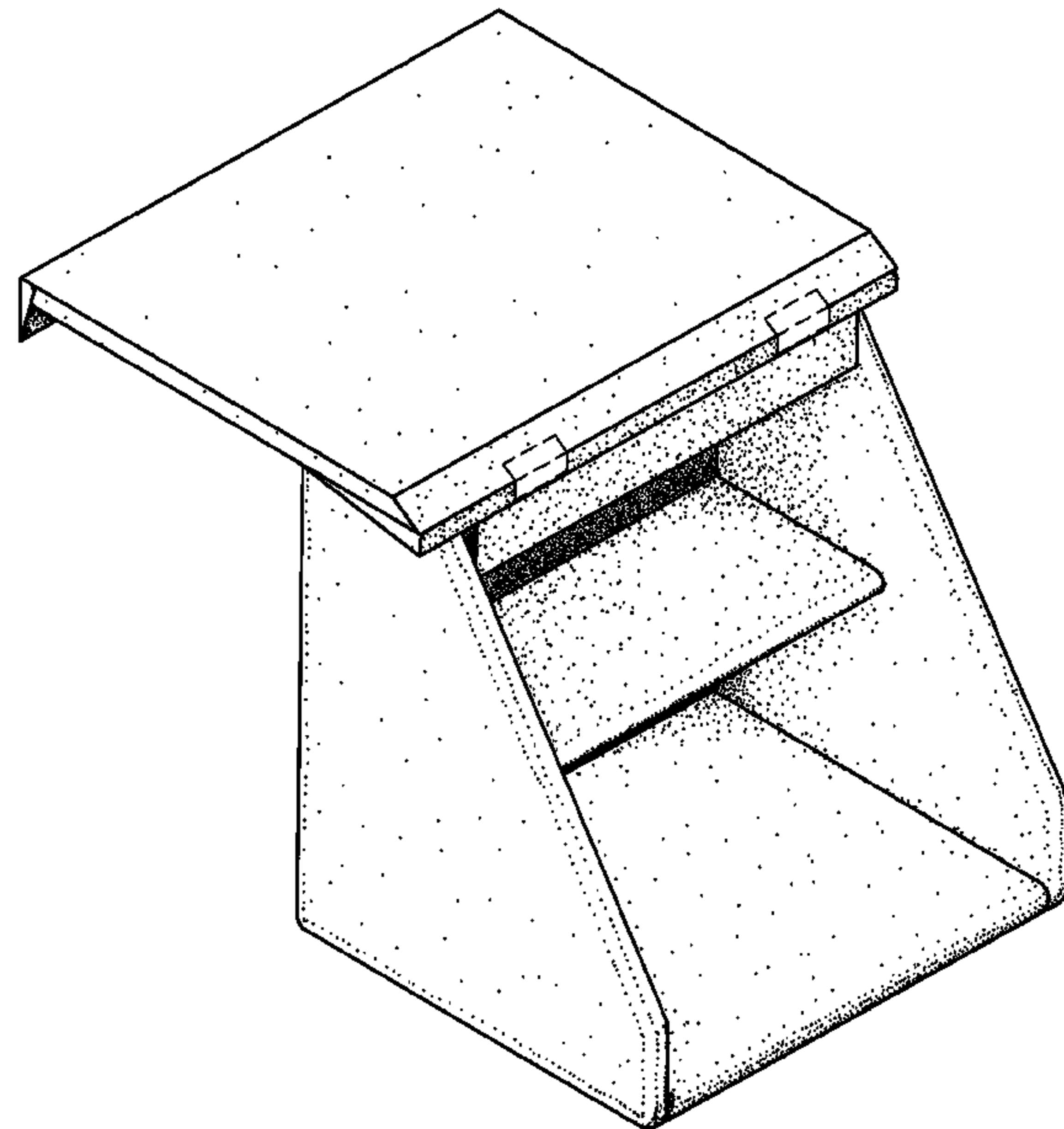
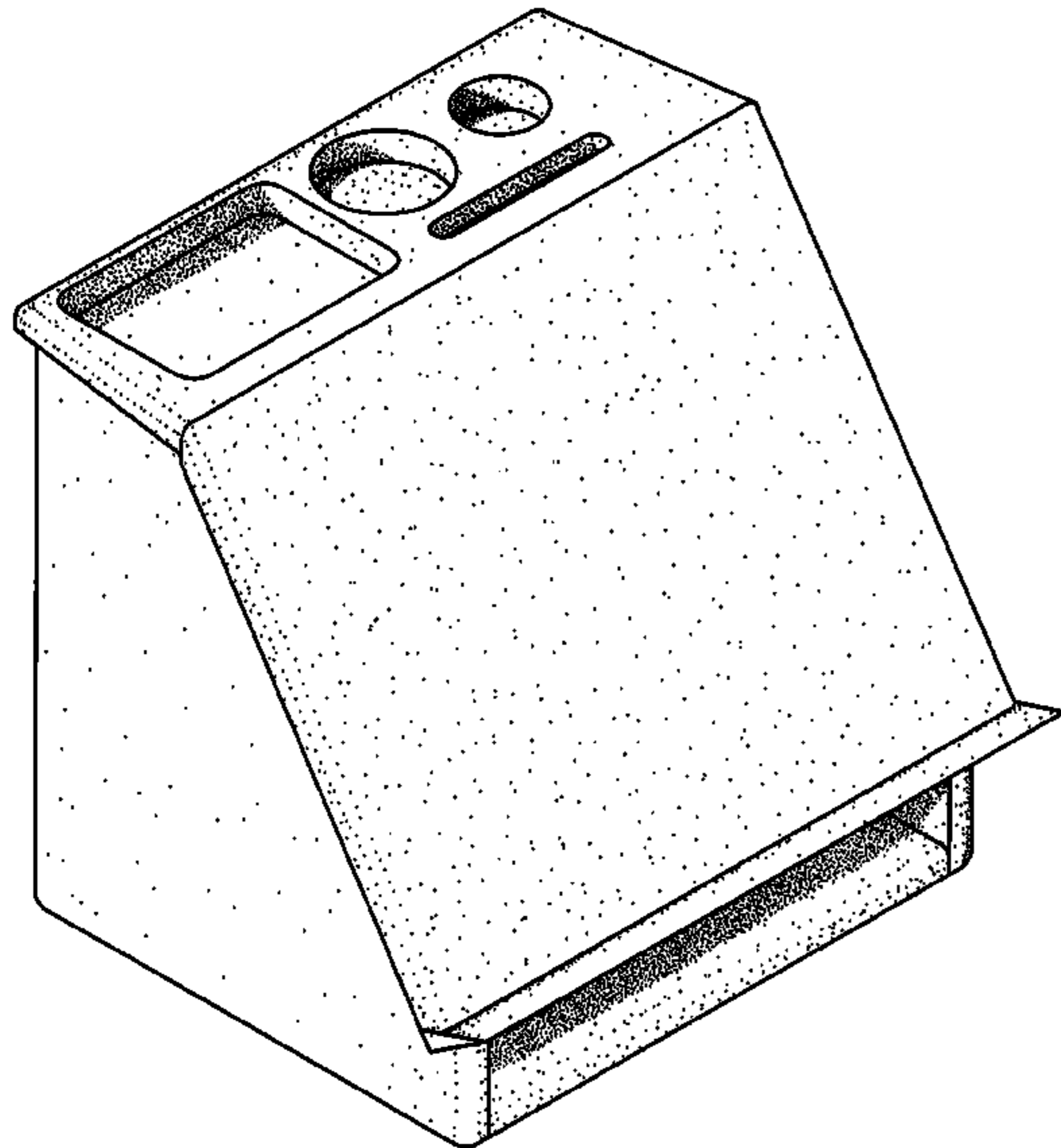
(57) **CLAIM**

I claim the ornamental design for music standza, as shown.

**DESCRIPTION**

FIG. 1 is a perspective view of a music standza;  
FIG. 2 is a front elevation view of a music standza;  
FIG. 3 is a left side view of a music standza;  
FIG. 4 is a right side view of a music standza;  
FIG. 5 is a top view of a music standza;  
FIG. 6 is a rear view of a music standza;  
FIG. 7 is a bottom view of a music standza; and,  
FIG. 8 is a perspective view of a music standza with the music display holder in an open position.  
The broken-line disclosure is understood to represent portions of the article in which the claimed design is embodied, but which form no part of the claimed design.

**1 Claim, 8 Drawing Sheets**



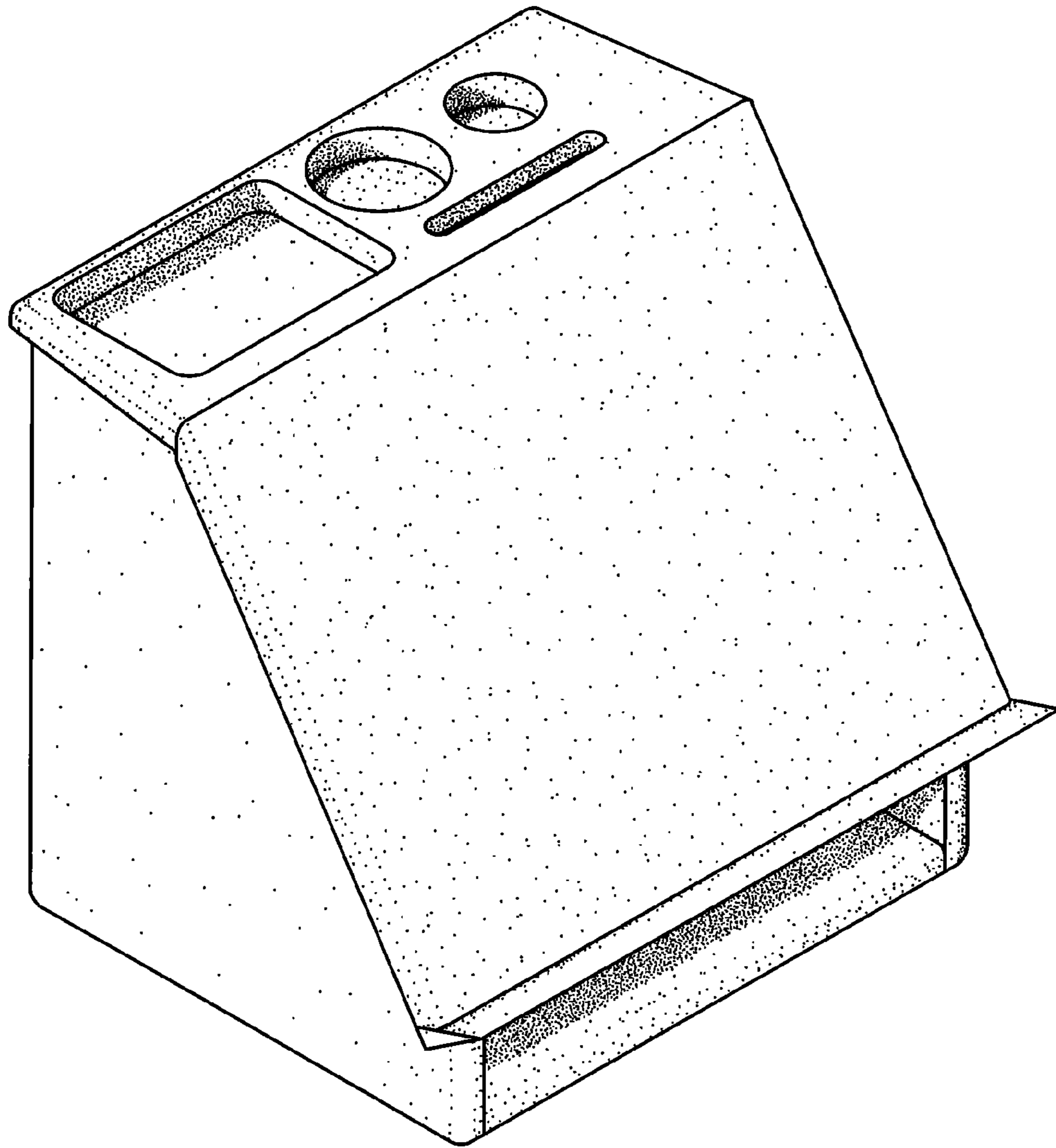


FIG. 1

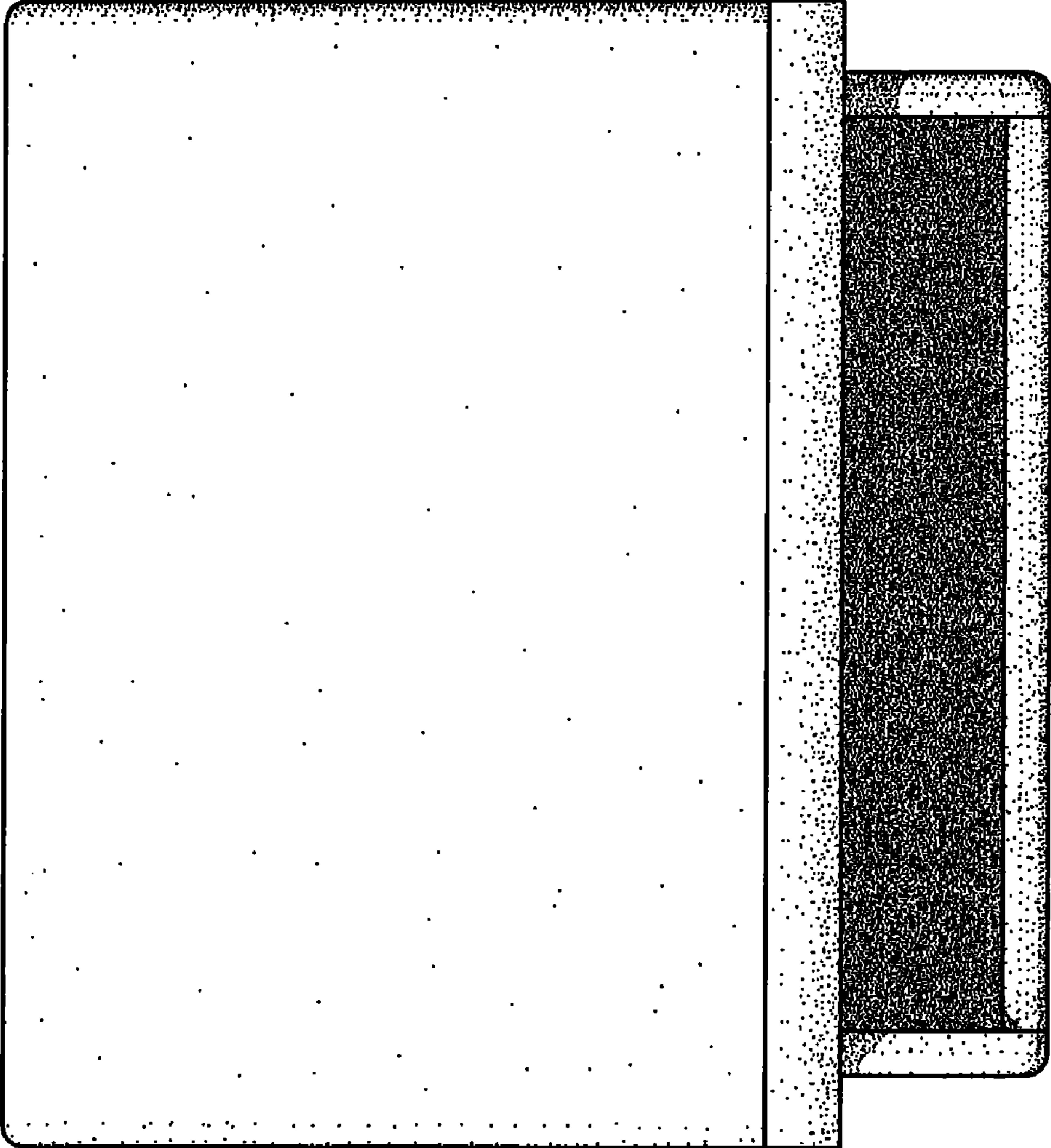


FIG. 2

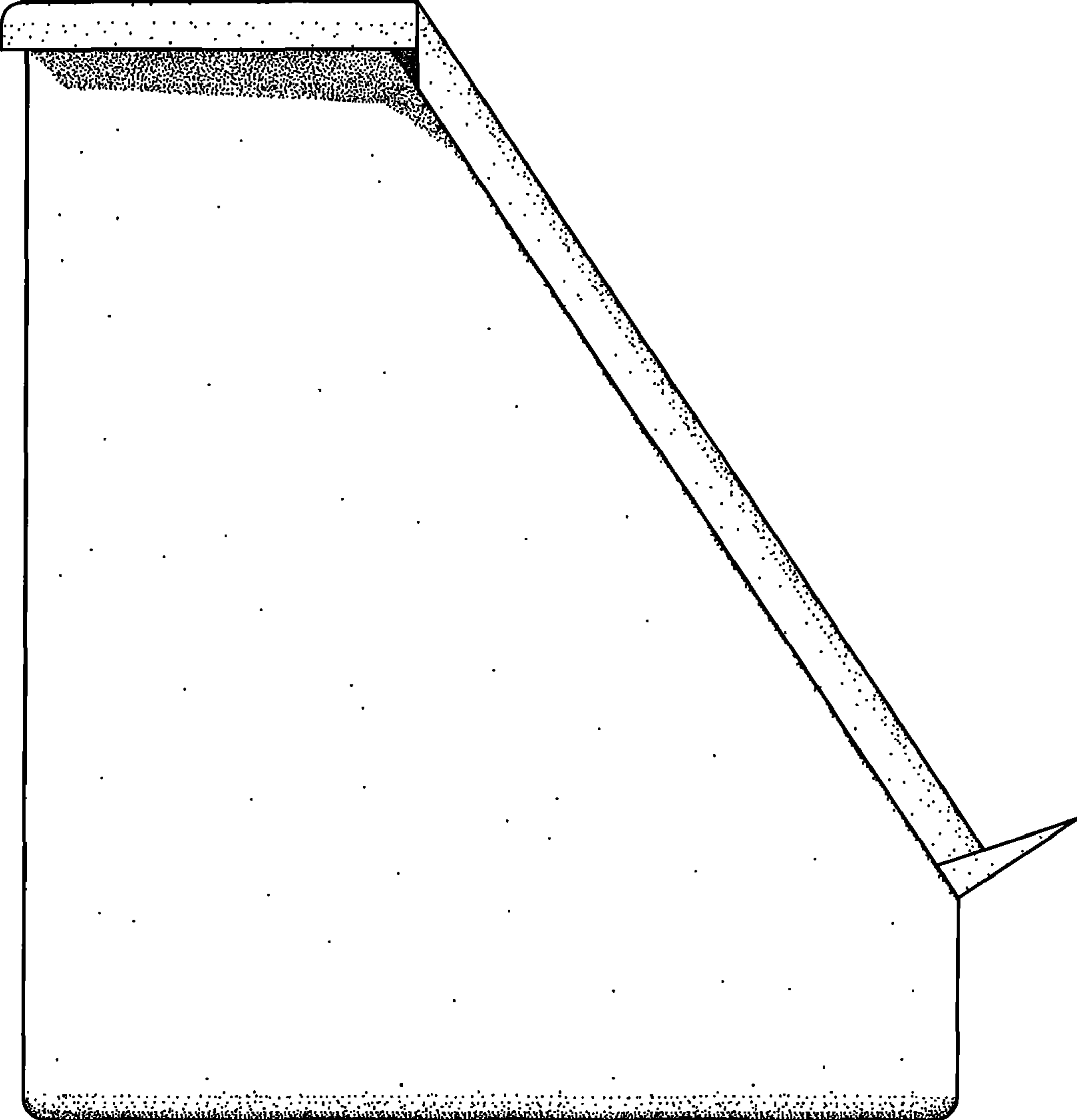


FIG. 3



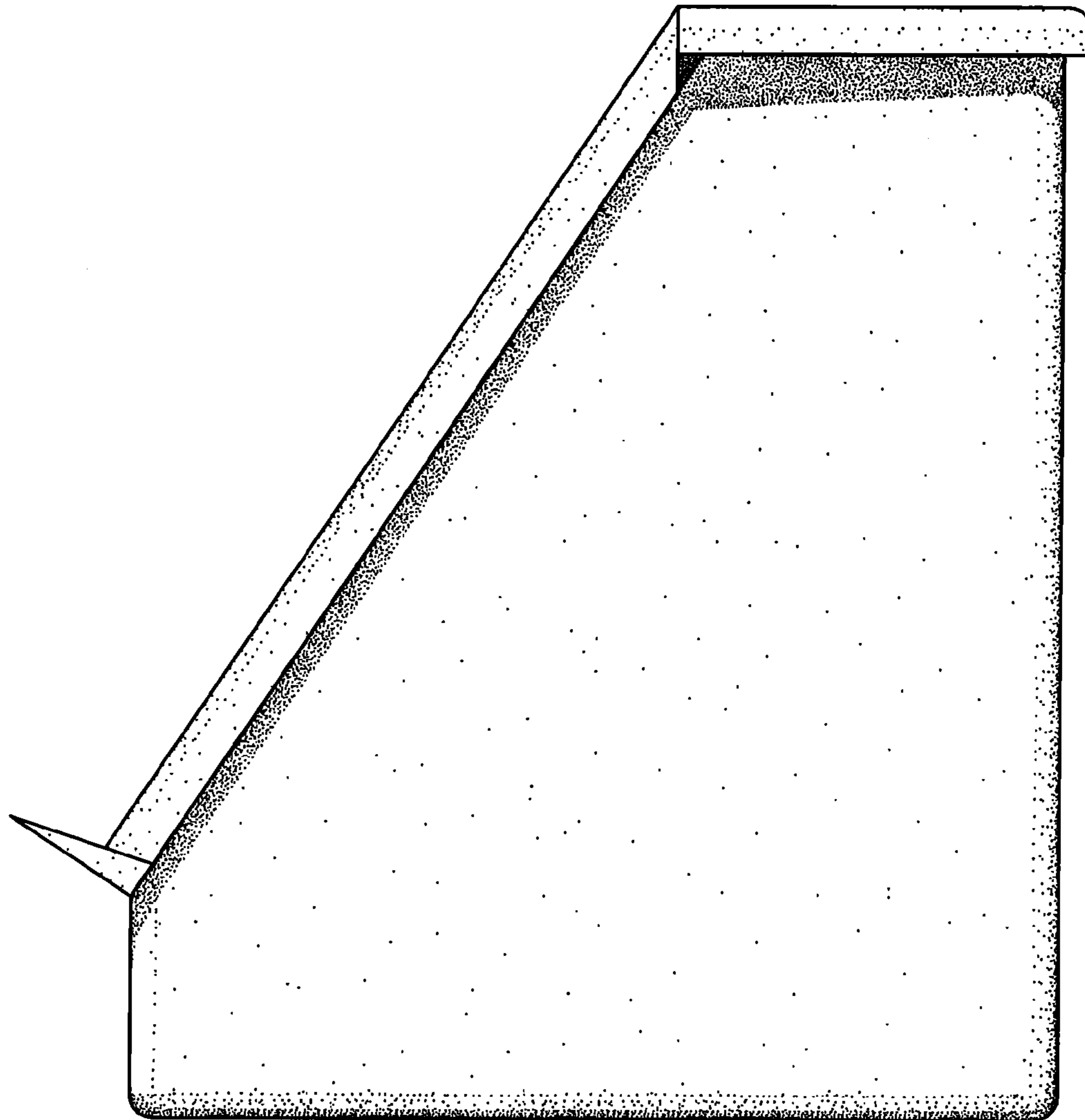


FIG. 4

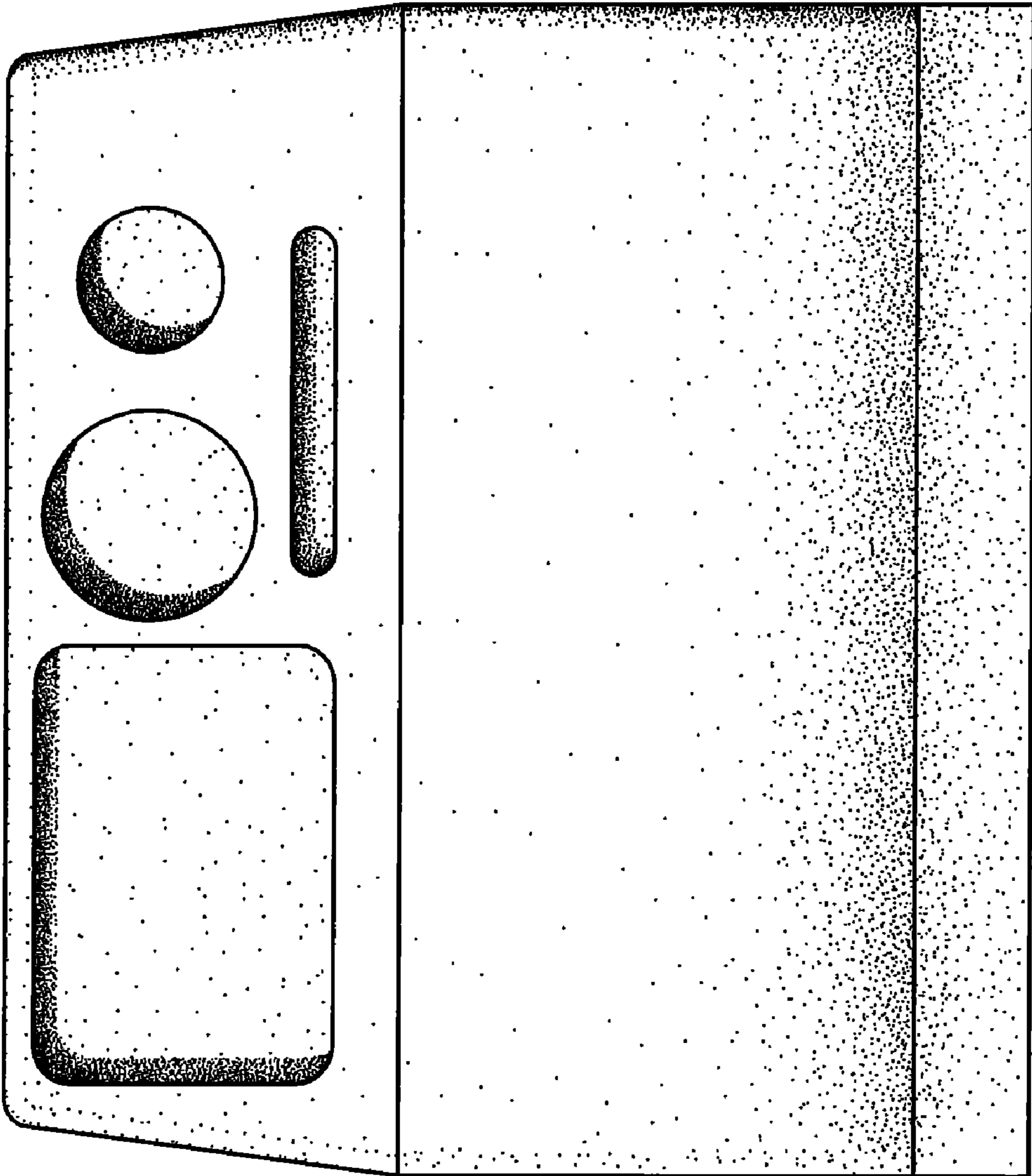


FIG. 5

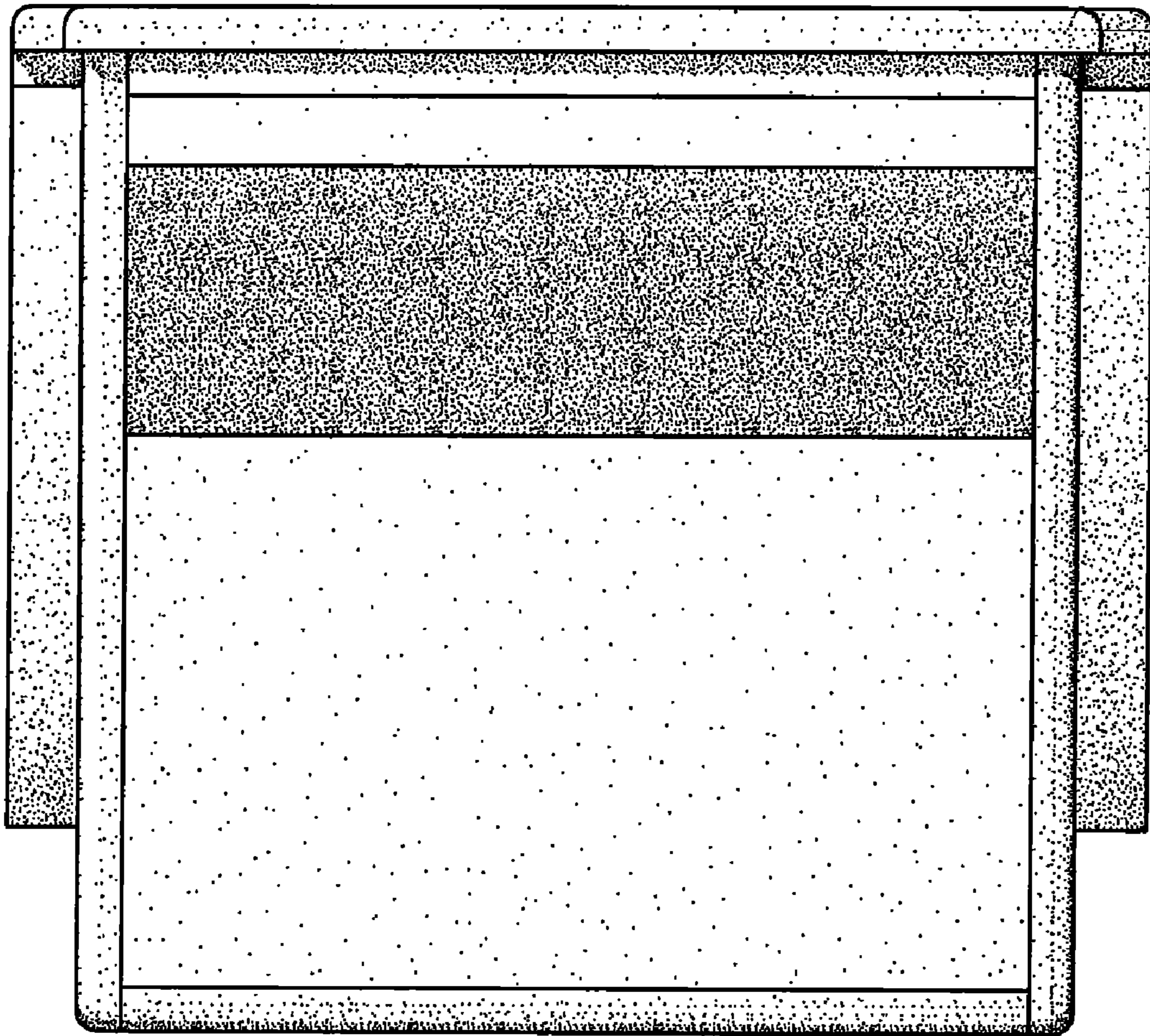


FIG. 6

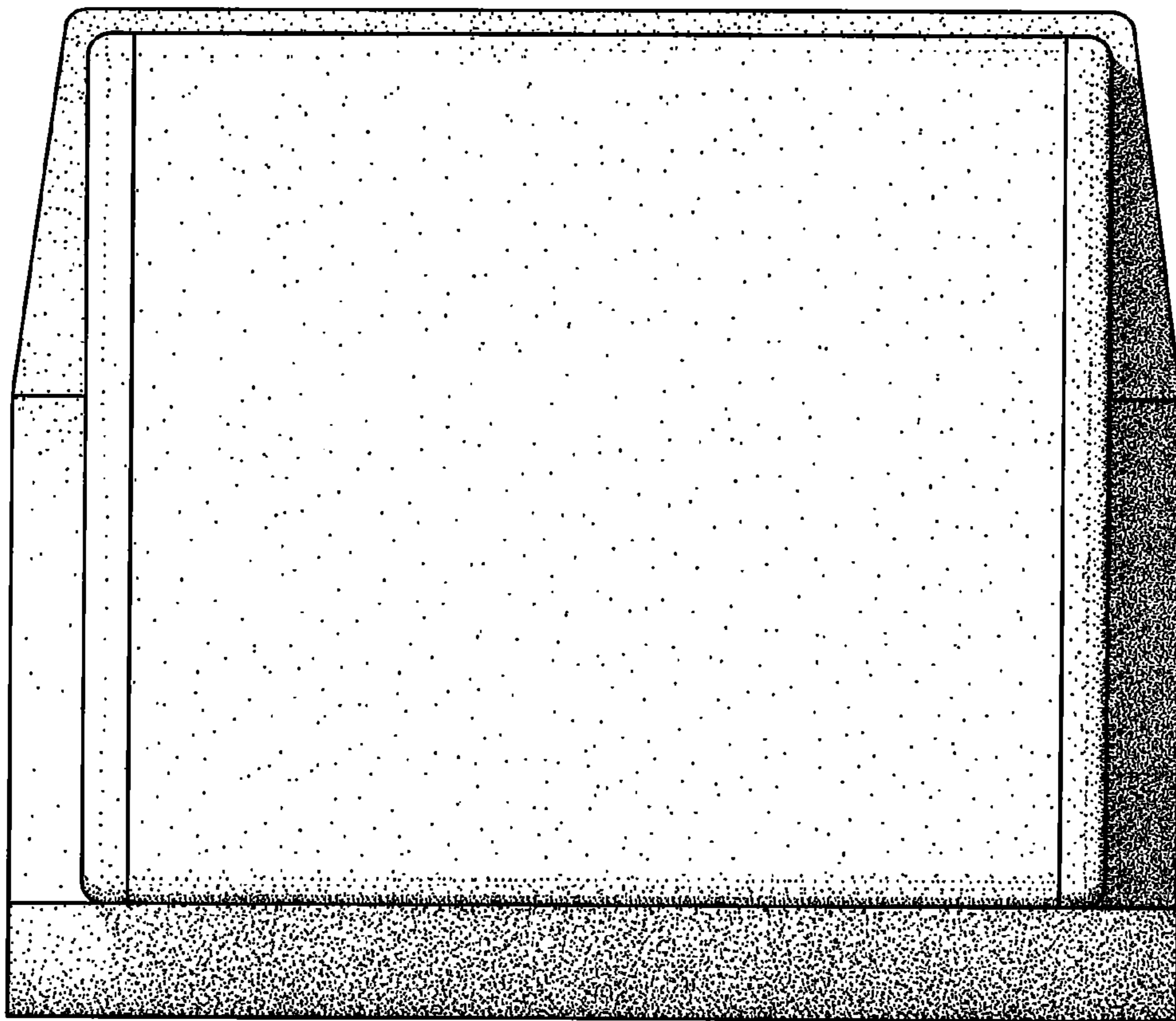


FIG. 7



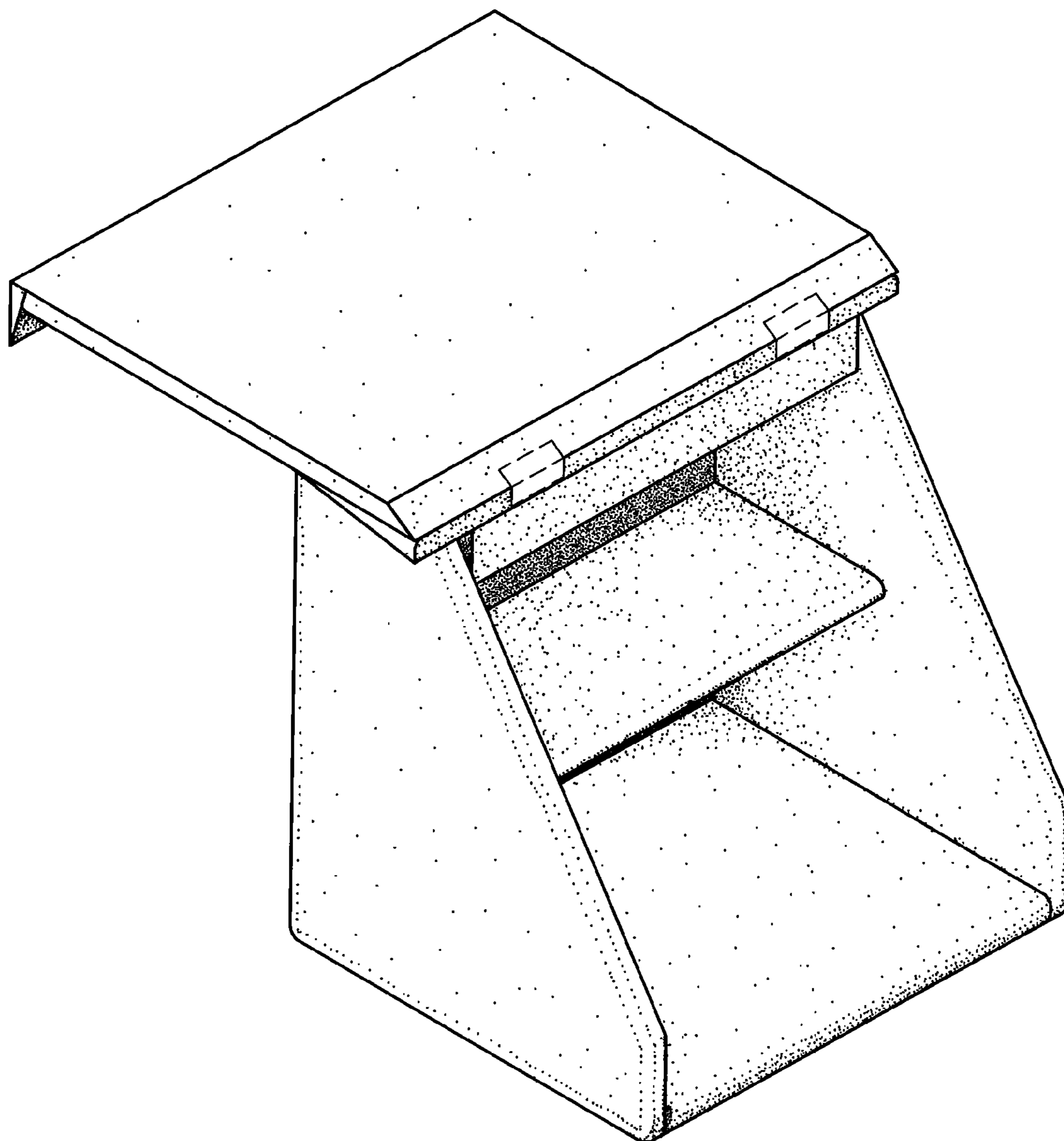


FIG. 8