



US00D651824S

(12) **United States Design Patent**
Hageman

(10) **Patent No.:** **US D651,824 S**
(45) **Date of Patent:** **** Jan. 10, 2012**

- (54) **ROLL WRAP DISPLAY**
- (75) Inventor: **Joel T. Hageman**, Lakewood, OH (US)
- (73) Assignee: **American Greetings Corporation**,
Cleveland, OH (US)
- (**) Term: **14 Years**
- (21) Appl. No.: **29/387,886**
- (22) Filed: **Mar. 21, 2011**
- (51) **LOC (9) Cl.** **06-01**
- (52) **U.S. Cl.** **D6/396**
- (58) **Field of Classification Search** D6/515,
D6/329, 396; D19/85, 92; D3/304; 211/13.1,
211/45, 49.1, 50, 60.1, 62, 70.6, 189; 206/730,
206/733, 389, 395
See application file for complete search history.

(56) **References Cited**

U.S. PATENT DOCUMENTS

2,681,156	A *	6/1954	Williams	211/49.1
3,779,152	A *	12/1973	Smith	211/50
D264,352	S *	5/1982	Goutchat	D19/92
D275,406	S *	9/1984	Battle	D19/85
D328,213	S *	7/1992	Mancuso	D6/515

D477,914	S *	8/2003	Chandaria	D3/304
D479,043	S *	9/2003	Chandaria	D3/304
2003/0106835	A1	6/2003	Hubbs et al.		
2005/0126122	A1	6/2005	Terrell et al.		

* cited by examiner

Primary Examiner — Brian N Vinson

(74) *Attorney, Agent, or Firm* — Roetzel & Andress

(57) **CLAIM**

The ornamental design for a roll wrap display, as shown and described.

DESCRIPTION

FIG. 1 is a top, front, and side perspective view of a roll wrap display showing my new design, the broken-line disclosure of rolled wrap tubes being for illustrative purposes only and forming no part of the claimed design;

FIG. 2 is an additional top, front, and side perspective view thereof;

FIG. 3 is a bottom, front, and side perspective thereof;

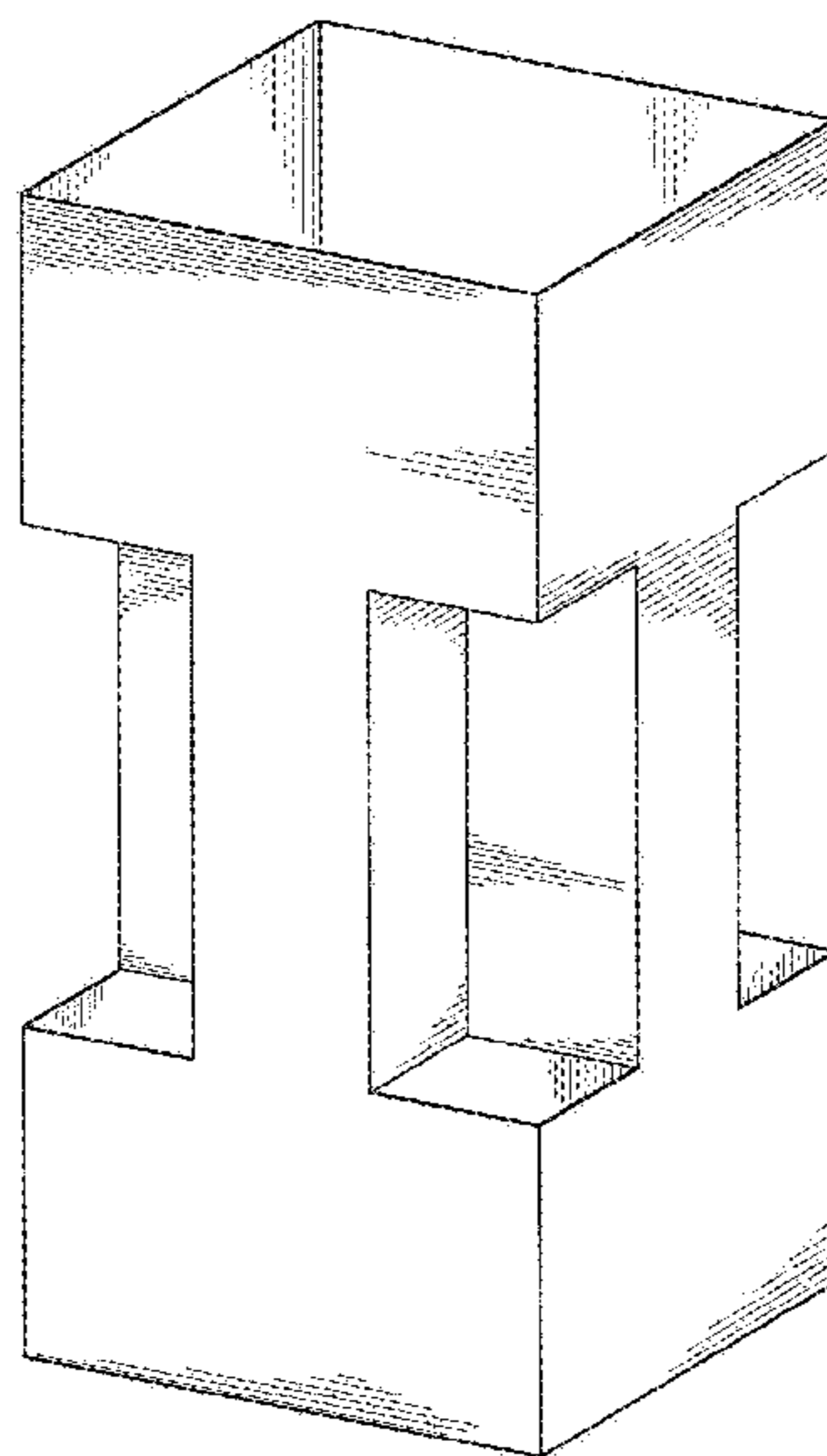
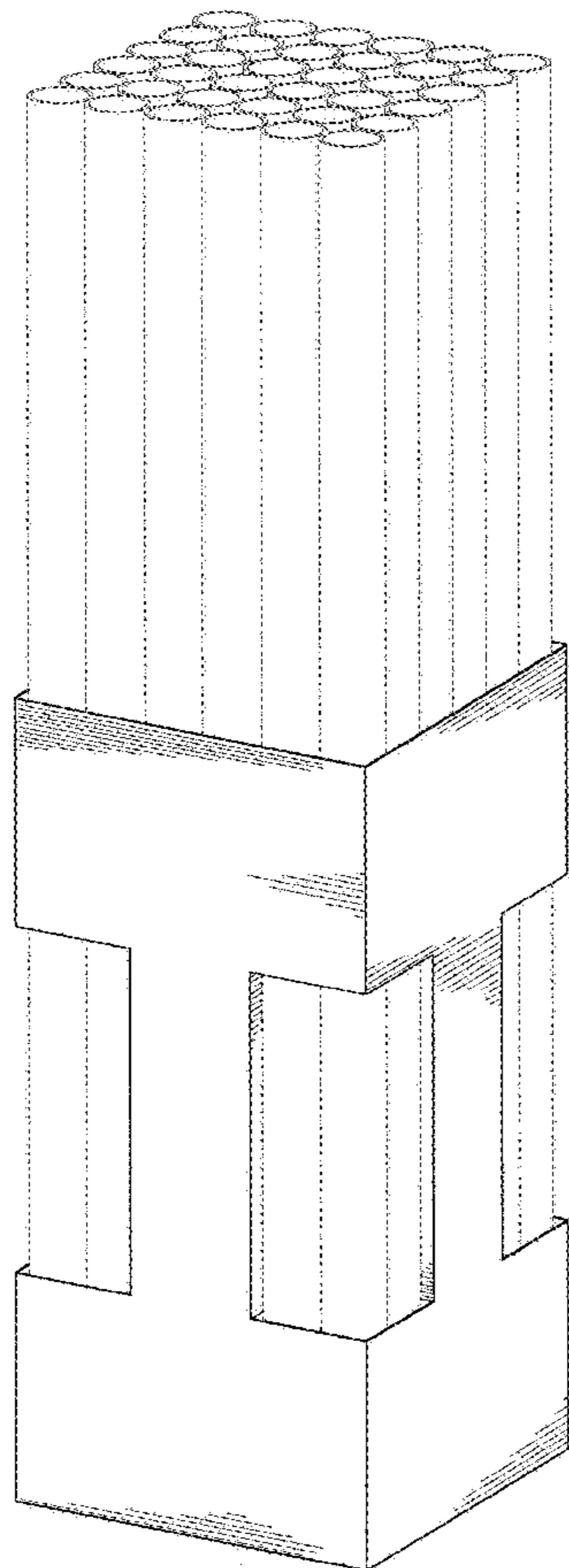
FIG. 4 is a right side elevational view thereof;

FIG. 5 is a left side elevational view thereof;

FIG. 6 is a top plan view thereof; and,

FIG. 7 is a bottom plan view thereof.

1 Claim, 3 Drawing Sheets



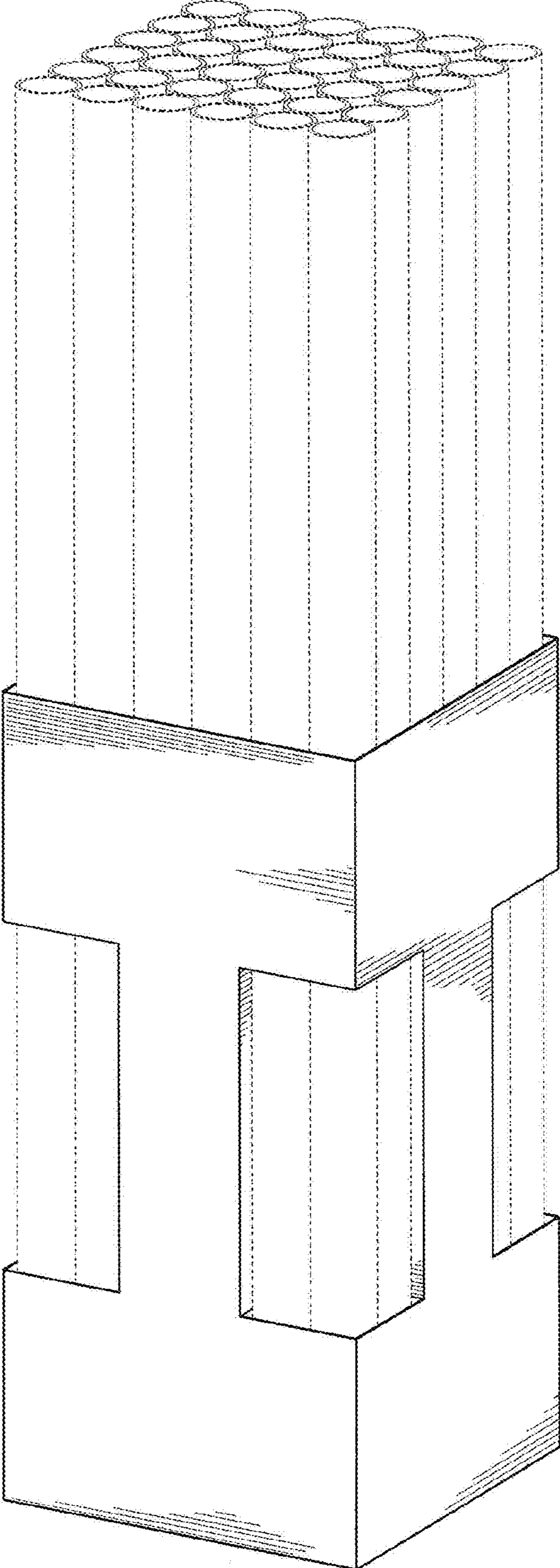


Fig. 1

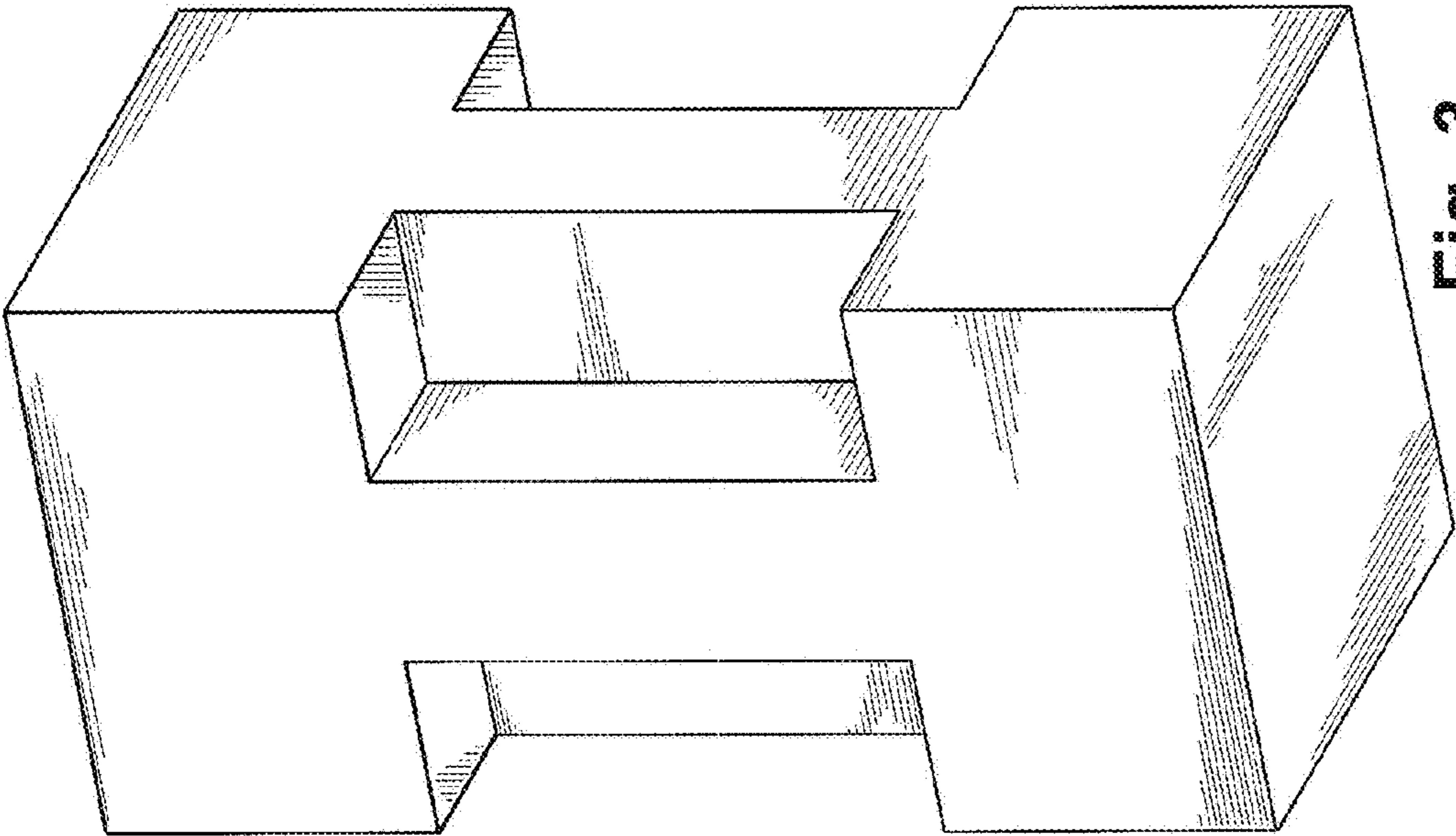


Fig. 3

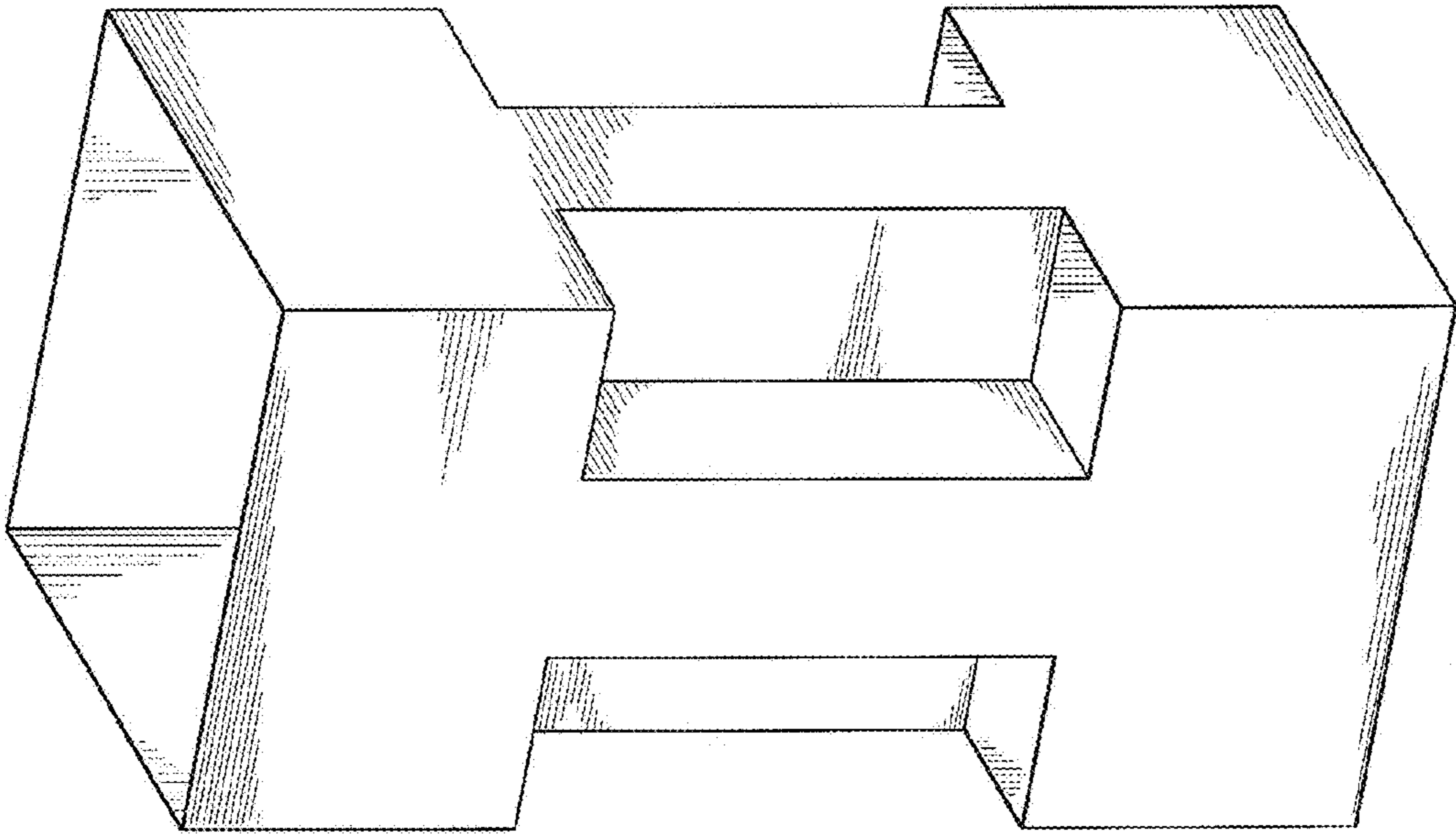


Fig. 2

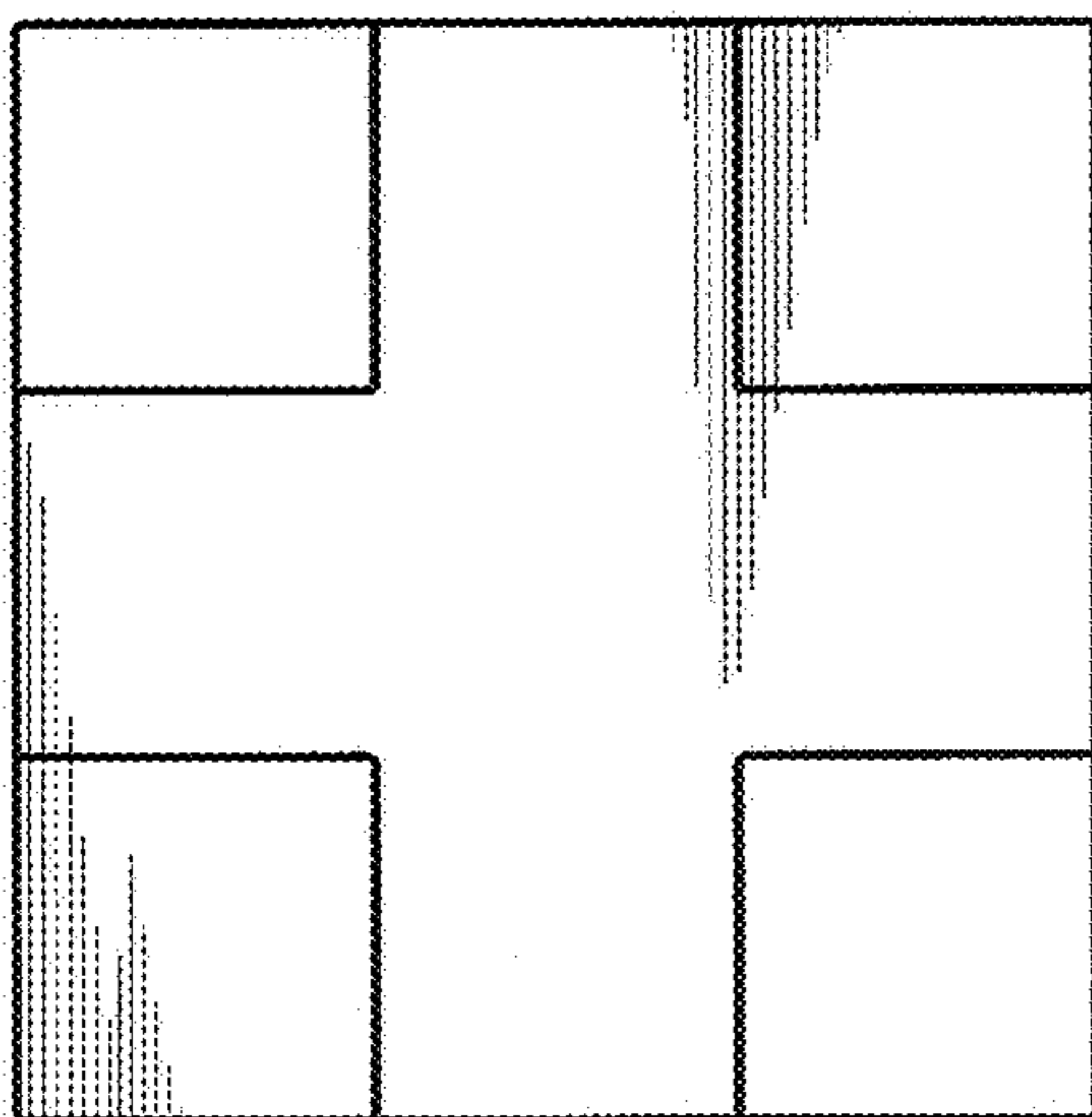


Fig. 6

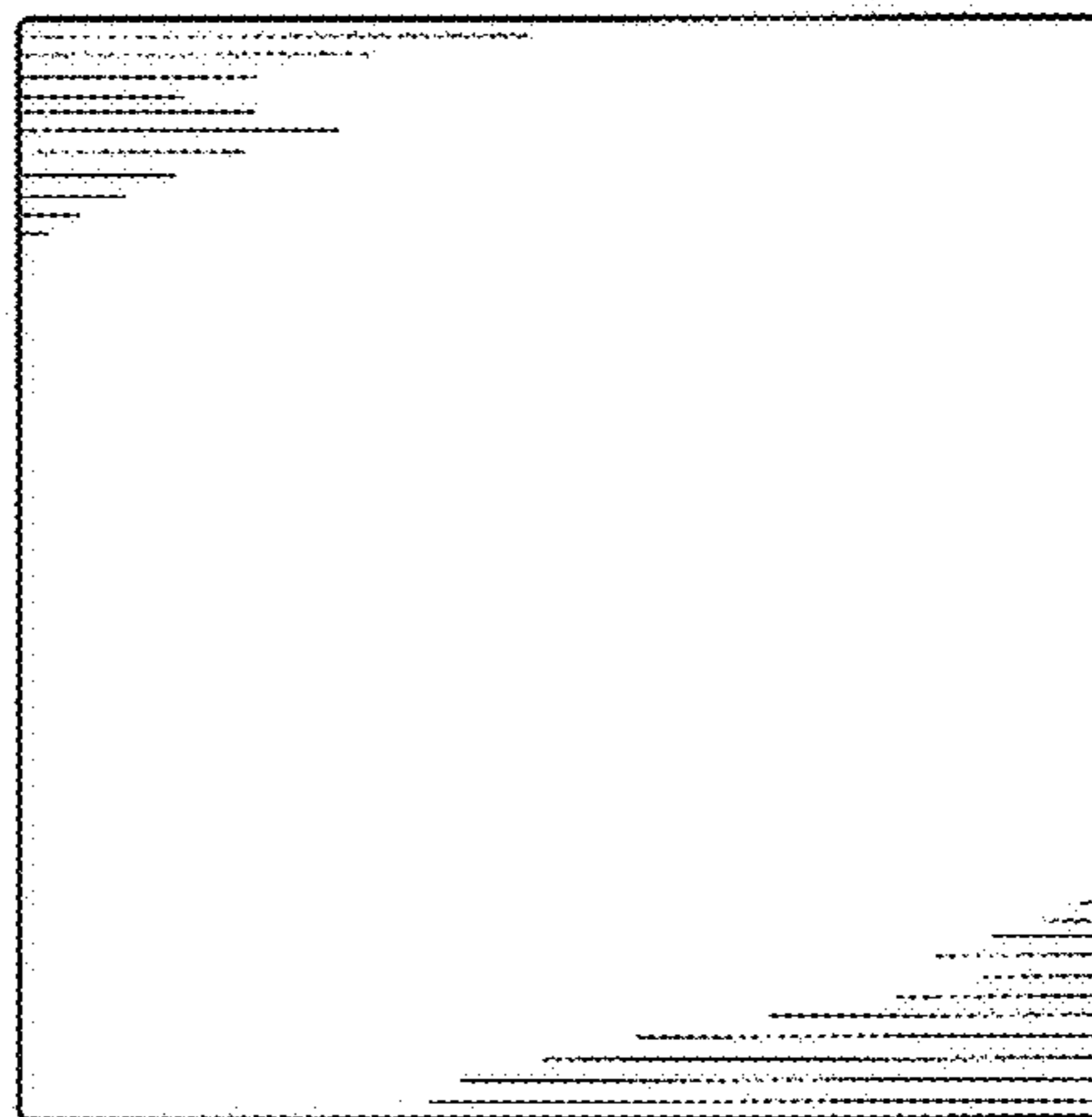


Fig. 7

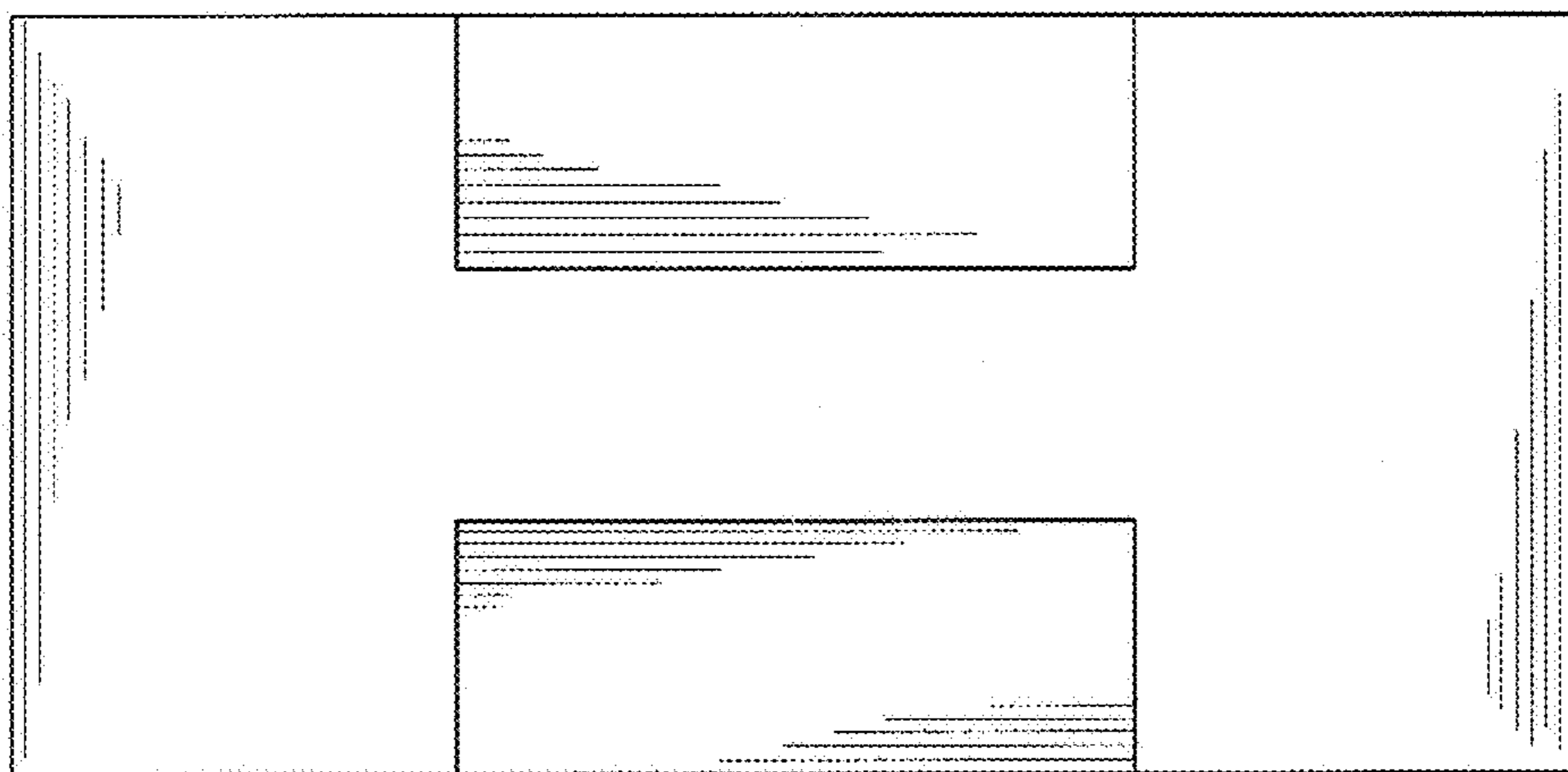


Fig. 5

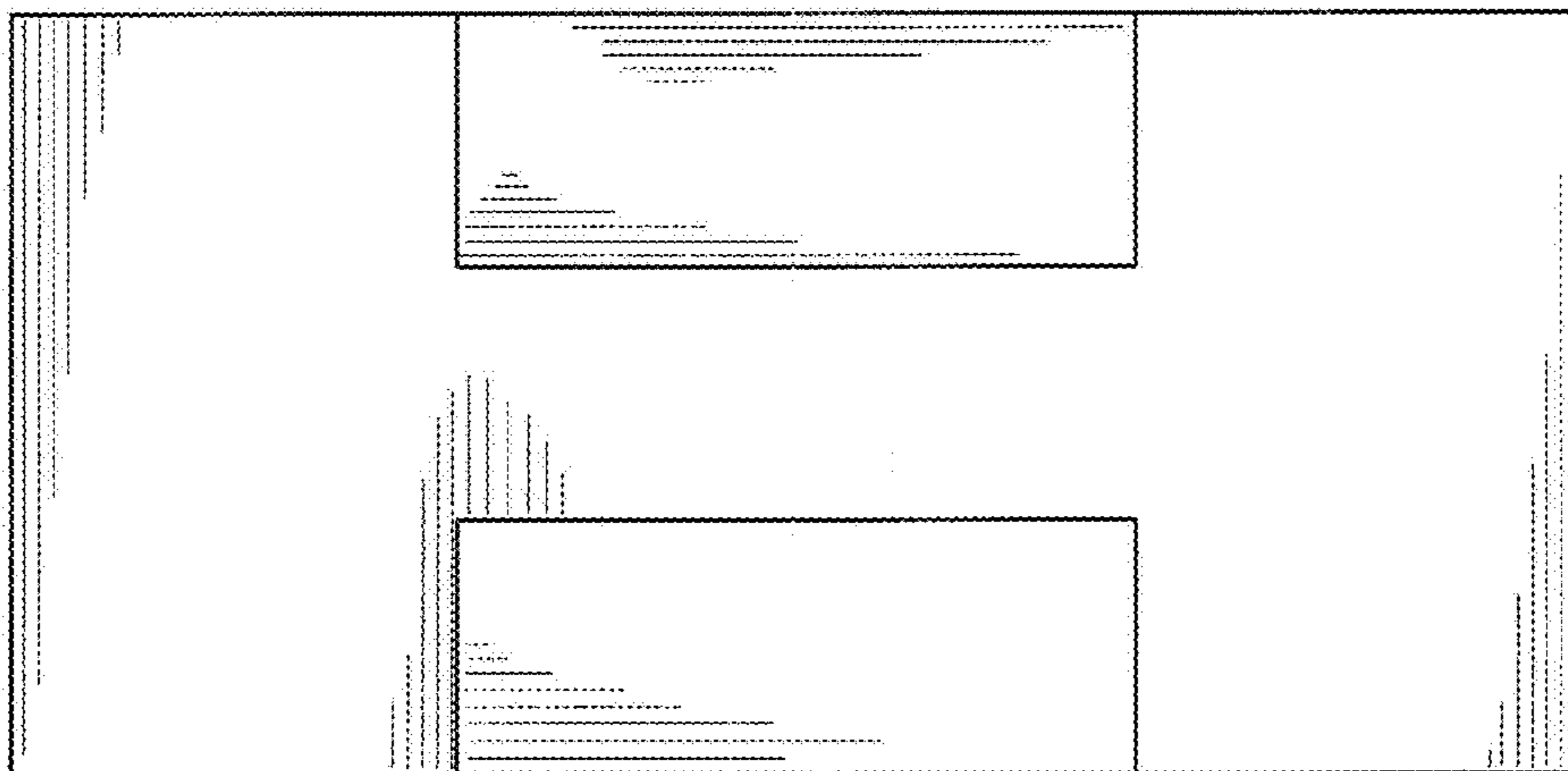


Fig. 4