



US00D651823S

(12) **United States Design Patent**  
**Zünd et al.**

(10) **Patent No.:** **US D651,823 S**  
(45) **Date of Patent:** **\*\* Jan. 10, 2012**

(54) **CHAIR**

(75) Inventors: **Roland Zünd**, Rebstein (CH); **Rüdiger Schaack**, Nürnberg (DE)

(73) Assignee: **Dauphin Entwicklungs-u. Beteiligungs-GmbH**, Hersbruck (DE)

(\*\*) Term: **14 Years**

(21) Appl. No.: **29/387,649**

(22) Filed: **Mar. 16, 2011**

(30) **Foreign Application Priority Data**

Sep. 20, 2010 (WO) ..... 565 862 301

(51) **LOC (9) Cl.** ..... **06-01**

(52) **U.S. Cl.** ..... **D6/372; D6/500**

(58) **Field of Classification Search** ..... D6/310,  
D6/334-336, 348, 358-381, 500-502; 297/31,  
297/239, 271.6, 11.2, 411.27, 411.28, 440.13,  
297/440.15, 445.1, 446.1, 446.2, 452.13,  
297/452.18

See application file for complete search history.

(56) **References Cited**

U.S. PATENT DOCUMENTS

D102,999 S \* 2/1937 Terker ..... D6/369  
D114,768 S \* 5/1939 Rogers ..... D6/375  
D118,040 S \* 12/1939 Gilkison ..... D6/372  
D118,041 S \* 12/1939 Gilkison ..... D6/372  
D130,925 S \* 12/1941 Roth ..... D6/372  
D164,487 S \* 9/1951 Goldberg ..... D6/372  
D172,658 S \* 7/1954 Budai ..... D6/372

D234,478 S \* 3/1975 Koepke ..... D6/372  
D286,106 S \* 10/1986 Franck et al. .... D6/372  
D307,836 S \* 5/1990 Favaretto ..... D6/372  
D309,535 S \* 7/1990 Wilson ..... D6/372  
D328,531 S \* 8/1992 Citterio ..... D6/372  
D341,037 S \* 11/1993 Pomeroy et al. .... D6/370  
D362,976 S \* 10/1995 Wingerter ..... D6/372  
D378,327 S \* 3/1997 Beaulieu ..... D6/372  
D399,072 S \* 10/1998 Holbrook ..... D6/372  
D420,523 S \* 2/2000 Stumpf et al. .... D6/372  
D467,751 S \* 12/2002 Lepper et al. .... D6/372  
D512,579 S \* 12/2005 Igarashi ..... D6/372  
D528,812 S \* 9/2006 Giugiaro ..... D6/372  
D564,771 S \* 3/2008 Dauphin ..... D6/372  
D606,769 S \* 12/2009 Ballendat ..... D6/372  
D617,110 S \* 6/2010 Dorner ..... D6/372  
D622,073 S \* 8/2010 Igarashi ..... D6/372  
D622,074 S \* 8/2010 Igarashi ..... D6/372  
2008/0036267 A1 \* 2/2008 Maier et al. .... 297/452.18

\* cited by examiner

*Primary Examiner* — Ricky Pham

(74) *Attorney, Agent, or Firm* — McGlew and Tuttle, P.C.

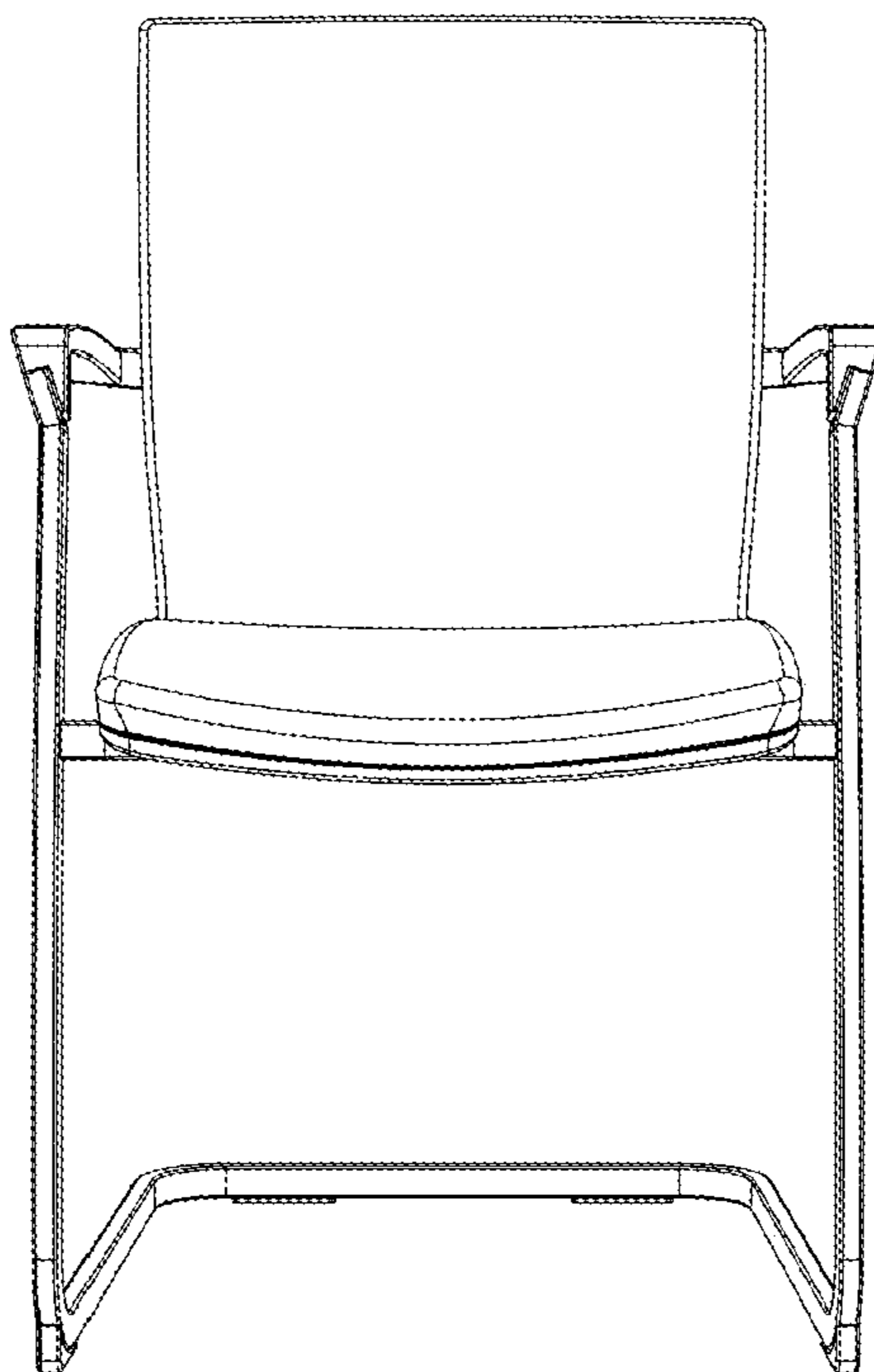
(57) **CLAIM**

The ornamental design for a chair, as shown and described.

**DESCRIPTION**

FIG. 1 is a front view of a chair, showing our new design;  
FIG. 2 is a rear view thereof;  
FIG. 3 is a top view thereof;  
FIG. 4 is a bottom view thereof;  
FIG. 5 is a lateral view (right side) thereof;  
FIG. 6 is a lateral view (left side) thereof; and,  
FIG. 7 is a perspective view thereof.

**1 Claim, 4 Drawing Sheets**



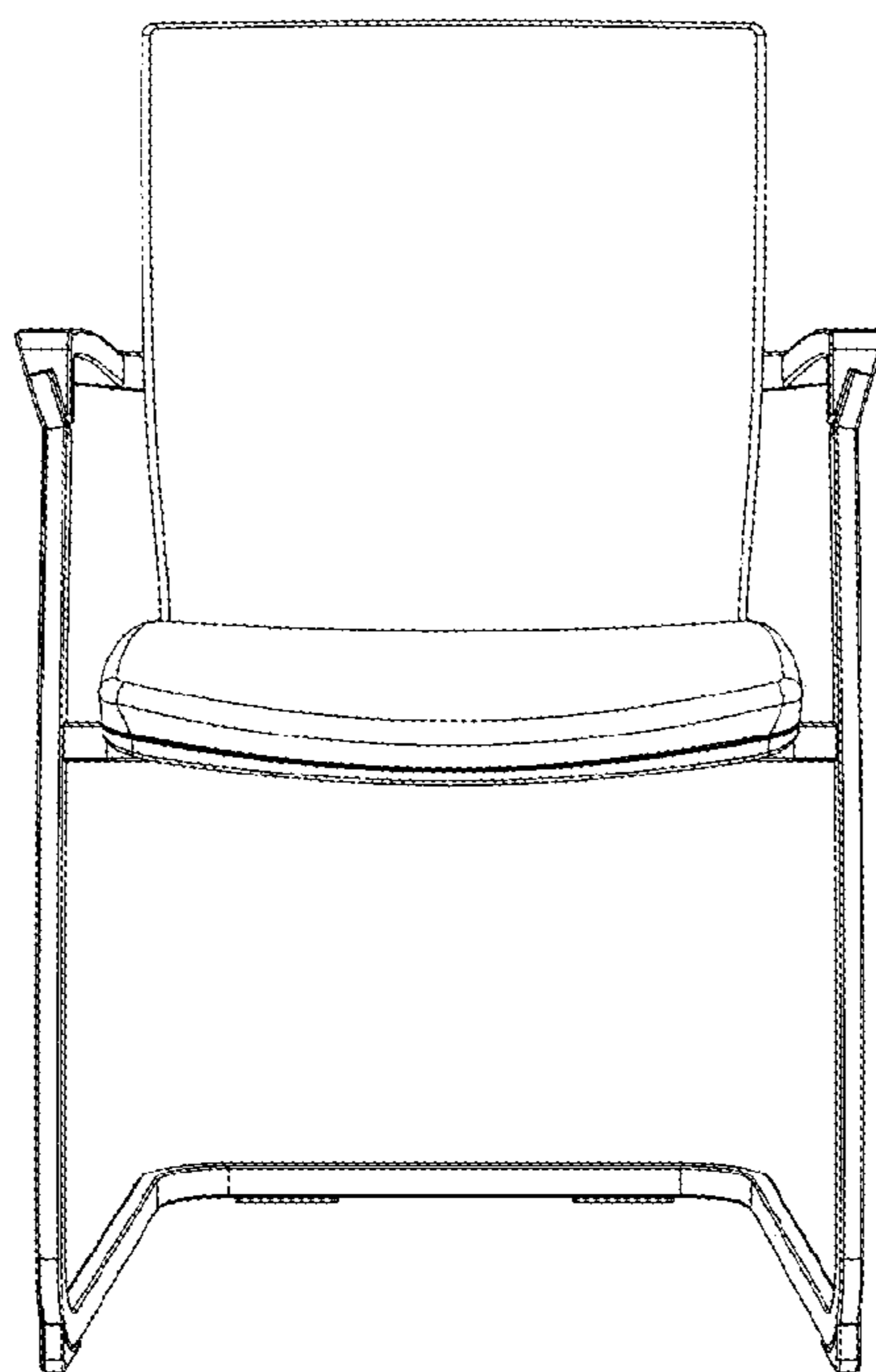


FIG. 1

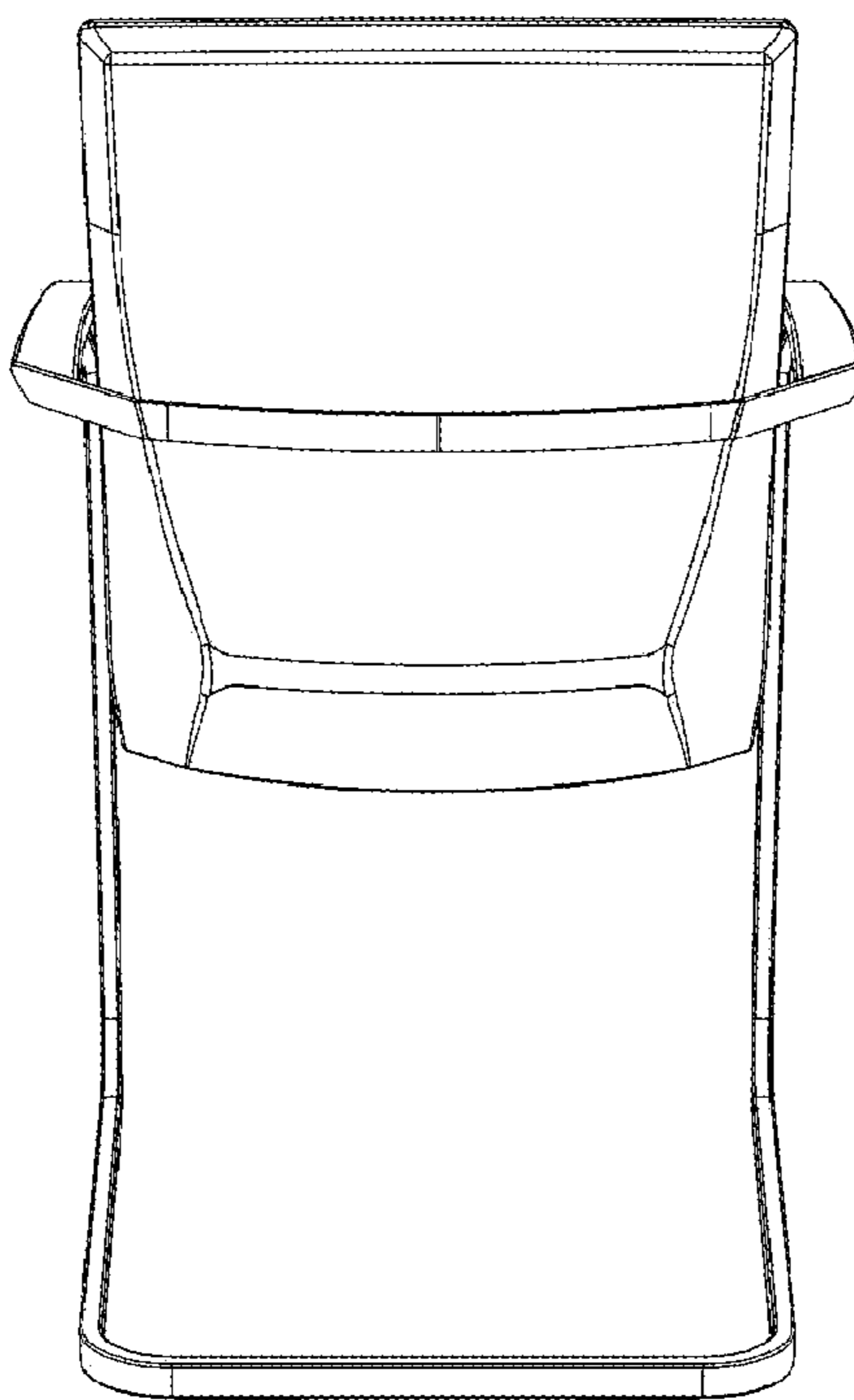


FIG. 2

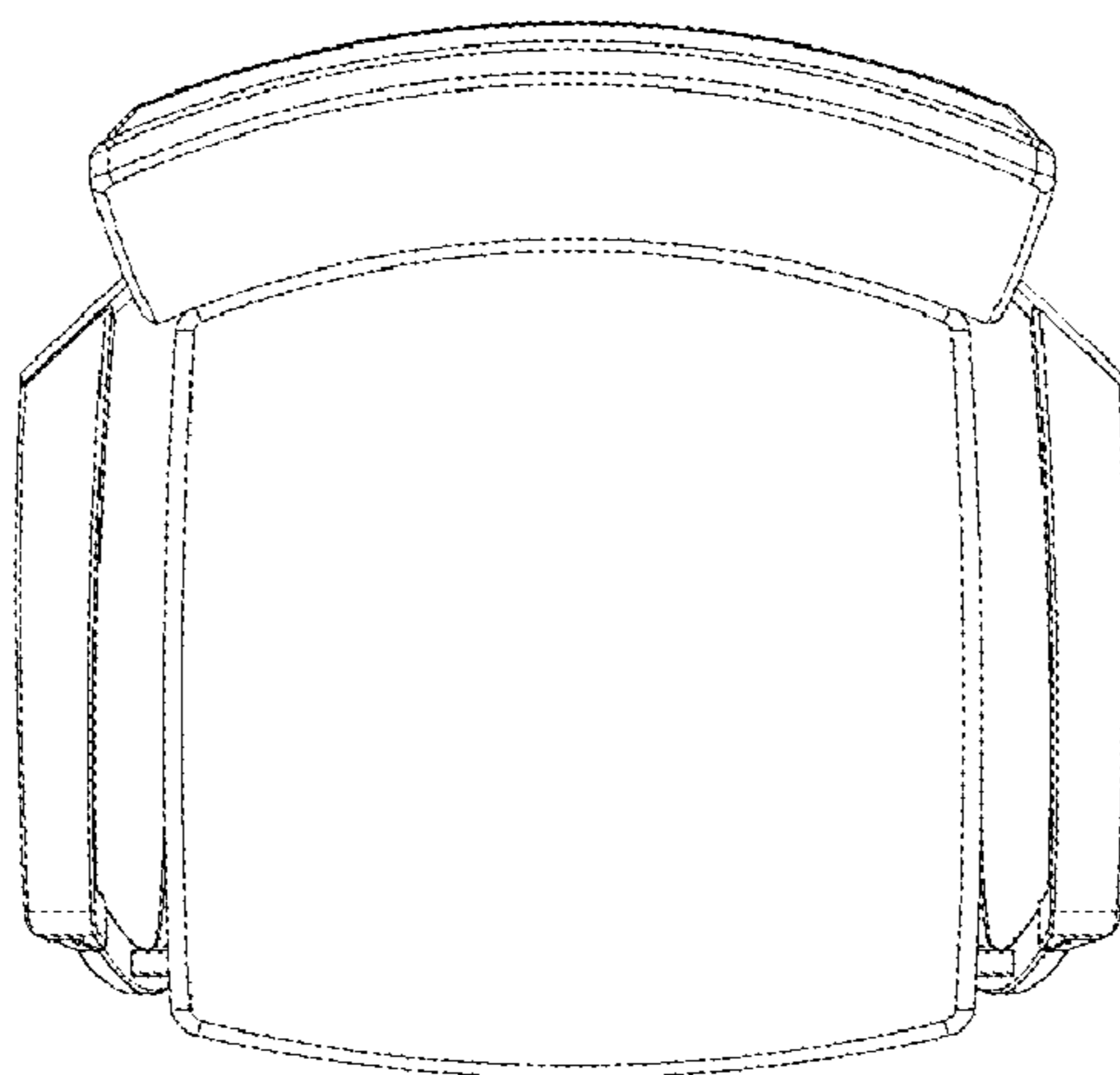


FIG. 3

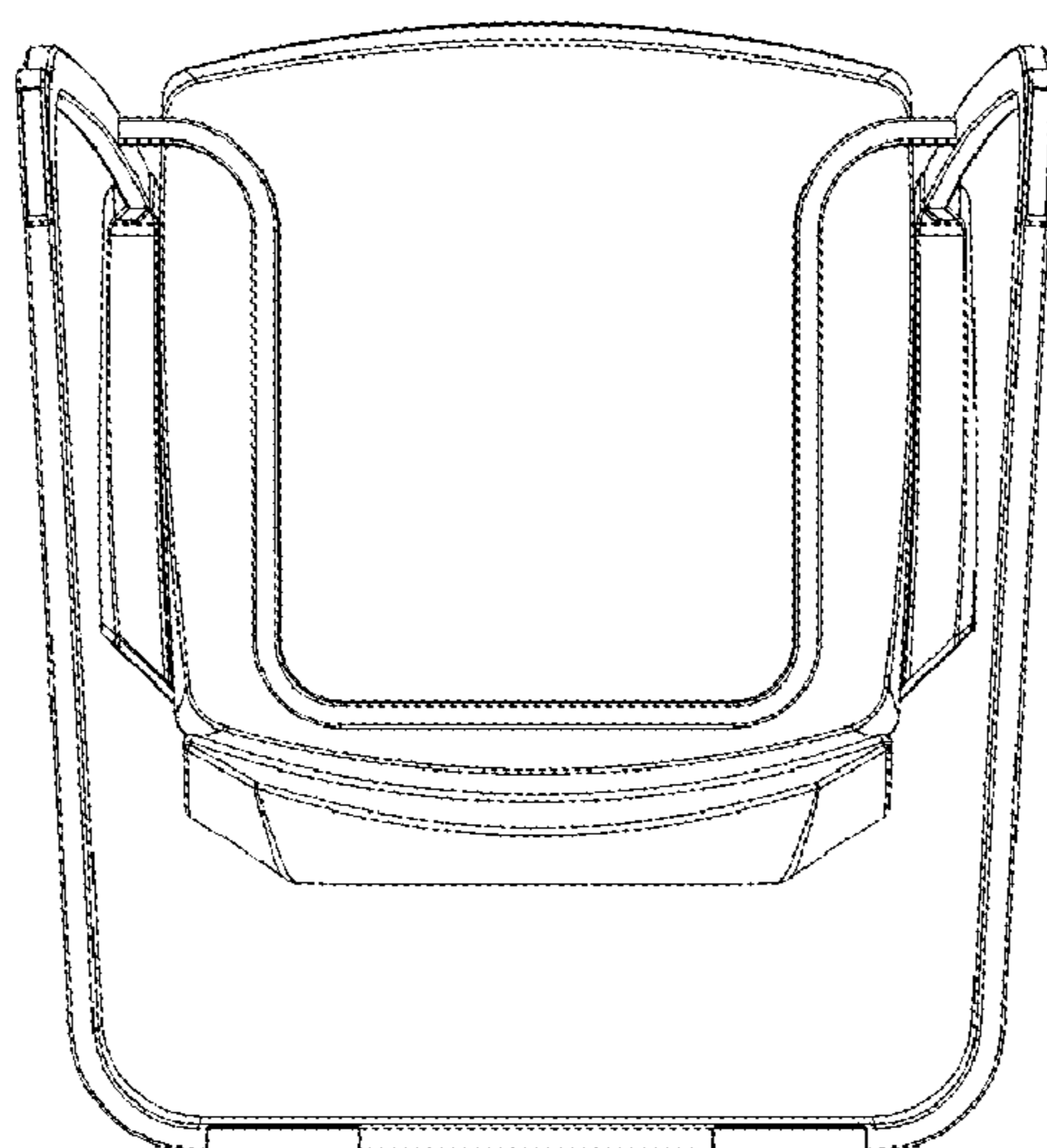


FIG. 4

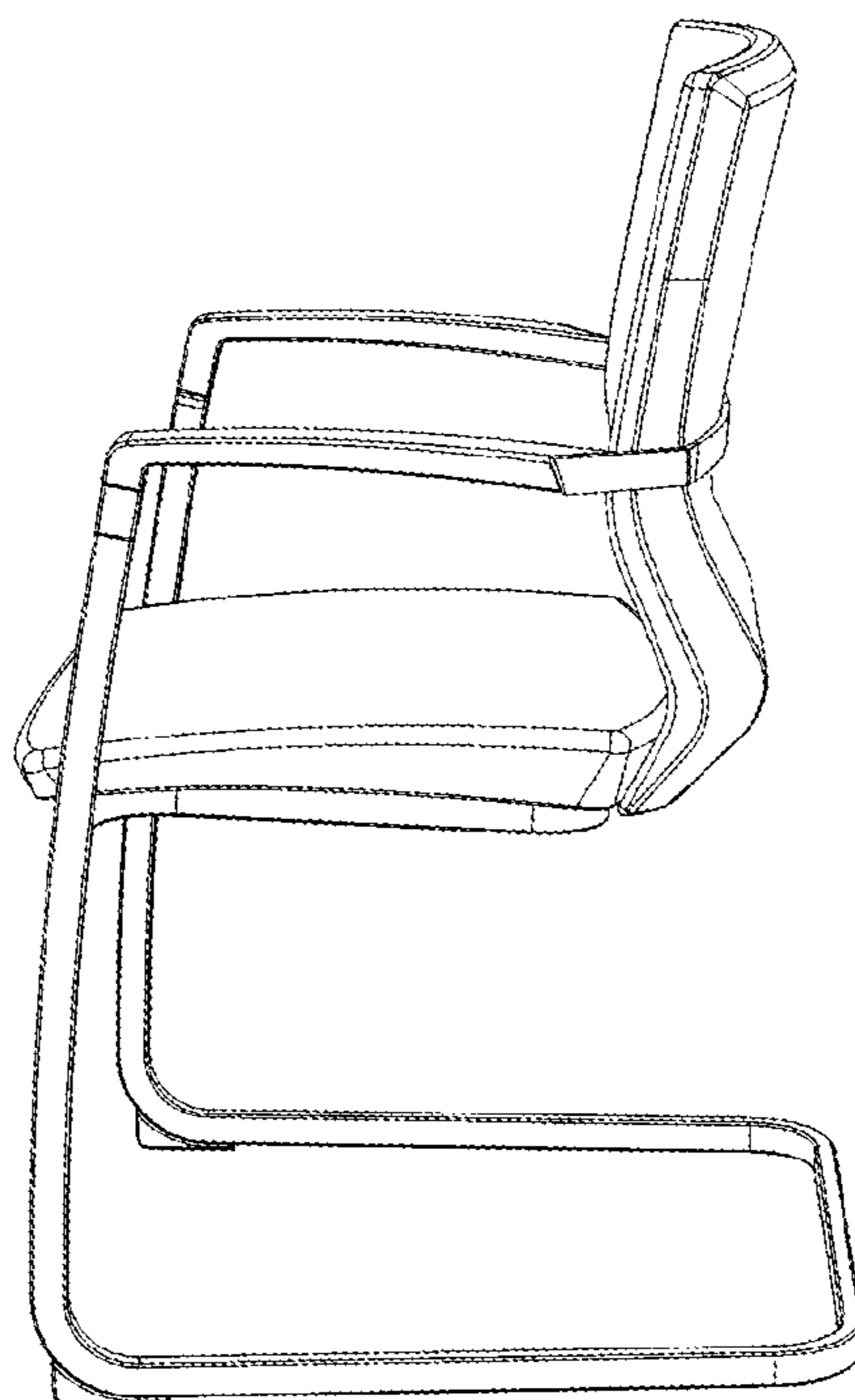


FIG. 5

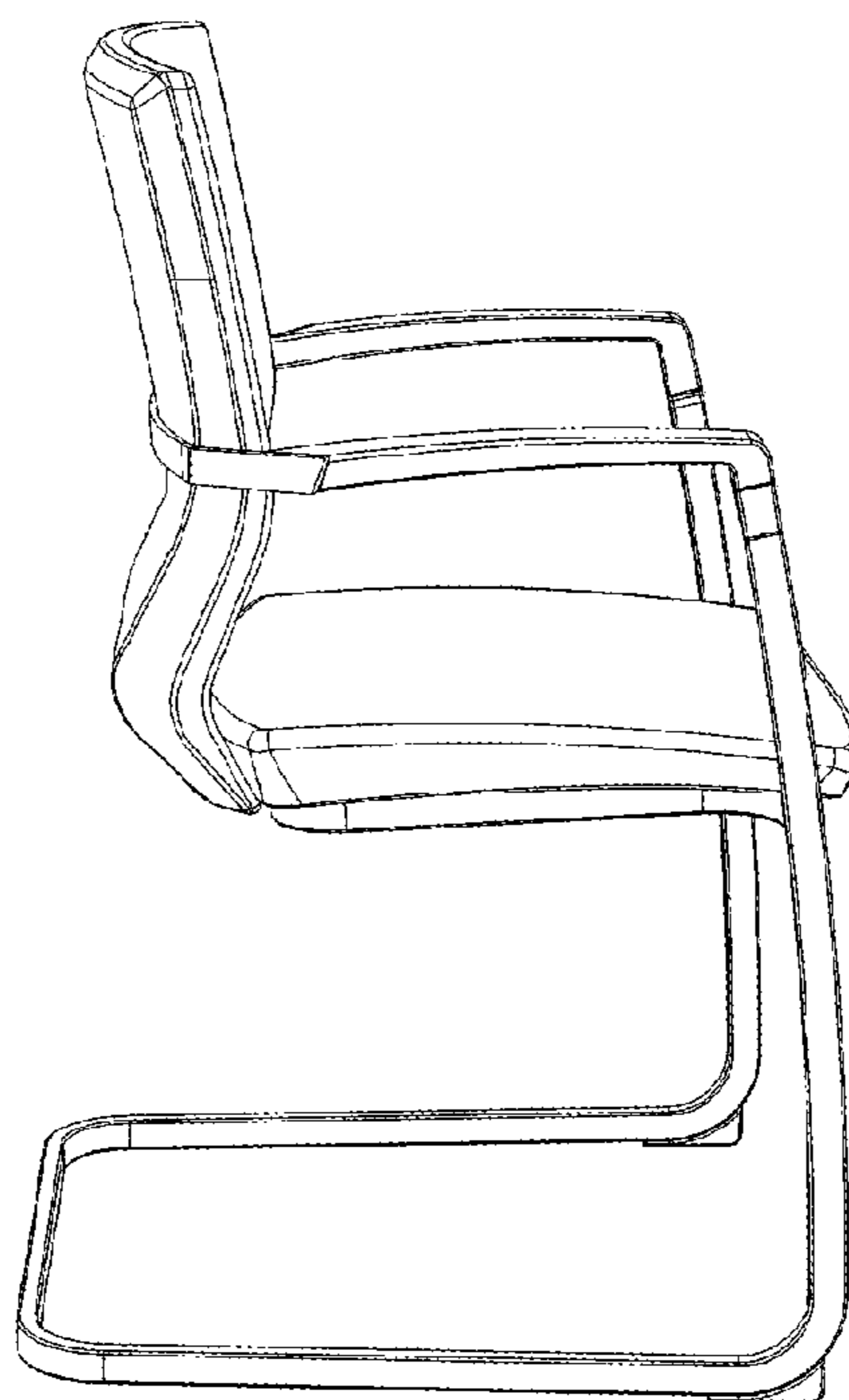


FIG. 6

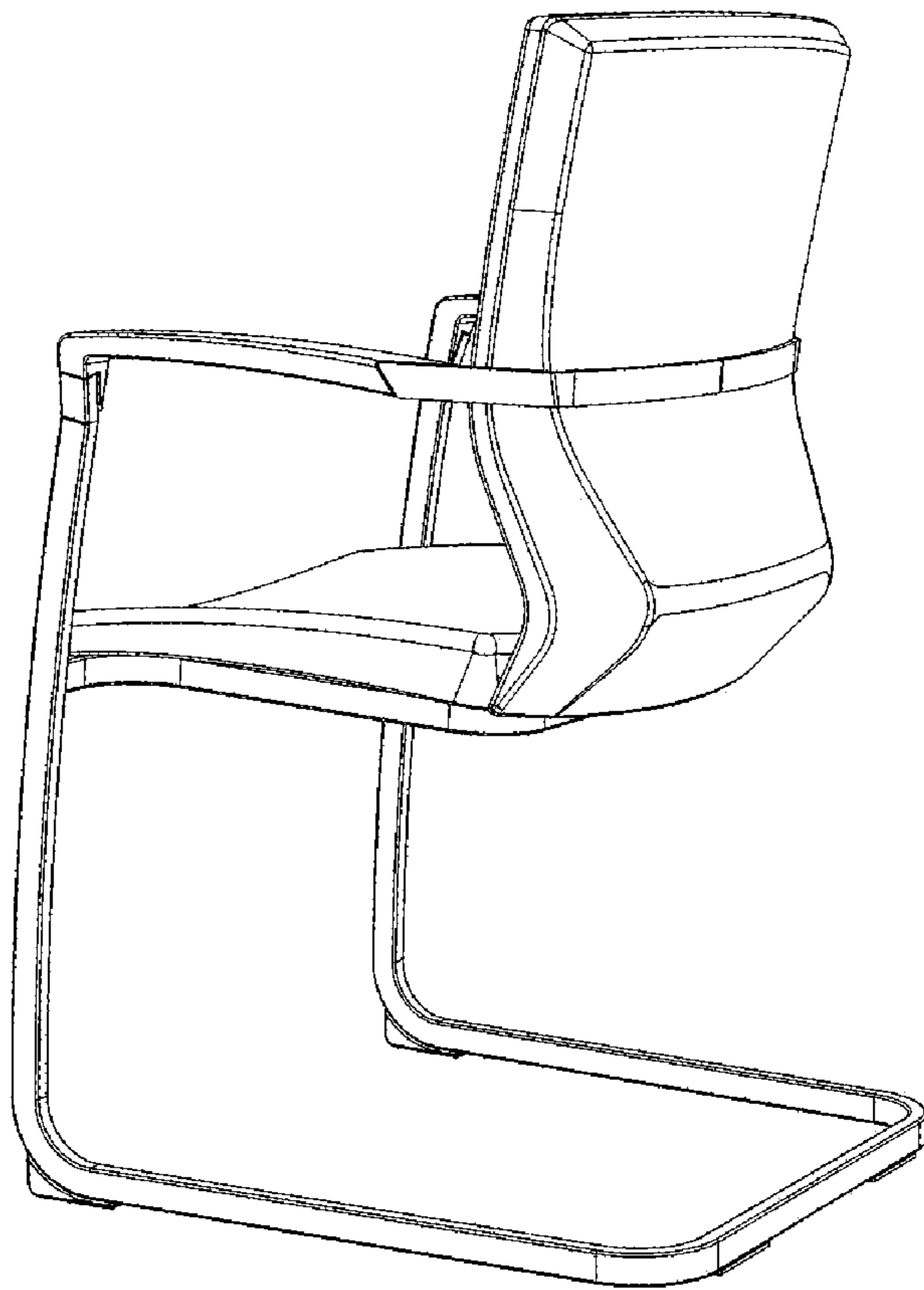


FIG. 7