

US00D651822S

(12) **United States Design Patent**  
**Massaud**

(10) **Patent No.:** **US D651,822 S**  
(45) **Date of Patent:** **\*\* Jan. 10, 2012**

(54) **CHAIR**

(75) Inventor: **Jean Marie Massaud**, Paris (FR)

(73) Assignee: **Dedon GmbH** (DE)

(\*\*) Term: **14 Years**

(21) Appl. No.: **29/389,727**

(22) Filed: **Apr. 15, 2011**

(51) **LOC (9) Cl.** ..... **06-01**

(52) **U.S. Cl.** ..... **D6/368**

(58) **Field of Classification Search** ..... D6/334-336,  
D6/367, 368, 374, 375, 379, 380, 500-502;  
297/16.1, 16.2, 45, 46, 55-57, 184.1, 184.14,  
297/184.15, 440.11, 452.12, 452.13  
See application file for complete search history.

(56) **References Cited**

**U.S. PATENT DOCUMENTS**

D286,710 S \* 11/1986 Gasser ..... D6/368  
D386,321 S \* 11/1997 Vanderminden ..... D6/368

D459,602 S \* 7/2002 Kreiss ..... D6/368  
D464,820 S \* 10/2002 Kreiss ..... D6/368  
D514,834 S \* 2/2006 O'Hare ..... D6/368  
D542,552 S \* 5/2007 Massaud ..... D6/374  
D569,120 S \* 5/2008 Camp et al. .... D6/368  
D572,925 S \* 7/2008 Carrere ..... D6/368  
D609,484 S \* 2/2010 Satoshi ..... D6/368

\* cited by examiner

*Primary Examiner* — Brian N Vinson

(74) *Attorney, Agent, or Firm* — C. Brandon Browning;  
Maynard, Cooper & Gale, PC

(57) **CLAIM**

The ornamental design for a chair, as shown and described.

**DESCRIPTION**

FIG. 1 is a front perspective view of a chair in accordance with the present invention.

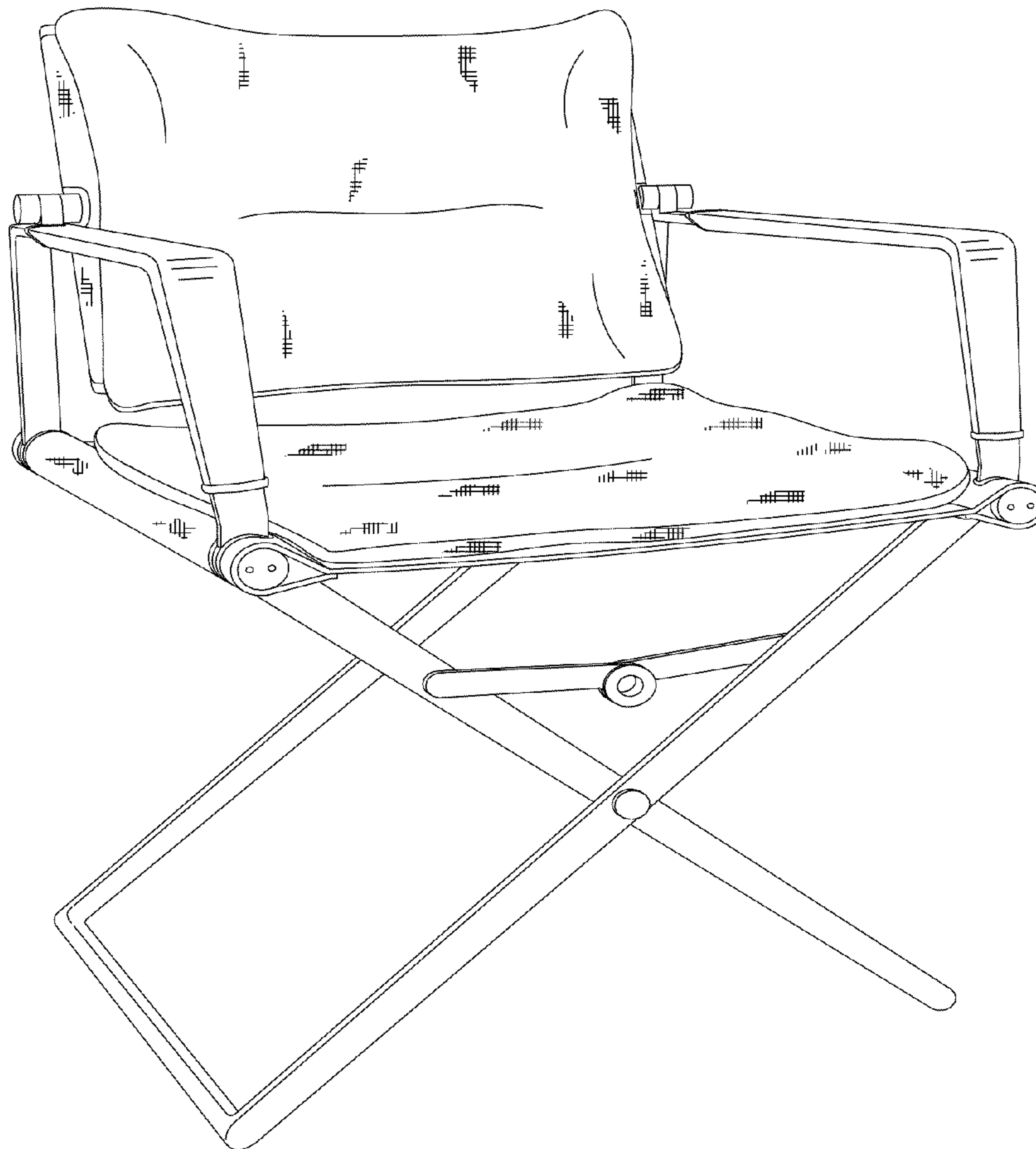
FIG. 2 is a side elevational view of the chair of FIG. 1.

FIG. 3 is a front elevational view of the chair of FIG. 1.

FIG. 4 is a rear elevational view of the chair of FIG. 1; and,

FIG. 5 is a top plan view of the chair of FIG. 1.

**1 Claim, 5 Drawing Sheets**



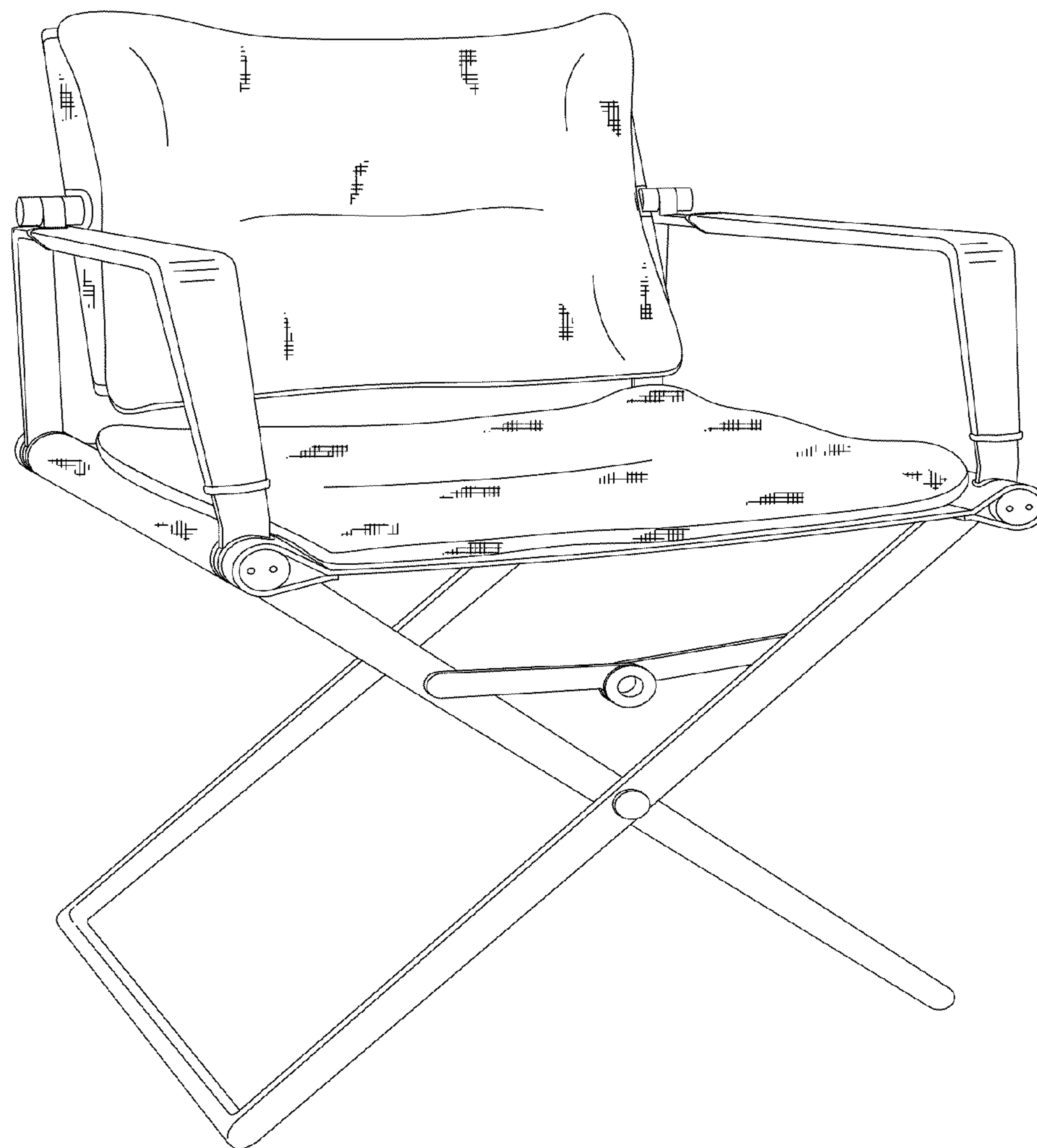


FIG. 1

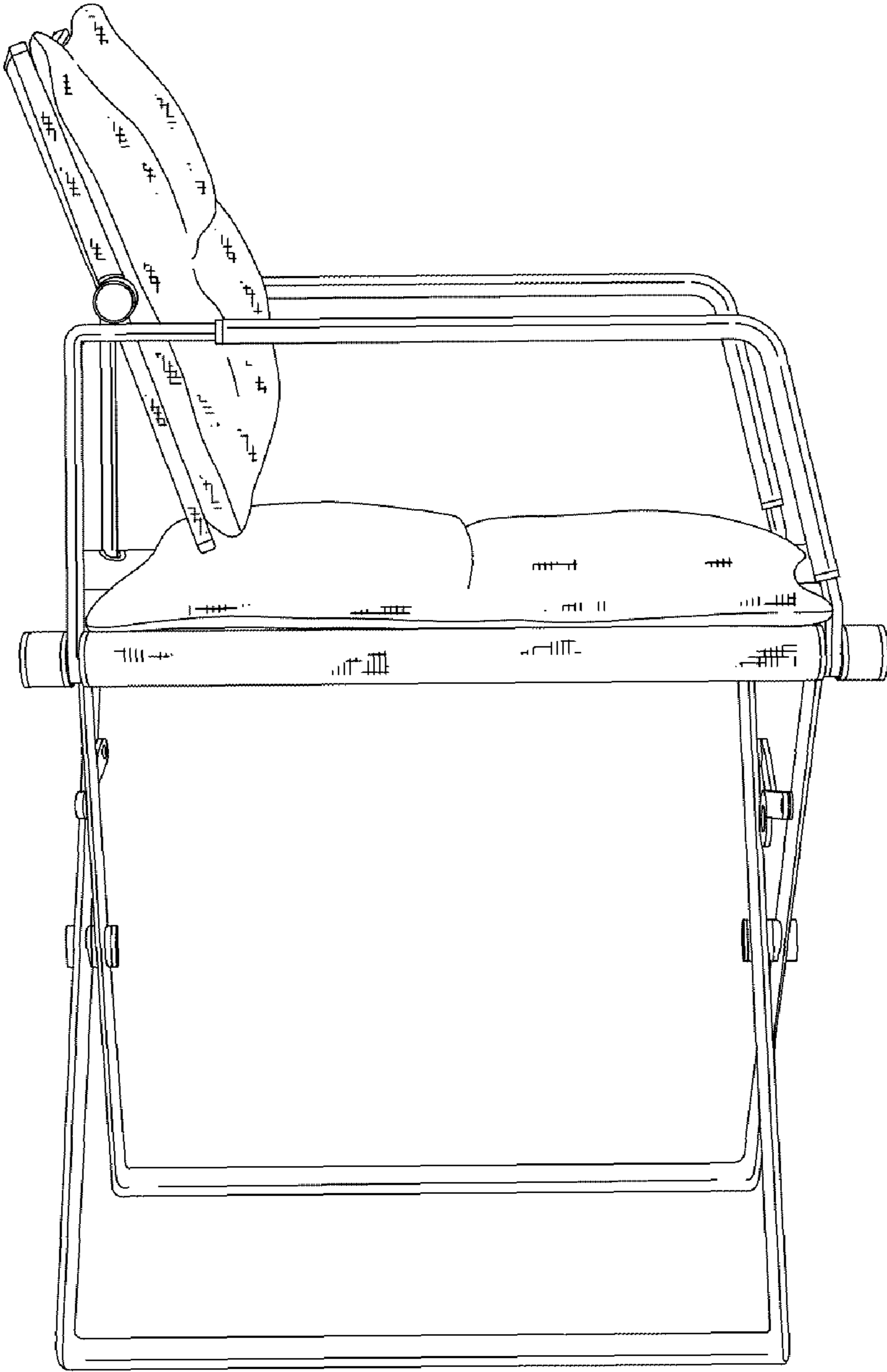


FIG. 2

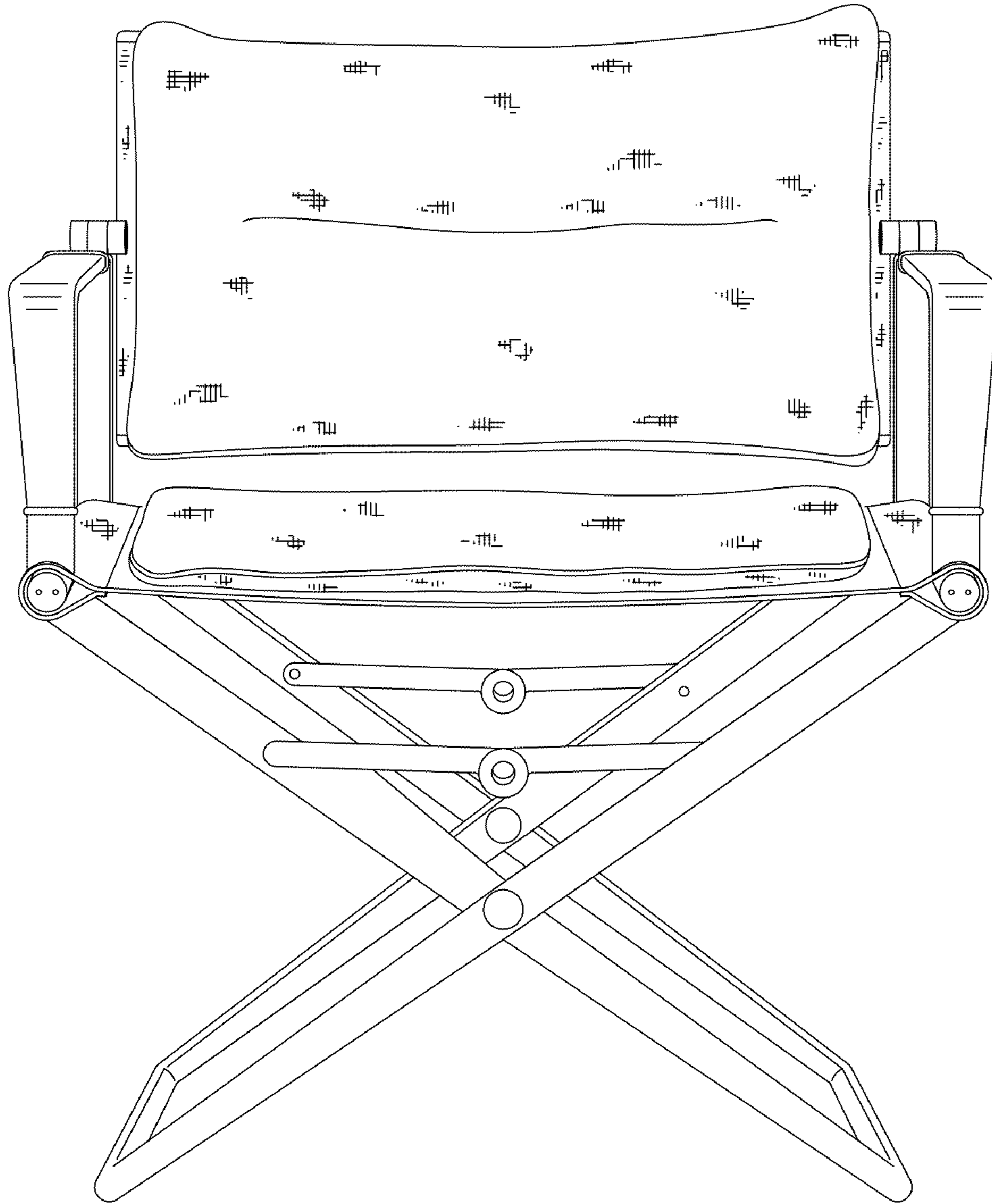


FIG. 3

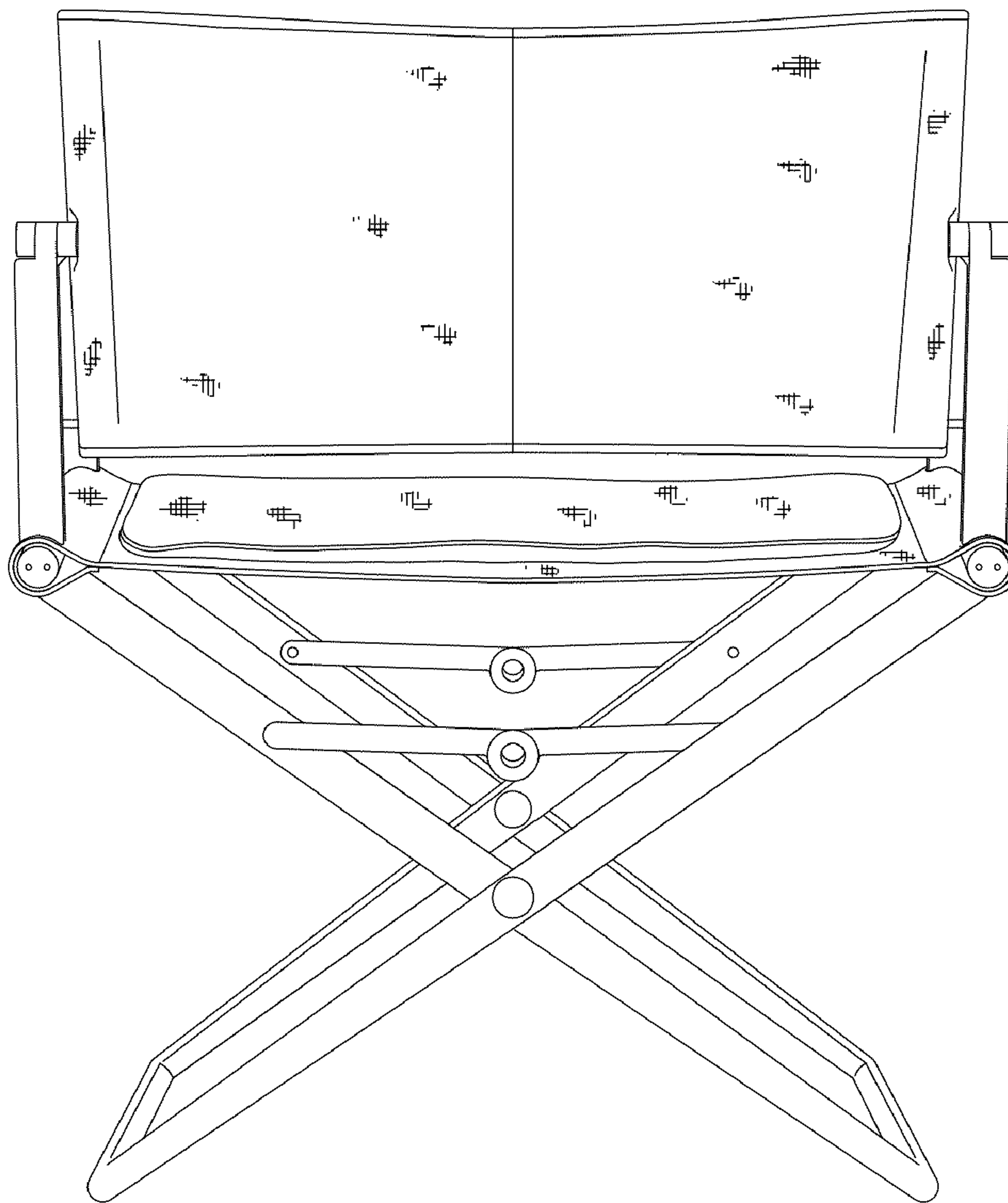


FIG. 4

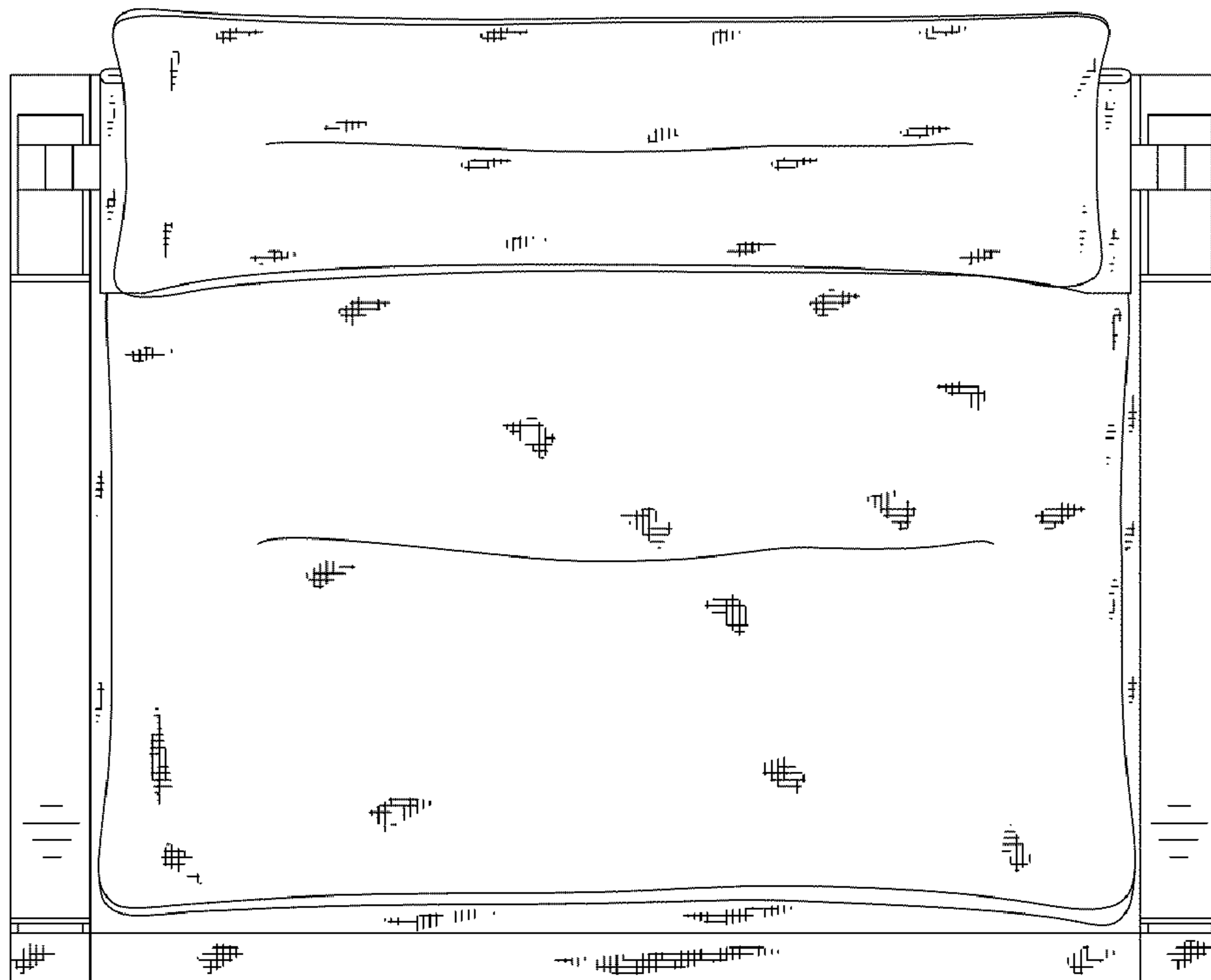


FIG. 5