



US00D651821S

(12) **United States Design Patent**
Freed

(10) **Patent No.:** **US D651,821 S**
(45) **Date of Patent:** **** Jan. 10, 2012**

(54) **CHAIR**

(76) Inventor: **Michael Freed**, Salt Lake City, UT (US)

(**) Term: **14 Years**

(21) Appl. No.: **29/361,956**

(22) Filed: **May 18, 2010**

(51) **LOC (9) Cl.** **06-01**

(52) **U.S. Cl.** **D6/368**

(58) **Field of Classification Search** D6/334-336,
D6/338, 374-375, 379, 500-502; 108/162;
248/174; 297/16.1, 440.12, 440.13, 445.1,
297/446.1

See application file for complete search history.

(56) **References Cited**

U.S. PATENT DOCUMENTS

4,025,106	A	5/1977	Kyle	
4,593,950	A	6/1986	Infanti	
5,275,467	A	1/1994	Kawecki	
D447,354	S *	9/2001	Bluberg	D6/368
D522,264	S *	6/2006	Dekker et al.	D6/368
D571,571	S *	6/2008	Stewart-Stand	D6/368
D584,067	S	1/2009	Koukios	

OTHER PUBLICATIONS

Rietveld Chair (1917) cited in Poul webb blog Jun. 2010.*

* cited by examiner

Primary Examiner — Brian N Vinson

(74) *Attorney, Agent, or Firm* — Thorpe North & Western LLP

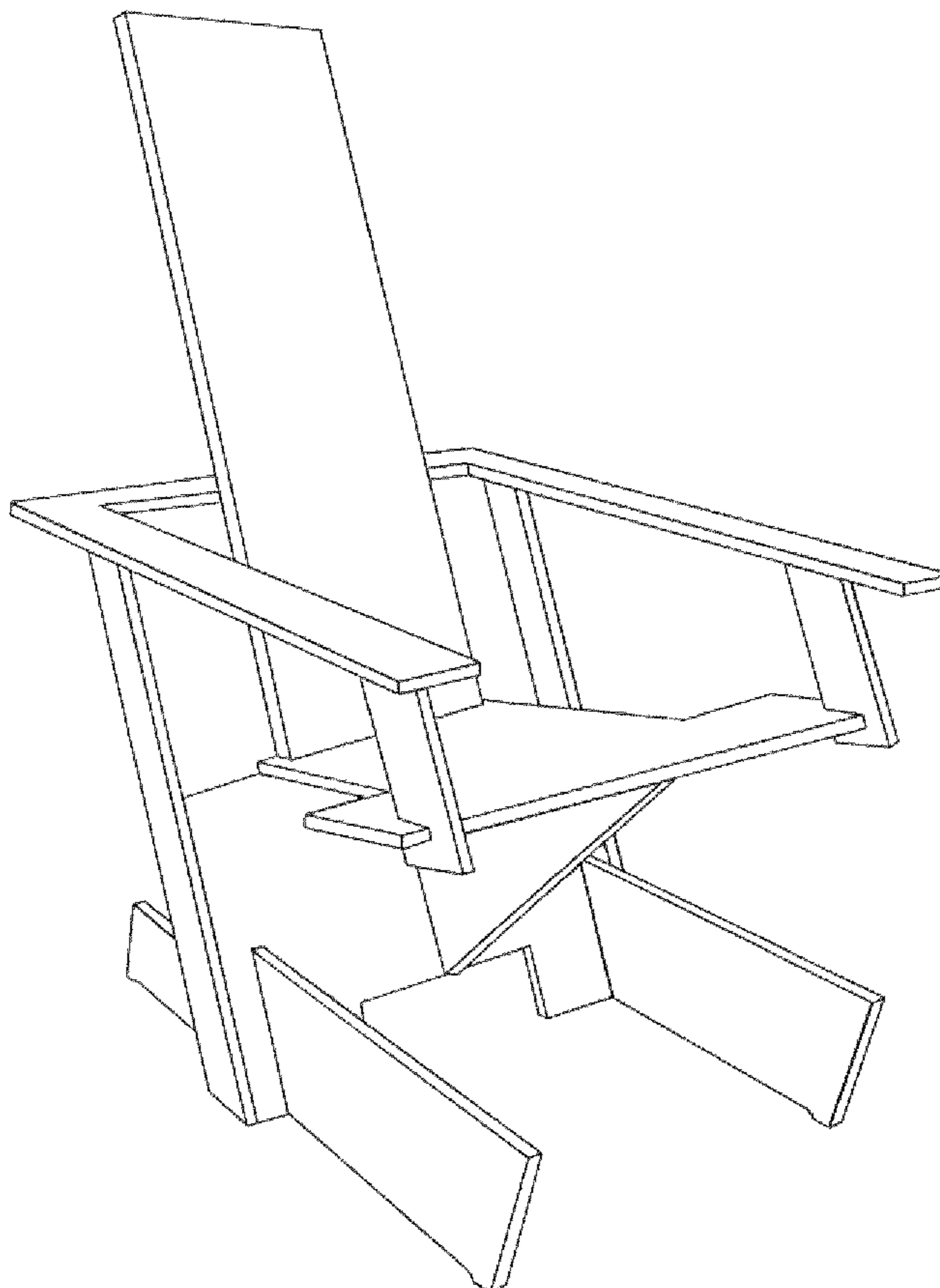
(57) **CLAIM**

The ornamental design for the chair, as shown and described herein.

DESCRIPTION

FIG. 1 is perspective front view of the chair in accordance with my invention;
FIG. 2 is a perspective rear view thereof;
FIG. 3 is a side view thereof, the opposite side being a mirror image thereof;
FIG. 4 is a front view thereof;
FIG. 5 is a rear view thereof;
FIG. 6 is a top view thereof; and,
FIG. 7 is a bottom view thereof.

1 Claim, 5 Drawing Sheets



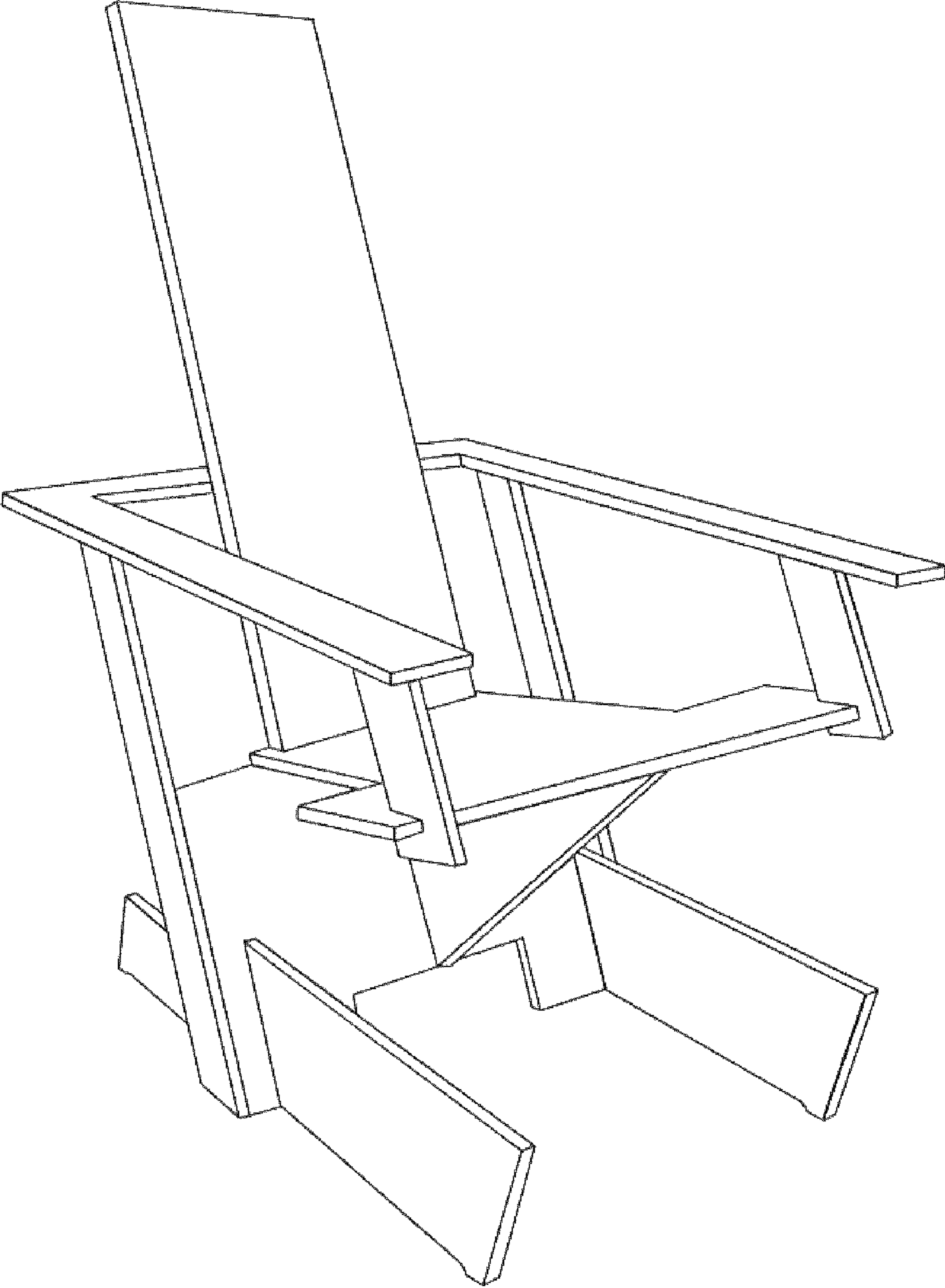


FIG. 1

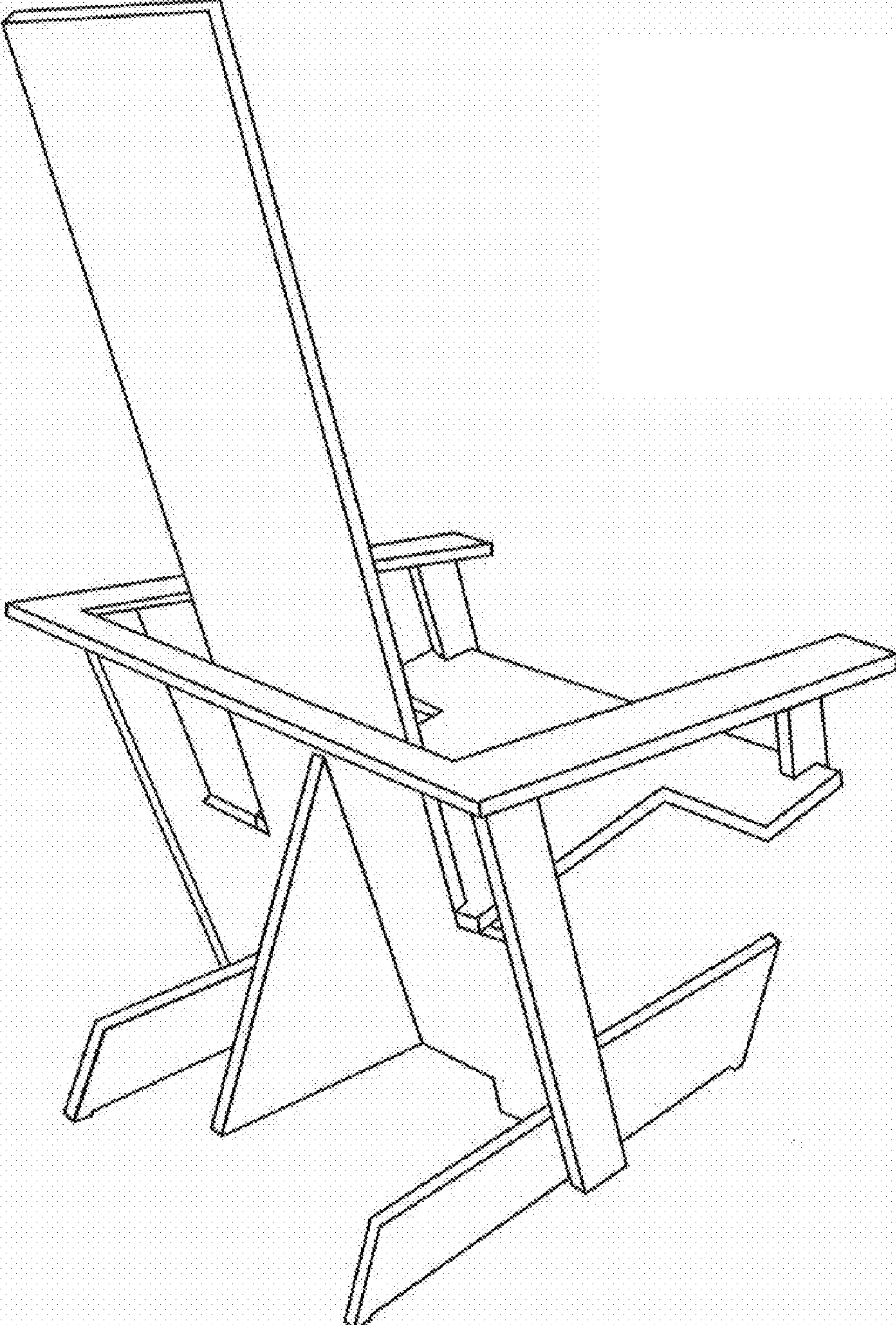


FIG. 2

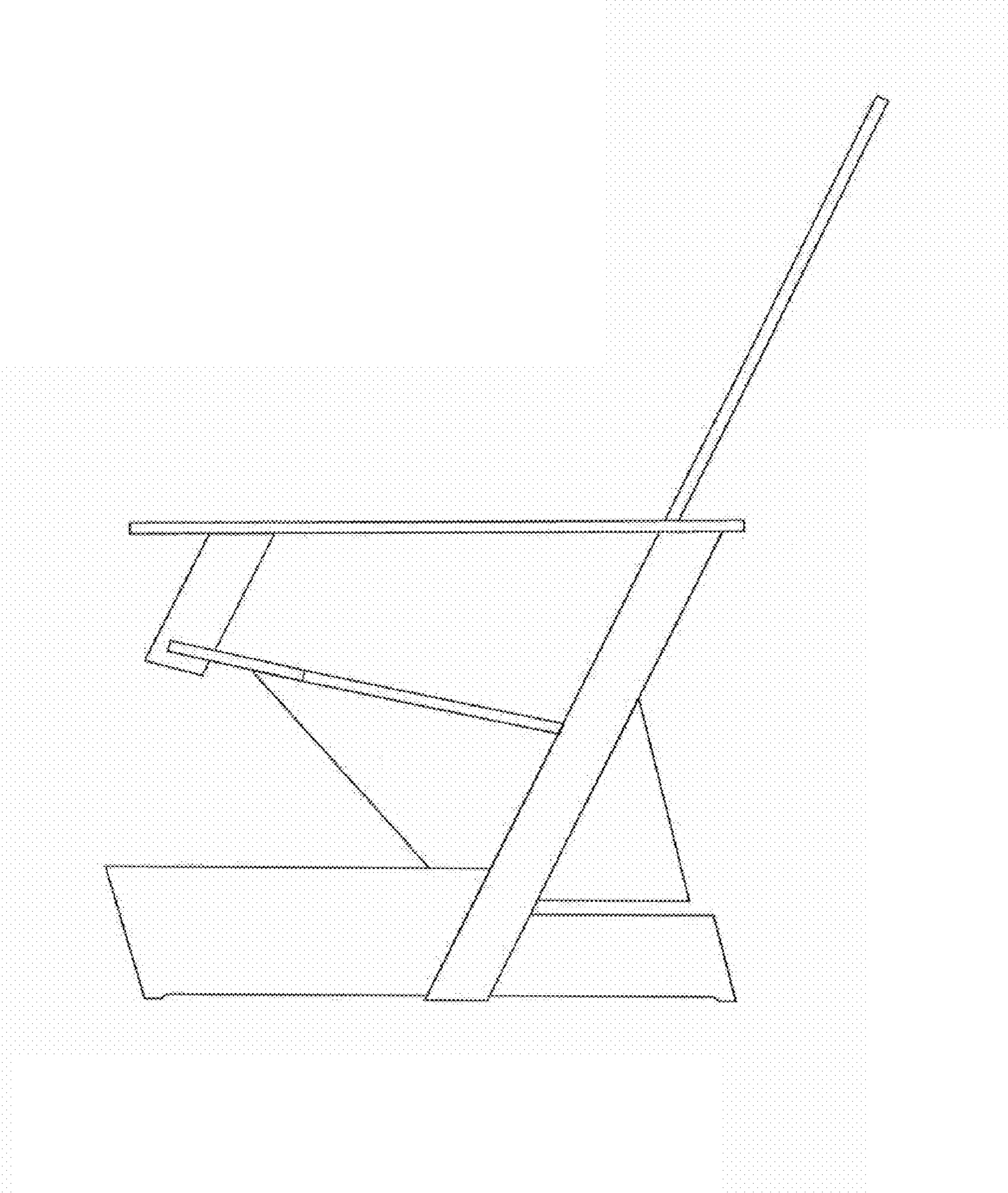


FIG. 3

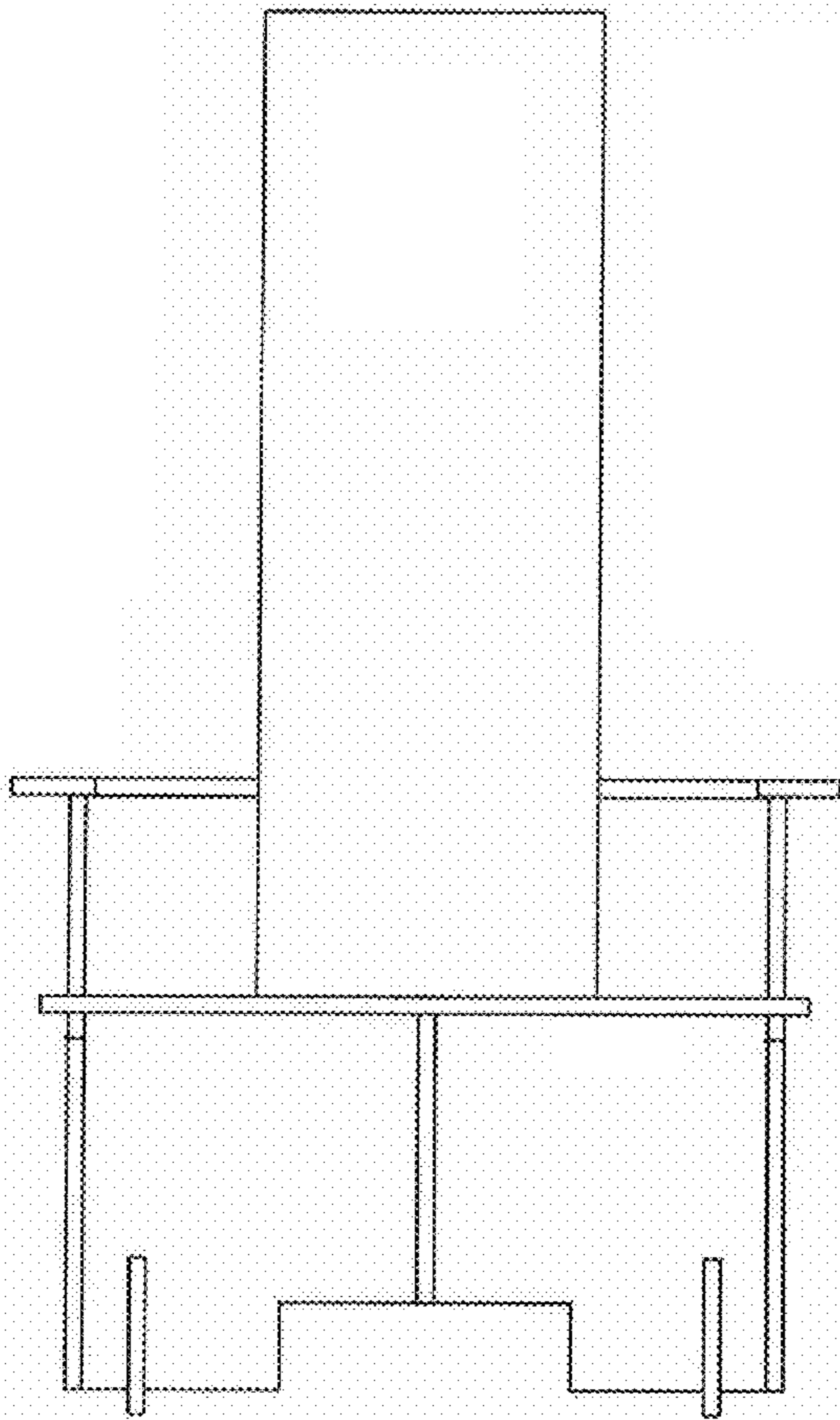


FIG. 4

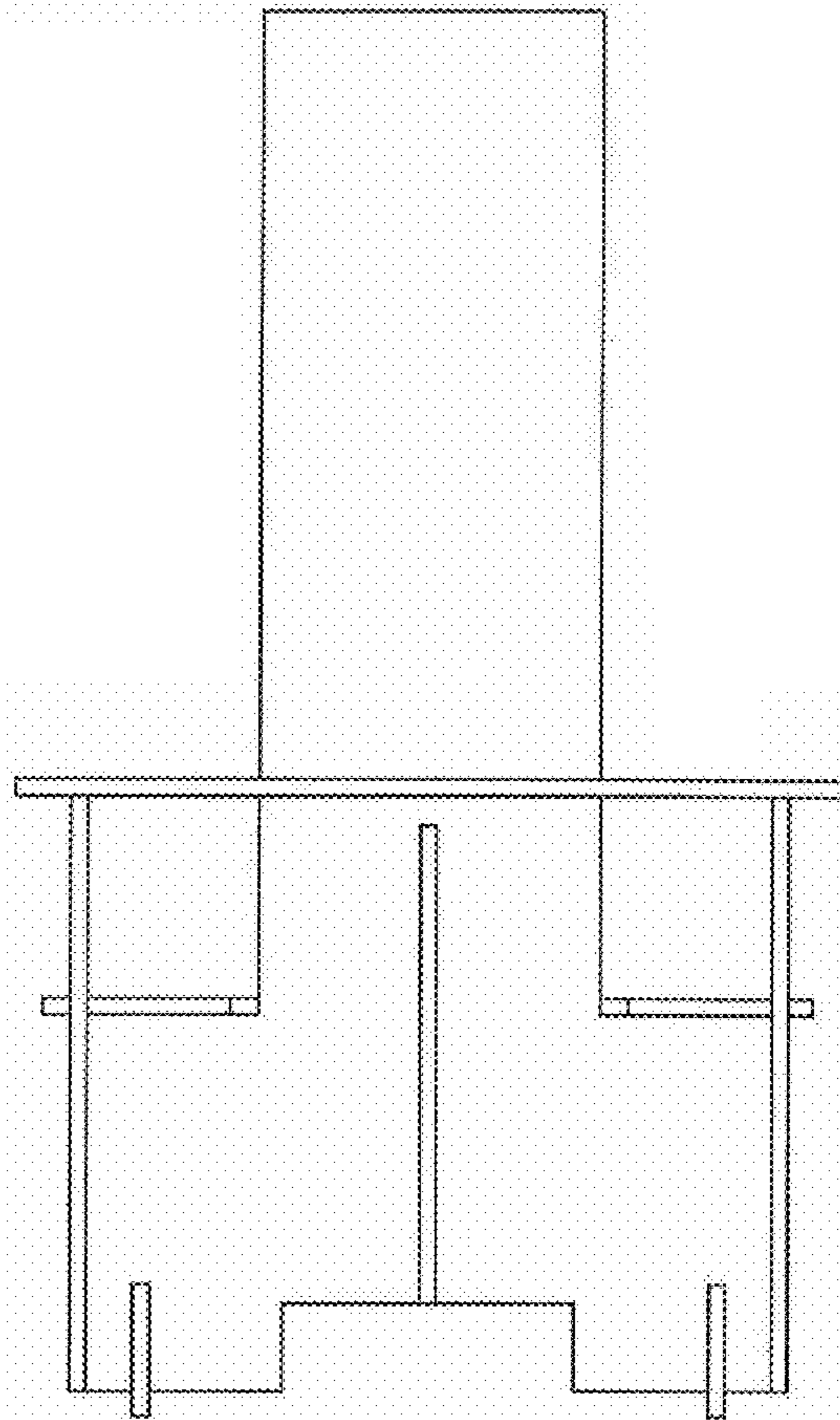


FIG. 5

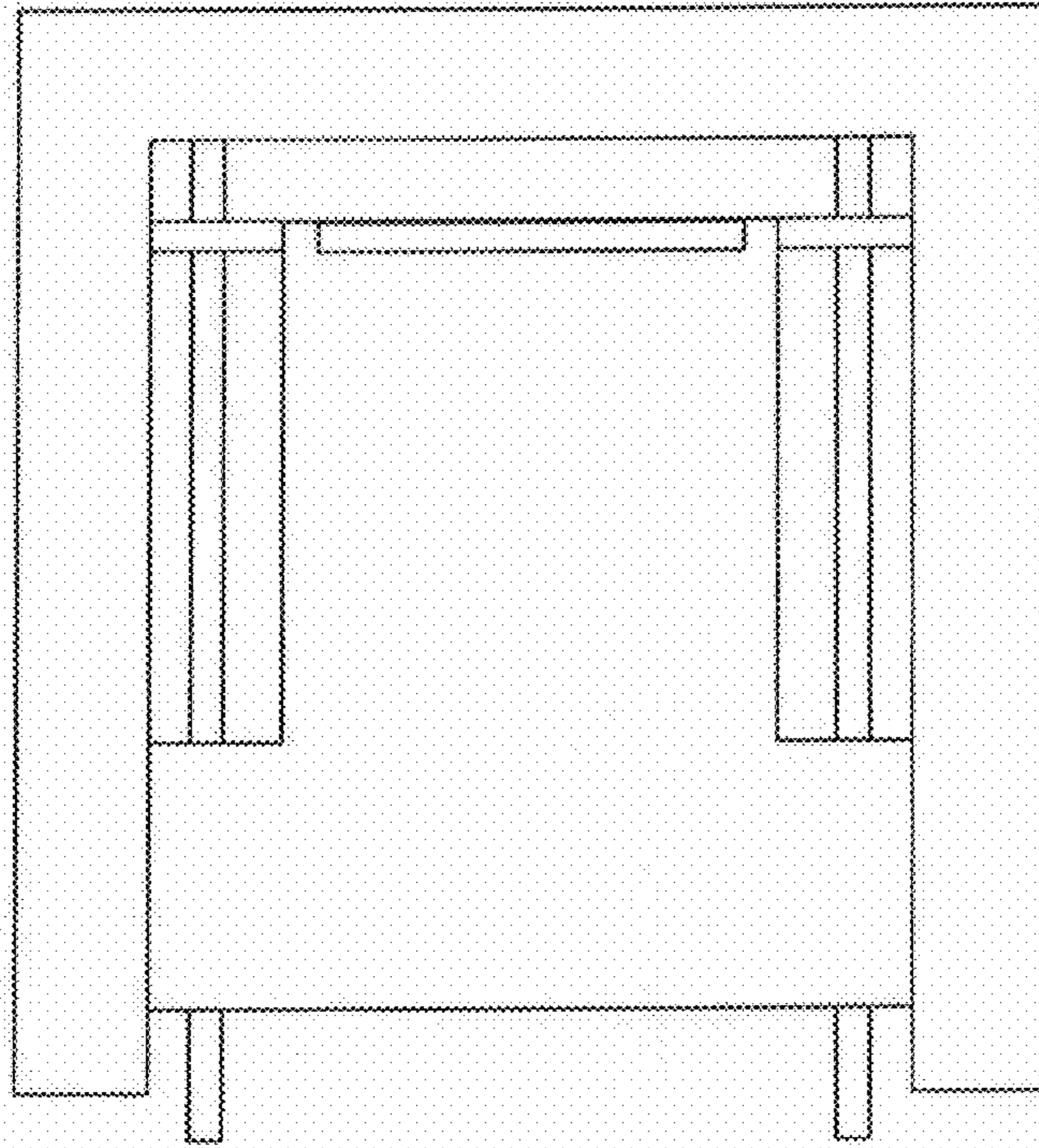


FIG. 6

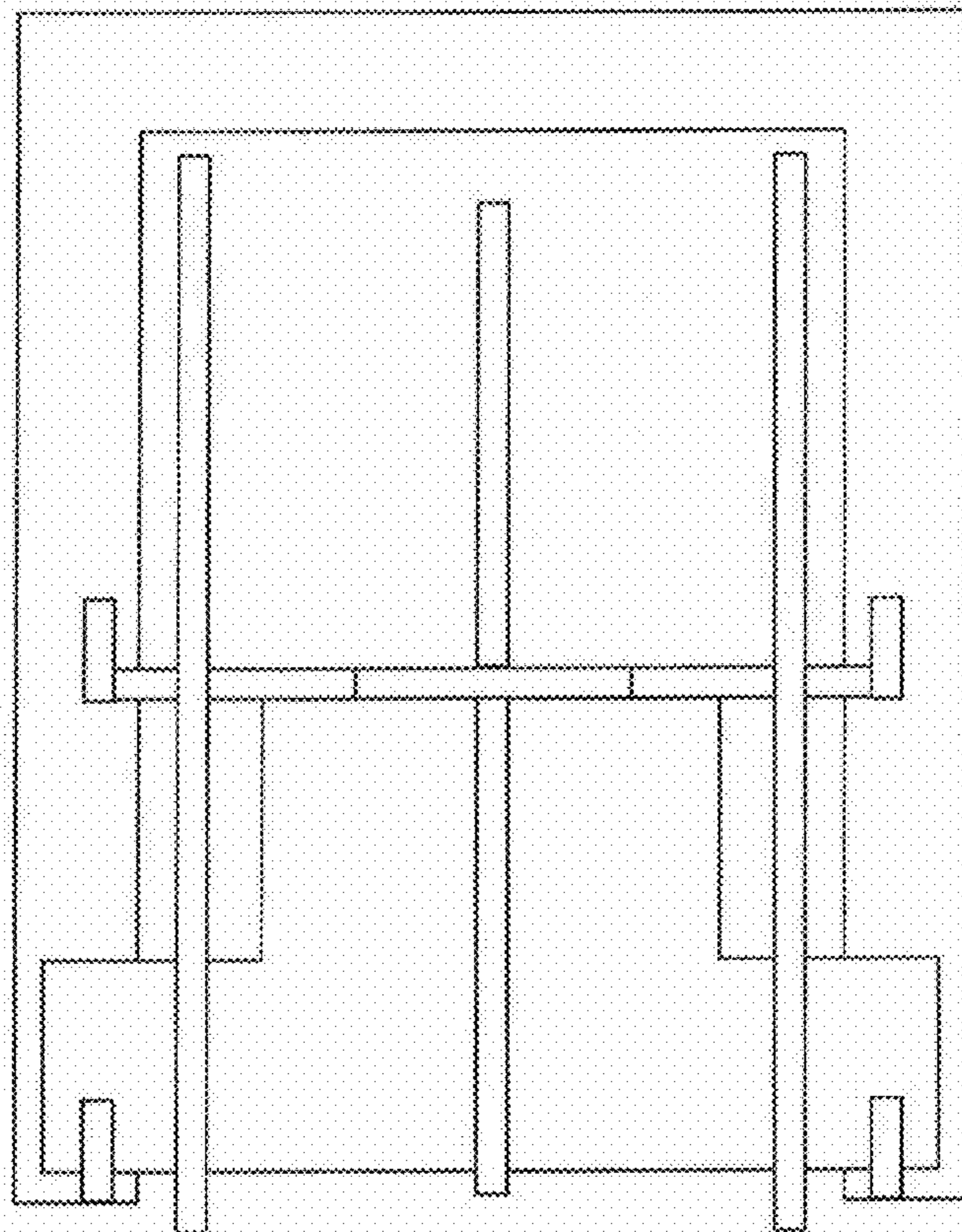


FIG. 7