



US00D651820S

(12) **United States Design Patent**
Brown

(10) **Patent No.:** **US D651,820 S**
(45) **Date of Patent:** **** Jan. 10, 2012**

(54) **TAILGATE BENCH**
(76) Inventor: **James R. Brown**, Artesia, NM (US)
(**) Term: **14 Years**
(21) Appl. No.: **29/343,169**
(22) Filed: **Sep. 9, 2009**
(51) **LOC (9) Cl.** **06-01**
(52) **U.S. Cl.** **D6/362**
(58) **Field of Classification Search** D6/310,
D6/334-336, 348-349, 355-381, 405, 464,
D6/500-502; 280/166; 296/26.08, 26.1,
296/26.11, 57.1, 57.5, 75; 297/271.6, 411.2,
297/411.27, 411.28, 445.1, 446.1, 452.13
See application file for complete search history.

6,739,643 B1 5/2004 Rock
6,824,186 B2 11/2004 Brown
6,843,531 B2 1/2005 Williams
6,964,444 B2 11/2005 Chumley et al.
6,994,363 B2 * 2/2006 Seksaria et al. 280/166
7,007,965 B2 3/2006 Bernatsky et al.
7,021,689 B1 * 4/2006 Weisbeck, III 296/26.11
7,182,380 B2 * 2/2007 Nagle 296/26.11
D538,058 S * 3/2007 Van Es D6/405
D550,983 S * 9/2007 Van Es D6/464
D563,689 S * 3/2008 Skalka D6/381
7,566,085 B2 * 7/2009 Jaskolski 296/57.1
D615,765 S * 5/2010 Chan D6/381
D638,233 S * 5/2011 Perunovic D6/381
2002/0158497 A1 10/2002 Nivet et al.
2003/0075966 A1 4/2003 Behnert
2003/0127873 A1 * 7/2003 Reed 296/26.08
2004/0227368 A1 * 11/2004 Seksaria et al. 296/26.1
2005/0006921 A1 * 1/2005 Chumley et al. 296/75
2006/0021806 A1 2/2006 Goertzen et al.
2006/0097562 A1 5/2006 Hiruta et al.
2006/0278648 A1 12/2006 Ward et al.

(56) **References Cited**

U.S. PATENT DOCUMENTS

3,008,765 A 11/1961 Tischler et al.
3,826,434 A 7/1974 Von Beckh
3,882,949 A 5/1975 Anderson
4,974,905 A 12/1990 Davis
5,000,504 A 3/1991 Munguia
5,215,346 A 6/1993 Reitzloff et al.
5,549,312 A 8/1996 Garvert
5,628,547 A 5/1997 Matsumiya
5,634,650 A 6/1997 Hensler et al.
5,788,311 A 8/1998 Tibbals
5,971,464 A 10/1999 Davis et al.
5,975,610 A 11/1999 Tracy
5,997,066 A * 12/1999 Scott 296/26.08
6,116,676 A 9/2000 Edwards
6,154,690 A 11/2000 Coleman
6,203,108 B1 3/2001 Mattison
6,237,981 B1 5/2001 Selleck
6,273,504 B1 8/2001 Pace et al.
6,341,657 B1 1/2002 Hopely et al.
6,352,307 B1 3/2002 Engman
6,364,391 B1 4/2002 Everett
6,631,938 B1 10/2003 Burns

(Continued)

Primary Examiner — Ricky Pham

(74) *Attorney, Agent, or Firm* — Samantha A. Updegraff;
Janeen Vilven; Peacock Myers, P.C.

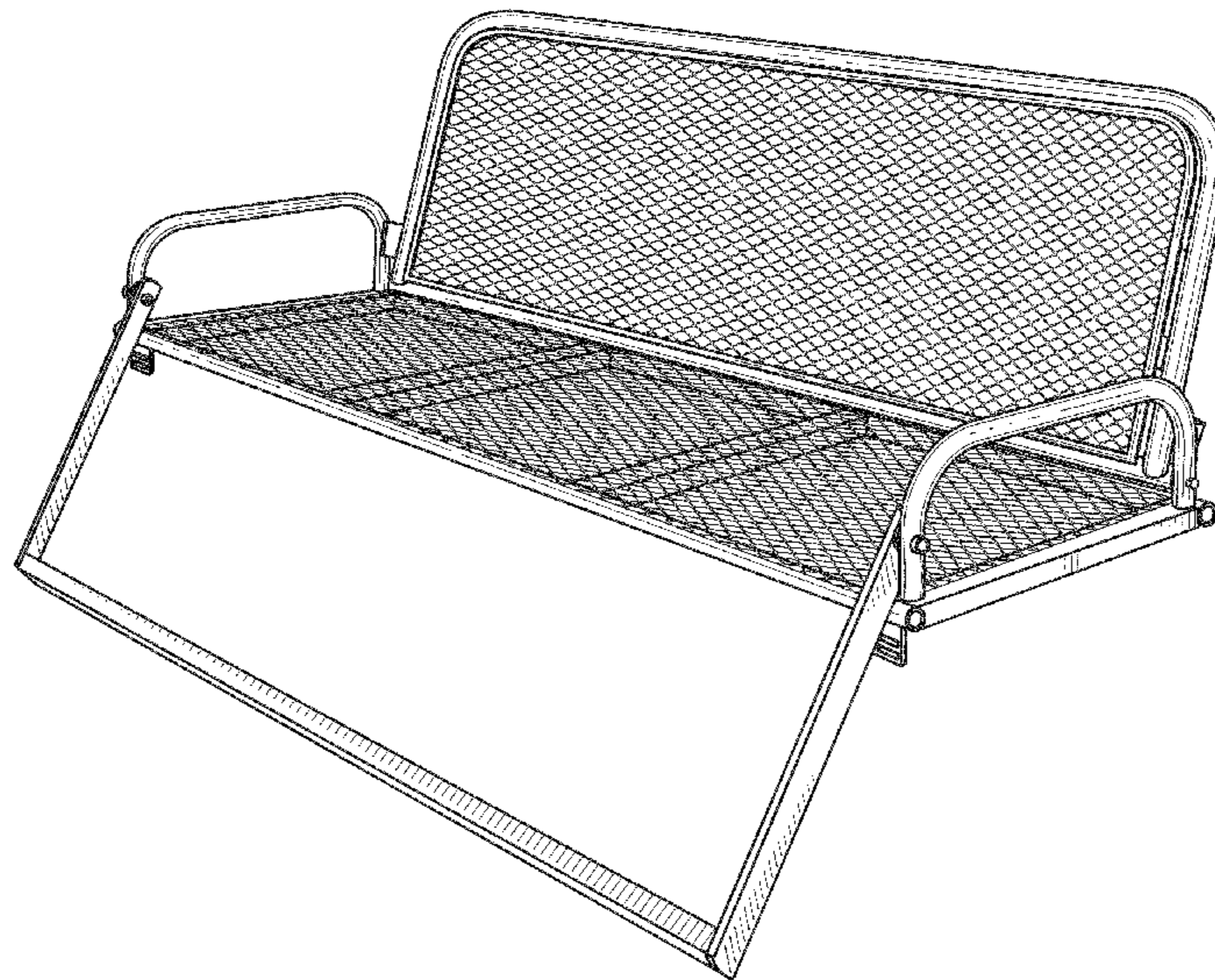
(57) **CLAIM**

The ornamental design for the tailgate bench, as shown and described.

DESCRIPTION

FIG. 1 is a perspective view of the claimed design;
FIG. 2 is a front view of the claimed design;
FIG. 3 is a back view of the claimed design;
FIG. 4 is a right side view of the claimed design;
FIG. 5 is a left side view of the claimed design;
FIG. 6 is a top view of the claimed design; and,
FIG. 7 is a bottom view of the claimed design.

1 Claim, 4 Drawing Sheets



US D651,820 S

Page 2

U.S. PATENT DOCUMENTS

2007/0007789 A1 1/2007 Bowden et al.
2008/0111364 A1 5/2008 Ninio et al.

2008/0211270 A1 9/2008 Hu et al.
2009/0224496 A1 9/2009 Watts

* cited by examiner

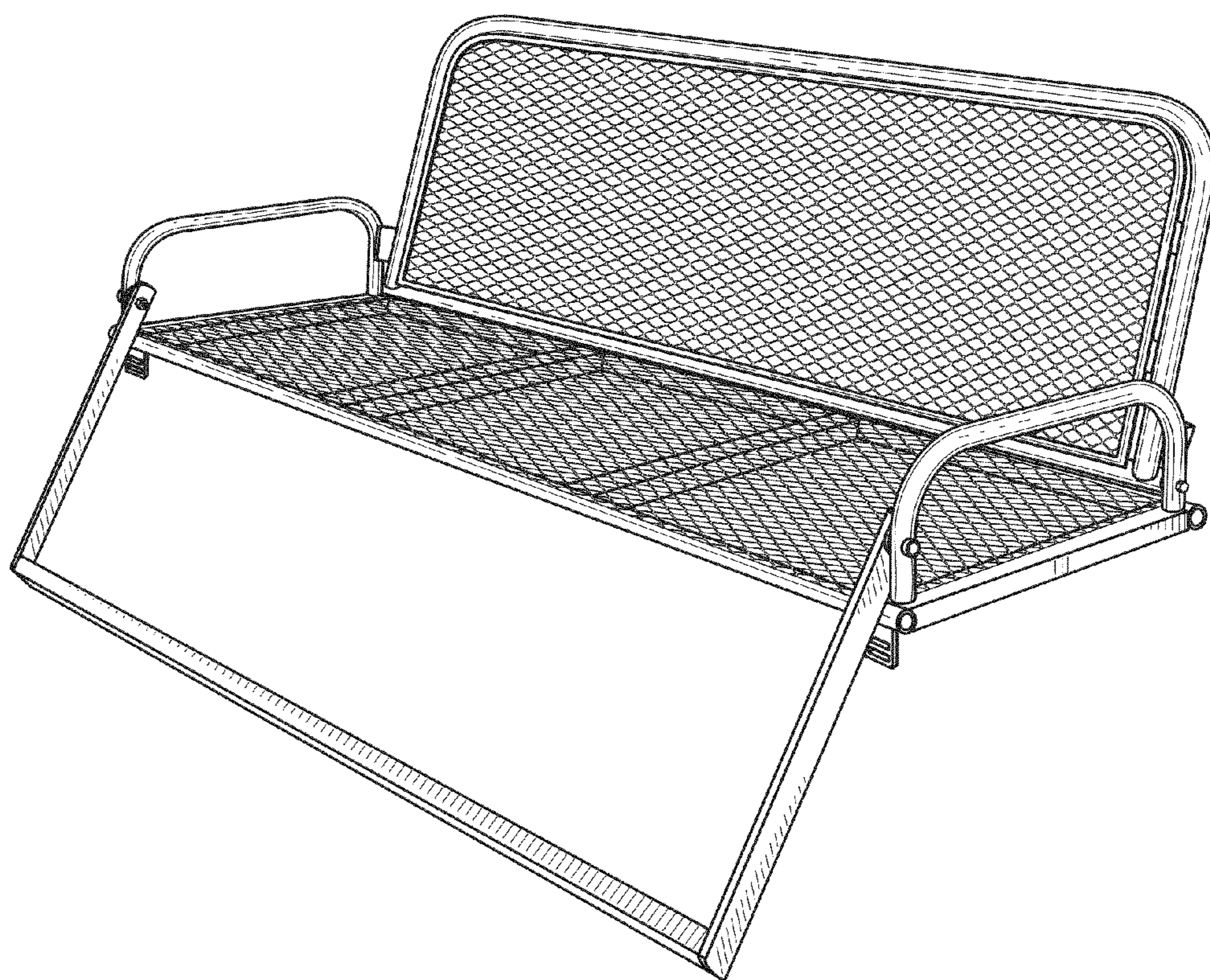


FIG. 1

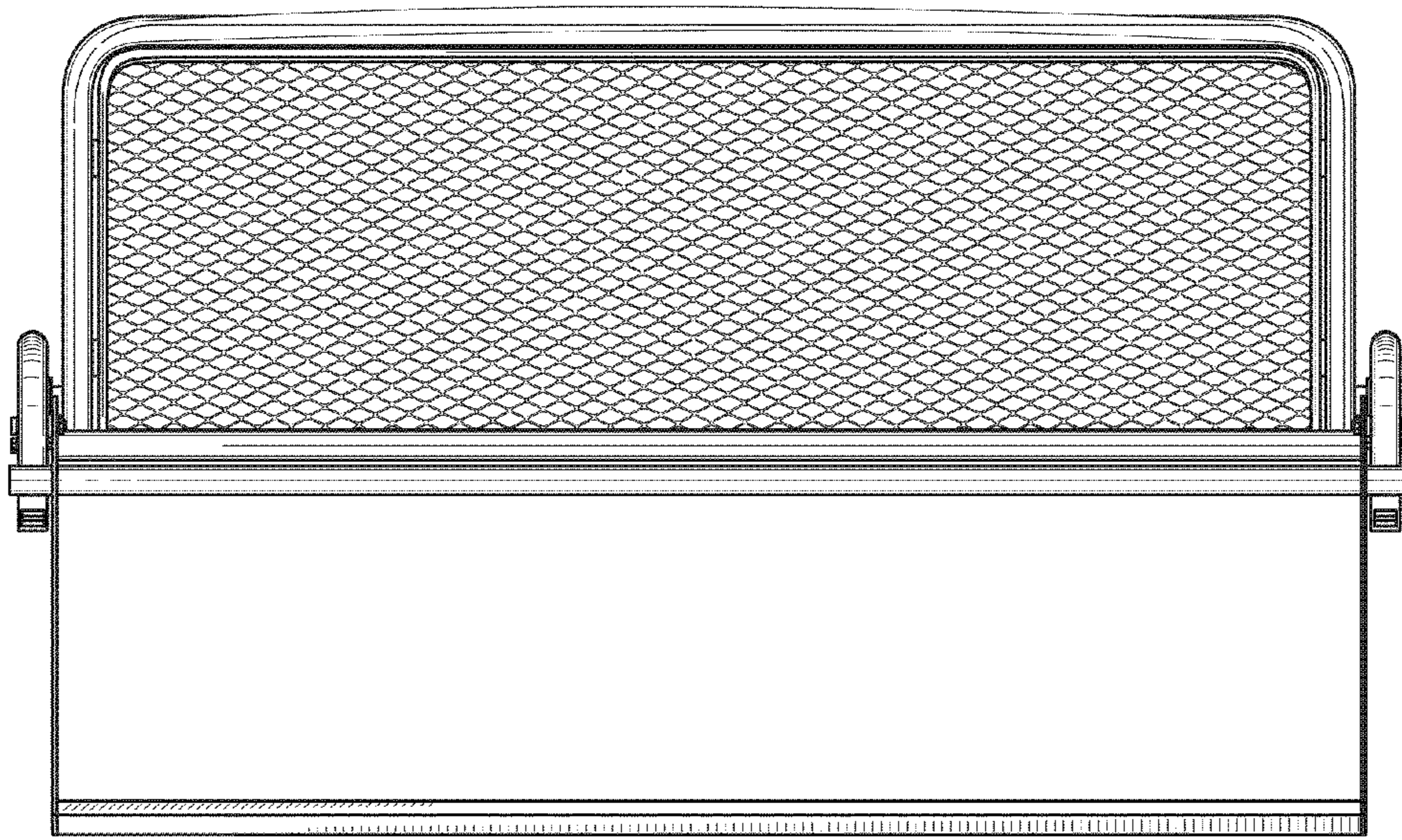


FIG. 2

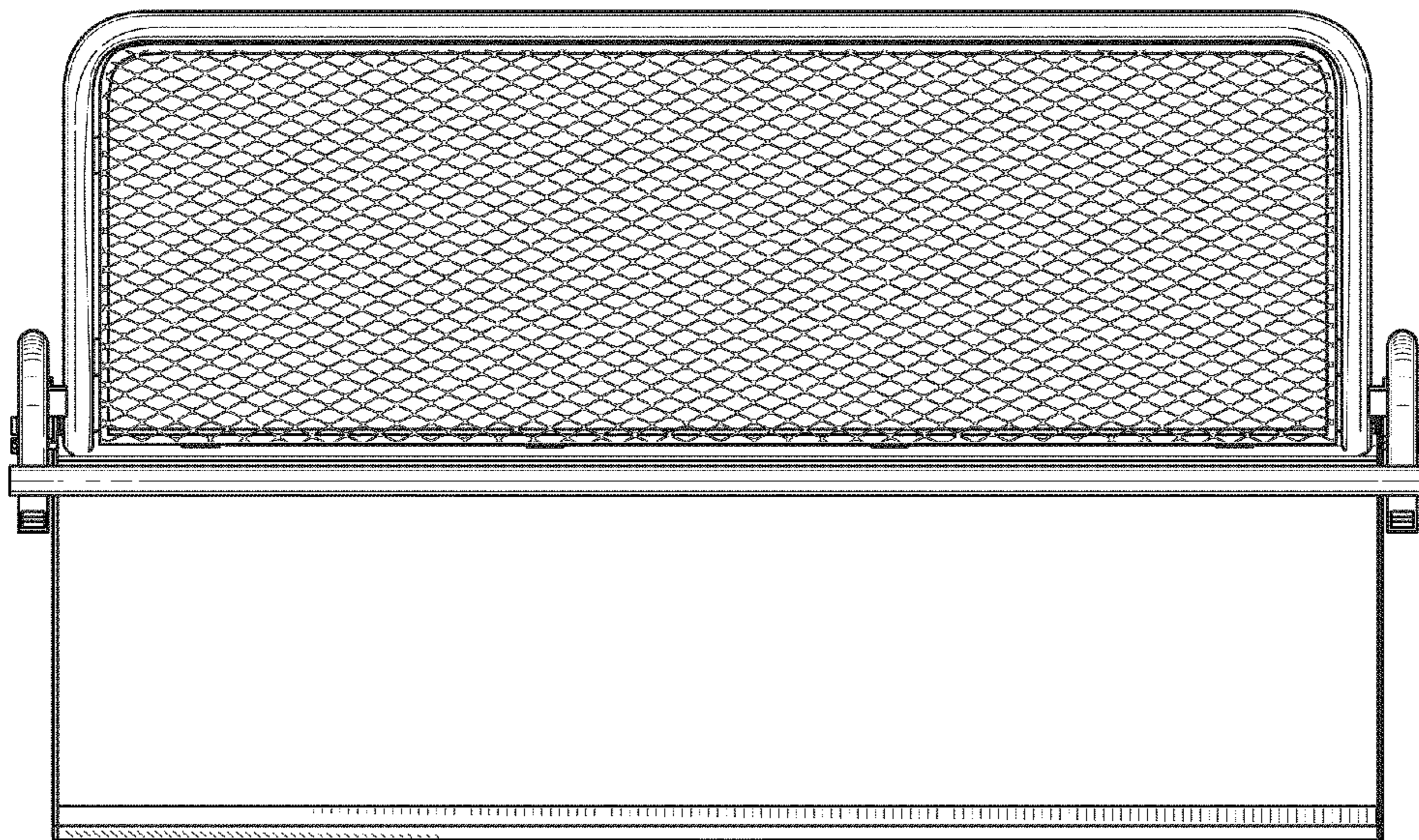


FIG. 3

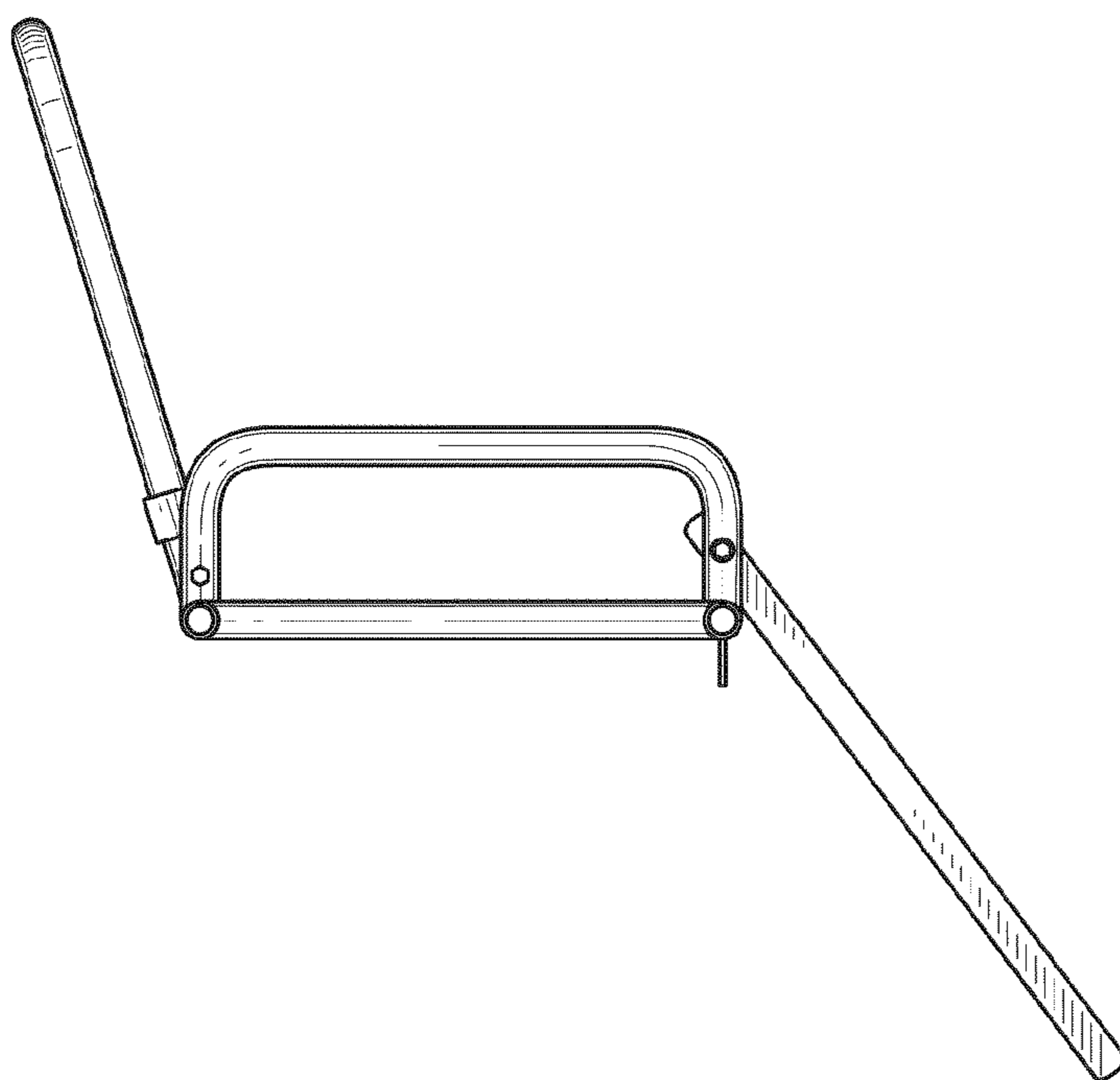


FIG. 4

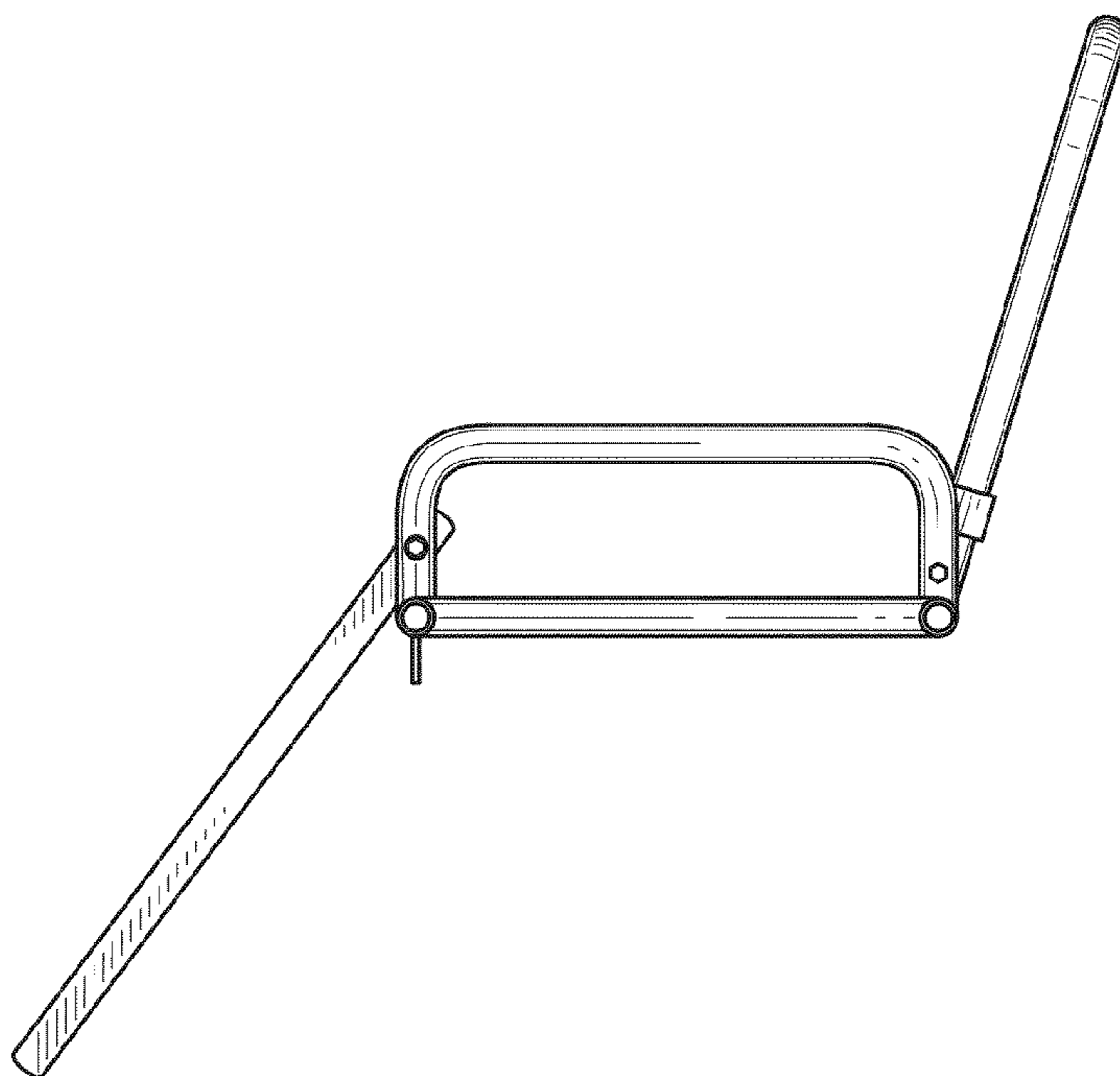


FIG. 5

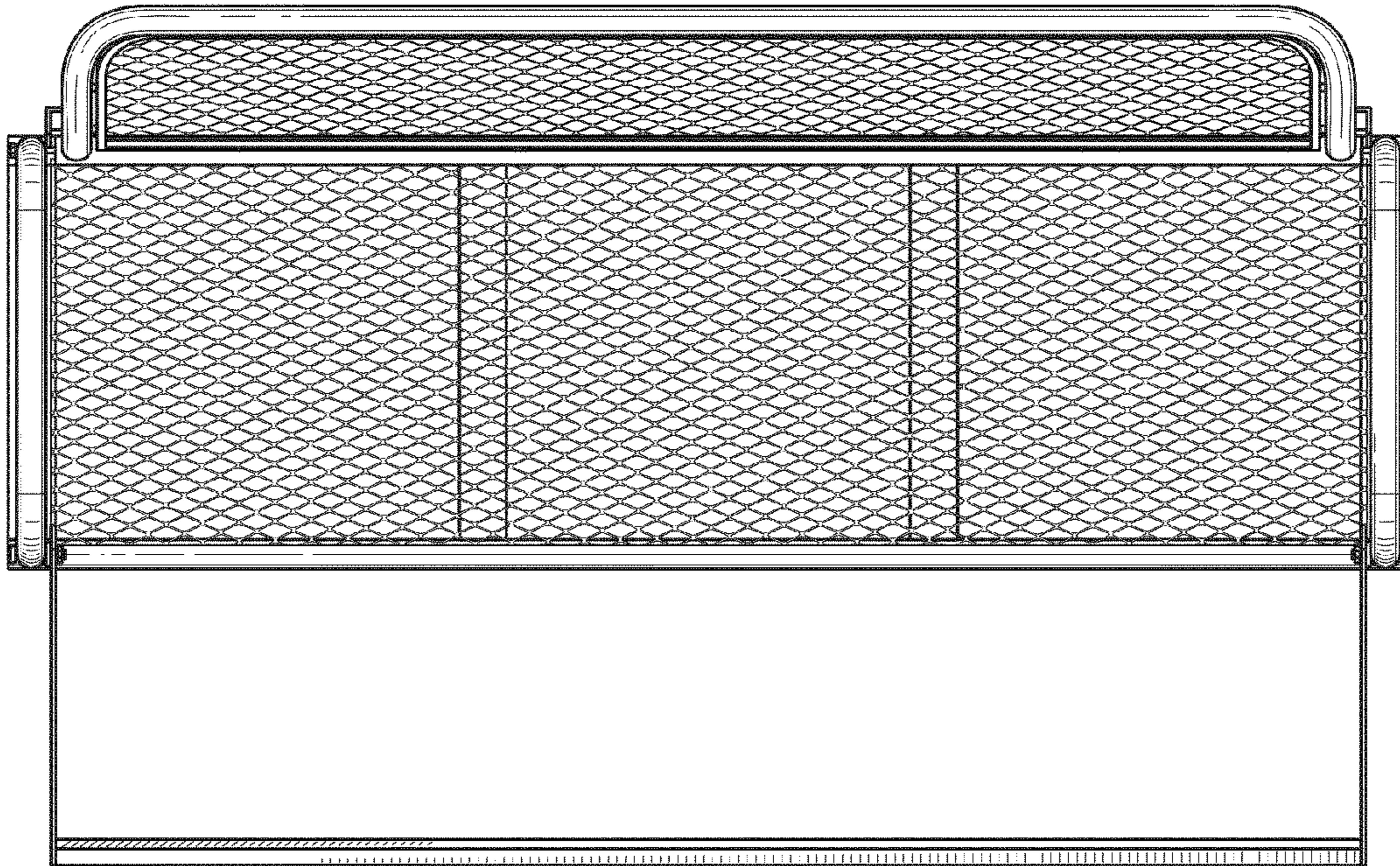


FIG. 6

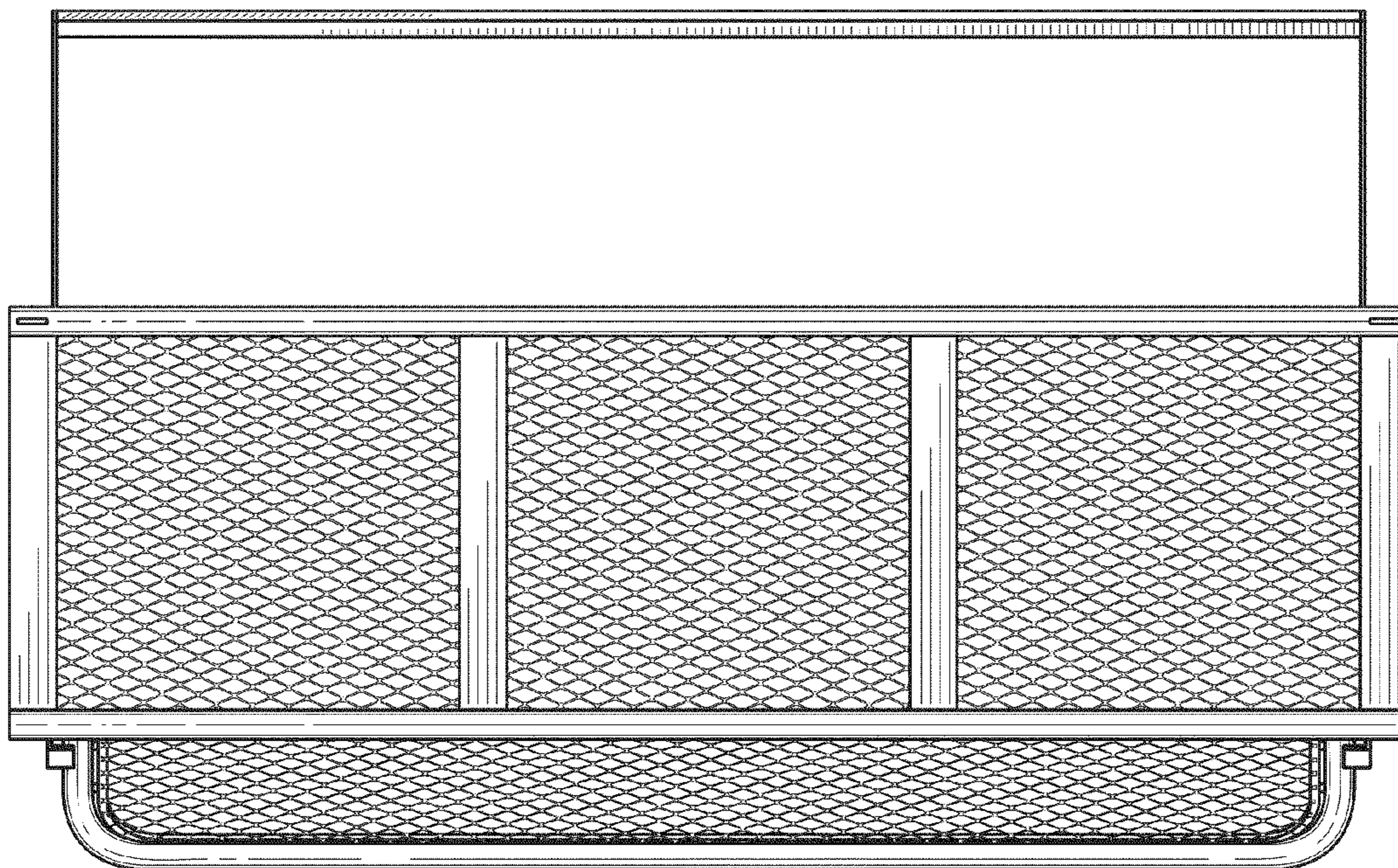


FIG. 7