



US00D651817S

(12) **United States Design Patent**  
**Horn et al.**

(10) **Patent No.:** **US D651,817 S**  
(45) **Date of Patent:** **\*\* Jan. 10, 2012**

(54) **SWING CHAIR FRAME**

(75) Inventors: **Vincent Ten Horn**, Amsterdam (NL);  
**Therese Johansson**, Amsterdam (NL)

(73) Assignee: **Nuna International B.V.**, Amsterdam  
Zuidoost (NL)

(\*\*) Term: **14 Years**

(21) Appl. No.: **29/353,657**

(22) Filed: **Jan. 12, 2010**

(30) **Foreign Application Priority Data**

Aug. 6, 2009 (TW) ..... 98303661

(51) **LOC (9) Cl.** ..... **06-01**

(52) **U.S. Cl.** ..... **D6/344**

(58) **Field of Classification Search** ..... D6/333,  
D6/334, 335, 339, 344, 345, 346, 347, 374,  
D6/375, 376, 499, 500-502; D21/823; 5/655;  
297/250.1, 273, 277, 280, 281, 440.11, 452.13,  
297/452.2, 452.19; 472/118, 119

See application file for complete search history.

(56) **References Cited**

U.S. PATENT DOCUMENTS

4,553,786	A *	11/1985	Lockett et al. ....	297/440.11
5,503,458	A *	4/1996	Petrie .....	297/452.13
D503,289	S *	3/2005	Eyman et al. ....	D6/344
D611,257	S *	3/2010	Jacobs et al. ....	D6/333
D637,827	S *	5/2011	Horn et al. ....	D6/344
D637,828	S *	5/2011	Horn et al. ....	D6/344
D645,264	S *	9/2011	Wiegmann et al. ....	D6/339

\* cited by examiner

*Primary Examiner* — Mimoso De

(74) *Attorney, Agent, or Firm* — Overhauser Law Offices  
LLC

(57) **CLAIM**

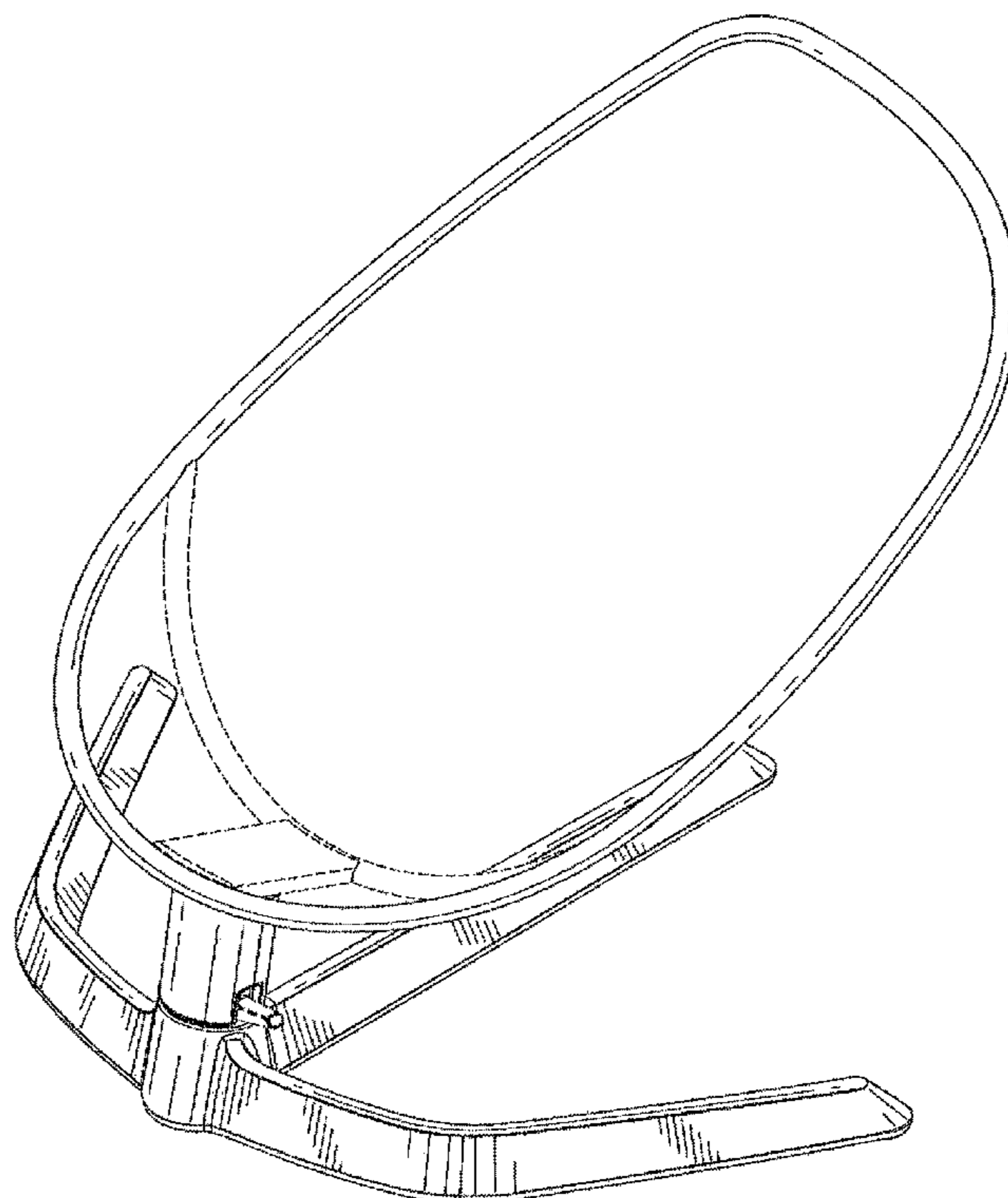
The ornamental design for swing chair frame, as shown and described.

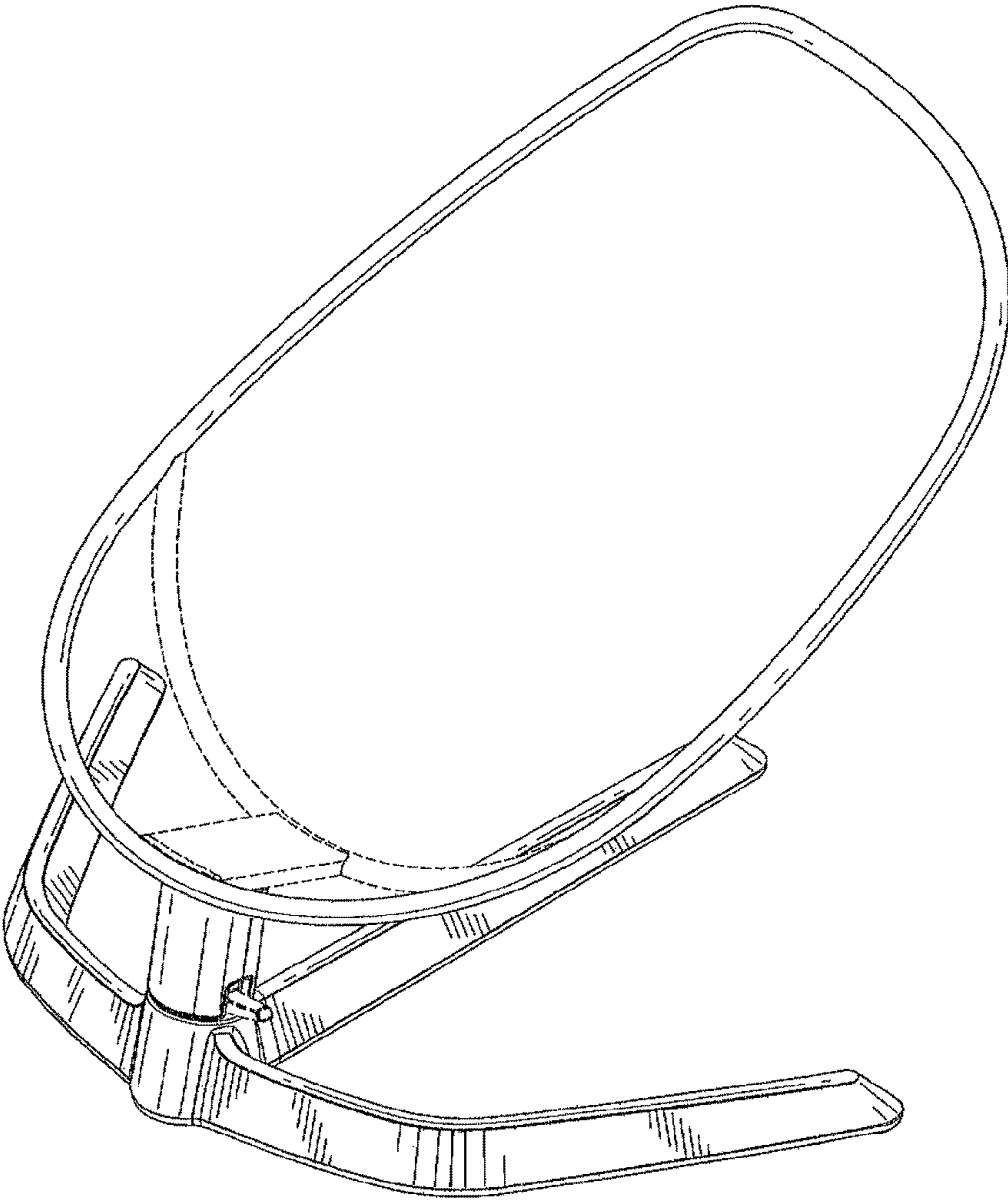
**DESCRIPTION**

FIG. 1 is a perspective view of swing chair frame showing my new design;  
FIG. 2 is a front elevational view thereof;  
FIG. 3 is a rear elevational view thereof;  
FIG. 4 is a left side elevational view thereof;  
FIG. 5 is a right side elevational view thereof;  
FIG. 6 is a top plan view thereof; and,  
FIG. 7 is a bottom plan view thereof.

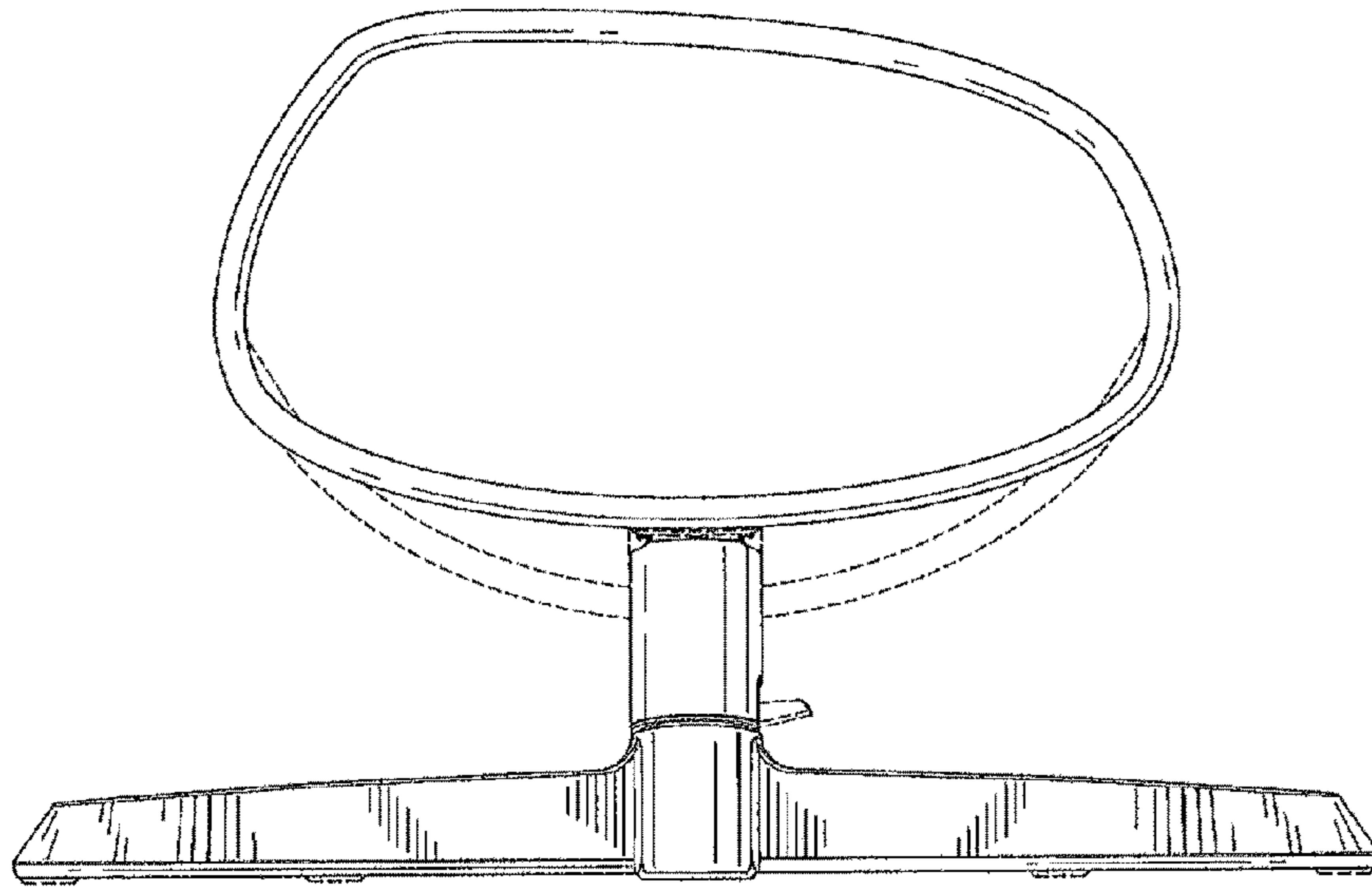
The portions shown in dashed lines in FIGS. 1-7 do not form part of the design.

**1 Claim, 5 Drawing Sheets**

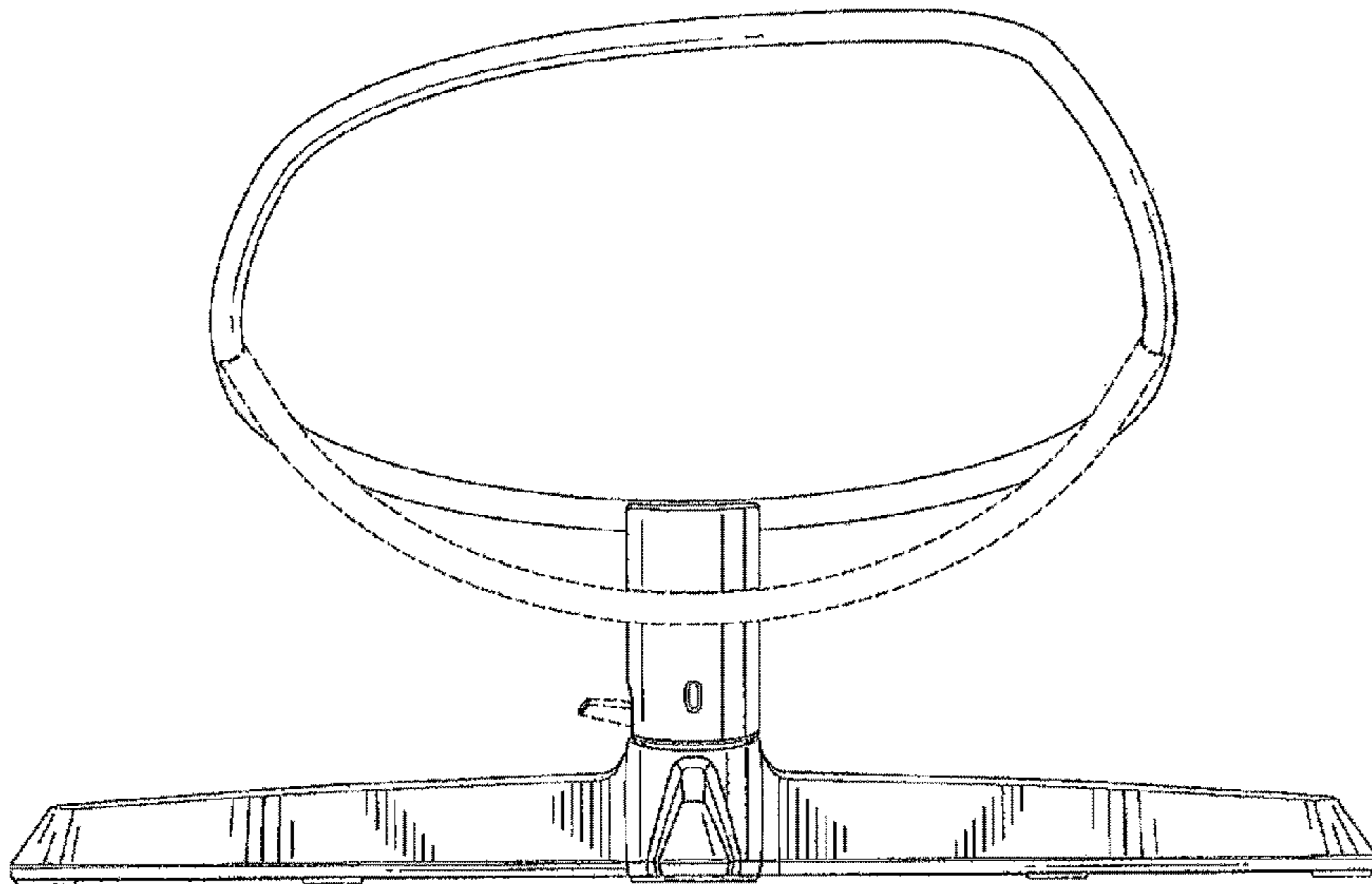




F I G. 1



F I G. 2



F I G. 3

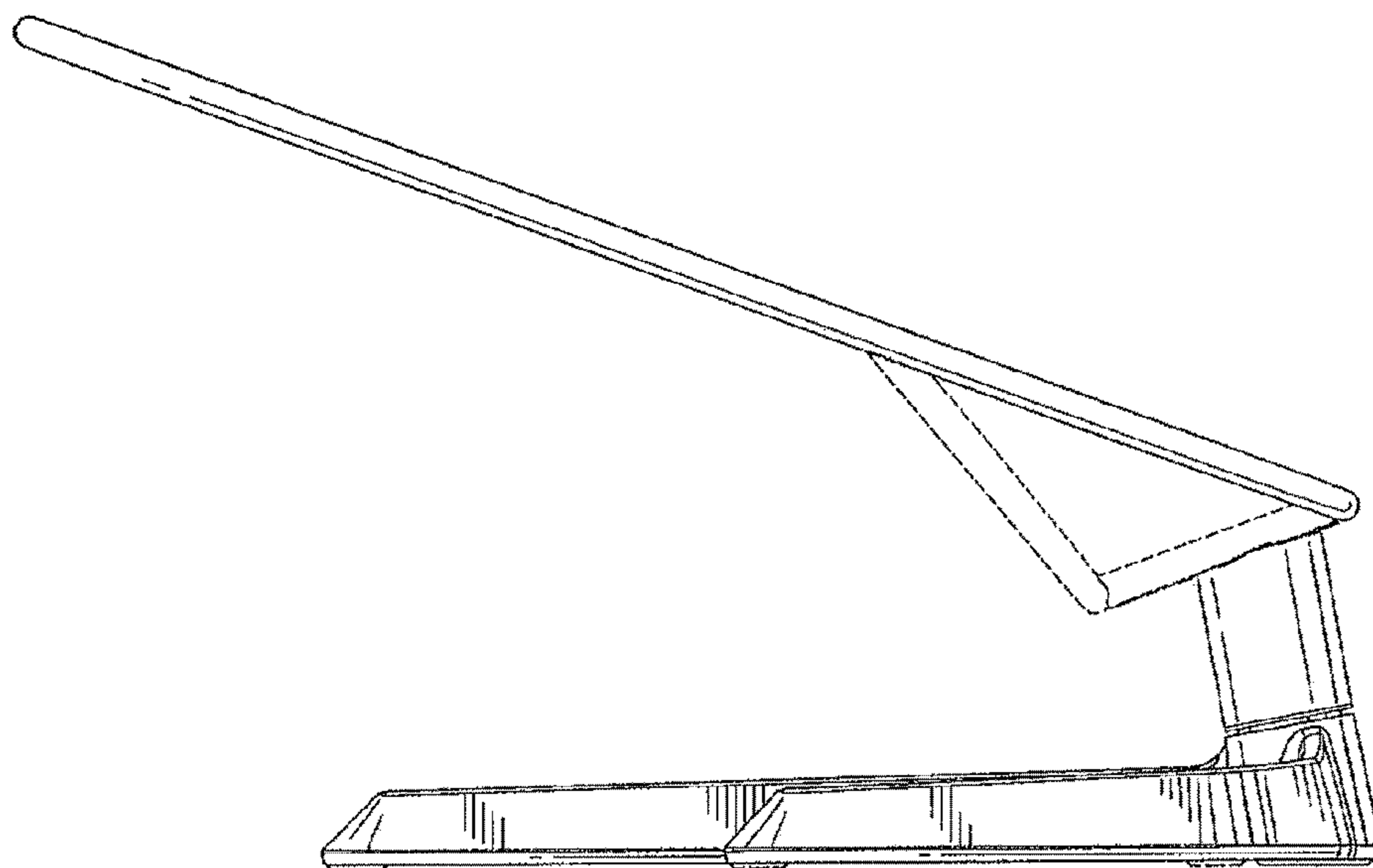


FIG. 4

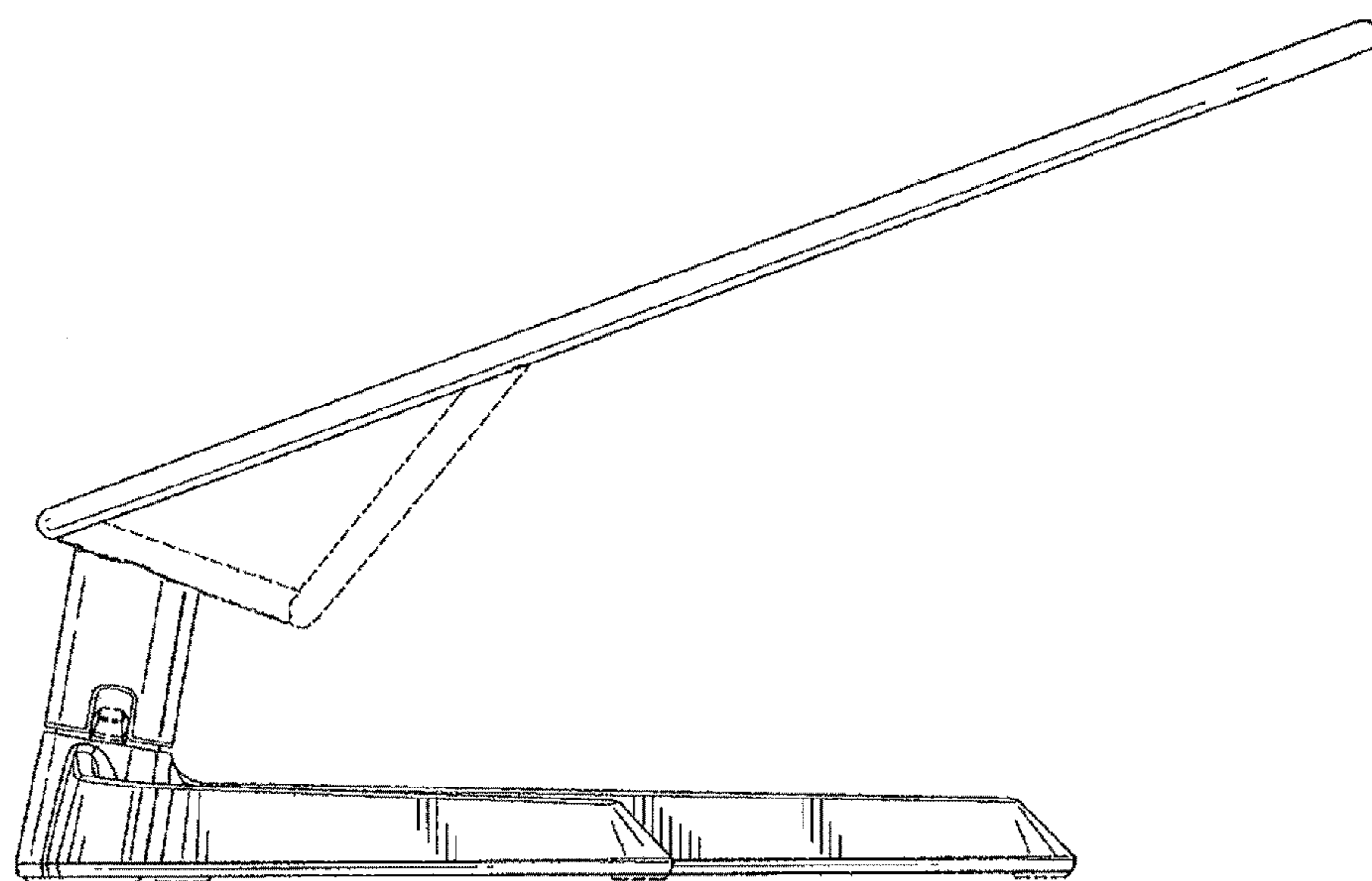
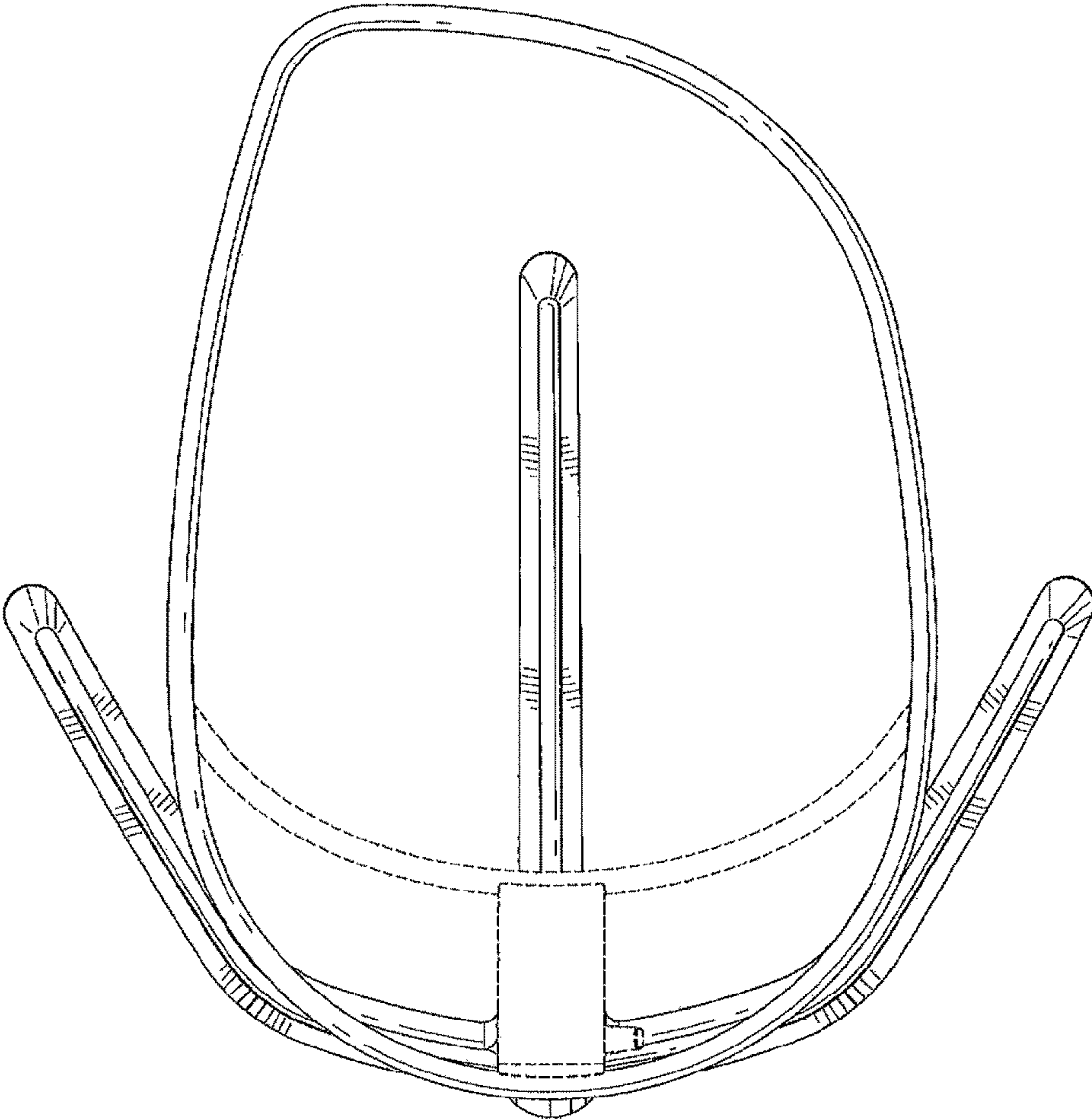
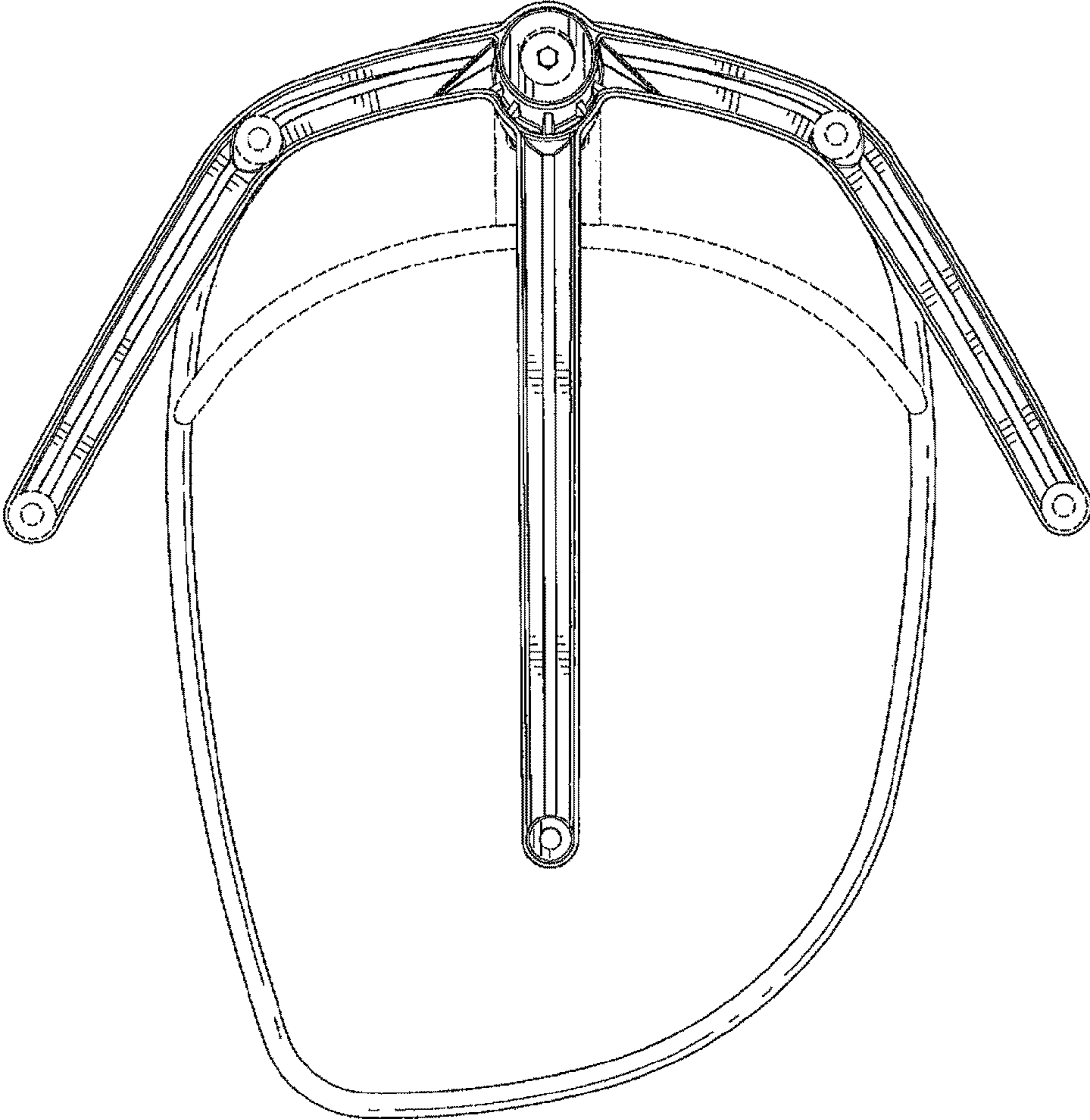


FIG. 5



F I G. 6



F I G . 7