

US00D651816S

(12) **United States Design Patent**
Shi

(10) **Patent No.:** **US D651,816 S**
(45) **Date of Patent:** **** Jan. 10, 2012**

(54) **BABY CHAIR**

(76) Inventor: **Ruheng Shi**, Guang Dong Province
(CN)

(**) Term: **14 Years**

(21) Appl. No.: **29/394,849**

(22) Filed: **Jun. 22, 2011**

(51) **LOC (9) Cl.** **06-01**

(52) **U.S. Cl.** **D6/339**

(58) **Field of Classification Search** D6/338-339,
D6/491, 500-502, 333-335; D12/129; D21/412,
D21/419; 5/94, 98.1, 99.1, 101, 102, 105,
5/655; 297/183.1-183.4, 184.13, 250.1,
297/255, 256.15, 256.16, 174 R, 174 CS,
297/170-173

See application file for complete search history.

(56) **References Cited**

U.S. PATENT DOCUMENTS

D454,007 S * 3/2002 Huang D6/339
D461,062 S * 8/2002 Wu D6/344

D575,538 S * 8/2008 Tomasi D6/339
D594,667 S * 6/2009 Wang D6/339
D618,001 S * 6/2010 Bearup et al. D6/339
D618,925 S * 7/2010 Fiore et al. D6/339

* cited by examiner

Primary Examiner — Caron D Veynar

Assistant Examiner — Abraham Bahta

(74) *Attorney, Agent, or Firm* — WPAT, P.C.; Anthony King

(57) **CLAIM**

The ornamental design for a baby chair, as shown and described.

DESCRIPTION

FIG. 1 is a perspective view of a baby chair showing our new design thereof;

FIG. 2 is a front elevational view thereof;

FIG. 3 is a rear elevational view thereof;

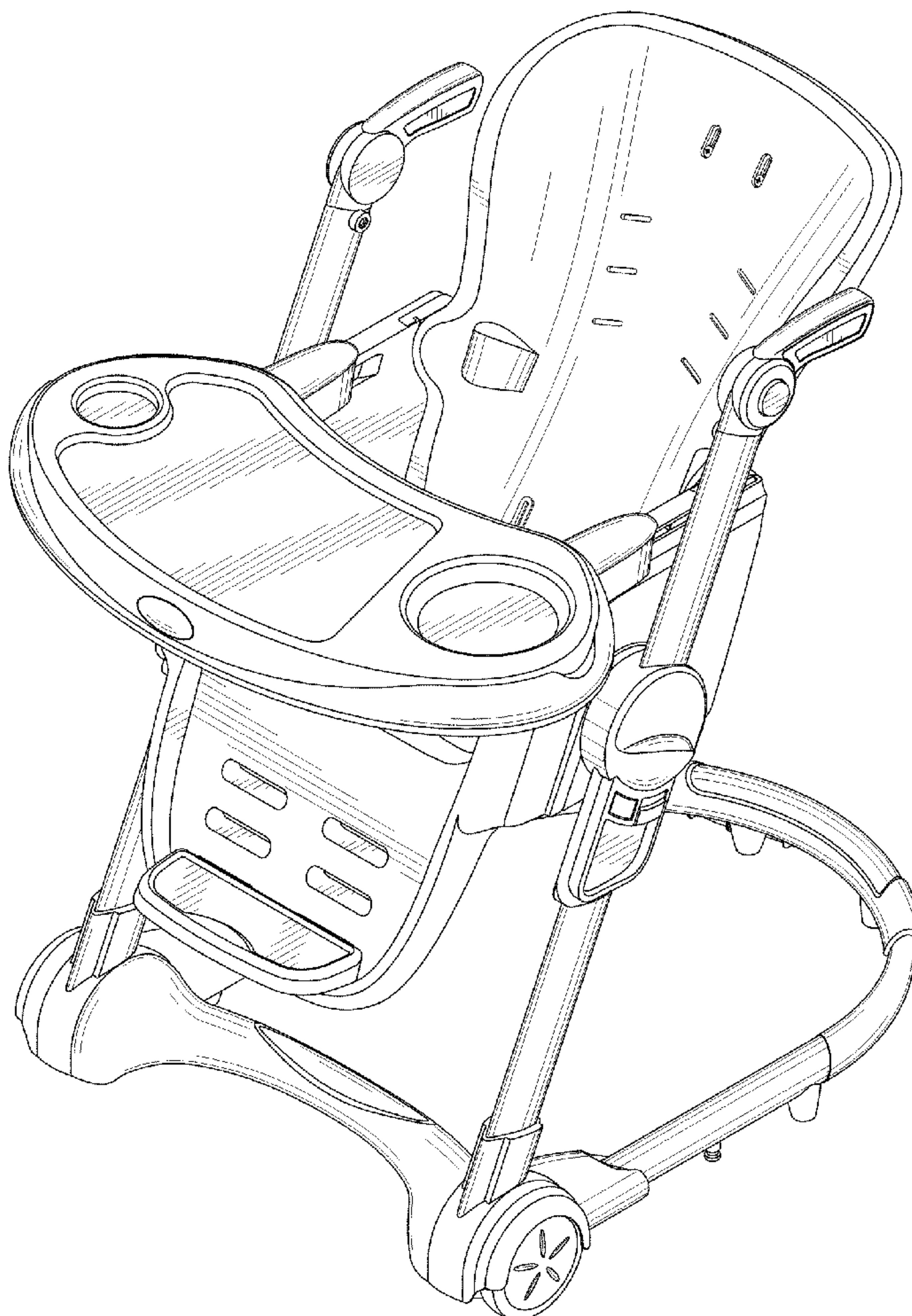
FIG. 4 is a left side elevational view thereof;

FIG. 5 is a right side elevational view thereof;

FIG. 6 is a top plan view thereof; and,

FIG. 7 is a bottom plan view thereof.

1 Claim, 7 Drawing Sheets



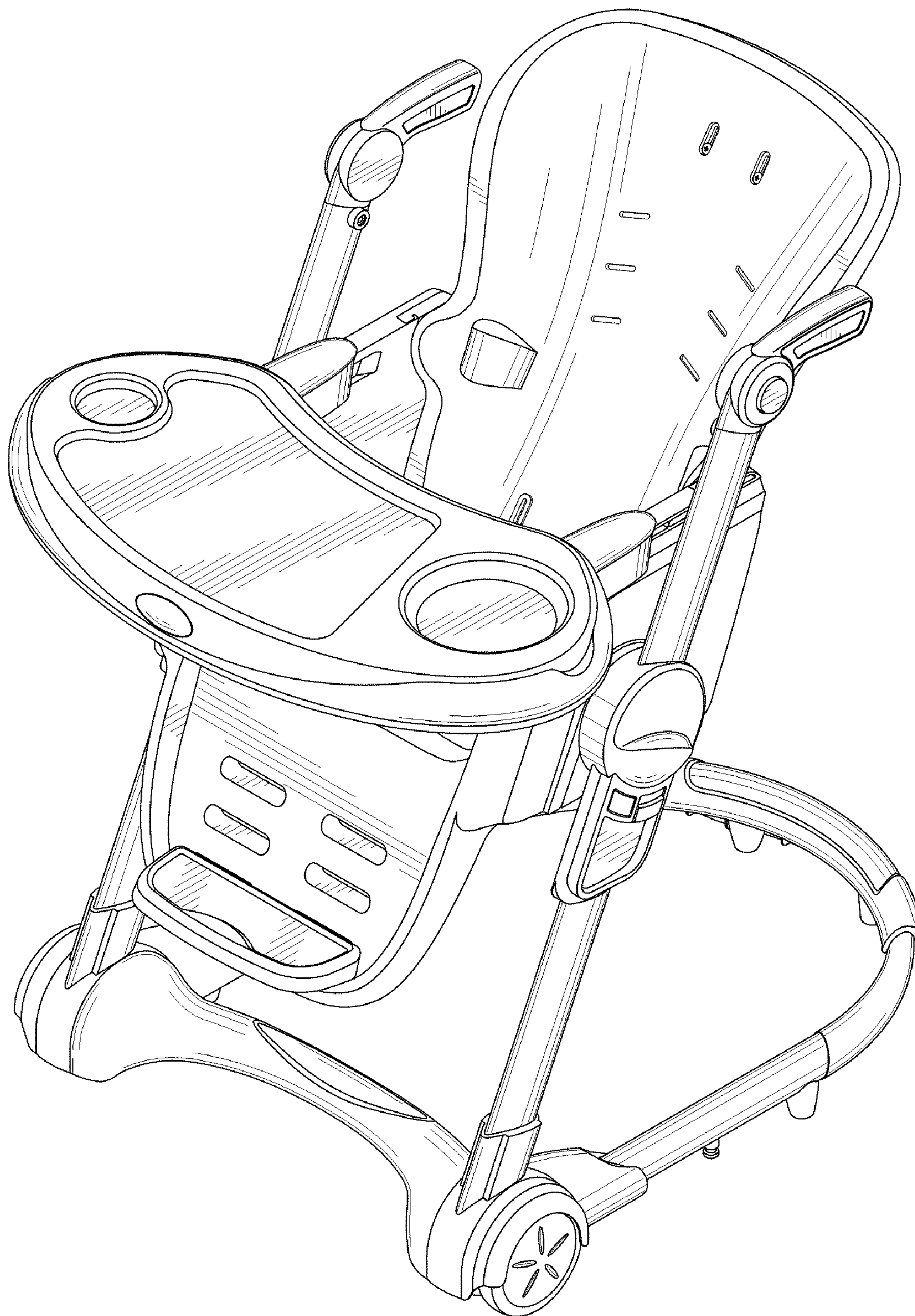


FIG. 1

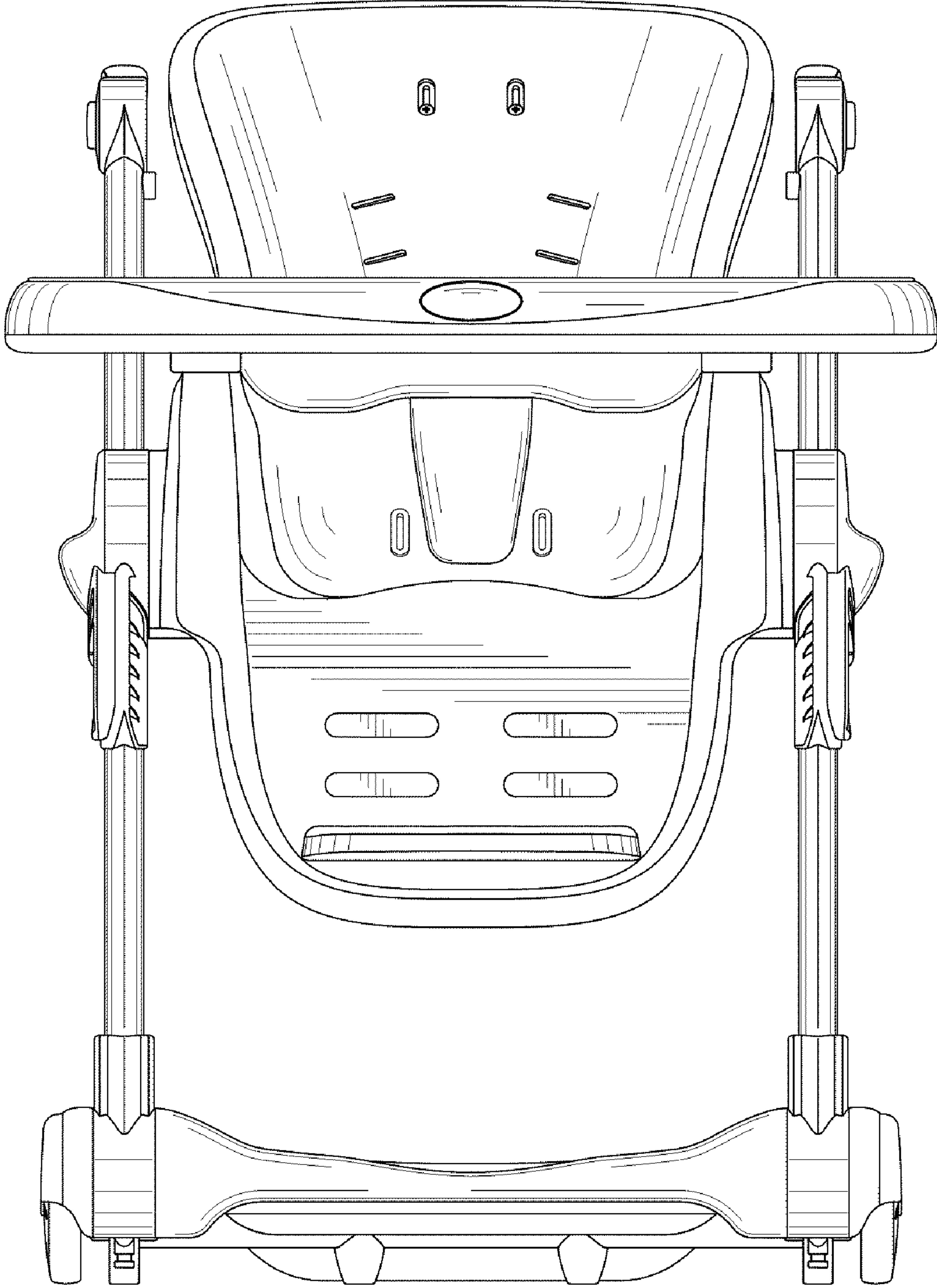


FIG. 2

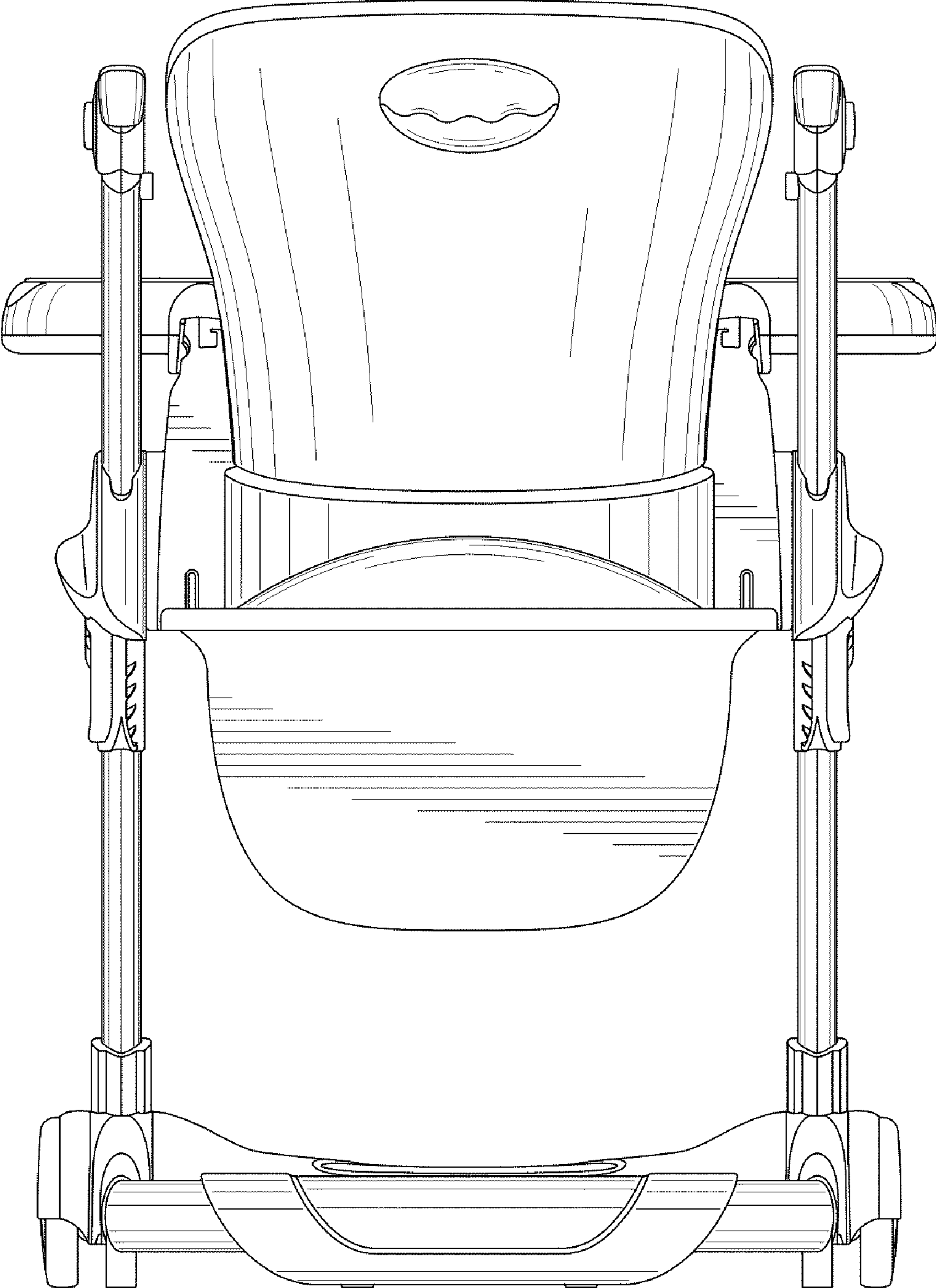


FIG. 3

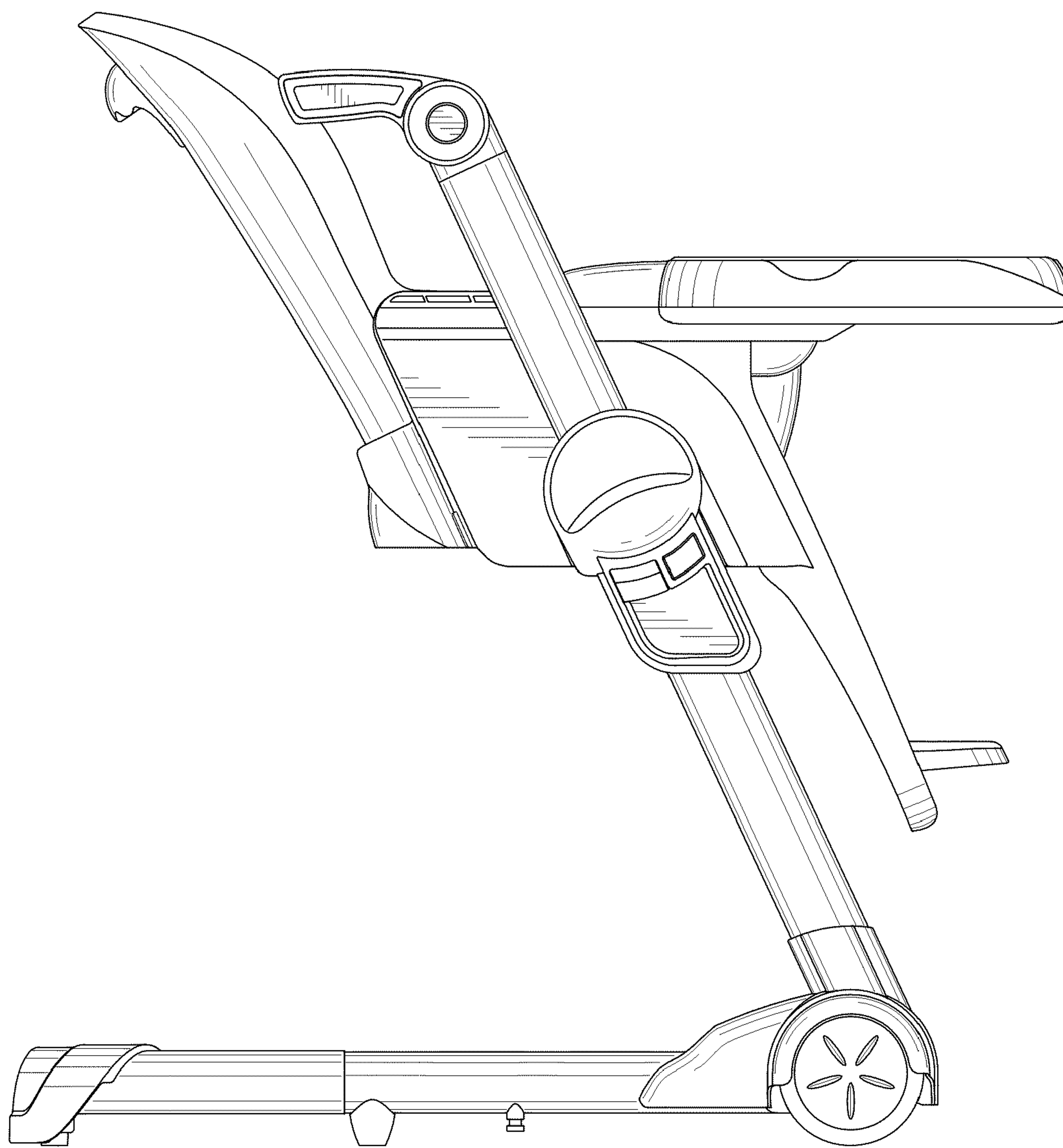


FIG. 4

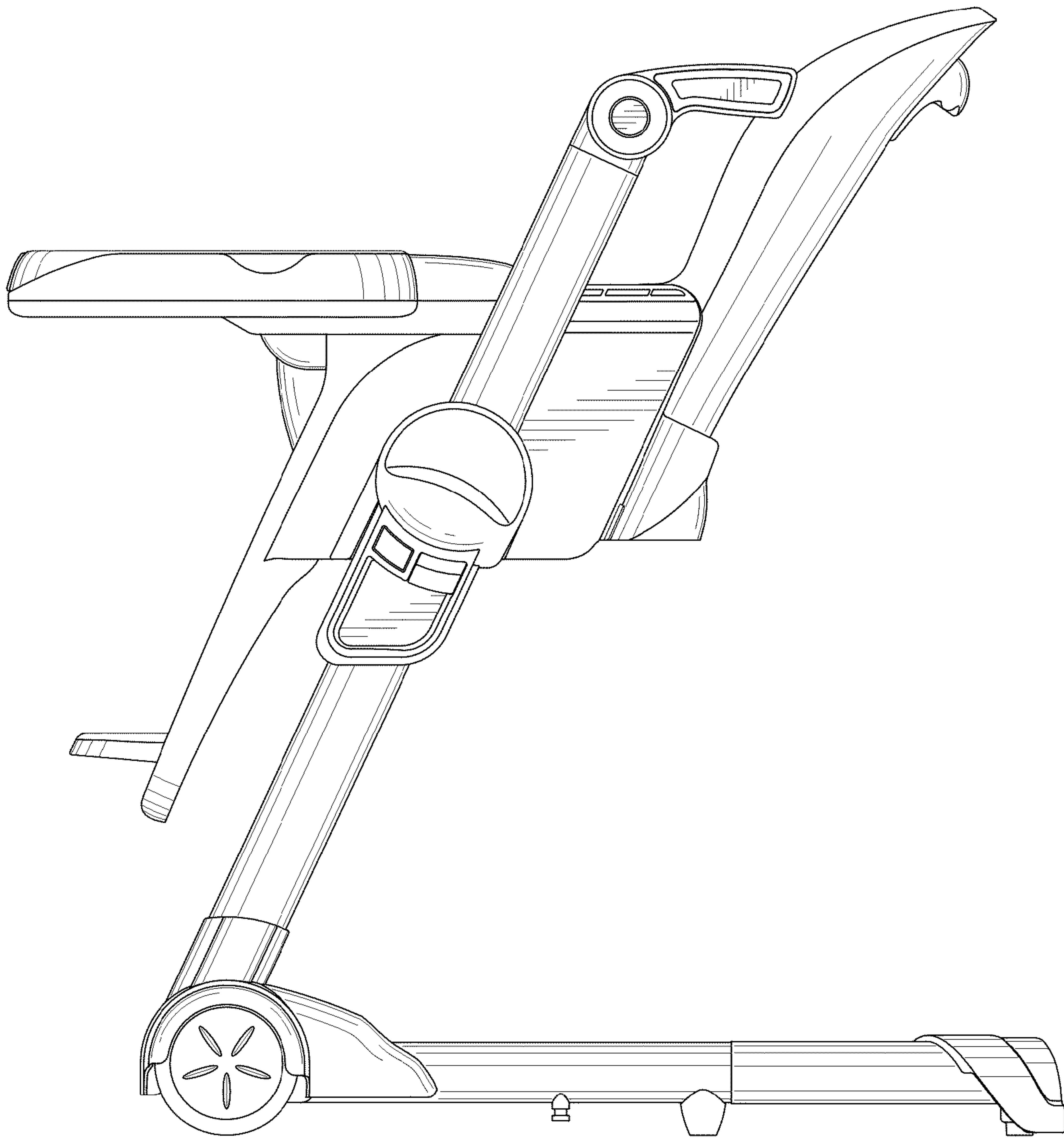


FIG. 5

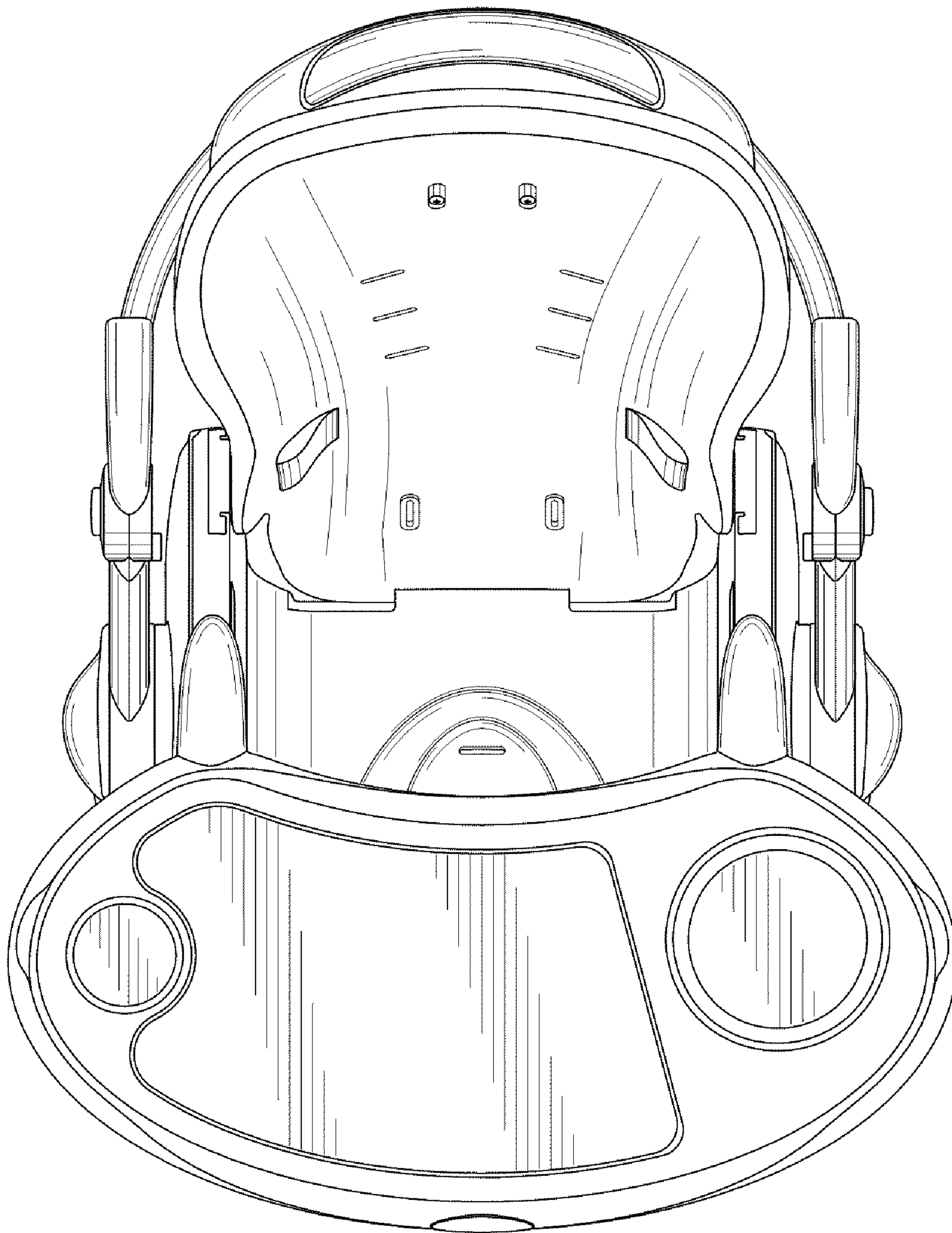


FIG. 6

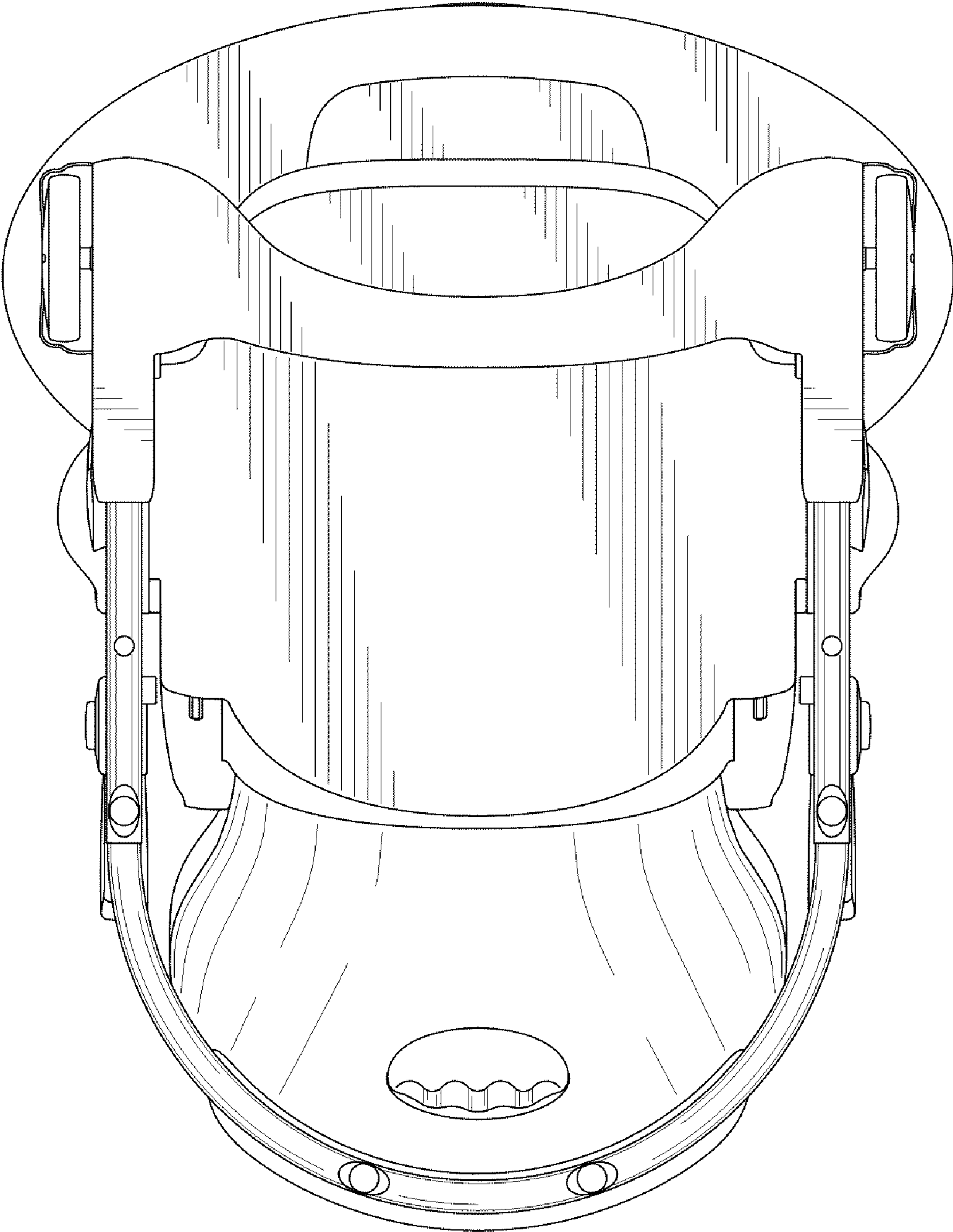


FIG. 7