



US00D651814S

(12) **United States Design Patent**  
**Pininfarina**

(10) **Patent No.:** **US D651,814 S**

(45) **Date of Patent:** **\*\* Jan. 10, 2012**

(54) **SUPPORT FOR PERCUSSION MUSICAL INSTRUMENTS**

*Primary Examiner* — Sandra Snapp

(74) *Attorney, Agent, or Firm* — Heslin Rothenberg Farley & Mesiti P.C.; Victor A. Cardona

(75) Inventor: **Paolo Pininfarina**, Cambiano (IT)

(73) Assignee: **Pininfarina Extra S.r.l.**, Cambiano (Torino) (IT)

(57) **CLAIM**

The ornamental design for a support for percussion musical instruments, as shown and described.

(\*\*) Term: **14 Years**

(21) Appl. No.: **29/335,290**

(22) Filed: **Apr. 13, 2009**

**DESCRIPTION**

(30) **Foreign Application Priority Data**

Oct. 13, 2008 (IT) ..... TO2008O000040

(51) **LOC (9) Cl.** ..... **06-01**

(52) **U.S. Cl.** ..... **D6/332**

(58) **Field of Classification Search** ..... D6/332,  
D6/432, 436; D25/58, 47, 49; 52/73  
See application file for complete search history.

FIG. 1 is a rear perspective view of a support for percussion musical instruments comprised of a support base and a related clamp;

FIG. 2 is a front perspective view thereof;

FIG. 3 is a rear perspective view of a support base of the new design shown separately for clarity;

FIG. 4 is a front perspective view thereof;

FIG. 5 is a rear perspective view thereof;

FIG. 6 is a front perspective view thereof;

FIG. 7 is a rear view thereof;

FIG. 8 is a front view thereof;

FIG. 9 is a bottom view thereof;

FIG. 10 is a top view thereof;

FIG. 11 is a left side view thereof;

FIG. 12 is a right side view thereof;

FIG. 13 is a top perspective view of a clamp of the new design shown separately for clarity;

FIG. 14 is a bottom perspective view thereof;

FIG. 15 is a bottom view thereof;

FIG. 16 is a top view thereof;

FIG. 17 is a right side view thereof;

FIG. 18 is left side view thereof;

FIG. 19 is a front view thereof; and,

FIG. 20 is a rear view thereof.

The broken lines in the figures are for illustrative purposes only and form no part of the claimed invention.

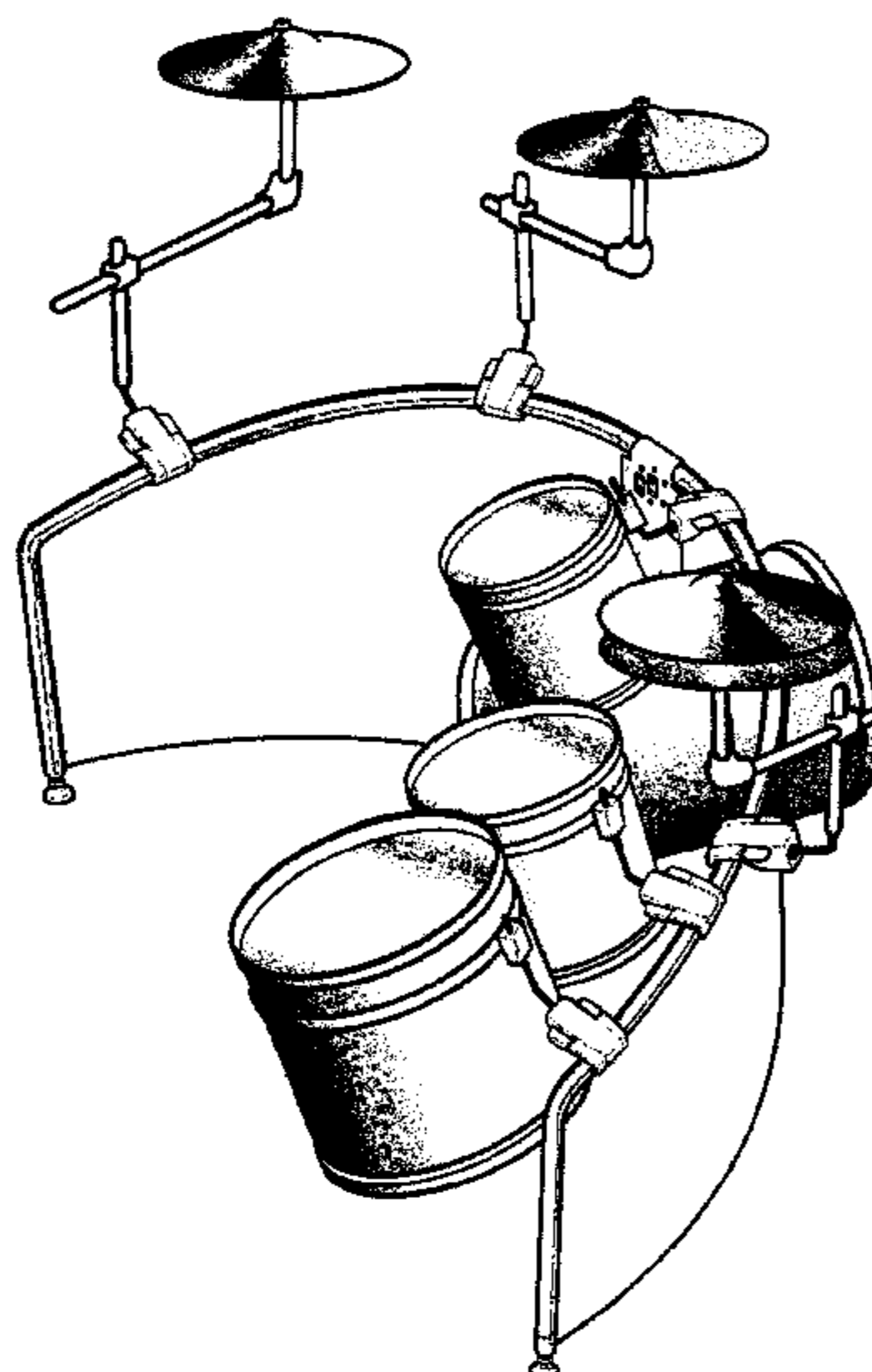
(56) **References Cited**

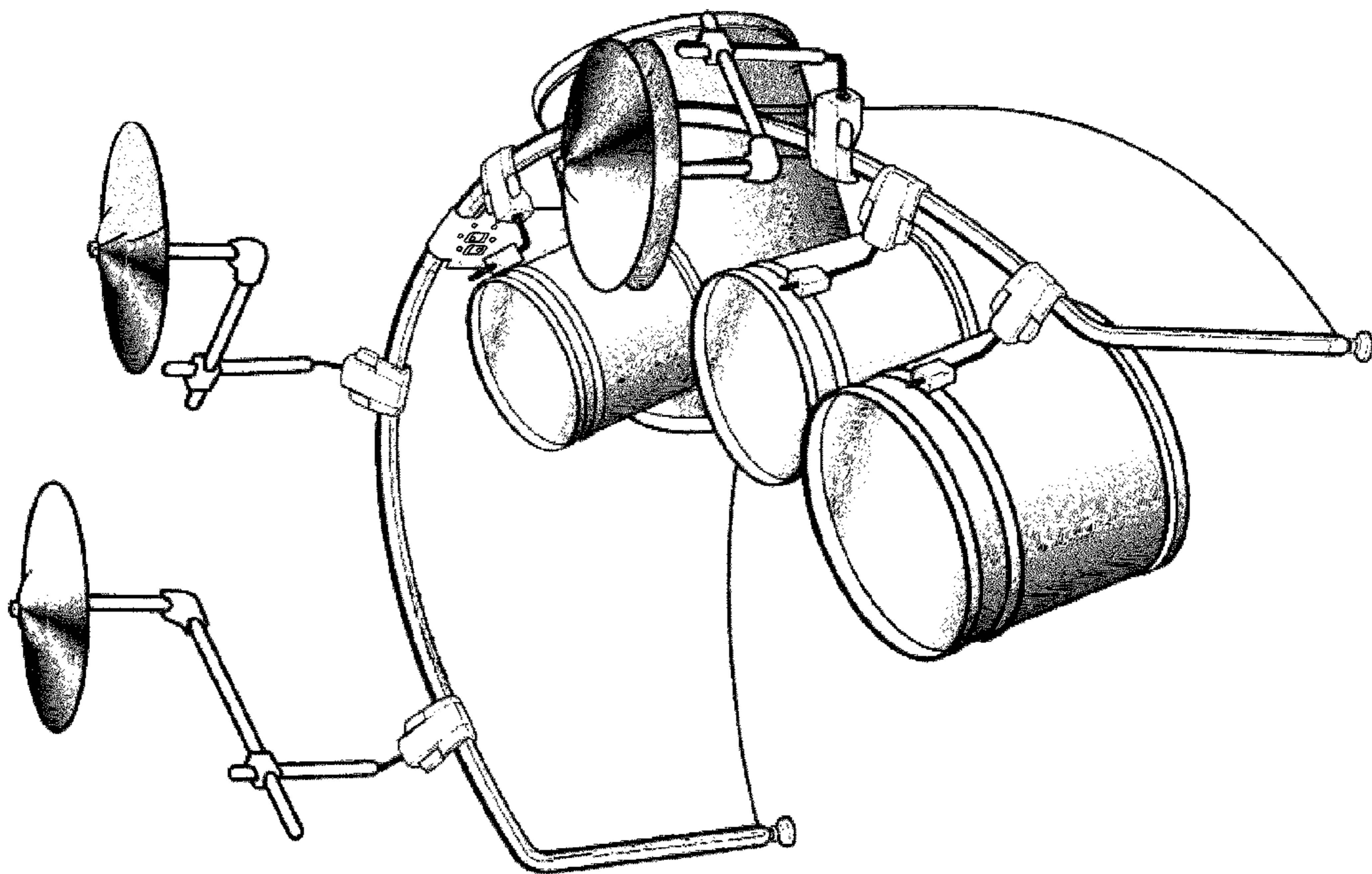
**U.S. PATENT DOCUMENTS**

1,520,420	A *	12/1924	Kideney et al.	607/83
2,266,854	A *	12/1941	Davis	160/131
2,324,398	A *	7/1943	Kahr	160/113
2,887,154	A *	5/1959	Morningstar et al.	160/351
2,911,038	A *	11/1959	Frommelt	160/351
3,517,109	A *	6/1970	Young	174/373
5,379,786	A *	1/1995	Lynam	135/87
D396,572	S *	8/1998	Gongora et al.	D6/397
D405,976	S *	2/1999	Beall	D6/396
D423,828	S *	5/2000	Wilkinson	D6/491
D449,169	S *	10/2001	Bennie et al.	D6/332
D460,274	S *	7/2002	Bennie et al.	D6/313
6,681,532	B1 *	1/2004	Palmbos et al.	52/71
D497,486	S *	10/2004	Quiel	D6/332
D532,208	S *	11/2006	Partridge	D6/332
D536,540	S *	2/2007	Partridge	D6/332
D548,796	S *	8/2007	Sachnoff	D20/43

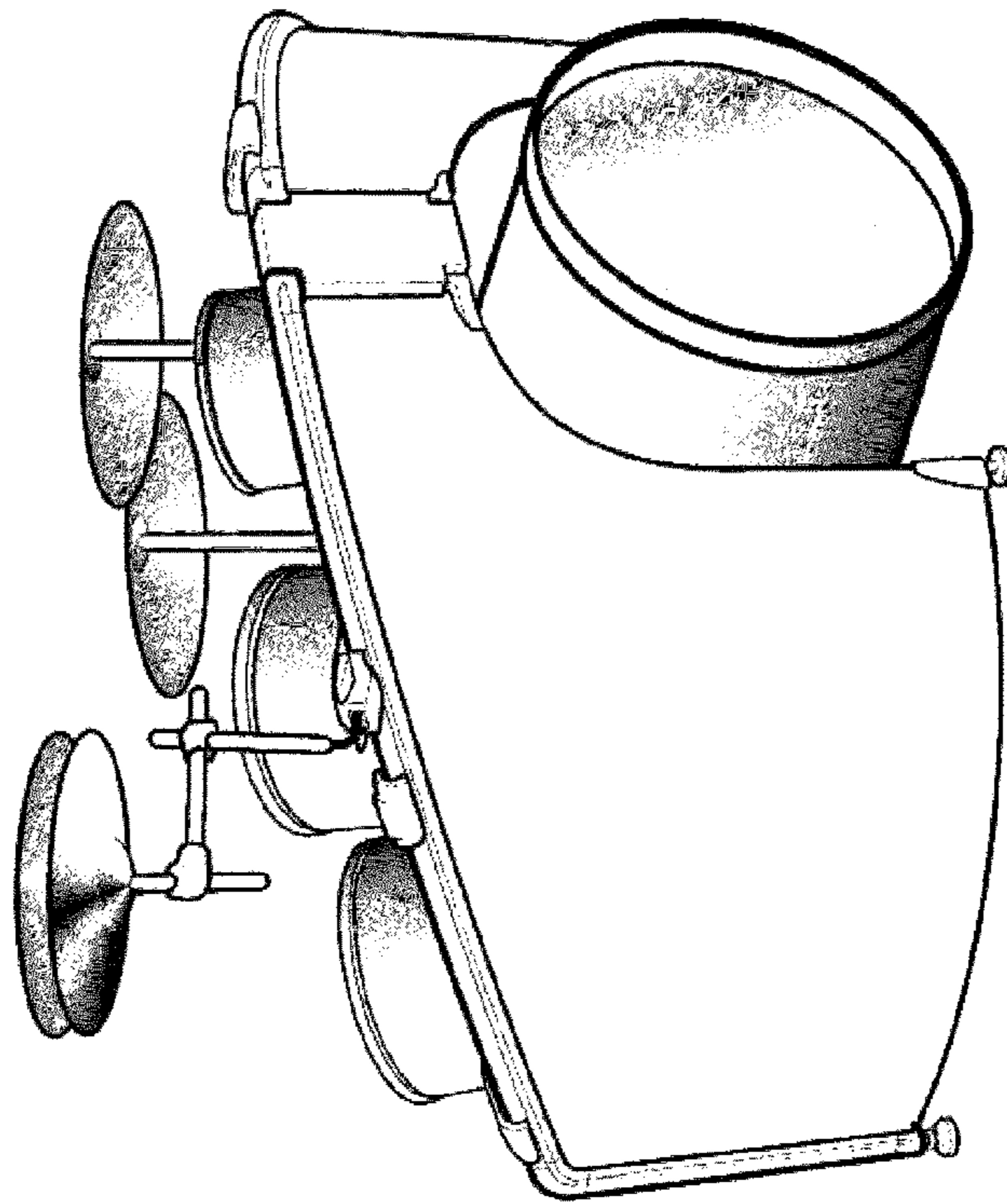
\* cited by examiner

**1 Claim, 14 Drawing Sheets**





**FIG. 1**



**FIG. 2**

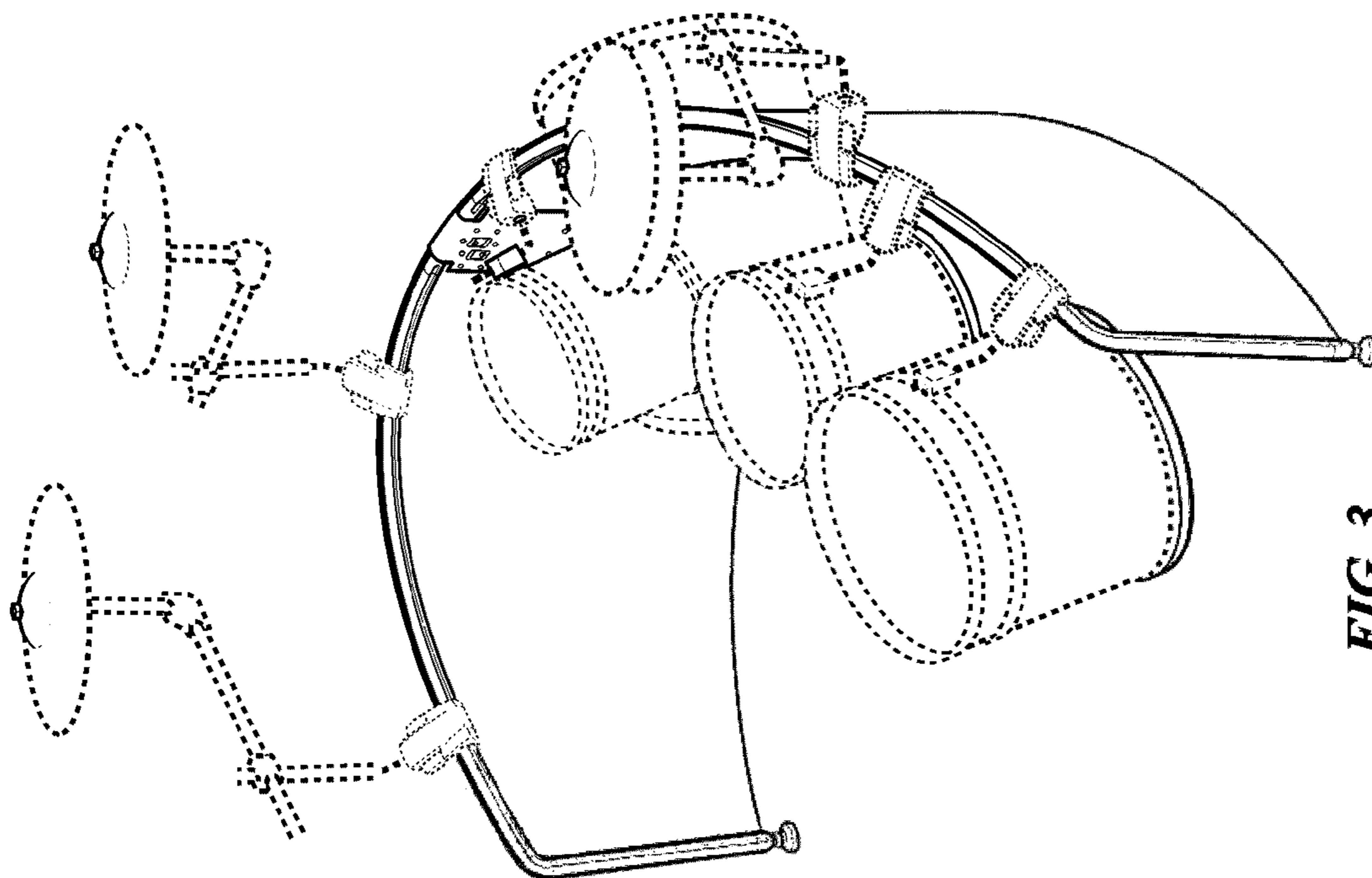


FIG. 3

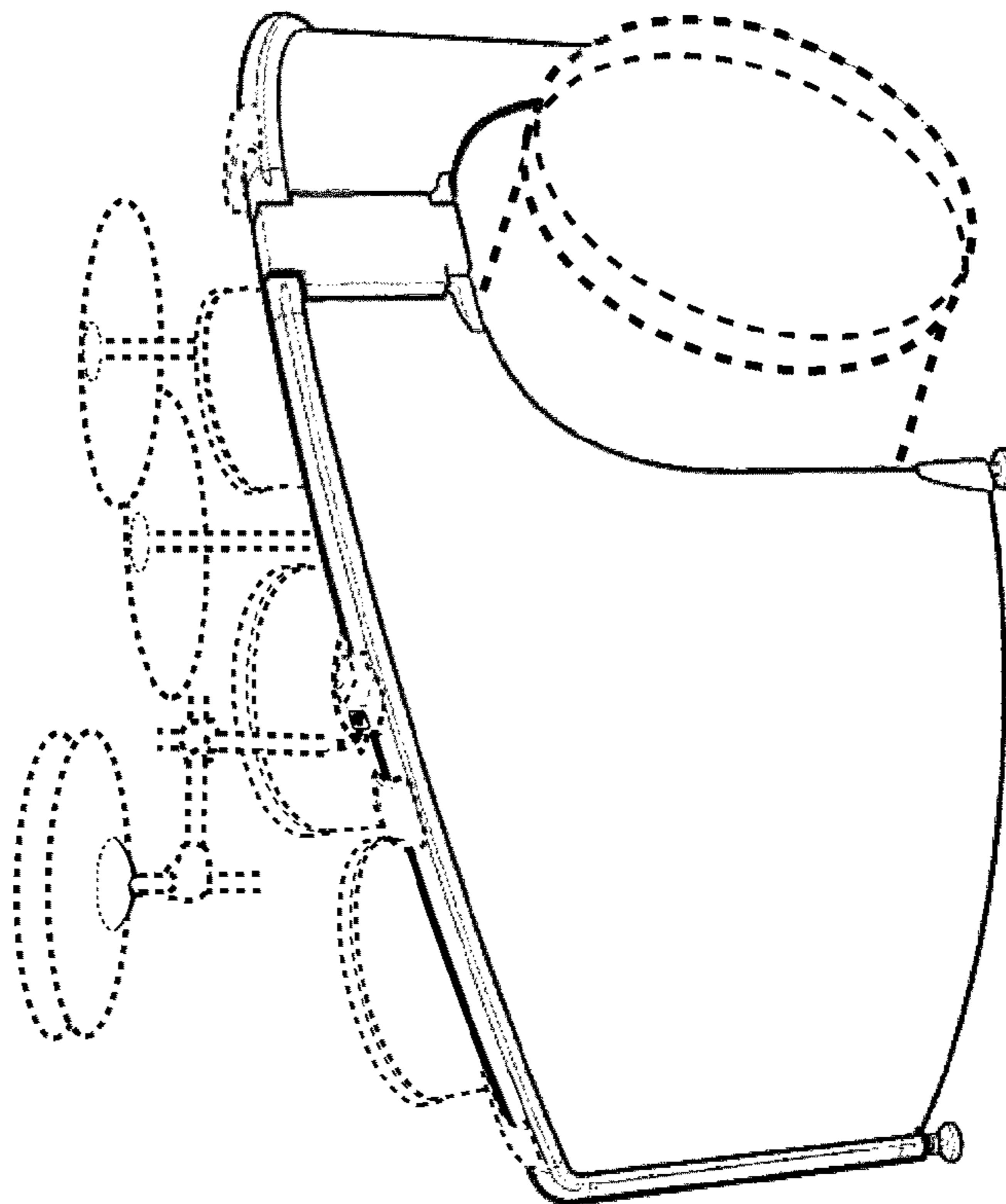
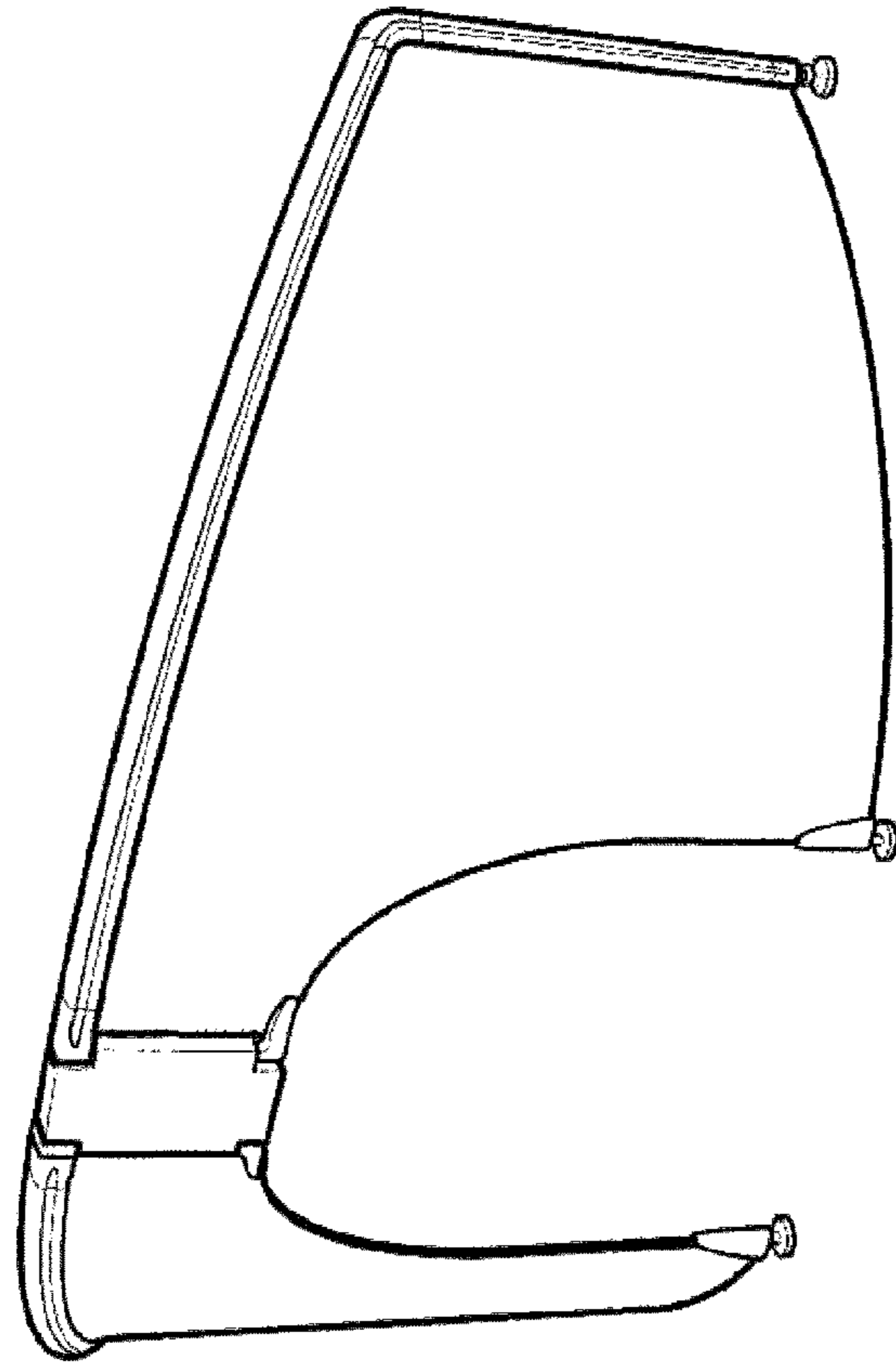
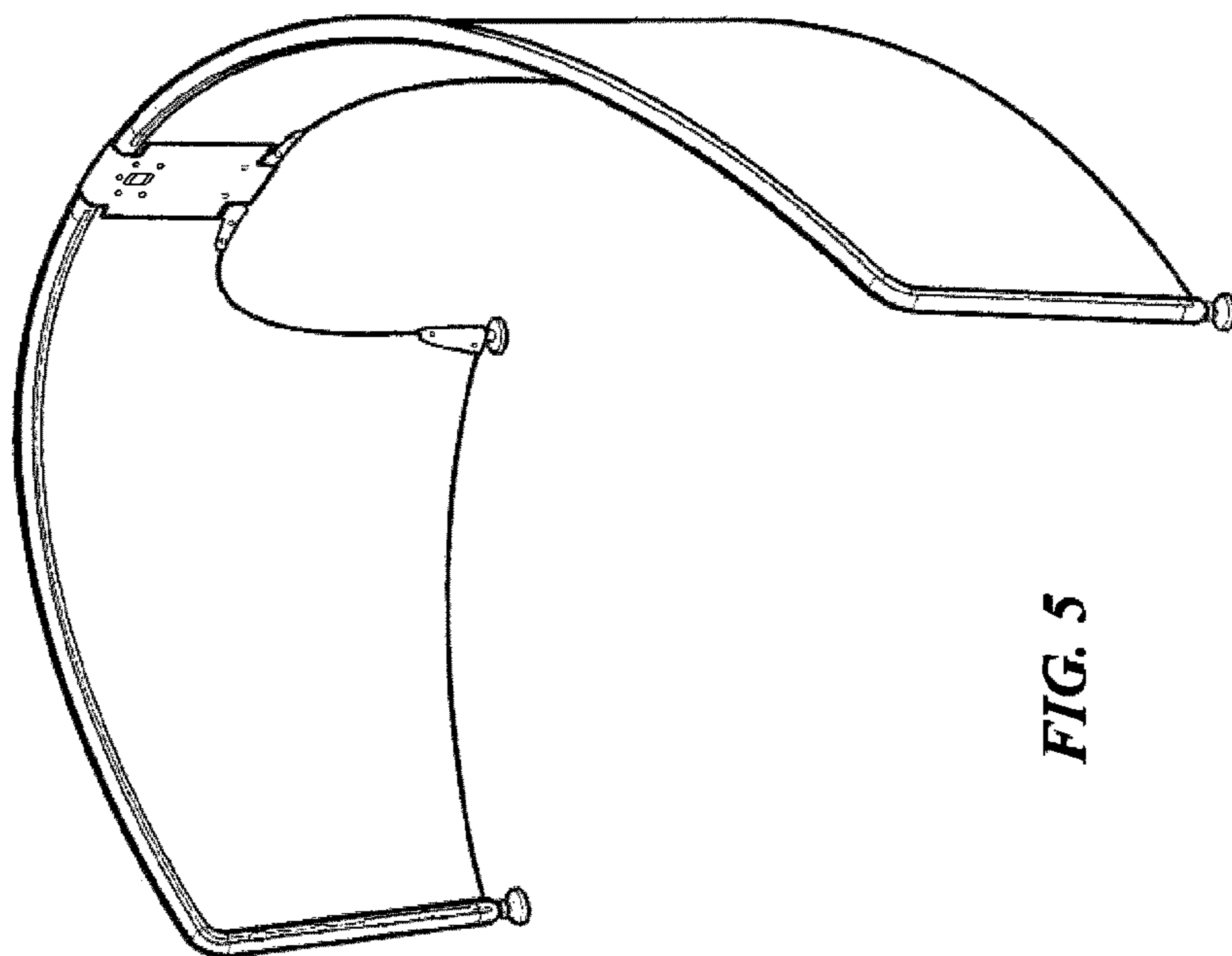


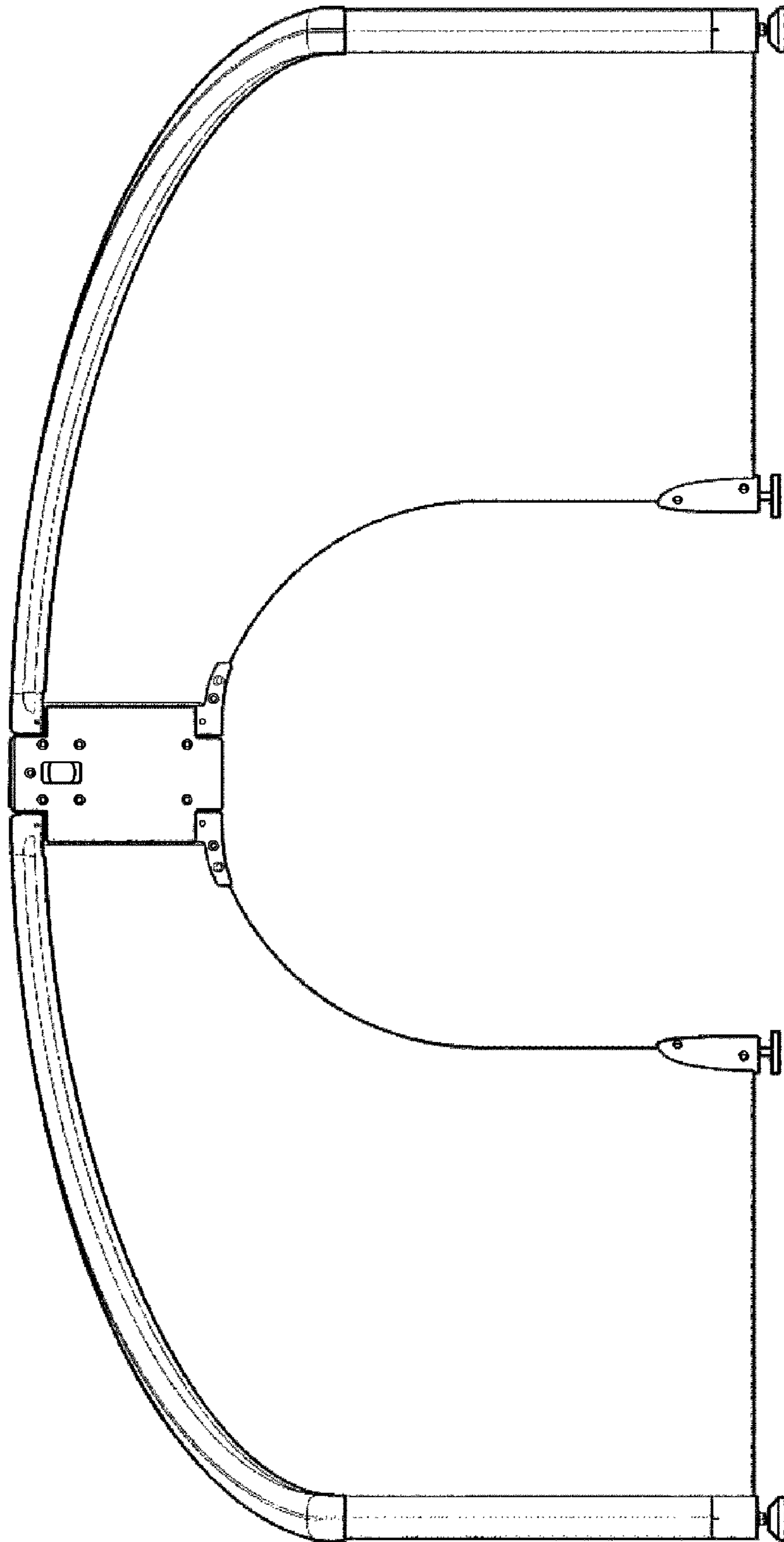
FIG. 4



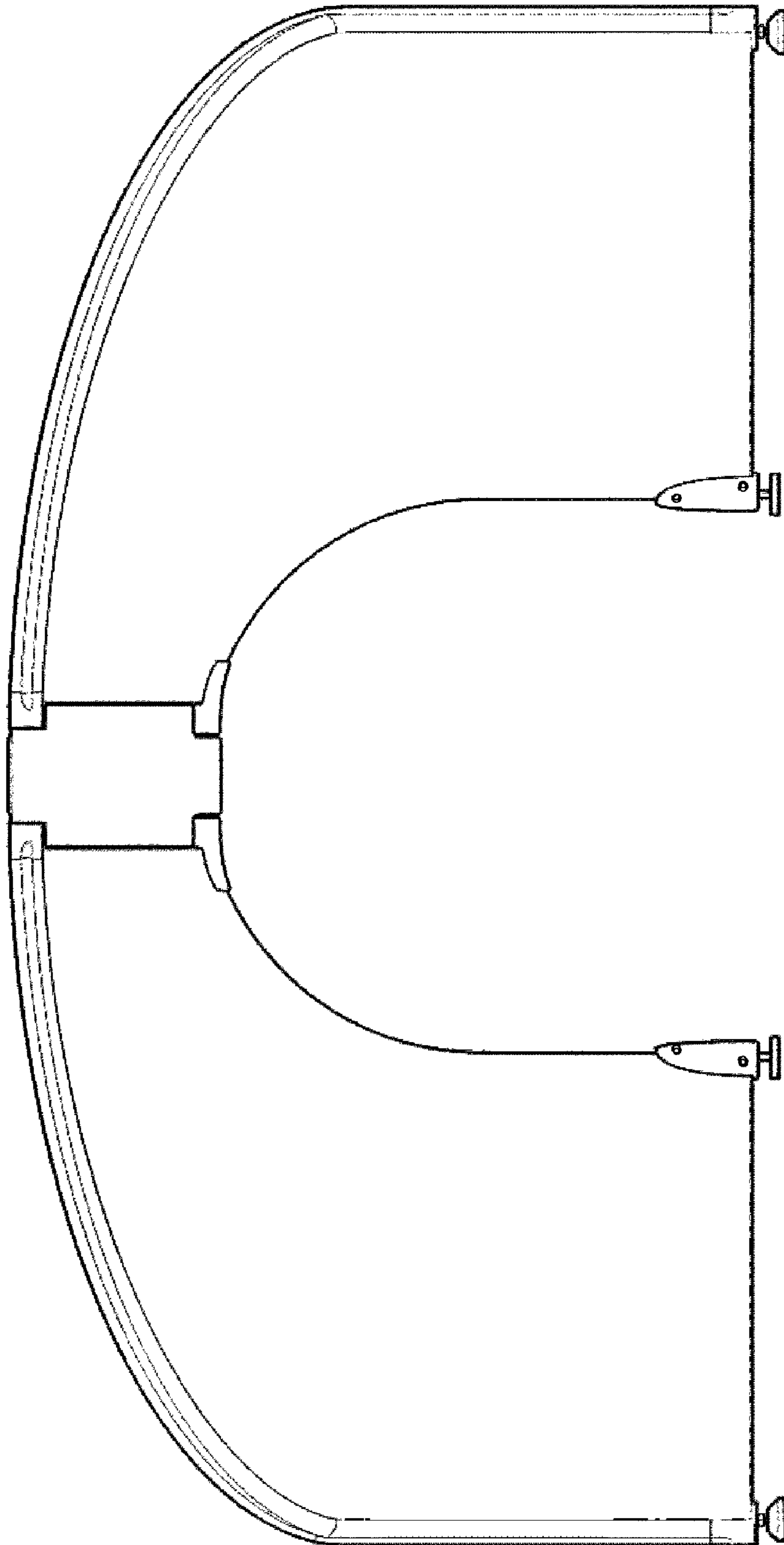
**FIG. 5**



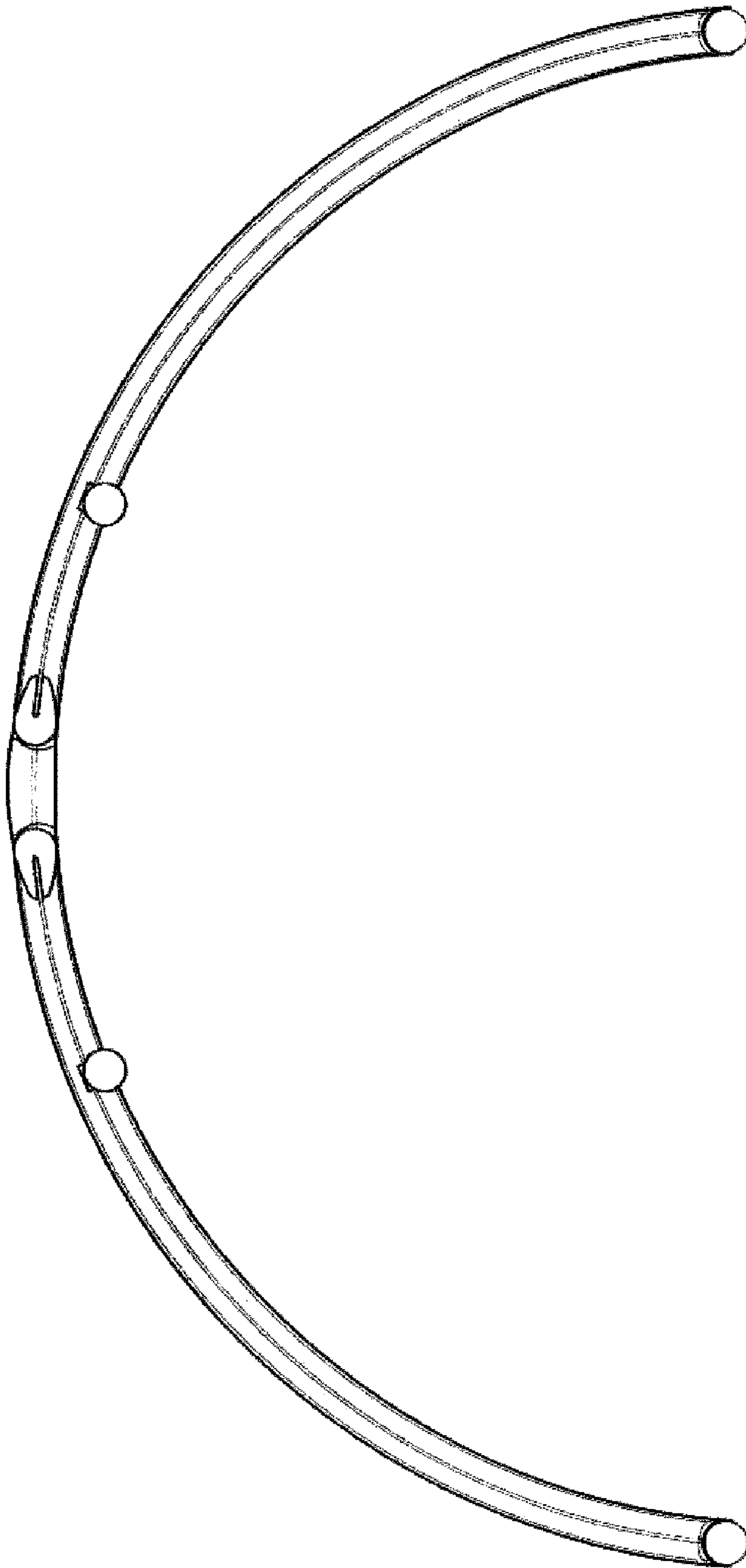
**FIG. 6**



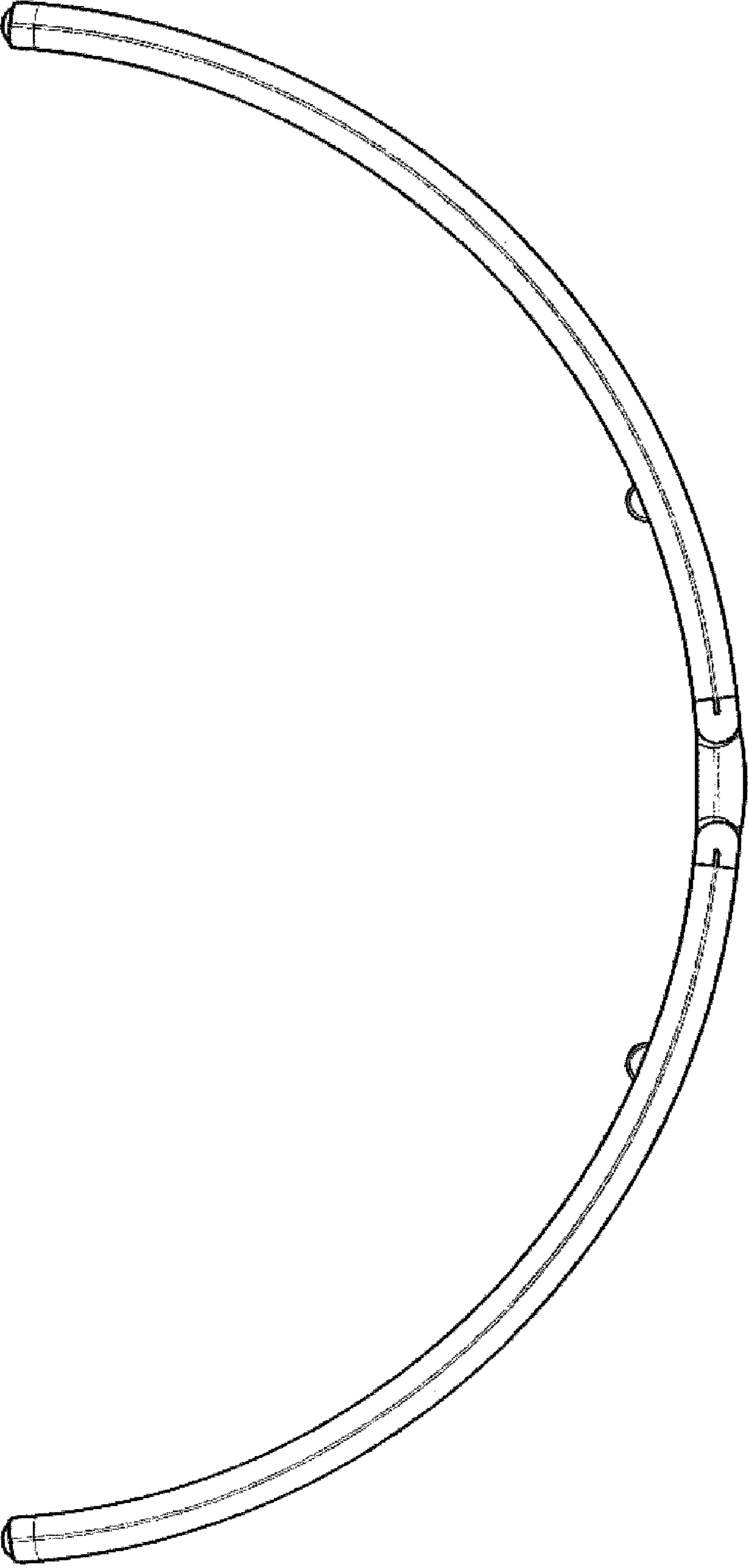
**FIG. 7**



**FIG. 8**

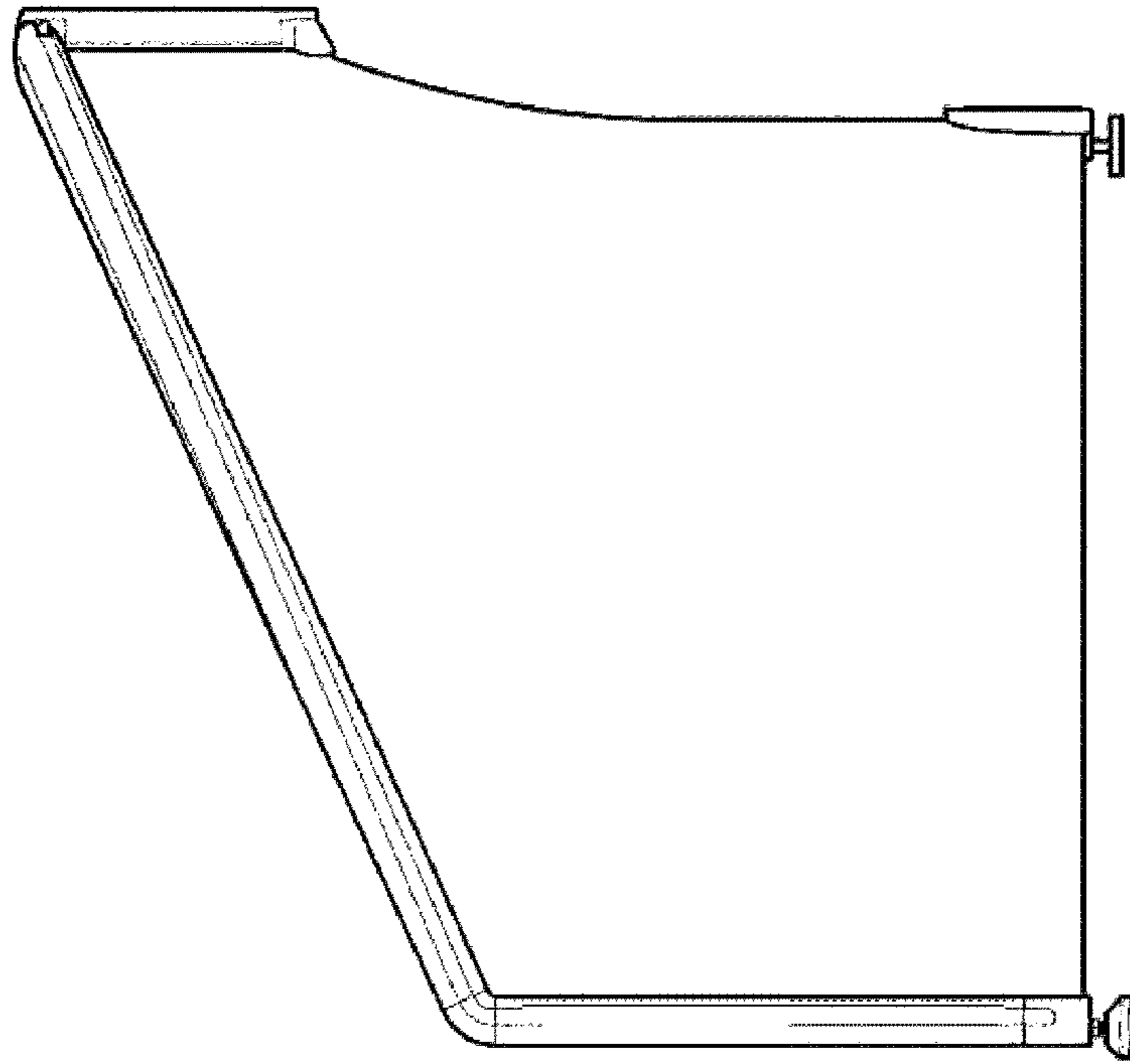


**FIG. 9**

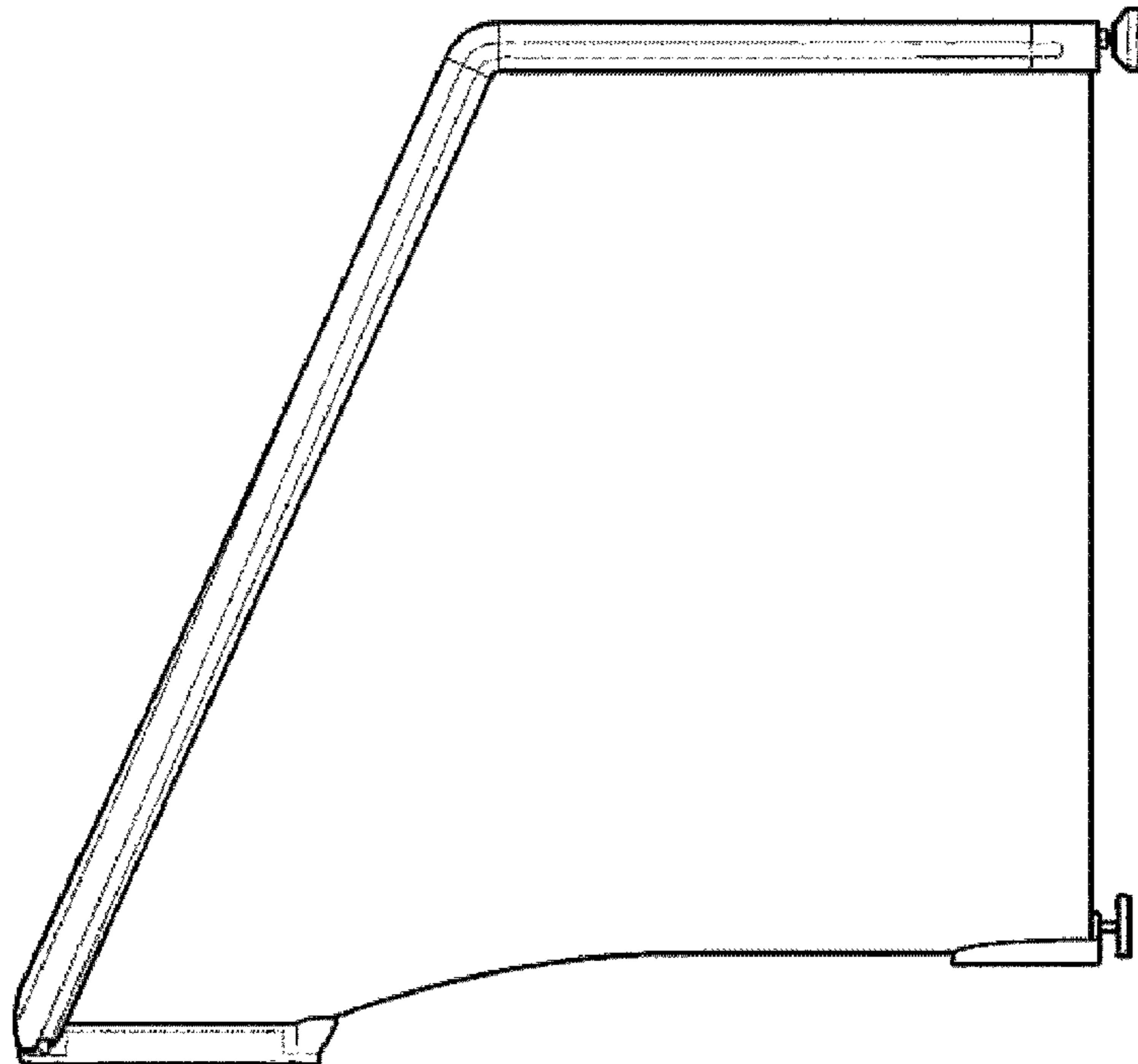


**FIG. 10**

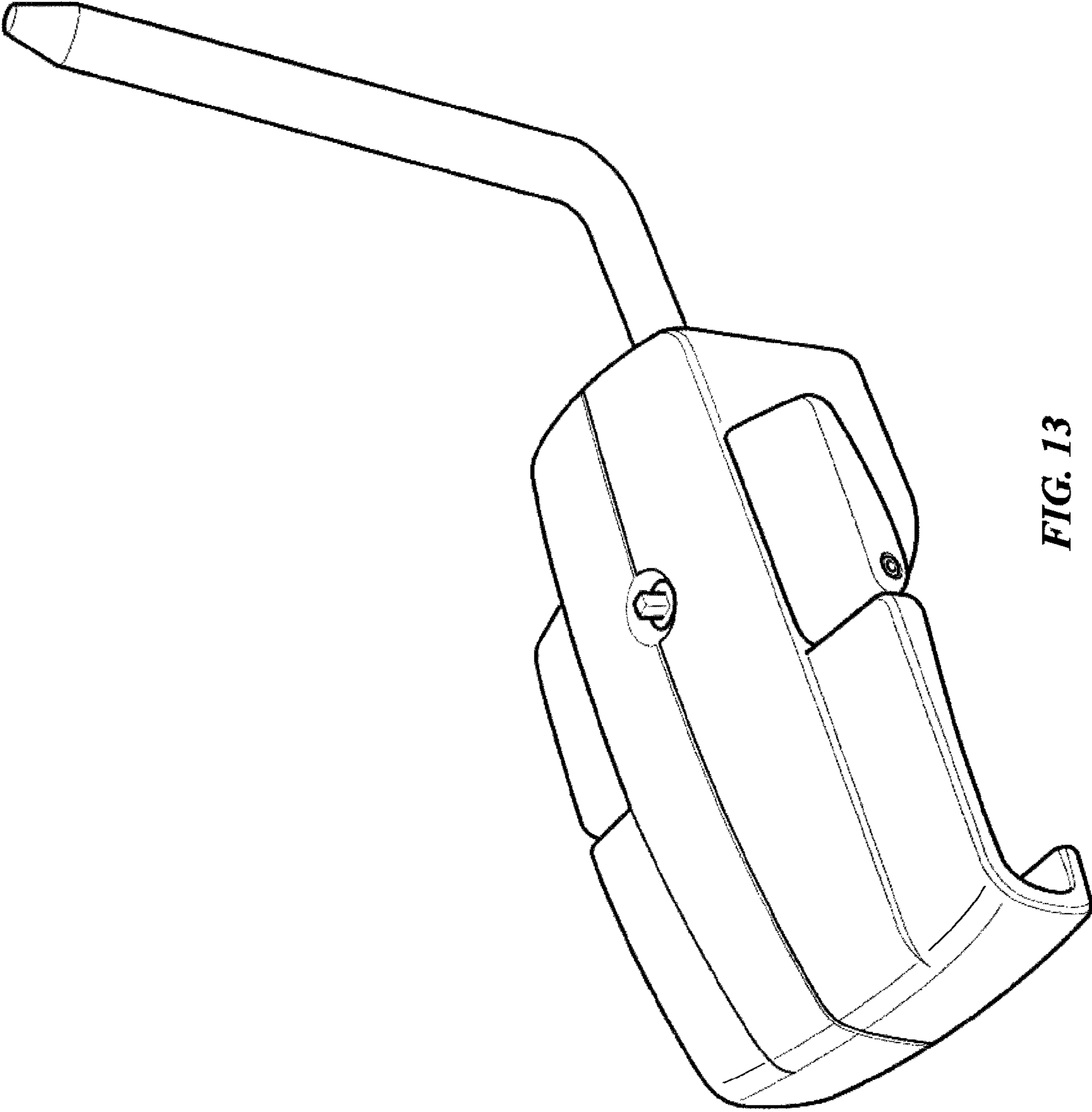




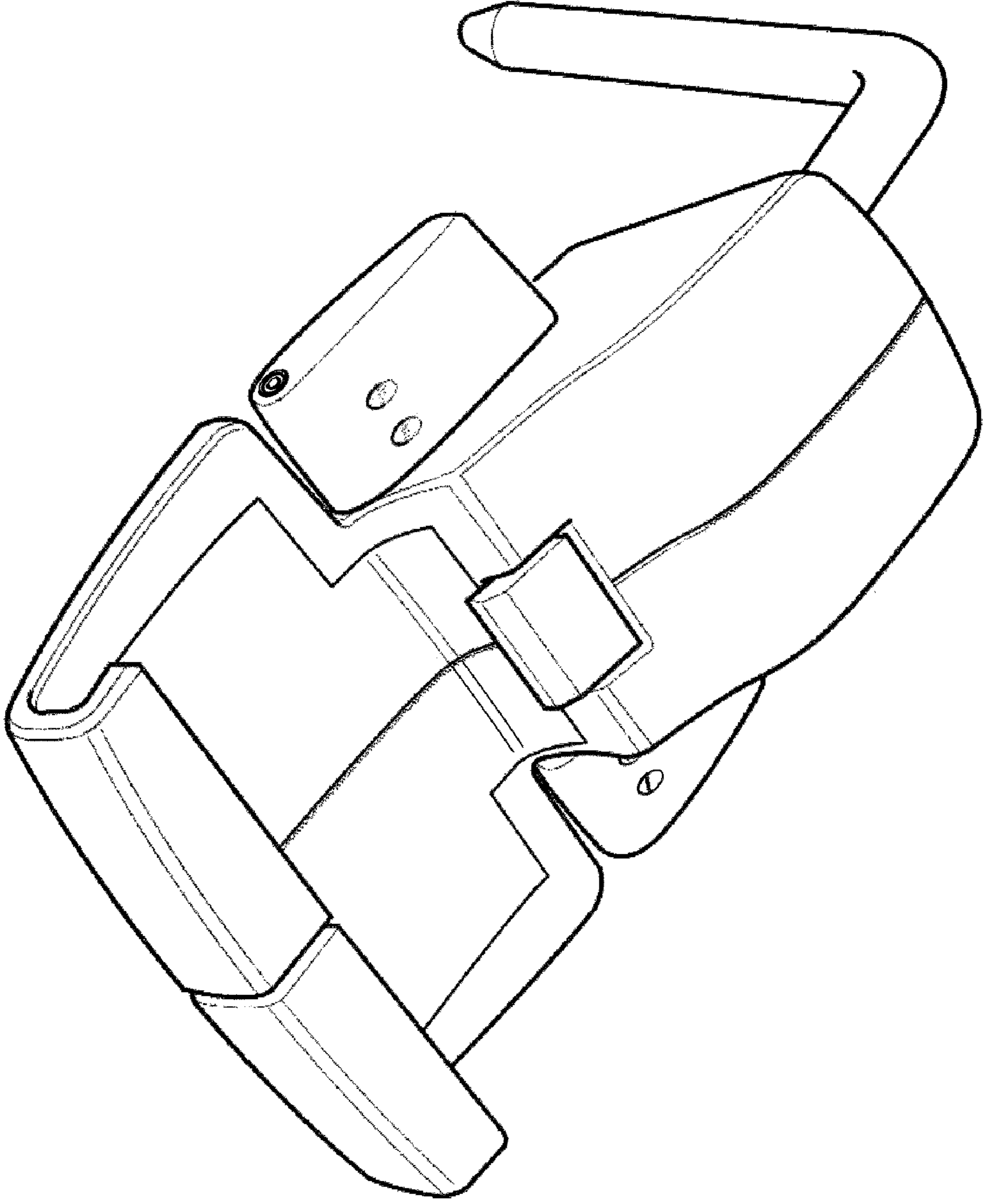
**FIG. 11**



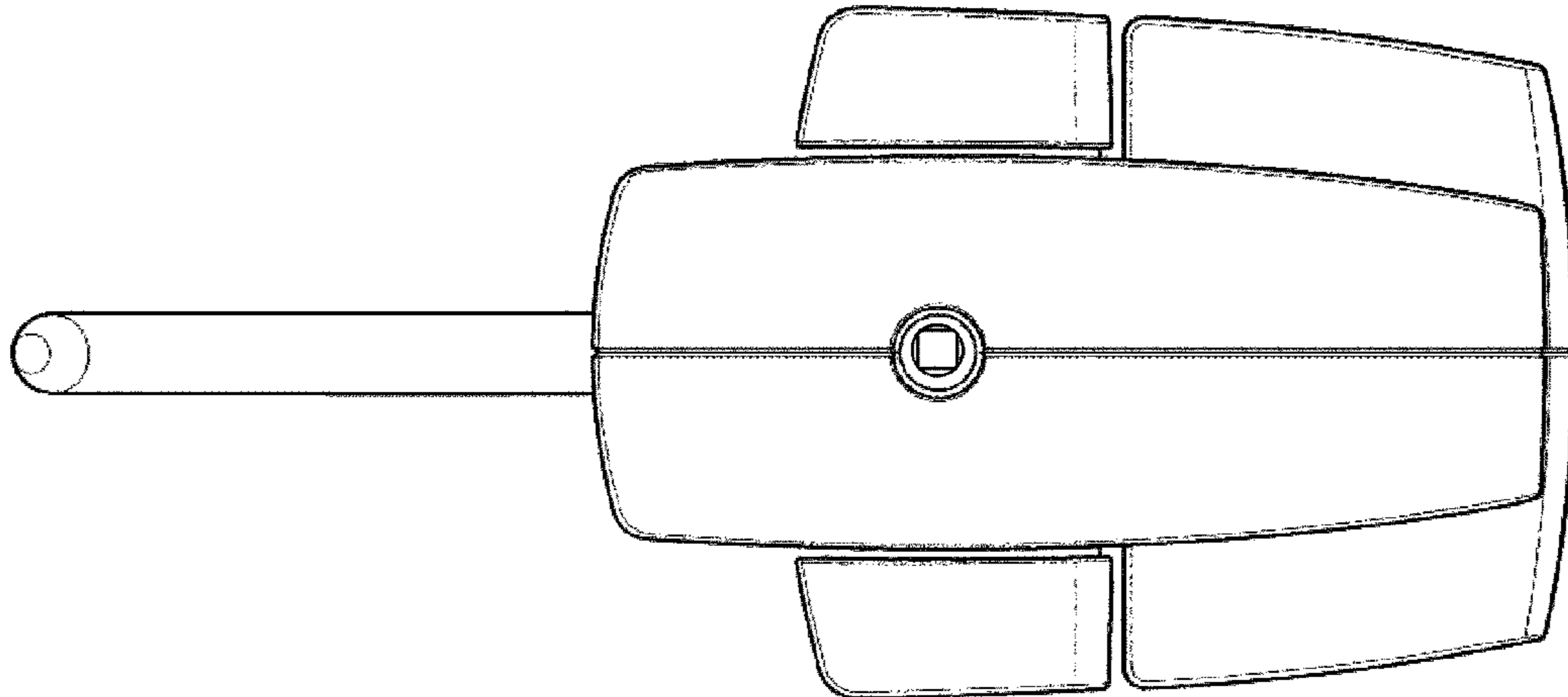
**FIG. 12**



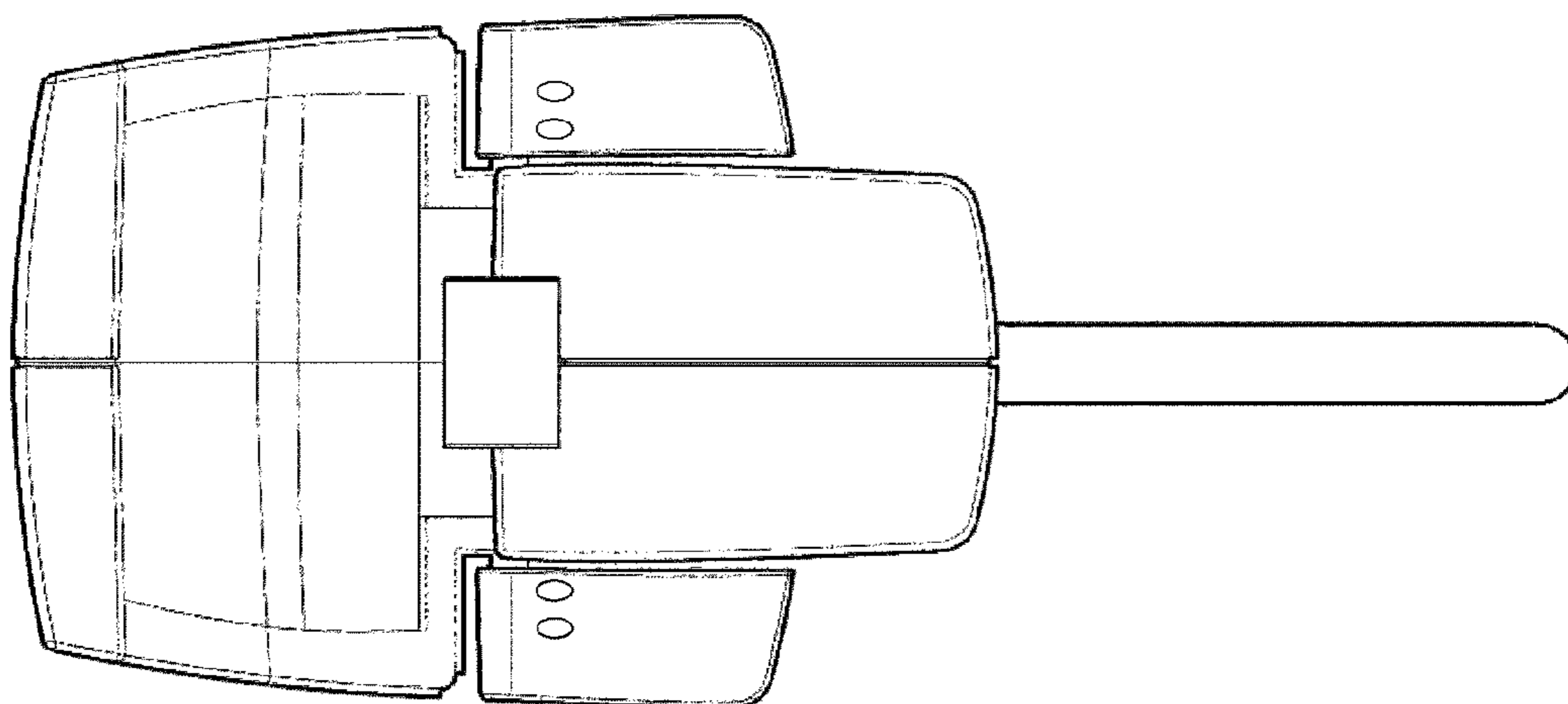
**FIG. 13**



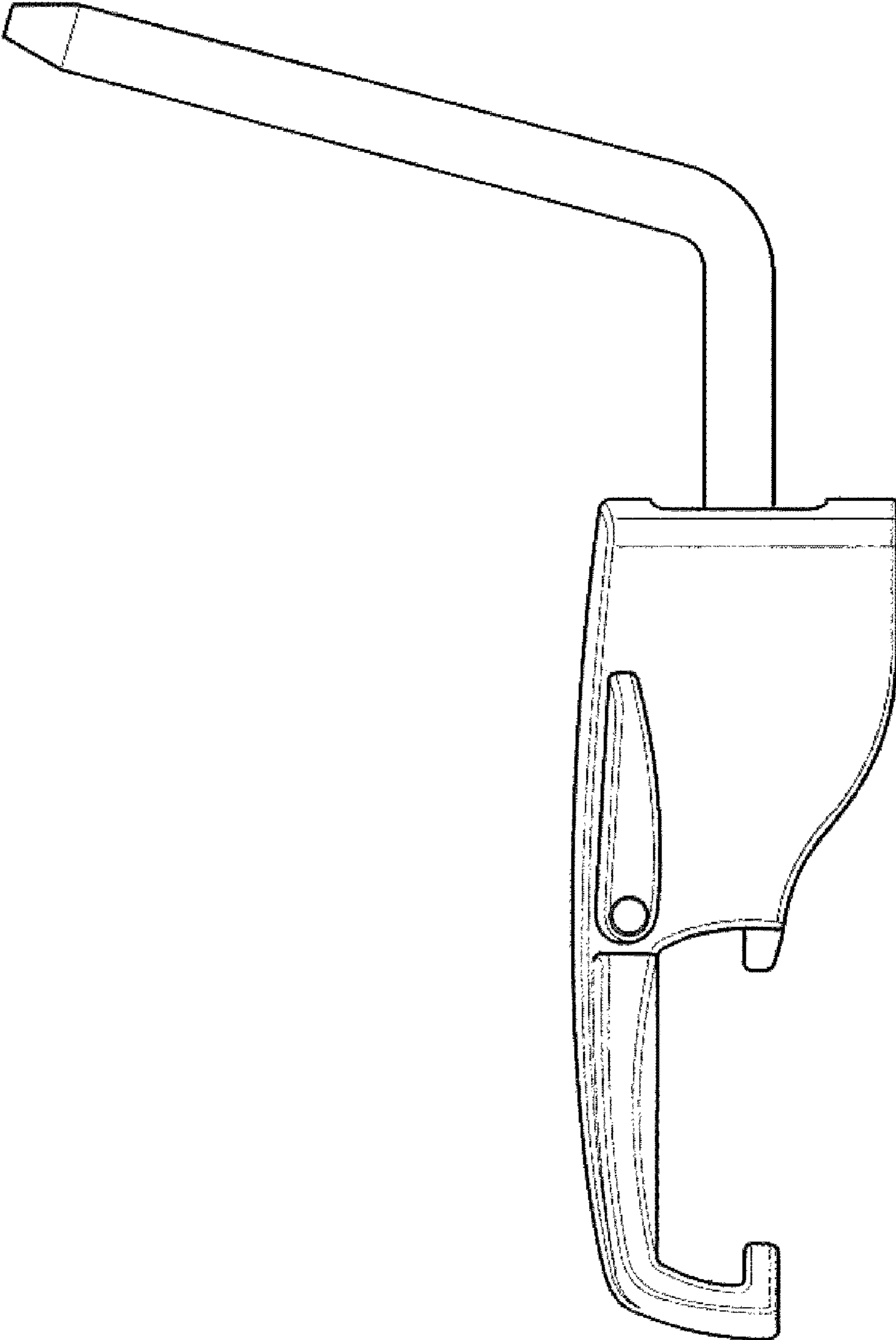
**FIG. 14**



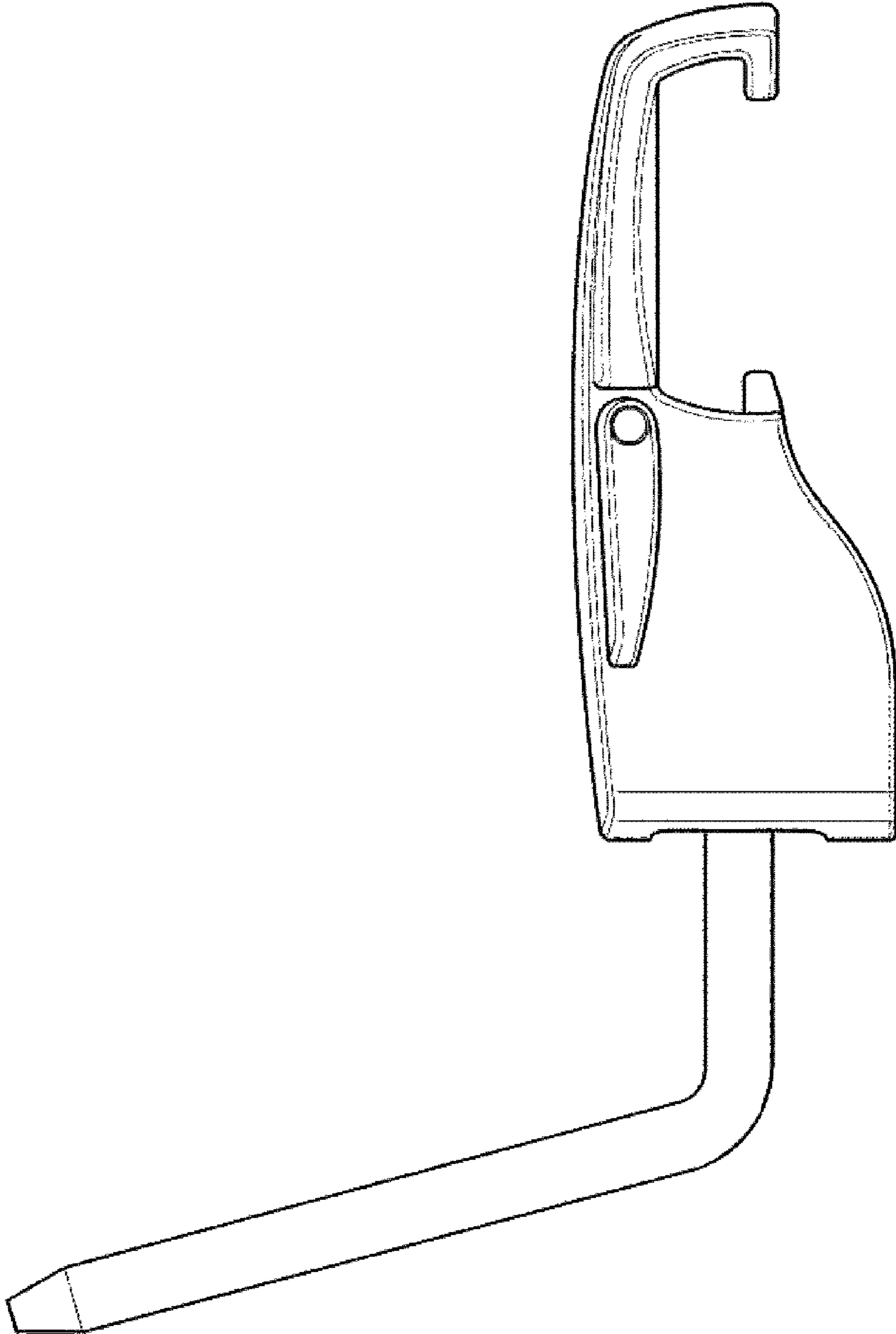
**FIG. 16**



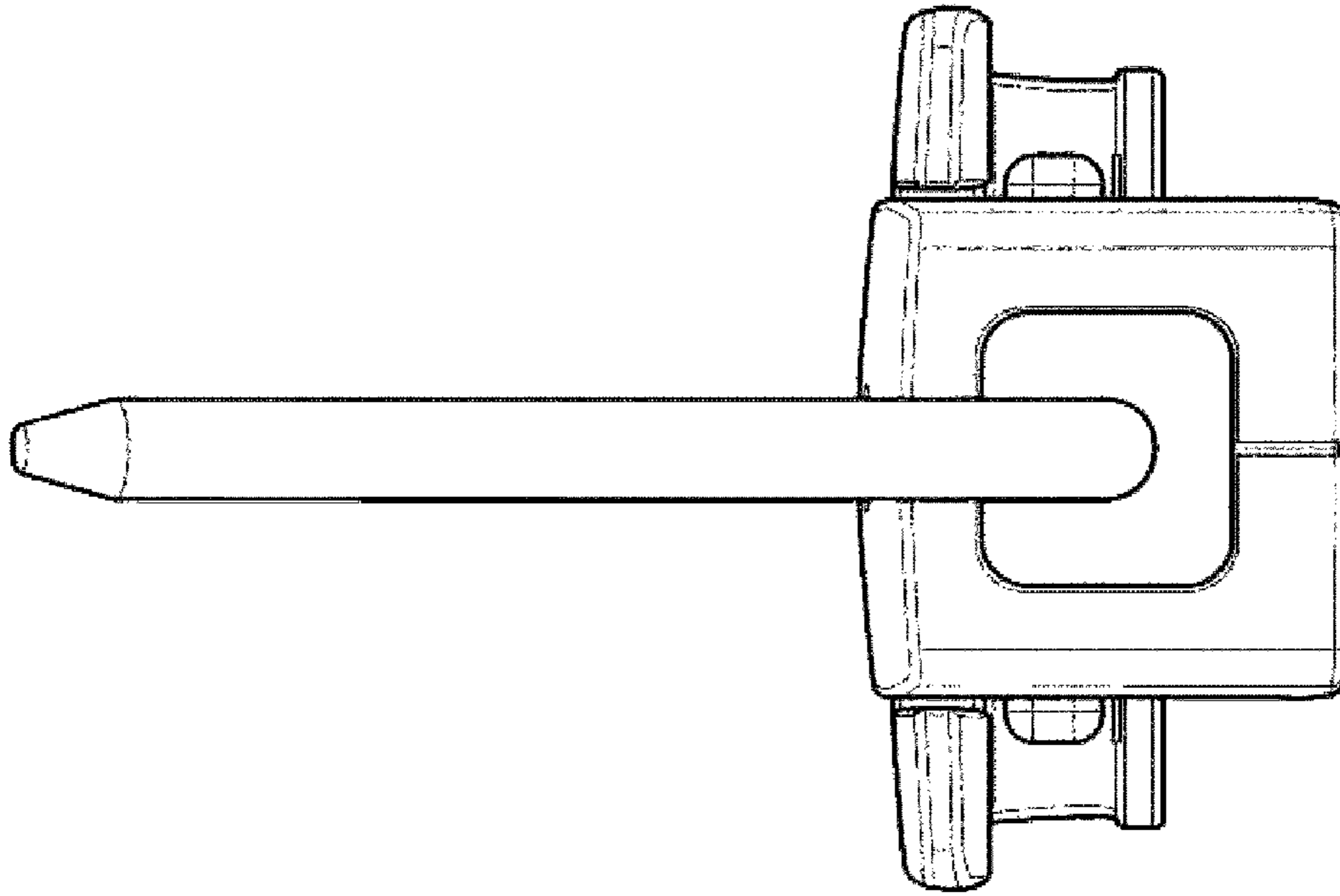
**FIG. 15**



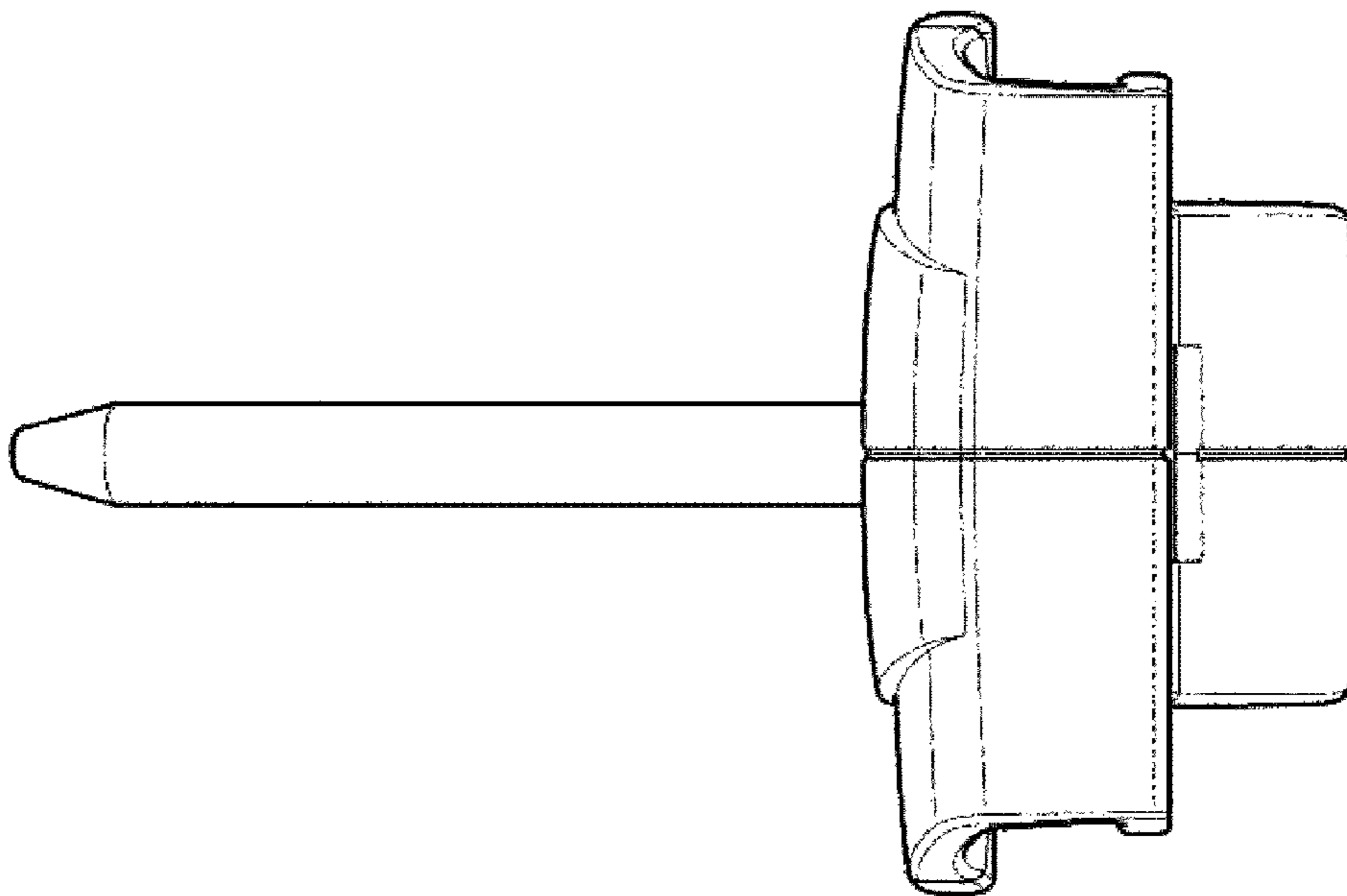
**FIG. 17**



**FIG. 18**



**FIG. 20**



**FIG. 19**