



US00D651812S

(12) **United States Design Patent**
Lee et al.

(10) **Patent No.:** **US D651,812 S**
(45) **Date of Patent:** **** Jan. 10, 2012**

(54) **DIGITAL PHOTO FRAME**

(75) Inventors: **Yong-Joo Lee**, Seoul (KR);
Byeong-Yong Song, Goyang-si (KR)

(73) Assignee: **Samsung Electronics Co., Ltd.**,
Suwon-Si (KR)

(**) Term: **14 Years**

(21) Appl. No.: **29/355,142**

(22) Filed: **Feb. 3, 2010**

(30) **Foreign Application Priority Data**

Sep. 30, 2009 (KR) 30-2009-0043244

(51) **LOC (9) Cl.** **06-07**

(52) **U.S. Cl.** **D6/300; D14/371**

(58) **Field of Classification Search** D6/300-314;
211/50; 248/281.11, 441.1, 442.2, 446, 460;
D20/10, 40, 29; D14/126, 130, 374, 203.8,
D14/337, 250, 146, 341, 496, 331, 128, 371,
D14/372, 448, 449, 450; 40/700-711, 714-717,
40/722, 721, 745, 748, 754, 755, 756, 790,
40/798

See application file for complete search history.

(56) **References Cited**

U.S. PATENT DOCUMENTS

D65,864 S * 10/1924 McKay D6/306
3,086,658 A * 4/1963 Palmer 211/50
4,783,036 A * 11/1988 Vossoughi 248/281.11
D335,310 S * 5/1993 Kurnow et al. D20/10

D369,473 S * 5/1996 Gluck D6/300
D539,851 S * 4/2007 Dixon et al. D20/40
D552,357 S * 10/2007 Fu D6/300
D586,566 S * 2/2009 Ko et al. D6/312
D596,238 S * 7/2009 Huang et al. D20/29
D597,974 S * 8/2009 Iseki D14/126
D615,515 S * 5/2010 Hwang D14/130
D615,542 S * 5/2010 Oikawa et al. D14/374
D619,560 S * 7/2010 Ho D14/203.8
D622,067 S * 8/2010 McDonough D6/300
D625,929 S * 10/2010 Mitchell et al. D6/308

* cited by examiner

Primary Examiner — Philip S Hyder

Assistant Examiner — Sydney Buffalow

(74) *Attorney, Agent, or Firm* — Staas & Halsey LLP

(57) **CLAIM**

The ornamental design for a digital photo frame, as shown and described.

DESCRIPTION

FIG. 1 is a front perspective view of a digital photo frame; FIG. 2 is a front view of the digital photo frame of FIG. 1; FIG. 3 is a rear view of the digital photo frame of FIG. 1; FIG. 4 is a left-side view of the digital photo frame of FIG. 1; FIG. 5 is a right-side view of the digital photo frame of FIG. 1; FIG. 6 is a top plan view of the digital photo frame of FIG. 1; FIG. 7 is a bottom plan view of the digital photo frame of FIG. 1; and, FIG. 8 is a front closed perspective view of the digital photo frame of FIG. 1.

1 Claim, 6 Drawing Sheets

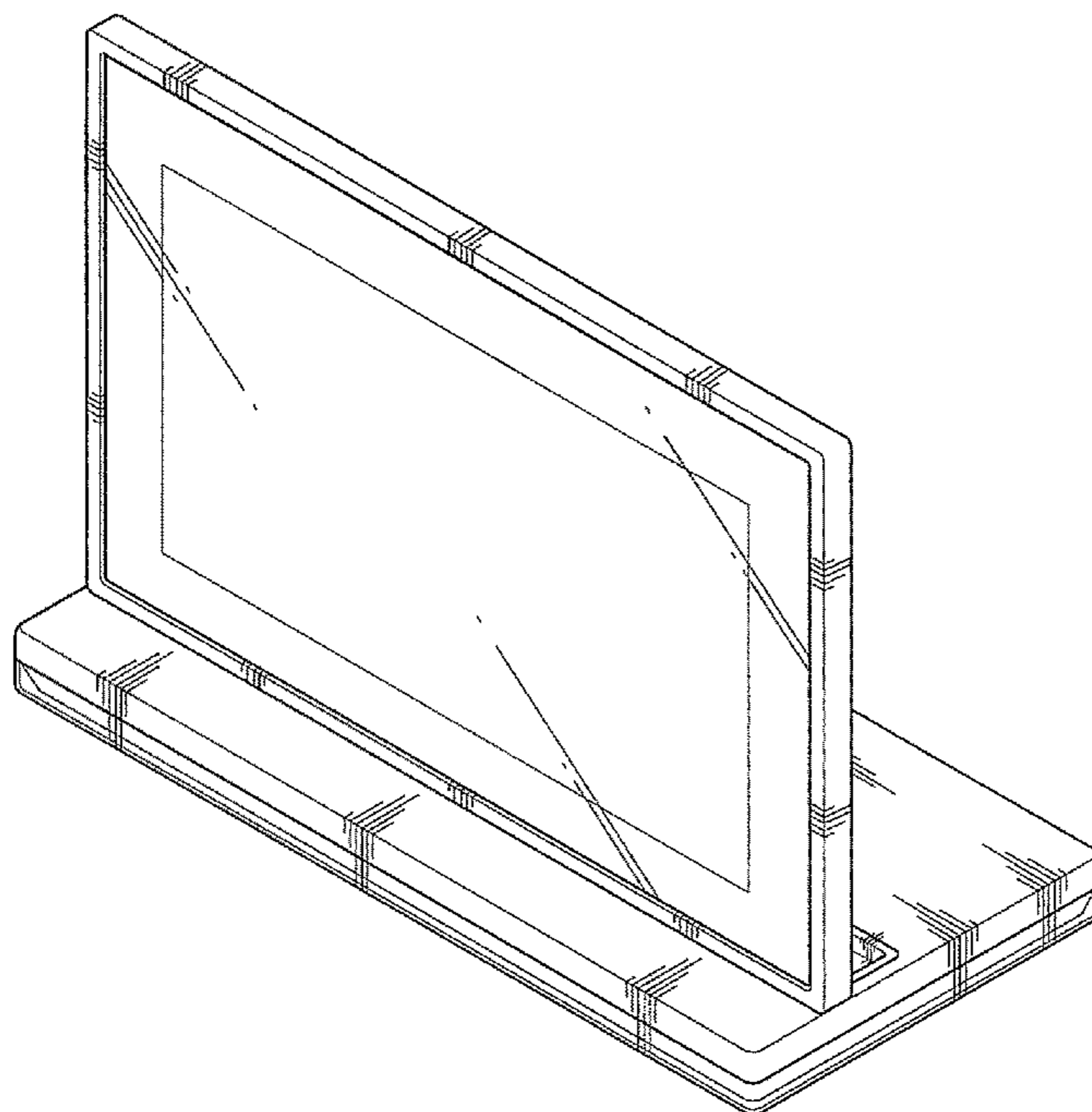


FIG. 1

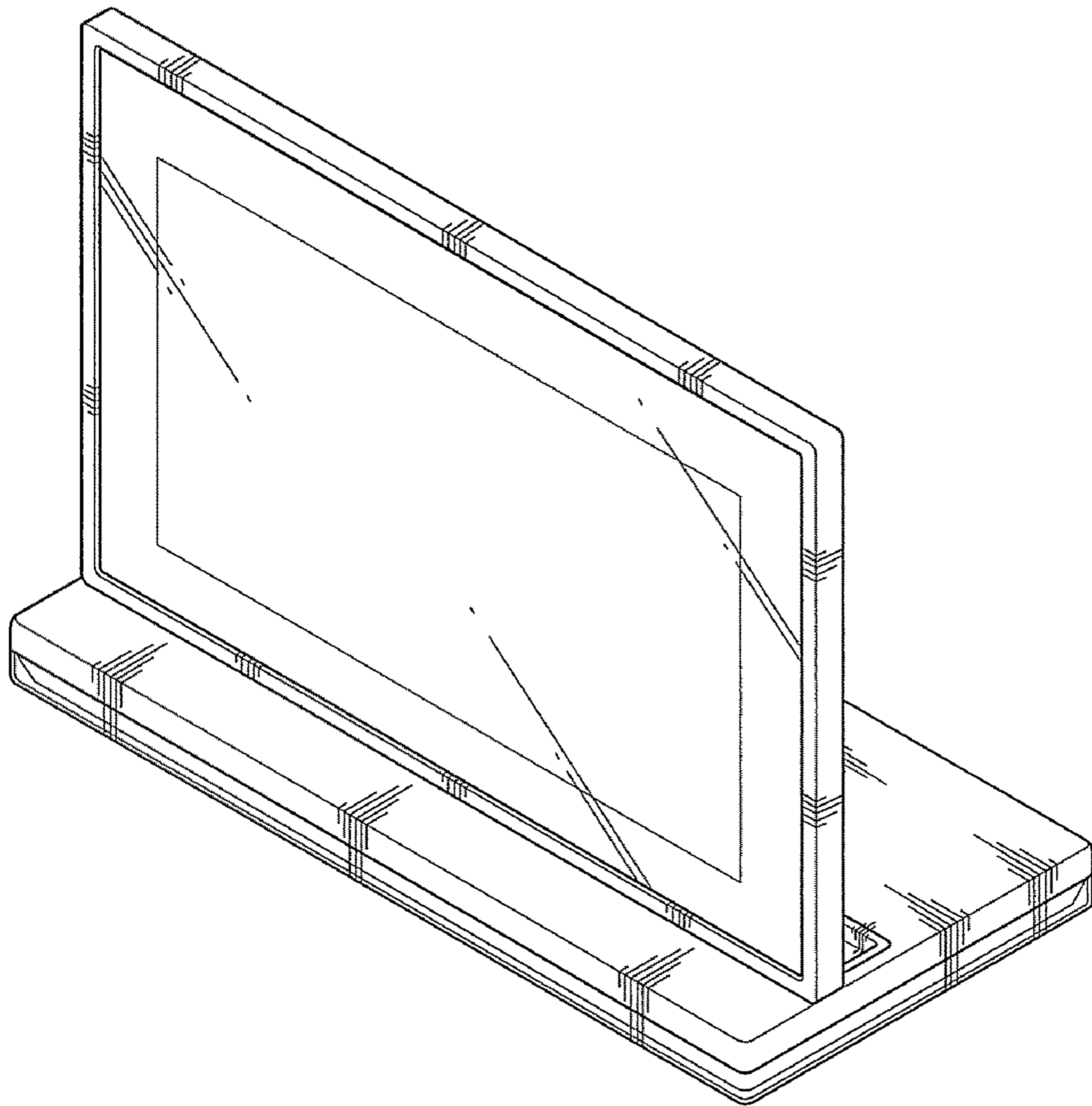


FIG. 2

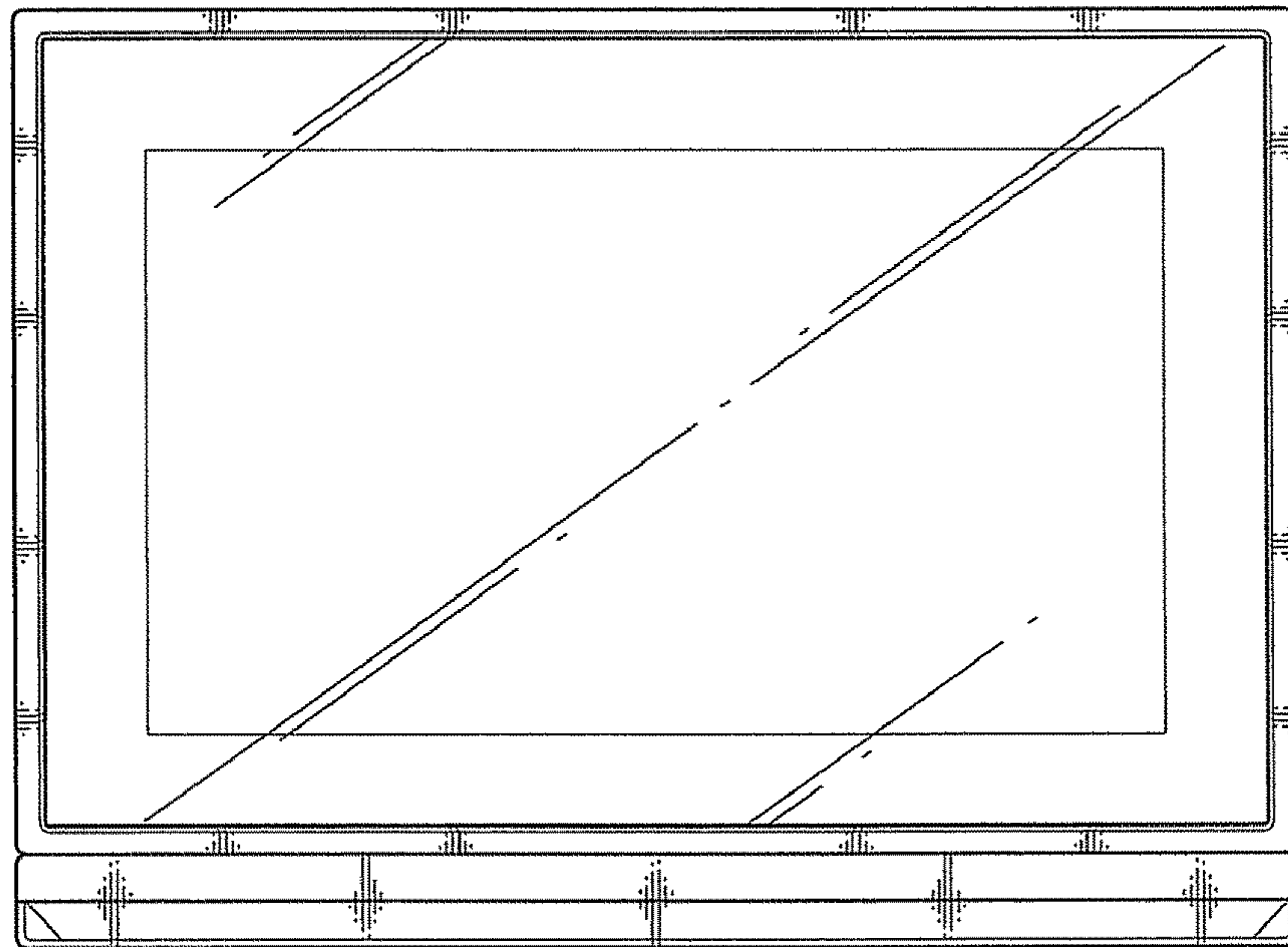


FIG. 3

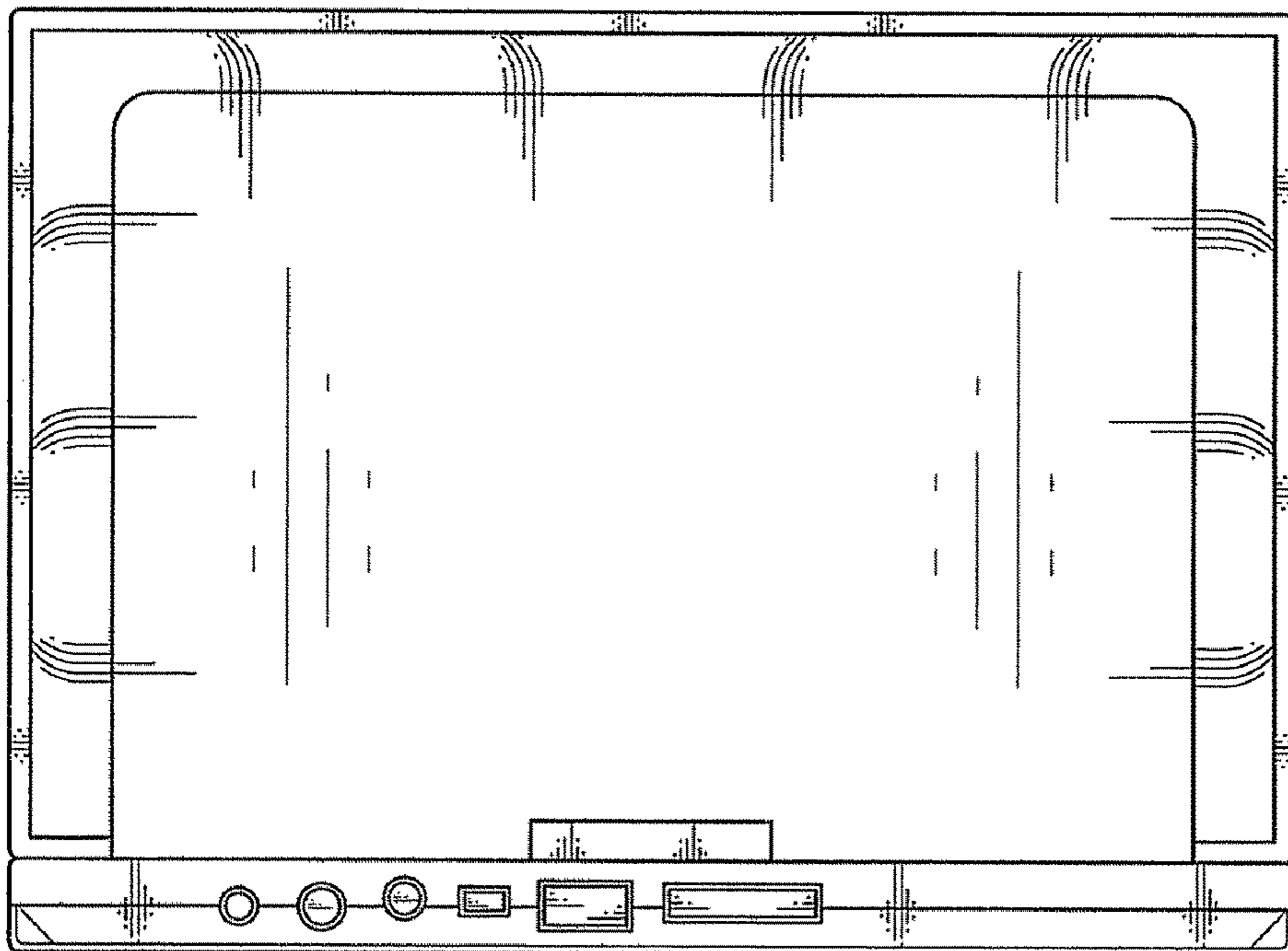


FIG.4

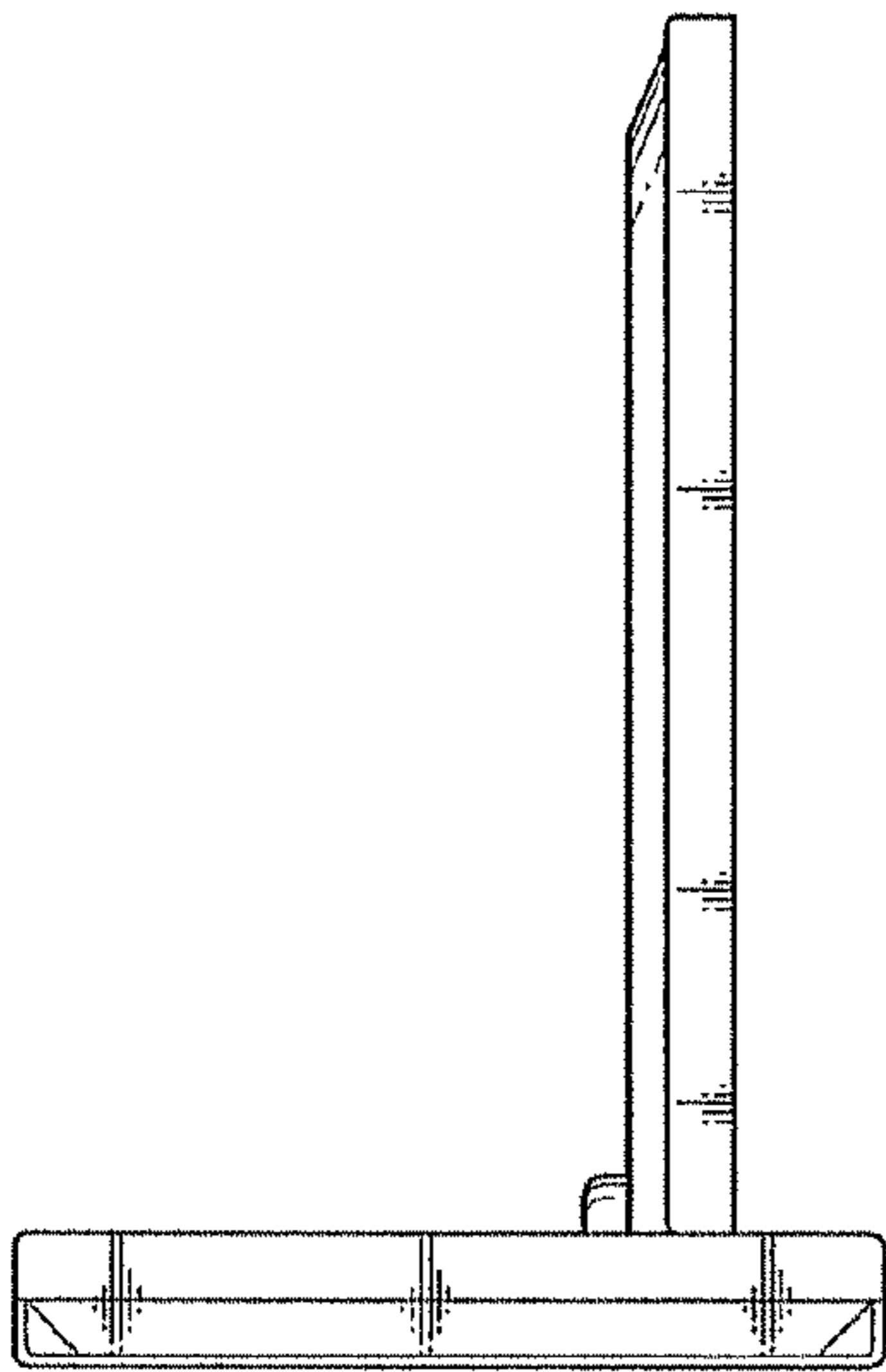


FIG.5

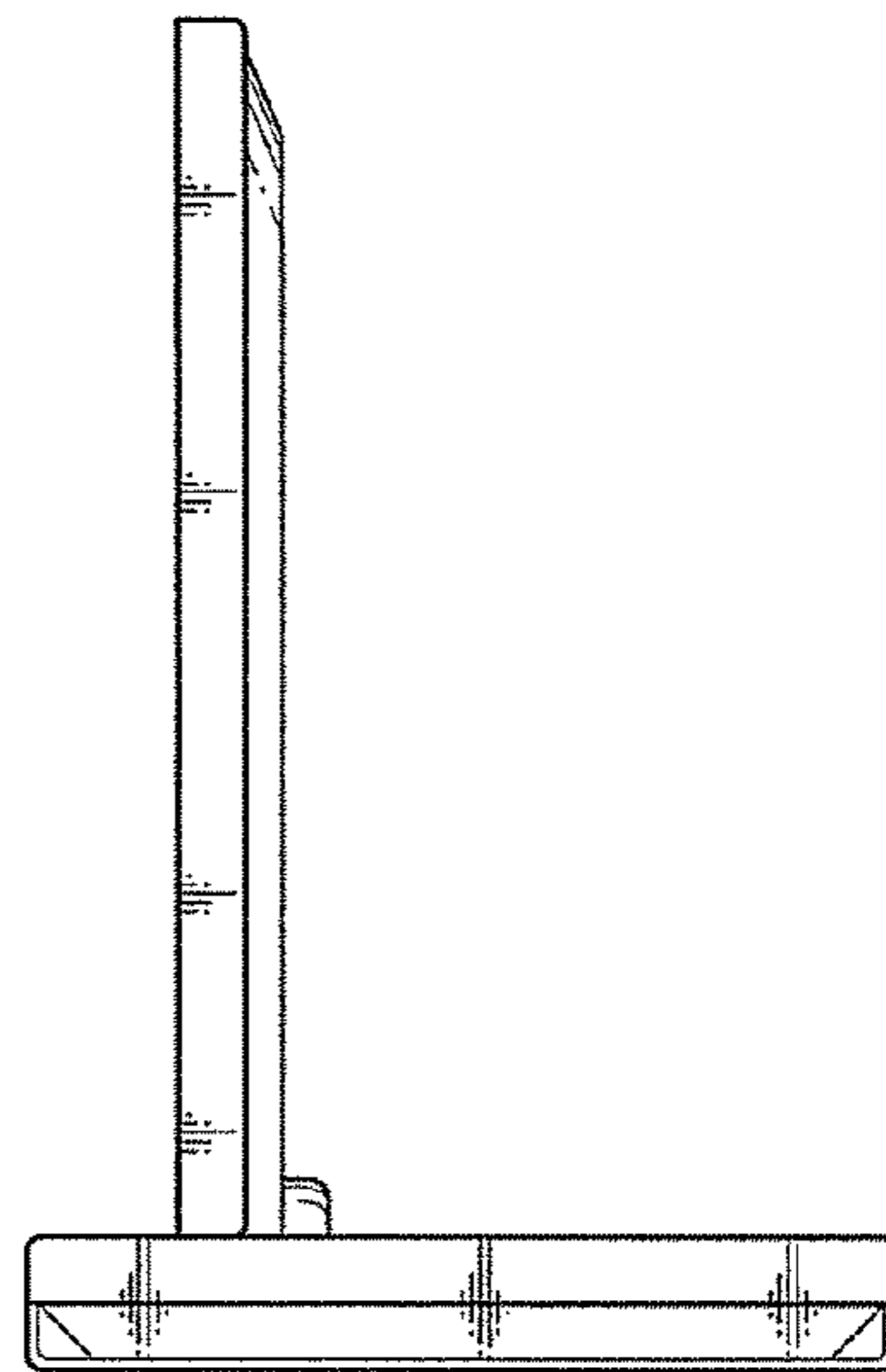


FIG. 6

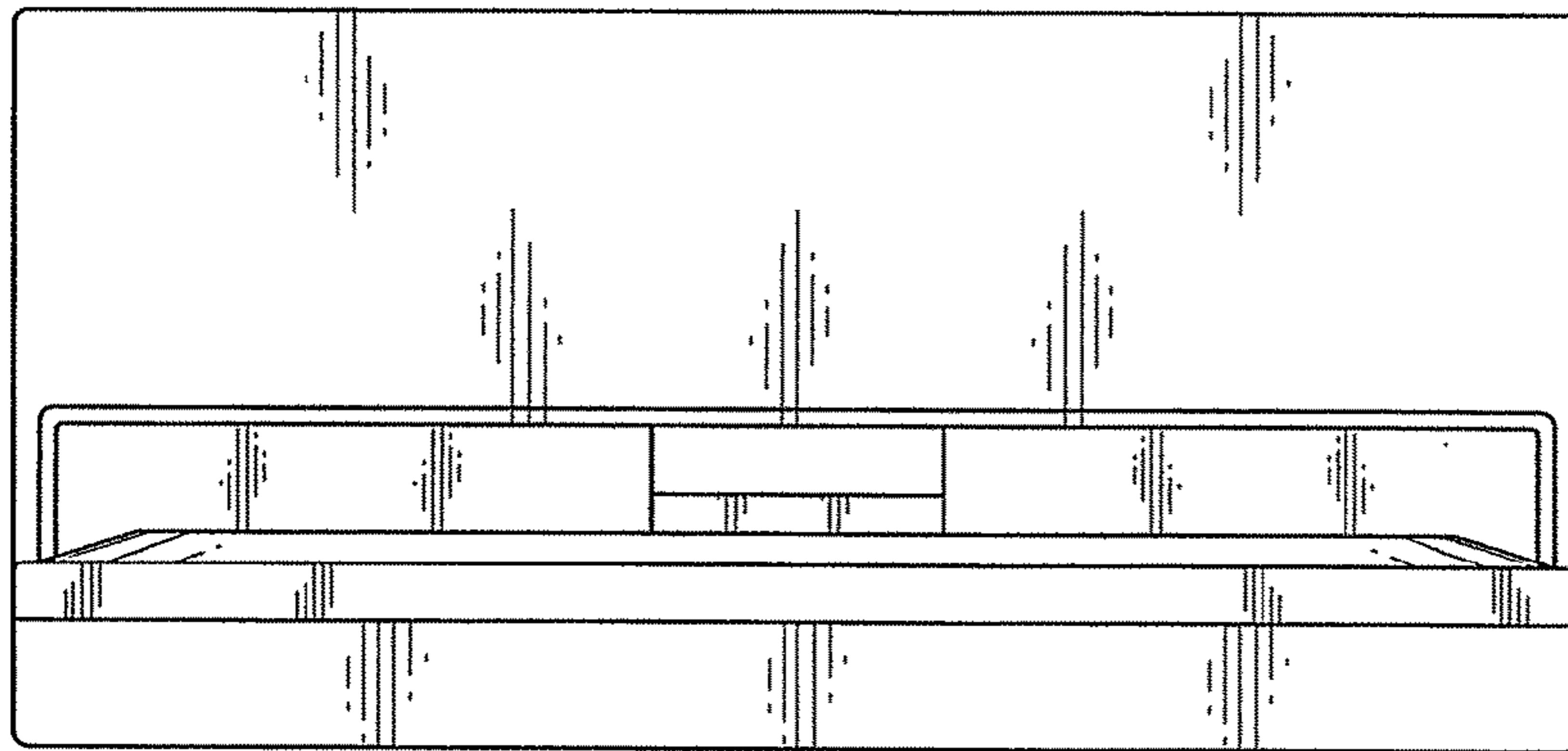


FIG. 7

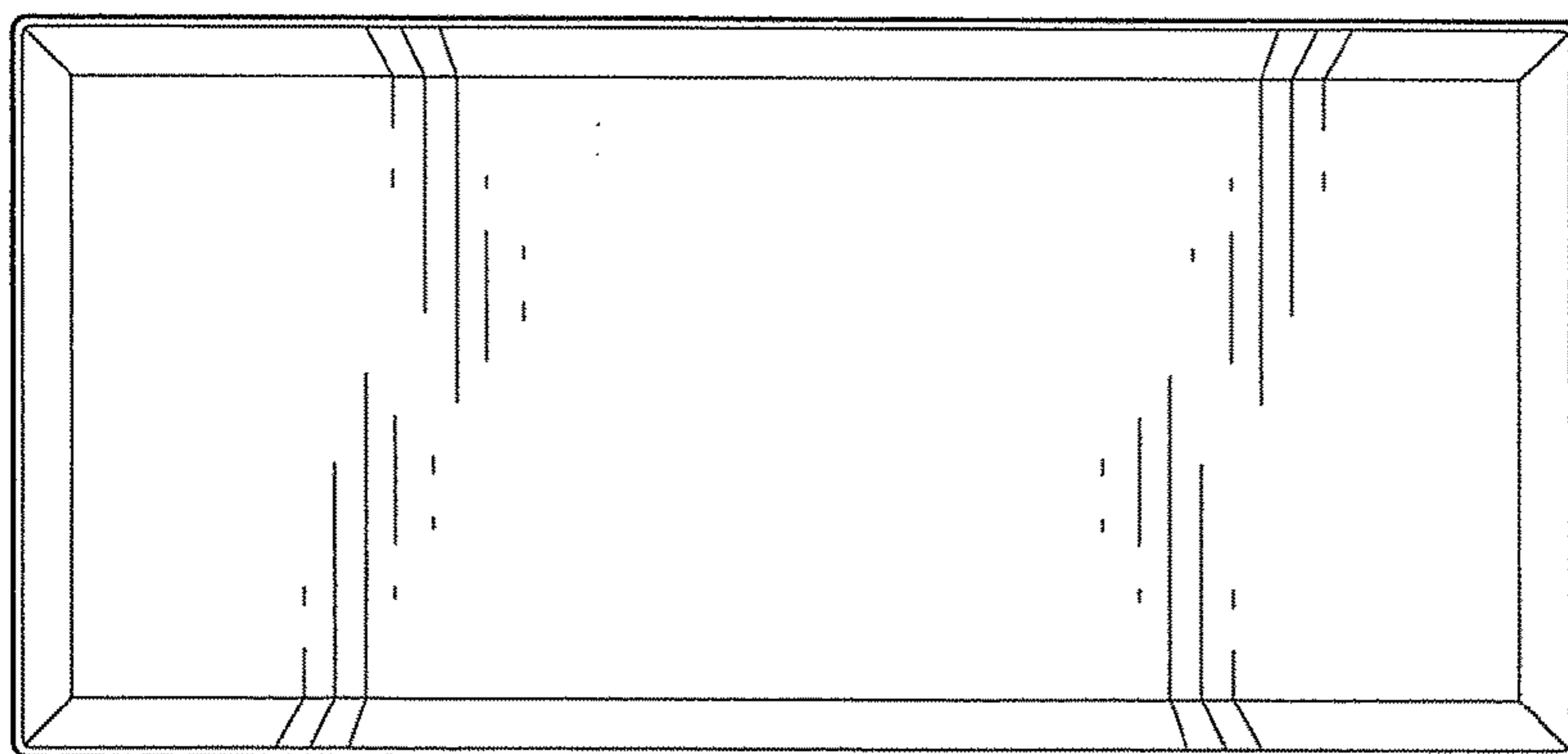


FIG. 8

