



US00D651808S

(12) **United States Design Patent**
Nguyen et al.

(10) **Patent No.:** **US D651,808 S**
(45) **Date of Patent:** **** Jan. 10, 2012**

(54) **COMBINATION TOOTHBRUSH, FLOSS DISPENSER AND TONGUE SCRAPER**

(75) Inventors: **Quang Nguyen**, Harvey, LA (US); **Nam Hai Nguyen**, Marrero, LA (US); **Nam Hoai Le-Nguyen**, Harvey, LA (US)

(73) Assignee: **Mizaru Enterprises, LLC**, Harvey, LA (US)

(**) Term: **14 Years**

(21) Appl. No.: **29/396,624**

(22) Filed: **Jul. 1, 2011**

(51) **LOC (9) Cl.** **04-02**

(52) **U.S. Cl.** **D4/108**

(58) **Field of Classification Search** D4/104-112,
D4/118, 121, 134, 138; D28/65, 66, 68;
15/167.1, 167.2; 132/308-311, 323, 324,
132/327, 328; 606/161

See application file for complete search history.

(56) **References Cited**

U.S. PATENT DOCUMENTS

D122,815	S *	10/1940	Crosby	D4/108
5,438,726	A *	8/1995	Leite	15/105
5,779,475	A *	7/1998	Patel	433/141
5,915,433	A *	6/1999	Hybler	15/111
D420,804	S *	2/2000	Juhlin et al.	D4/104
6,273,719	B1 *	8/2001	Whitman	433/141
6,363,949	B1 *	4/2002	Brown	132/325
D515,817	S *	2/2006	Siemer	D4/108
7,201,172	B2 *	4/2007	Nanda	132/309
D571,470	S *	6/2008	Jansheski	D24/147
2004/0134510	A1 *	7/2004	van Vilsteren et al.	132/309
2010/0186182	A1 *	7/2010	Avila et al.	15/167.1

FOREIGN PATENT DOCUMENTS

KR 30-0412005 S * 4/2006

* cited by examiner

Primary Examiner — Melanie H Tung

Assistant Examiner — Lavone D Tabor

(74) *Attorney, Agent, or Firm* — Taylor M. Norton

(57) **CLAIM**

The ornamental design for a combination toothbrush, floss dispenser, and tongue scraper, as shown and described.

DESCRIPTION

FIG. 1 is a perspective view of a combination toothbrush, floss dispenser, and tongue scraper showing my new design, with a section of handle shown in an open position;

FIG. 2 is a front elevation view thereof;

FIG. 3 is a rear elevation view thereof;

FIG. 4 is a left side elevation view thereof;

FIG. 5 is a right side elevation view thereof;

FIG. 6 is a top plan view thereof;

FIG. 7 is a bottom plan view thereof;

FIG. 8 is a perspective view thereof, with the section of the handle shown in the closed position;

FIG. 9 is a front elevation view of the design as shown in FIG. 8;

FIG. 10 is a rear elevation view of the design as shown in FIG. 8;

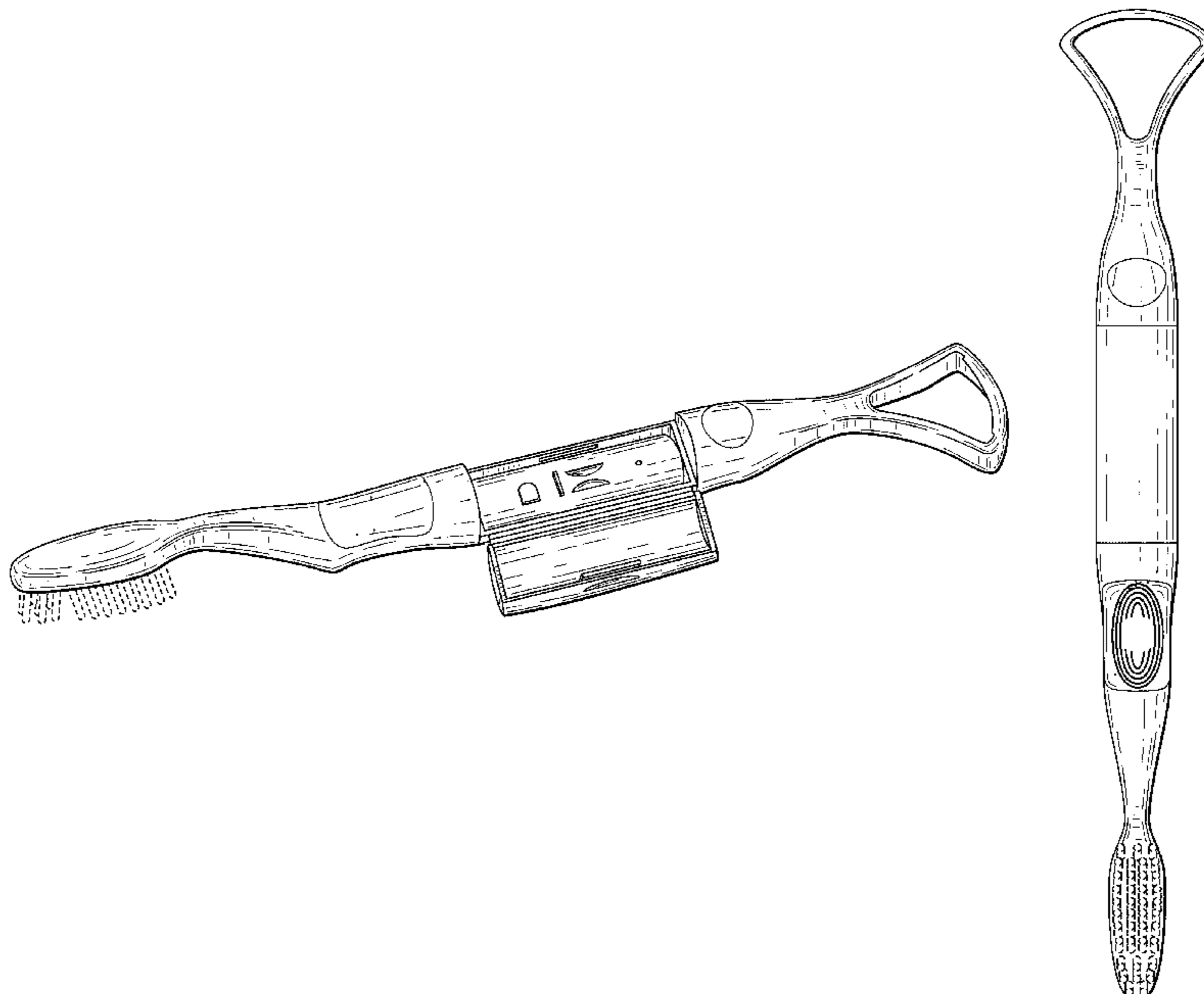
FIG. 11 is a left side elevation view of the design as shown in FIG. 8;

FIG. 12 is a right side elevation view of the design as shown in FIG. 8;

FIG. 13 is a top plan view of the design as shown in FIG. 8; and,

FIG. 14 is a bottom plan view of the design as shown in FIG. 8.

1 Claim, 12 Drawing Sheets



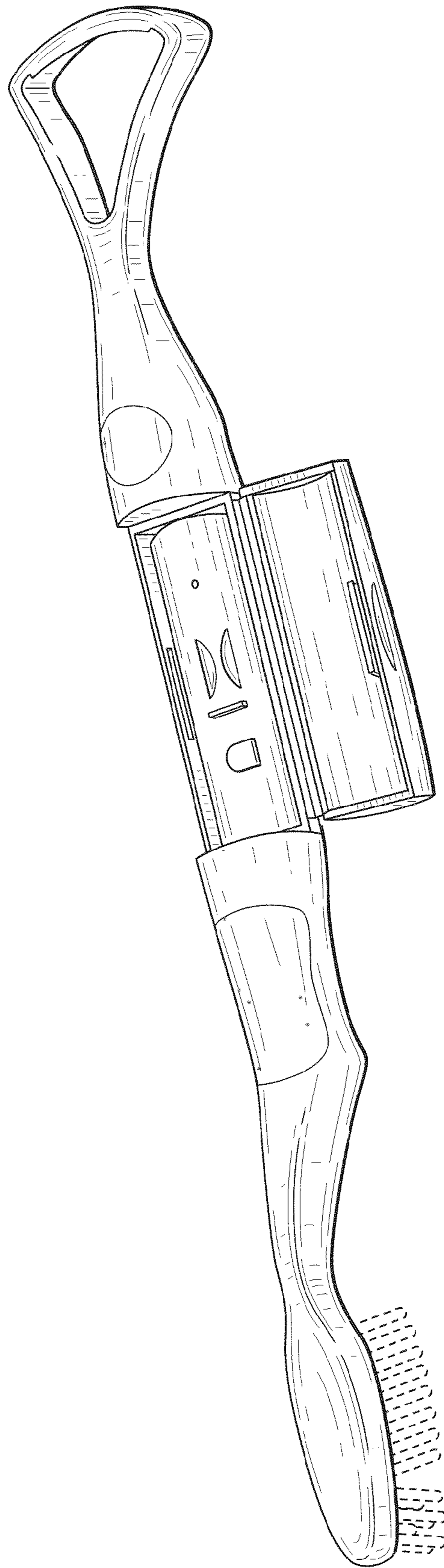


FIG. 1

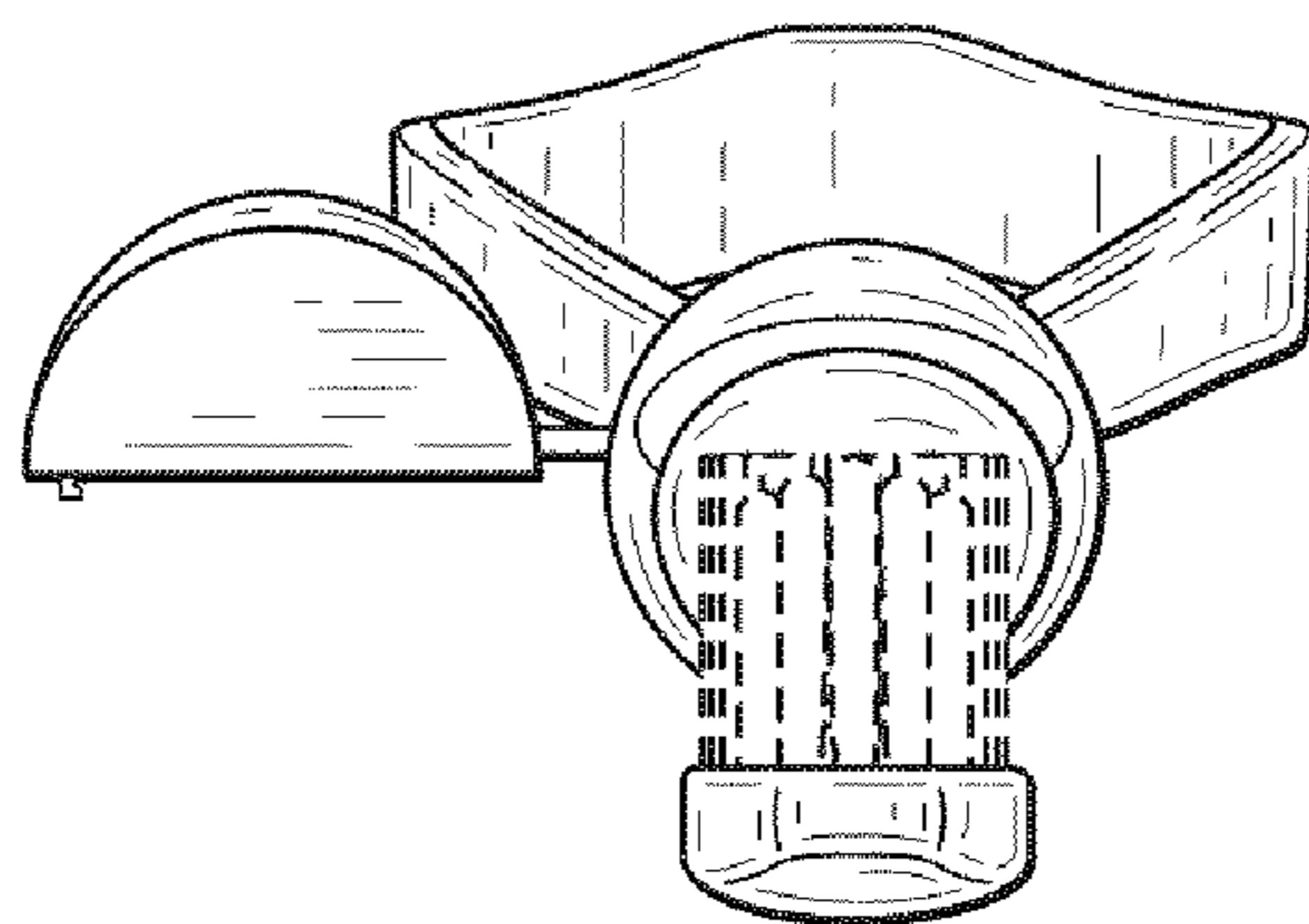


FIG. 2

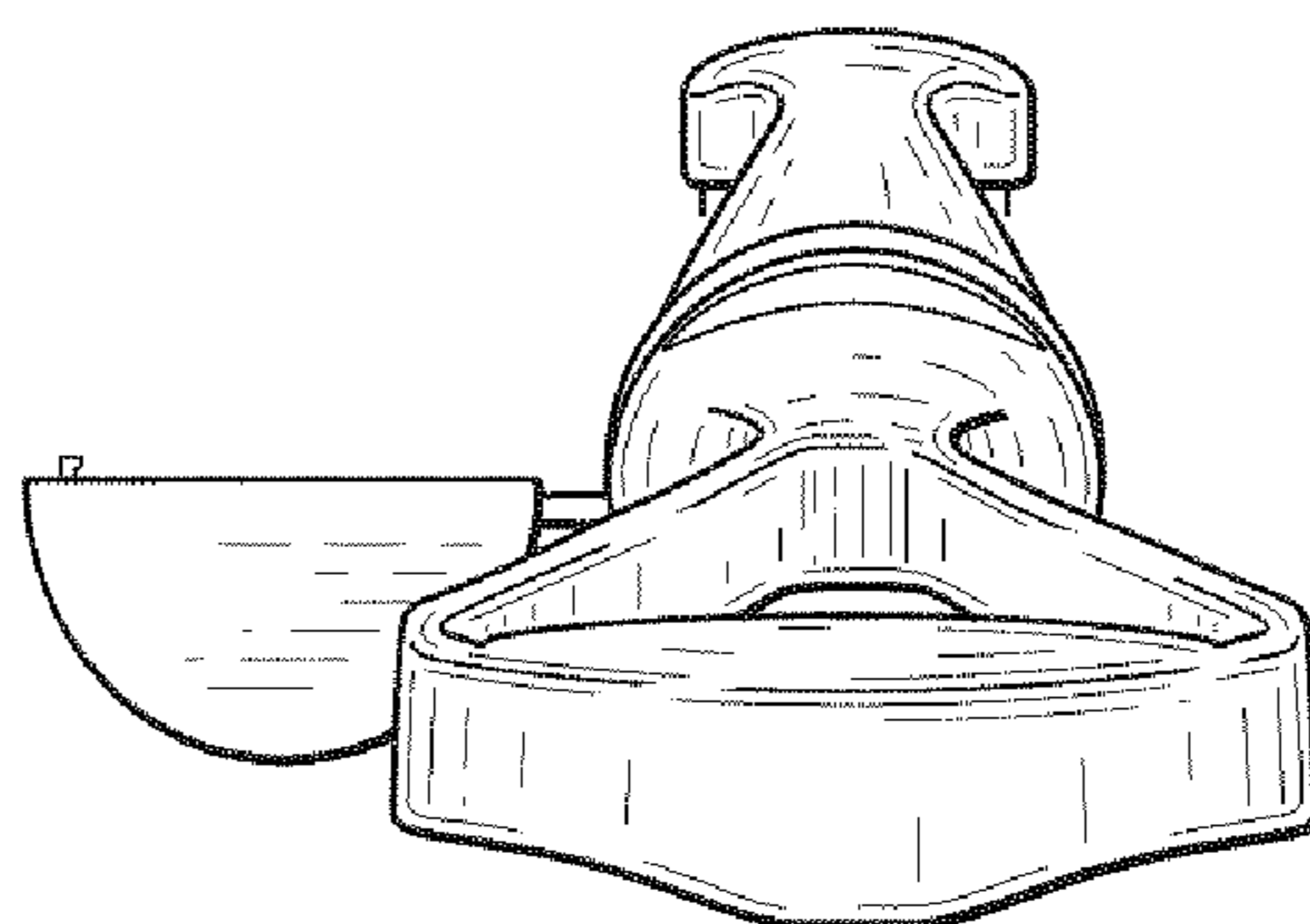


FIG. 3

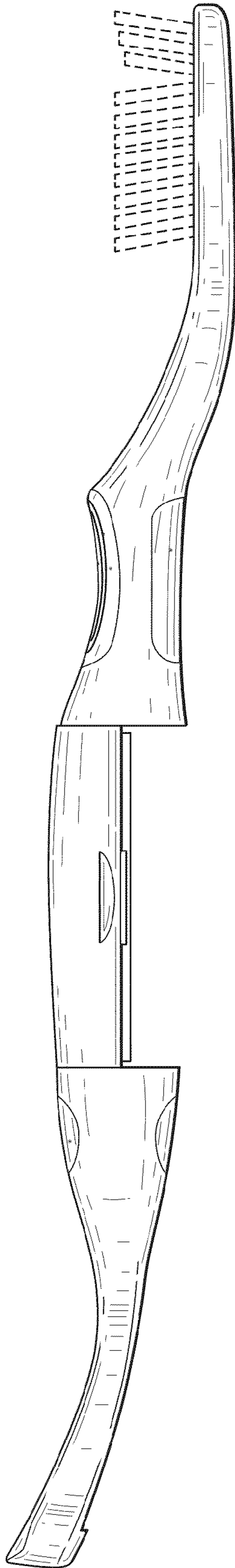


FIG. 4

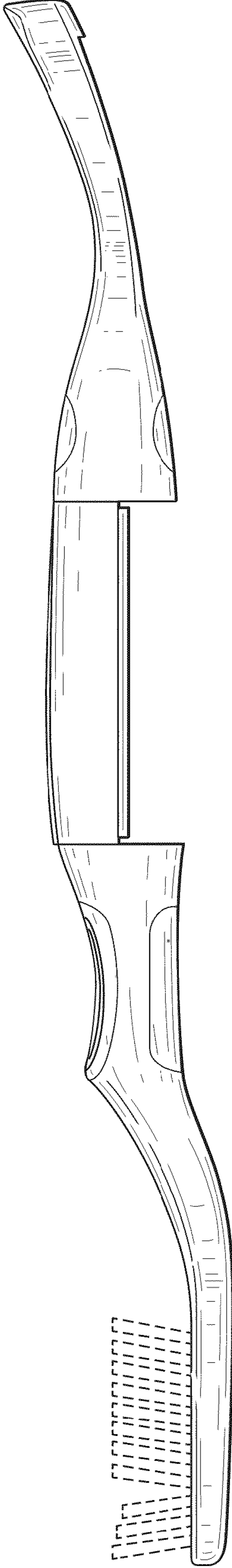


FIG. 5

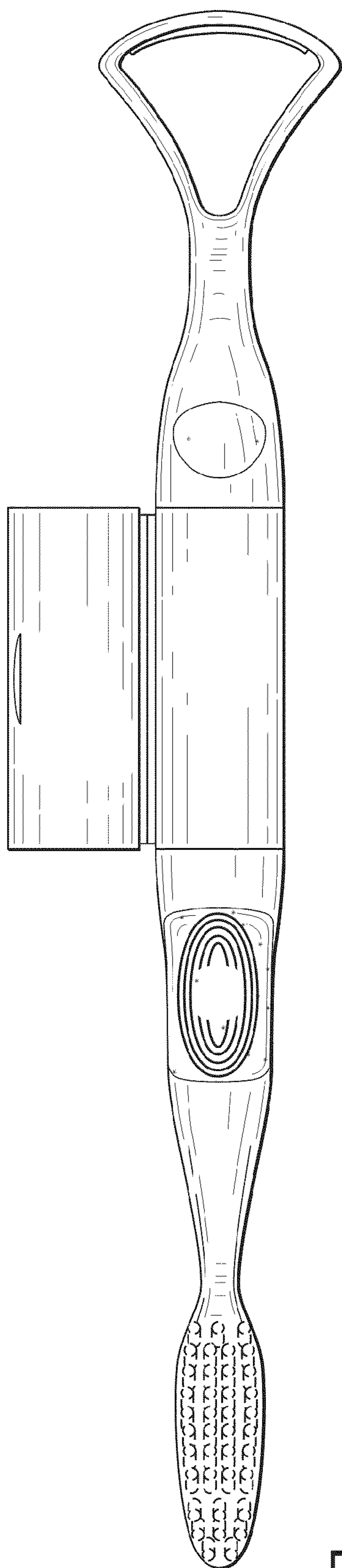


FIG. 6

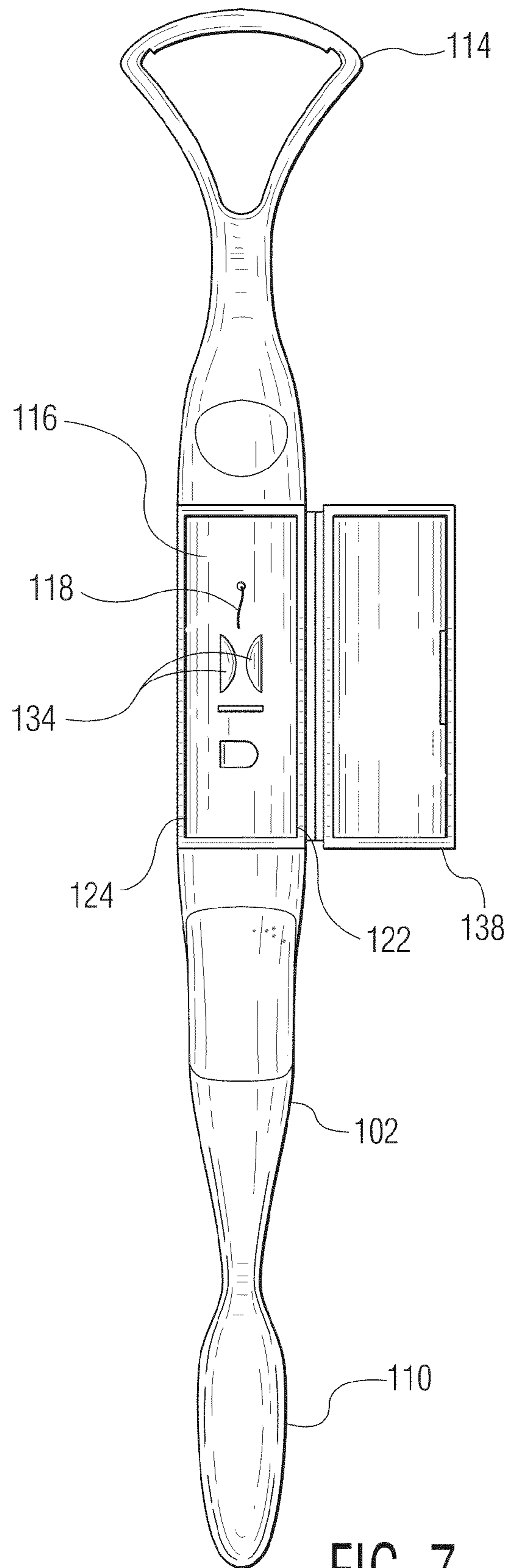


FIG. 7

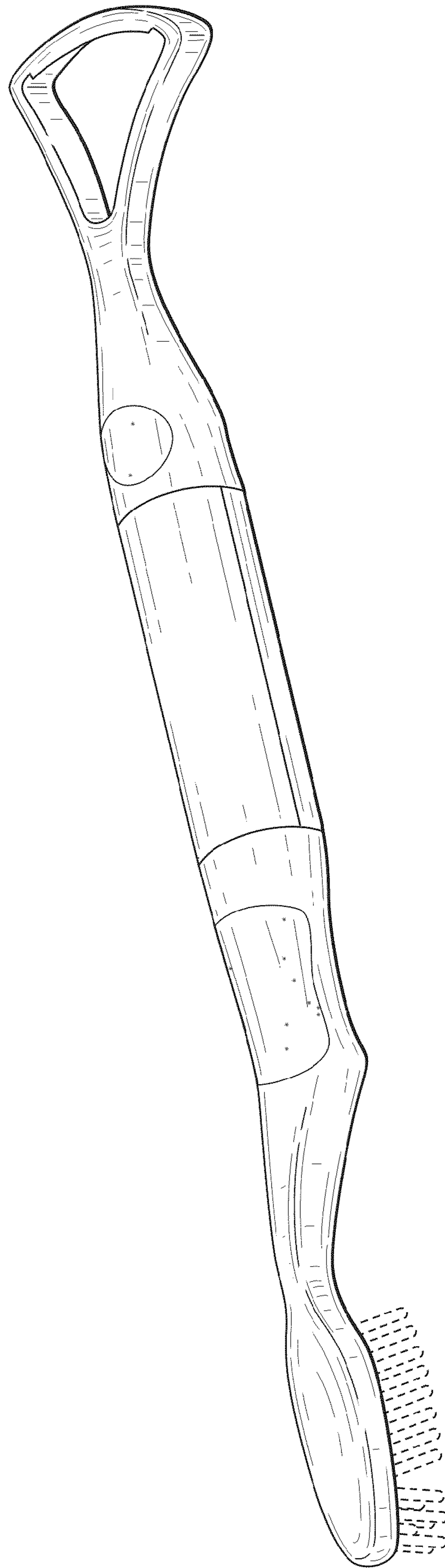


FIG. 8

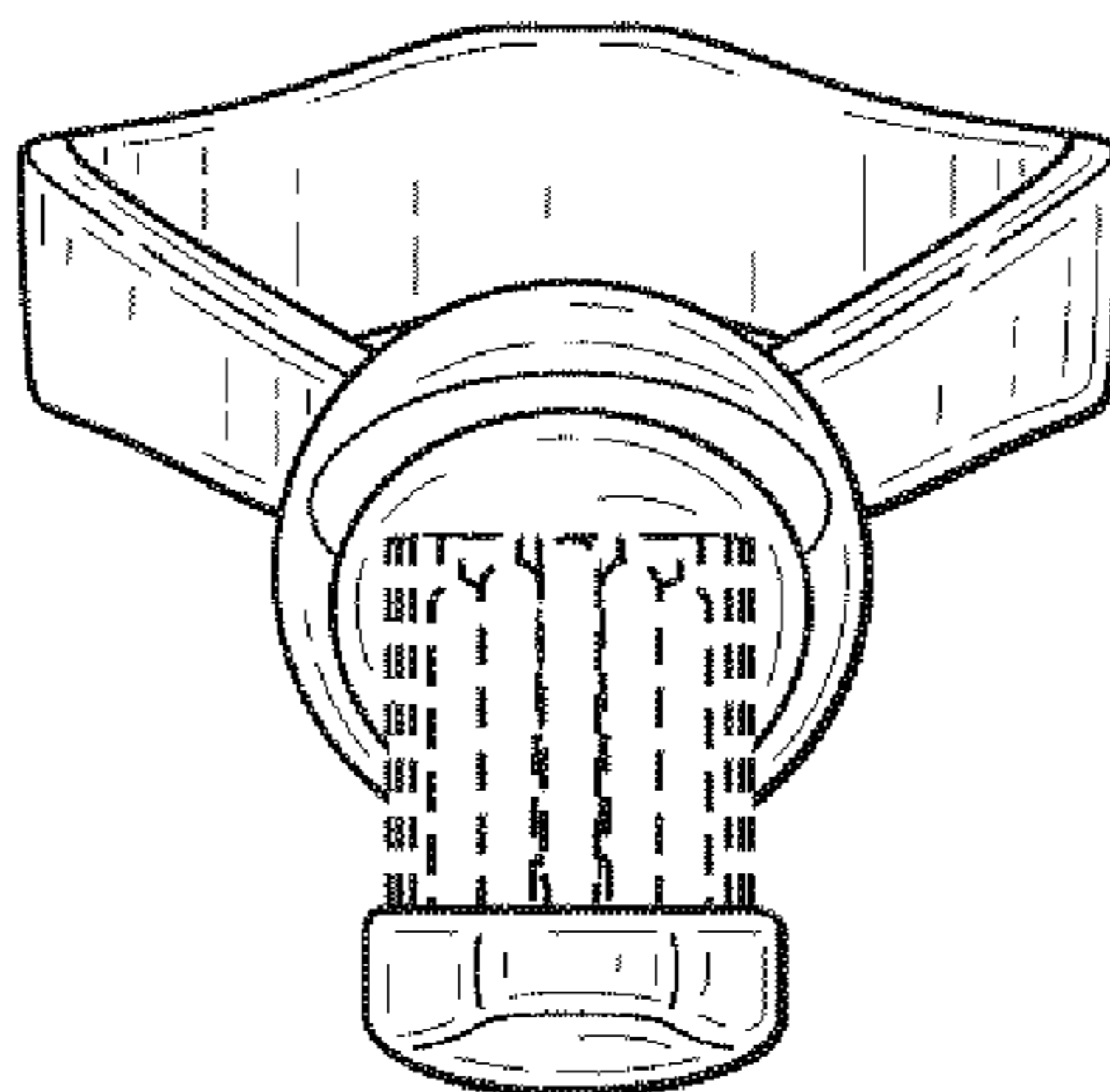


FIG. 9

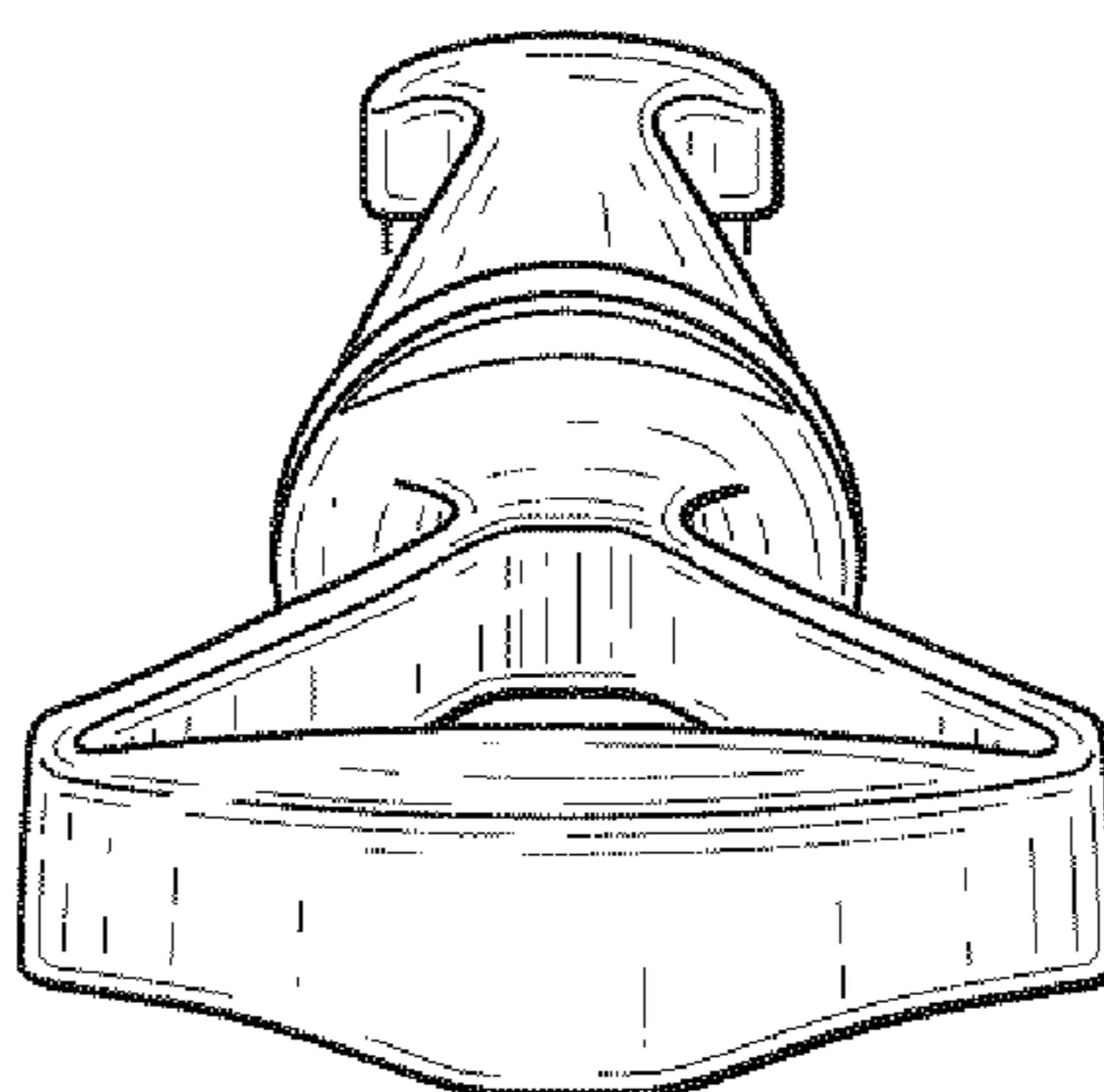


FIG. 10

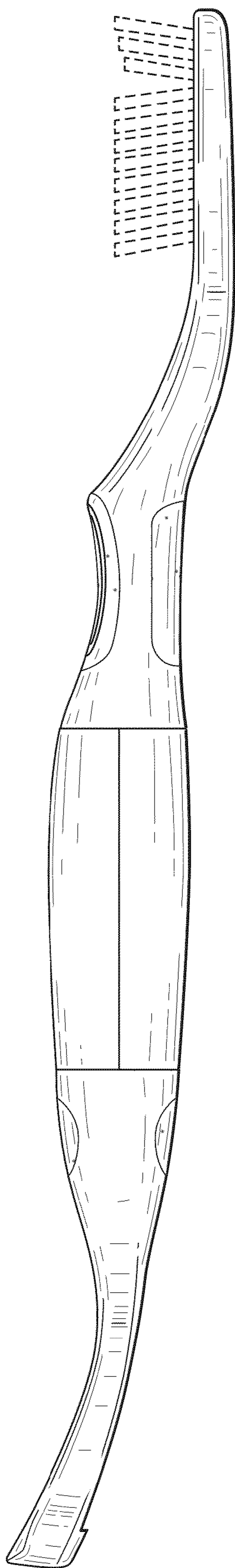


FIG. 11

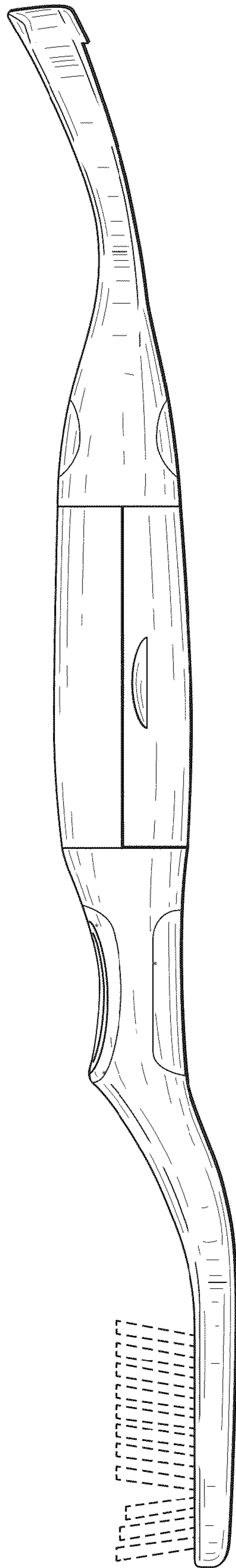


FIG. 12

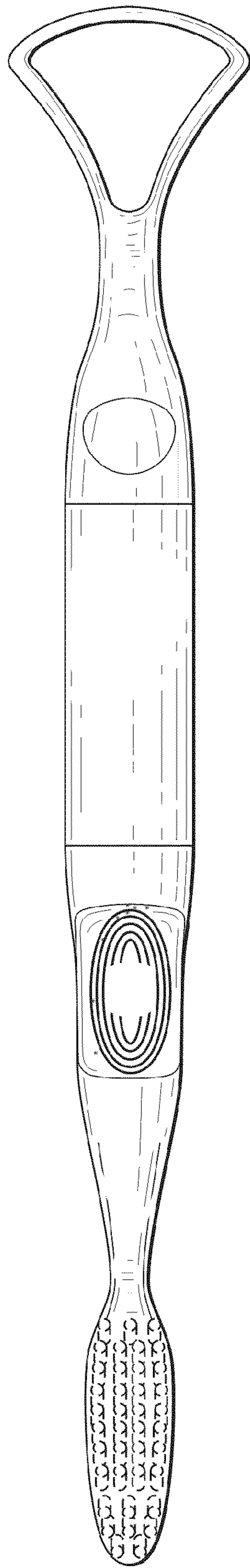


FIG. 13

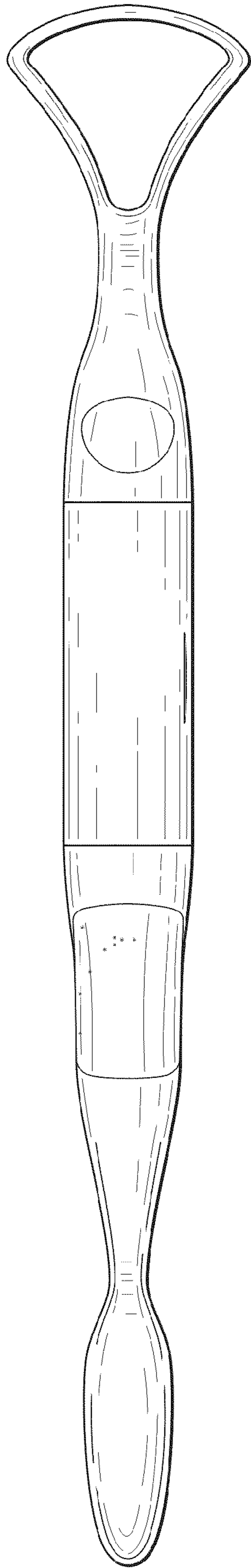


FIG. 14