



US00D651804S

(12) **United States Design Patent**  
**Chen et al.**

(10) **Patent No.:** **US D651,804 S**  
(45) **Date of Patent:** **\*\* Jan. 10, 2012**

(54) **TOOLBOX**

(75) Inventors: **Xiao Chen**, Shanghai (CN); **Cui Feng Wang**, Shanghai (CN)

(73) Assignee: **Meridian International Co., Ltd.** (CN)

(\*\*) Term: **14 Years**

(21) Appl. No.: **29/385,589**

(22) Filed: **Feb. 16, 2011**

(30) **Foreign Application Priority Data**

Aug. 17, 2010 (CN) ..... 2010 2 0293911  
Nov. 4, 2010 (CN) ..... 2010 3 0595209

(51) **LOC (9) Cl.** ..... **03-01**

(52) **U.S. Cl.** ..... **D3/318**

(58) **Field of Classification Search** ..... 150/118,  
150/100, 103-104; 220/4.21, 810, 825; 224/155;  
D3/274, 276, 273, 279, 272, 295, 294, 254,  
D3/301, 904-905, 265, 218, 247, 318, 323,  
D3/315, 391; 206/5, 6, 34, 372-373, 154,  
206/156; D6/336; 190/8; 280/650  
See application file for complete search history.

(56) **References Cited**

**U.S. PATENT DOCUMENTS**

D367,360 S *	2/1996	Wolff	.....	D3/323
D368,161 S *	3/1996	Miller	.....	D3/323
D505,011 S *	5/2005	Einav	.....	D3/274
D517,805 S *	3/2006	Hosking	.....	D3/295
D525,789 S *	8/2006	Hosking	.....	D3/281
D537,253 S *	2/2007	Chen	.....	D3/315
D577,928 S *	10/2008	Wong	.....	D6/407

\* cited by examiner

*Primary Examiner* — Robert M Spear

*Assistant Examiner* — Sheryl Lane

(74) *Attorney, Agent, or Firm* — Jason R. Sytsma;  
Shuttleworth & Ingersoll, PLC

(57) **CLAIM**

I claim the ornamental design for a toolbox, as shown and described.

**DESCRIPTION**

FIG. 1 is a perspective view of a toolbox with a removable container according to the invention illustrating the top and front side of the invention;

FIG. 2 is a frontward facing perspective view of the top right side of the lid of the toolbox of FIG. 1;

FIG. 3 is a rearward facing perspective view of the top right side of the lid of the toolbox of FIG. 1;

FIG. 4 is top view of the lid of the toolbox of FIG. 1;

FIG. 5 is a front facing view of the lid of the toolbox of FIG. 1;

FIG. 6 is a right side view of the lid of the toolbox of FIG. 1;

FIG. 7 is a left side view of the lid of the toolbox of FIG. 1;

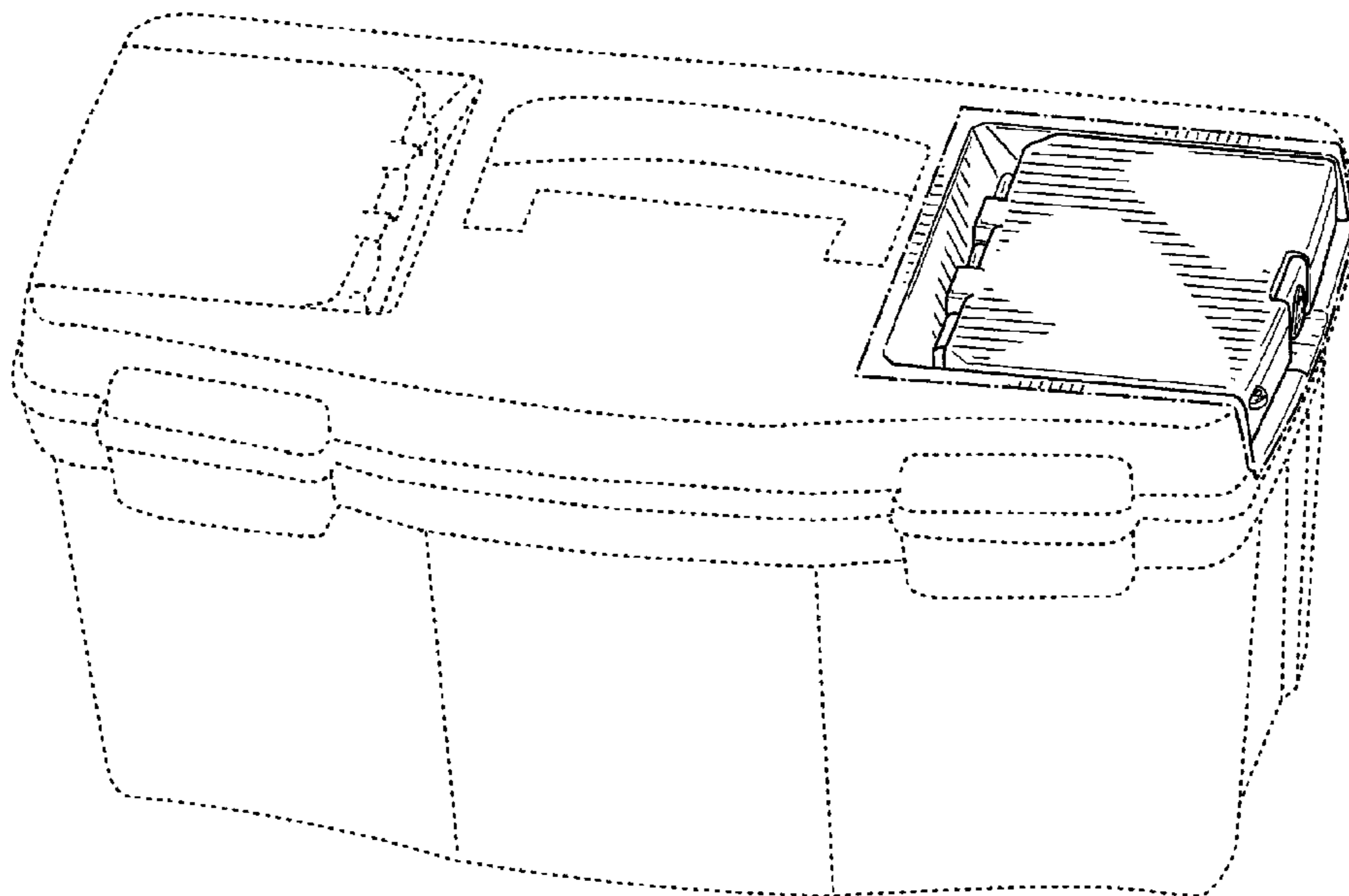
FIG. 8 is a front perspective view of the top right side of the lid of the toolbox of FIG. 1 with the container removed;

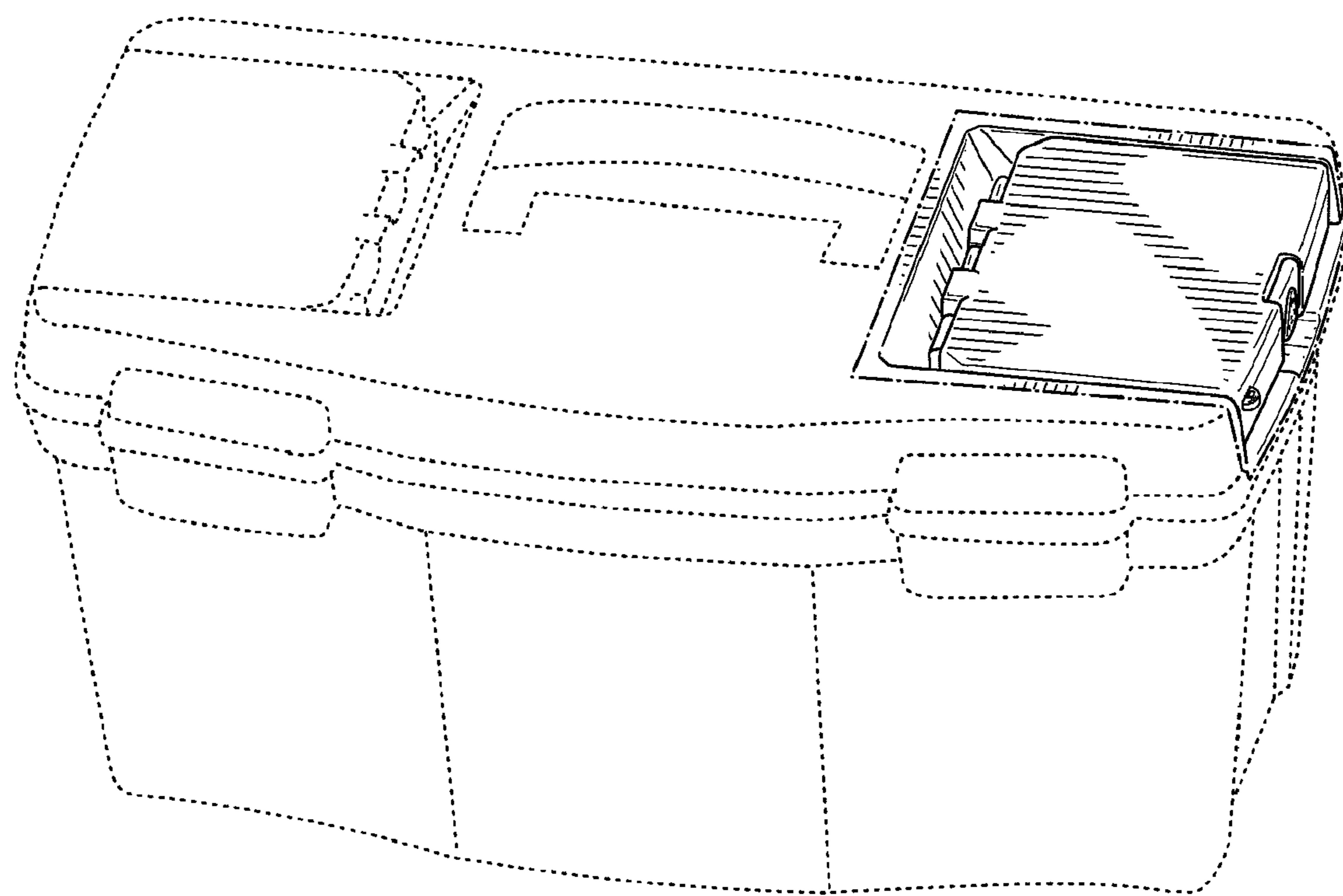
FIG. 9 is a top view of the lid of the toolbox of FIG. 1 with the container removed; and,

FIG. 10 is a front facing view of the lid of the toolbox of FIG. 1 with the container removed.

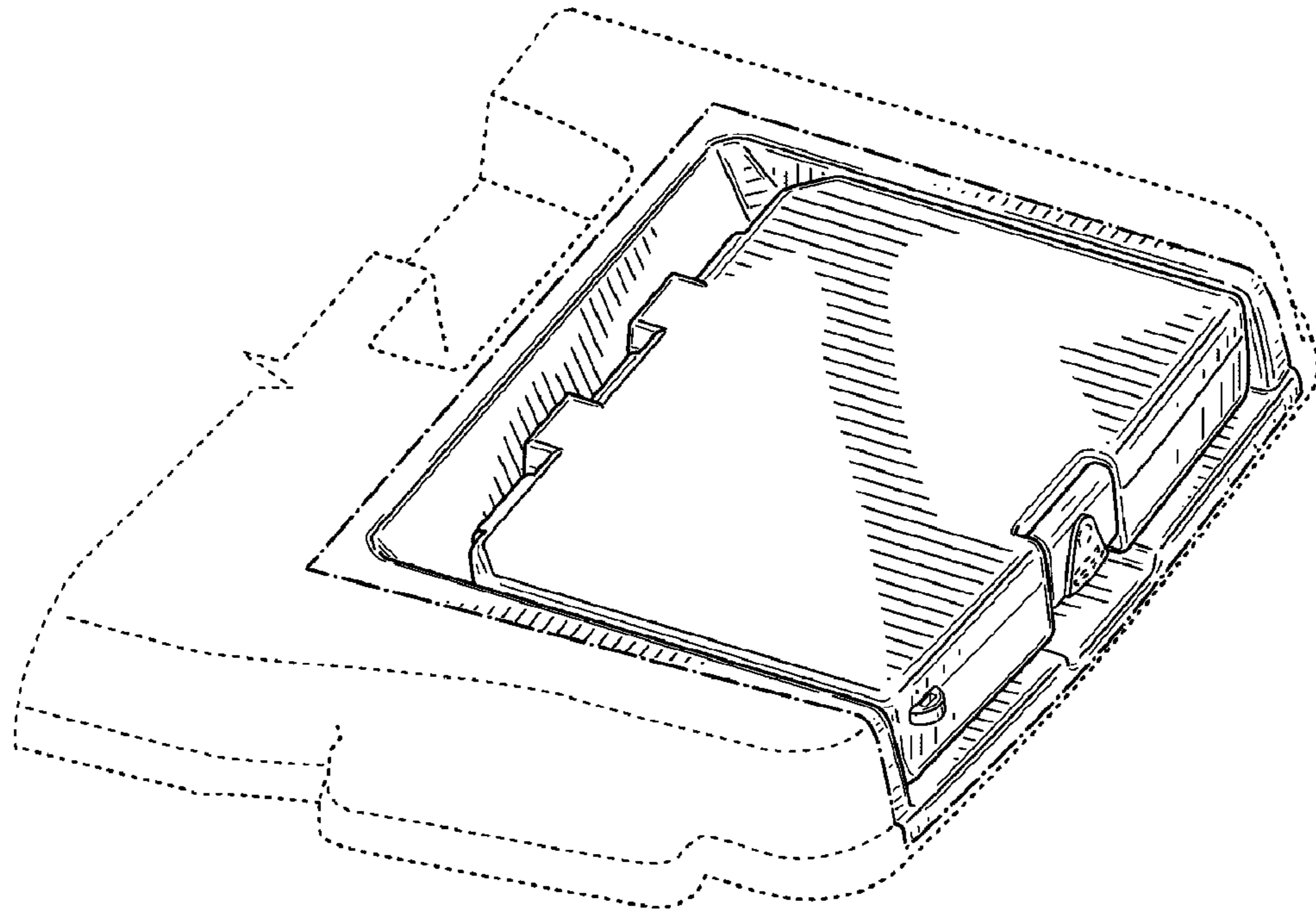
The broken line showing of the toolbox represents portions of the article that form no part of the claimed design.

**1 Claim, 6 Drawing Sheets**

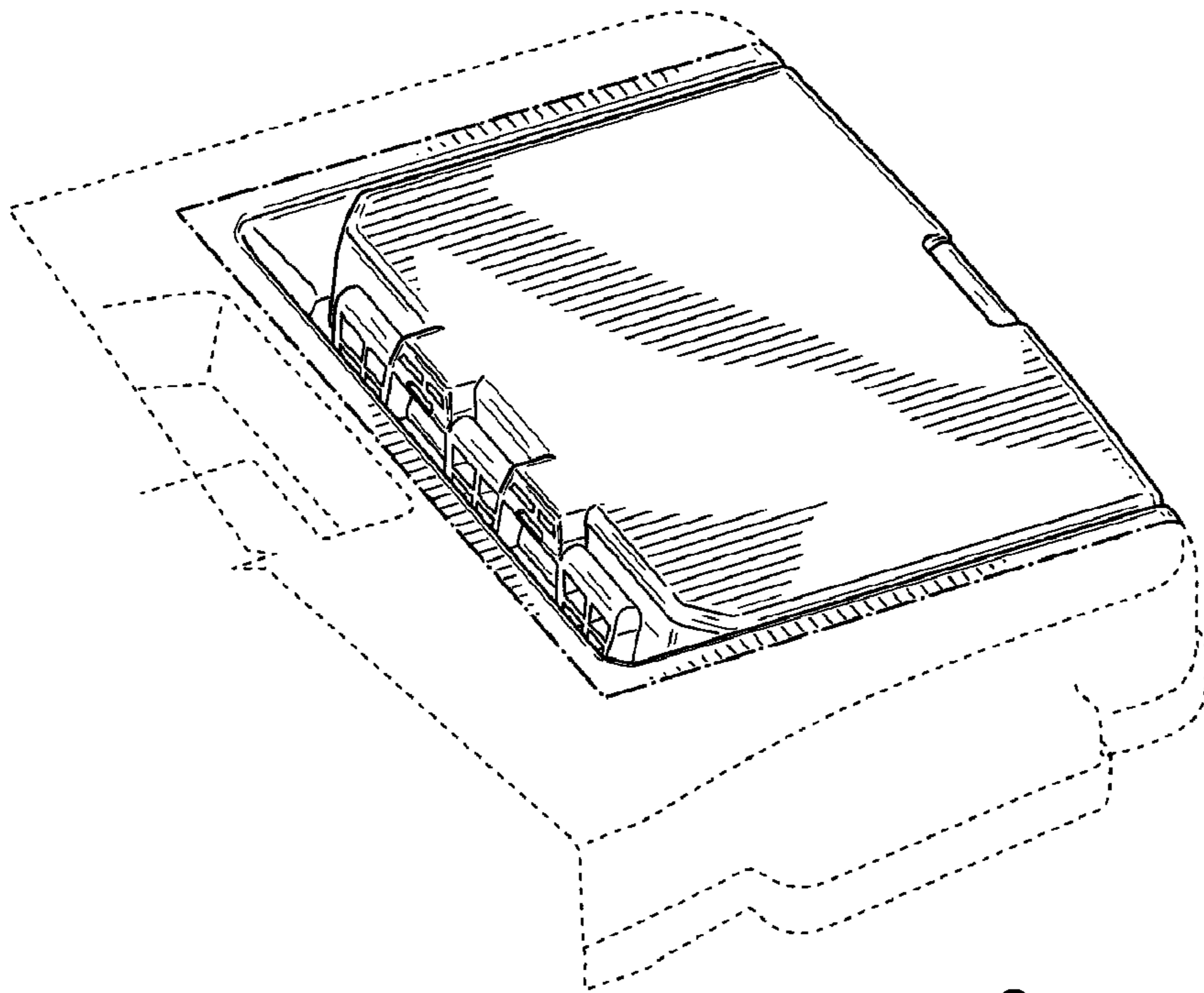




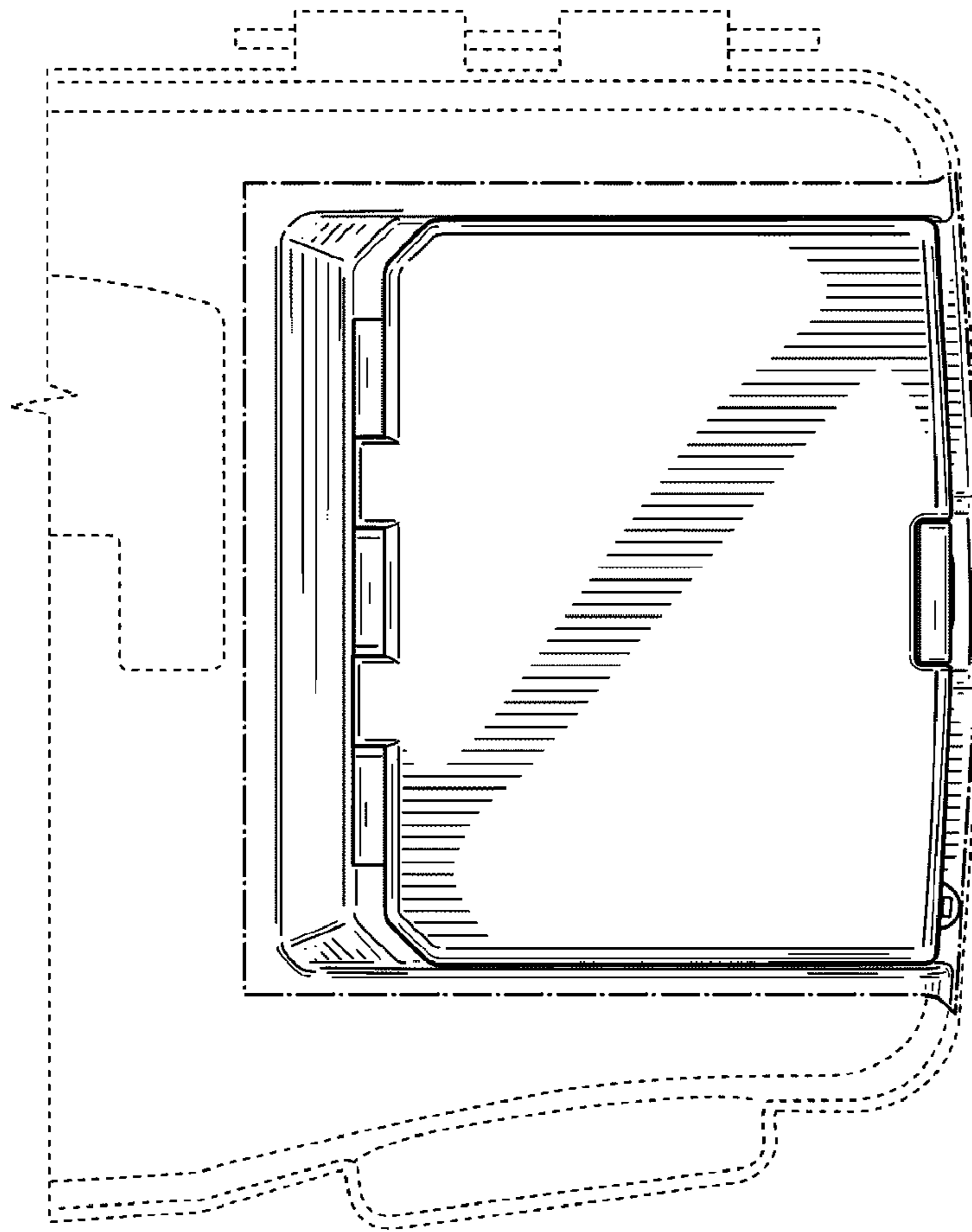
**FIG. 1**



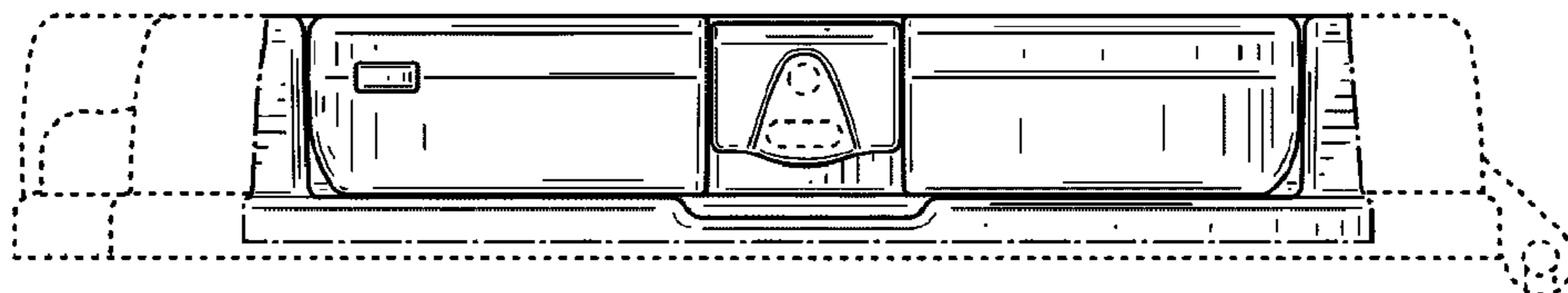
**FIG. 2**



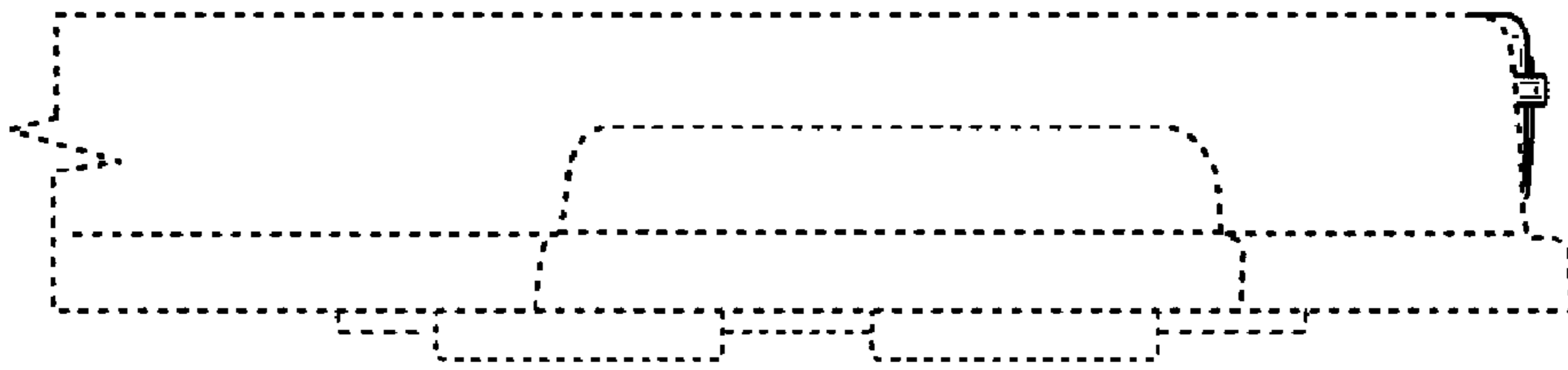
**FIG. 3**



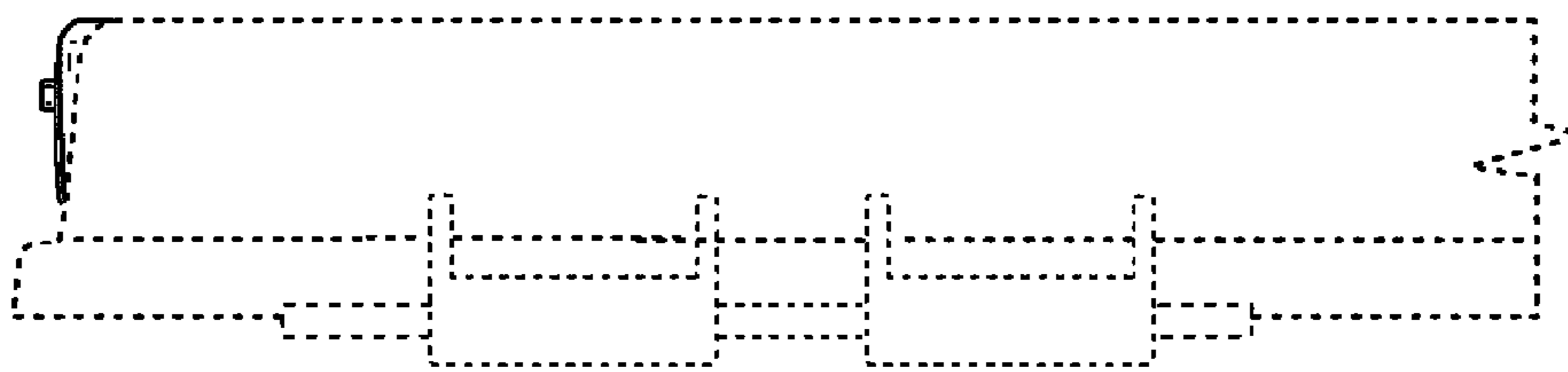
**FIG. 4**



**FIG. 5**

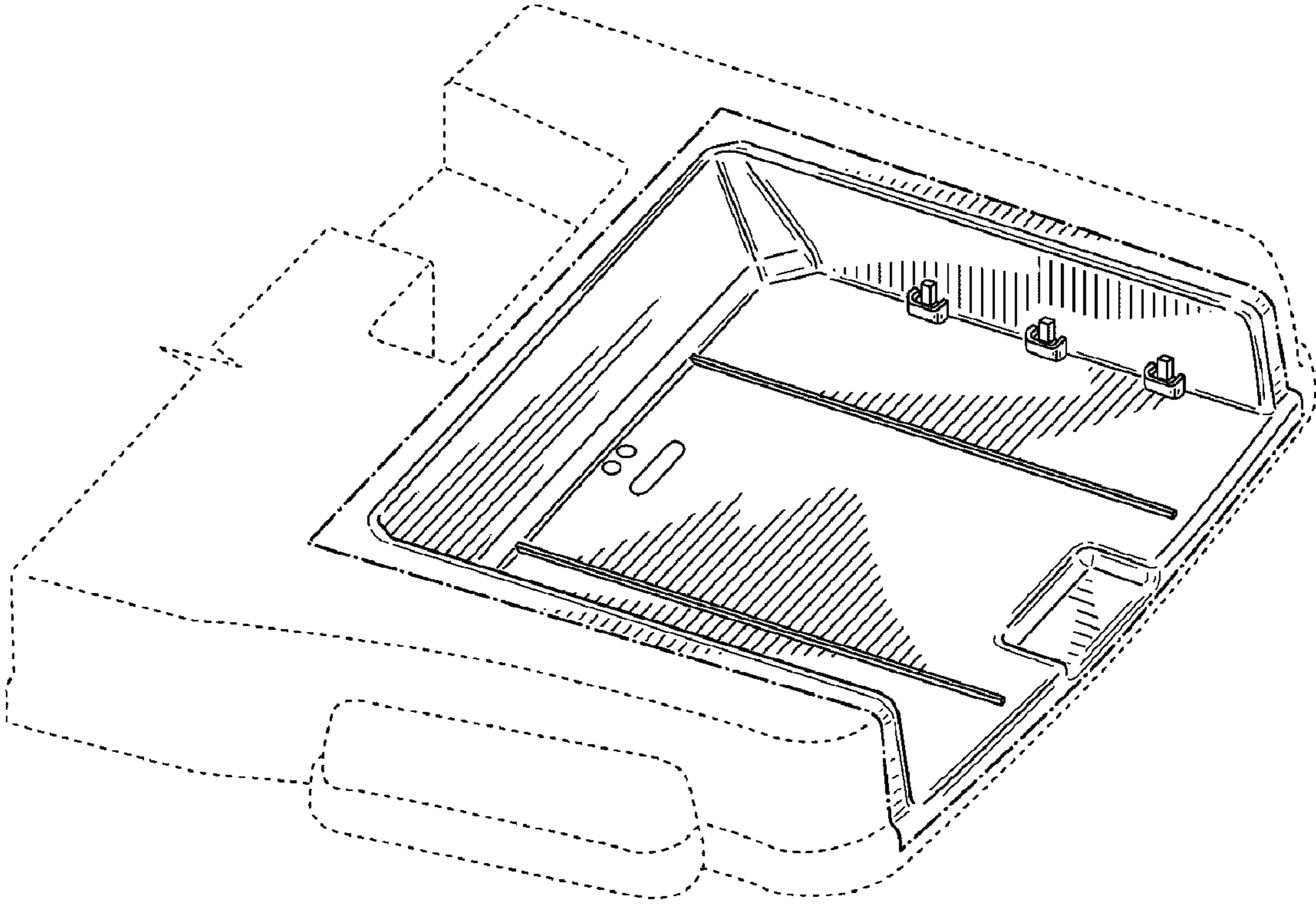


**FIG. 6**

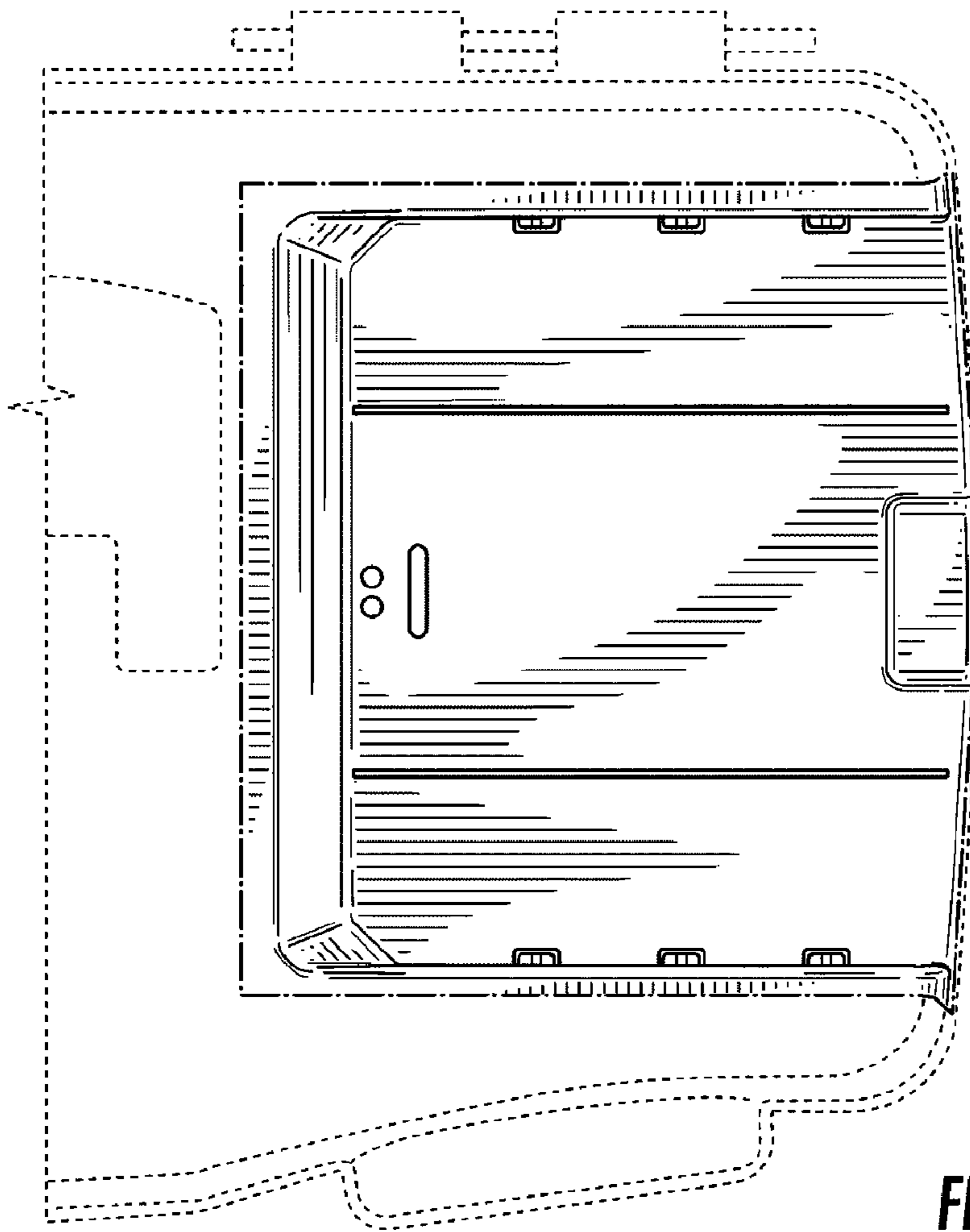


**FIG. 7**

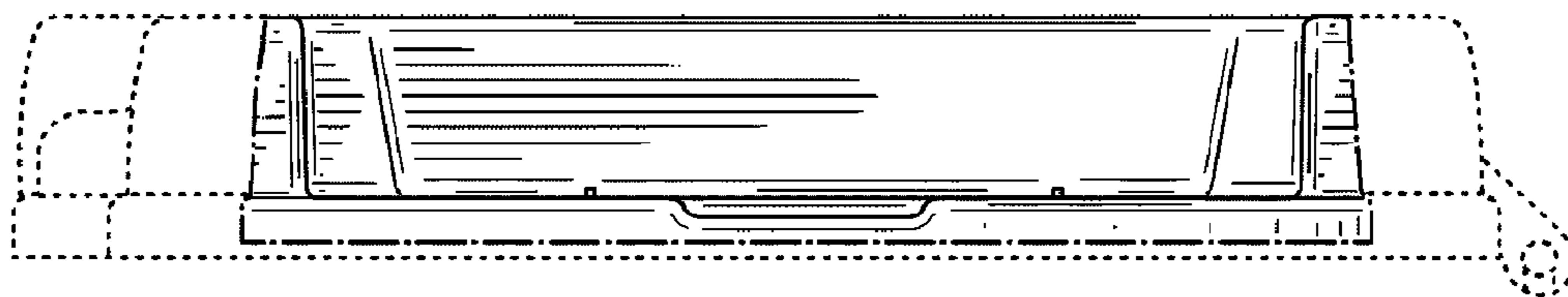




**FIG. 8**



**FIG. 9**



**FIG. 10**