



US00D651802S

(12) **United States Design Patent**
Riedesel et al.

(10) **Patent No.:** **US D651,802 S**
(45) **Date of Patent:** **** Jan. 10, 2012**

(54) **STACKABLE TRAY FOR HOLDING CARTRIDGES**

(75) Inventors: **Shaun Riedesel**, Madison, SD (US);
Randy Derby, Estelline, SD (US)

(73) Assignee: **Falcon Plastics, Inc.**, Brookings, SD (US)

(**) Term: **14 Years**

(21) Appl. No.: **29/394,224**

(22) Filed: **Jun. 14, 2011**

(51) **LOC (9) Cl.** **03-01**

(52) **U.S. Cl.** **D3/313**

(58) **Field of Classification Search** D3/304,
D3/311, 313-315; D6/449-450, 396-397,
D6/466-469, 629; D24/227; D7/701, 605,
D7/550.1; 206/139, 201-203, 427; 220/4.26
See application file for complete search history.

(56) **References Cited**

U.S. PATENT DOCUMENTS

3,813,987 A	6/1974	Minneman	
4,257,520 A	3/1981	Hohmann et al.	
D313,493 S *	1/1991	Apps et al.	D3/313
5,052,549 A	10/1991	Scharch	
5,487,487 A *	1/1996	Hammett	220/509
D378,249 S *	3/1997	Apps et al.	D3/310
D381,515 S *	7/1997	Haynes	D3/313
D407,243 S *	3/1999	Thoesen	D6/469
D445,253 S *	7/2001	Hammett	D3/313

D465,417 S *	11/2002	Apps	D9/456
D535,881 S *	1/2007	Liukko	D9/456
D558,453 S *	1/2008	Richter	D3/304
D561,025 S *	2/2008	Gilfert	D9/456
D585,372 S *	1/2009	Foreman et al.	D13/119
D592,996 S	5/2009	Howard et al.	
D600,016 S *	9/2009	Tiilikainen	D3/304
D626,866 S *	11/2010	Powers	D10/40
D635,364 S *	4/2011	Benetti et al.	D3/313
D642,789 S *	8/2011	Cooper	D3/203.3

* cited by examiner

Primary Examiner — Elizabeth Albert

Assistant Examiner — Kelley Donnelly

(74) *Attorney, Agent, or Firm* — Morris O'Bryant Compagni

(57) **CLAIM**

The ornamental design for the stackable tray for holding cartridges, as shown and described.

DESCRIPTION

FIG. 1 is a top isometric view of the stackable tray for holding cartridges;

FIG. 2 is a bottom isometric view thereof;

FIG. 3 is an alternate bottom isometric view thereof;

FIG. 4 is a top plan view thereof;

FIG. 5 is a bottom plan view thereof;

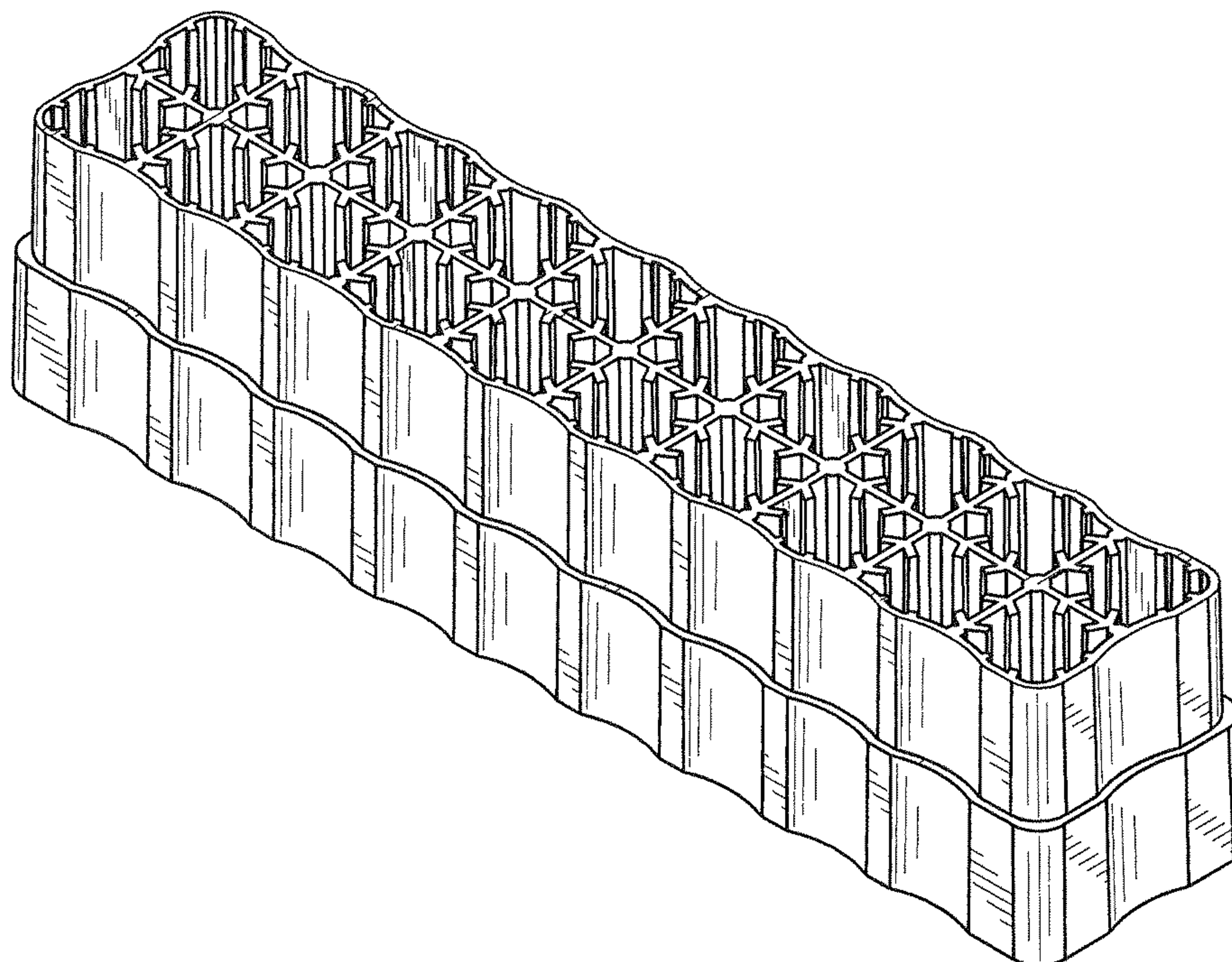
FIG. 6 is a front side view thereof;

FIG. 7 is a rear side view thereof;

FIG. 8 is a left side view thereof; and,

FIG. 9 is a right side view thereof.

1 Claim, 3 Drawing Sheets



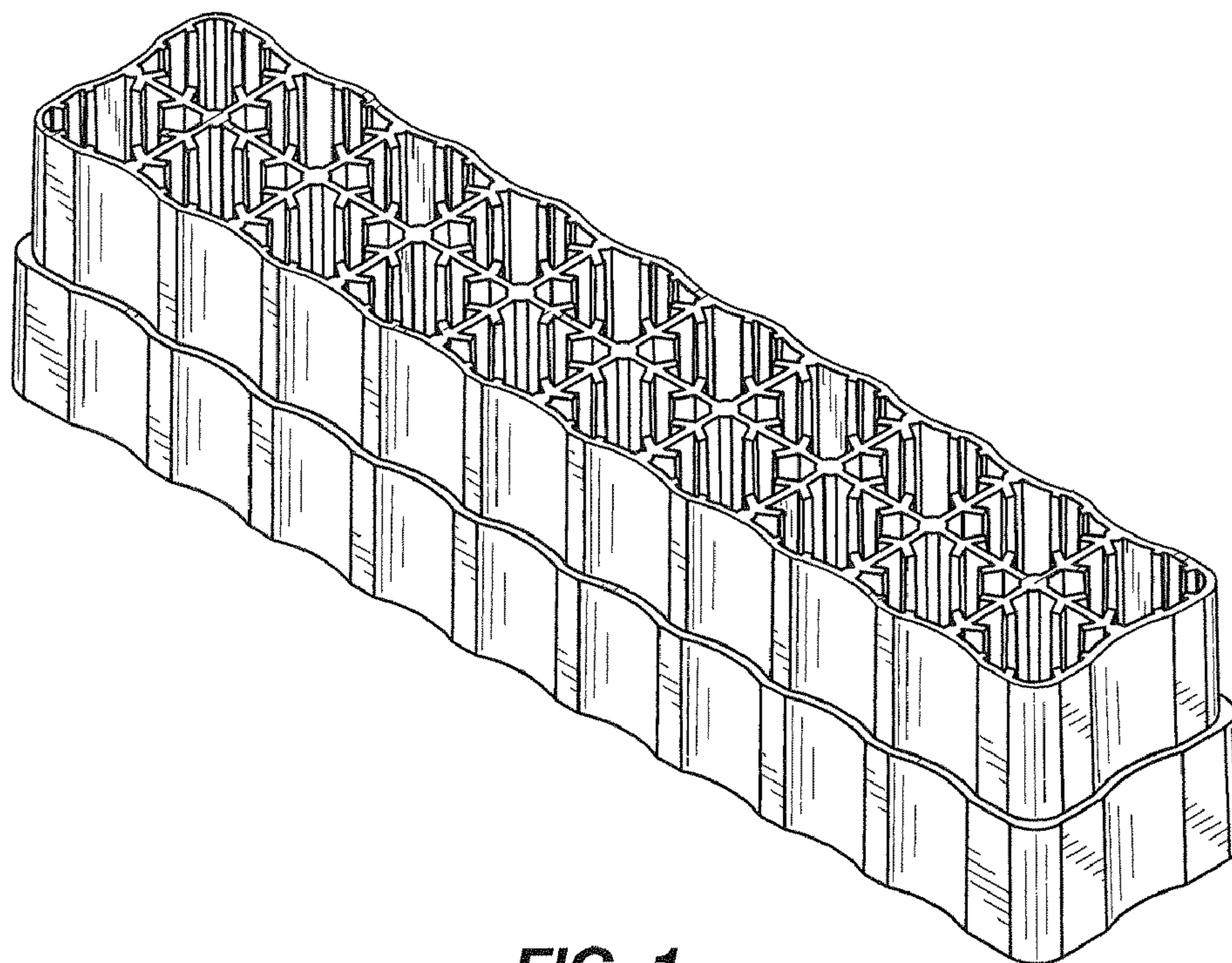


FIG. 1

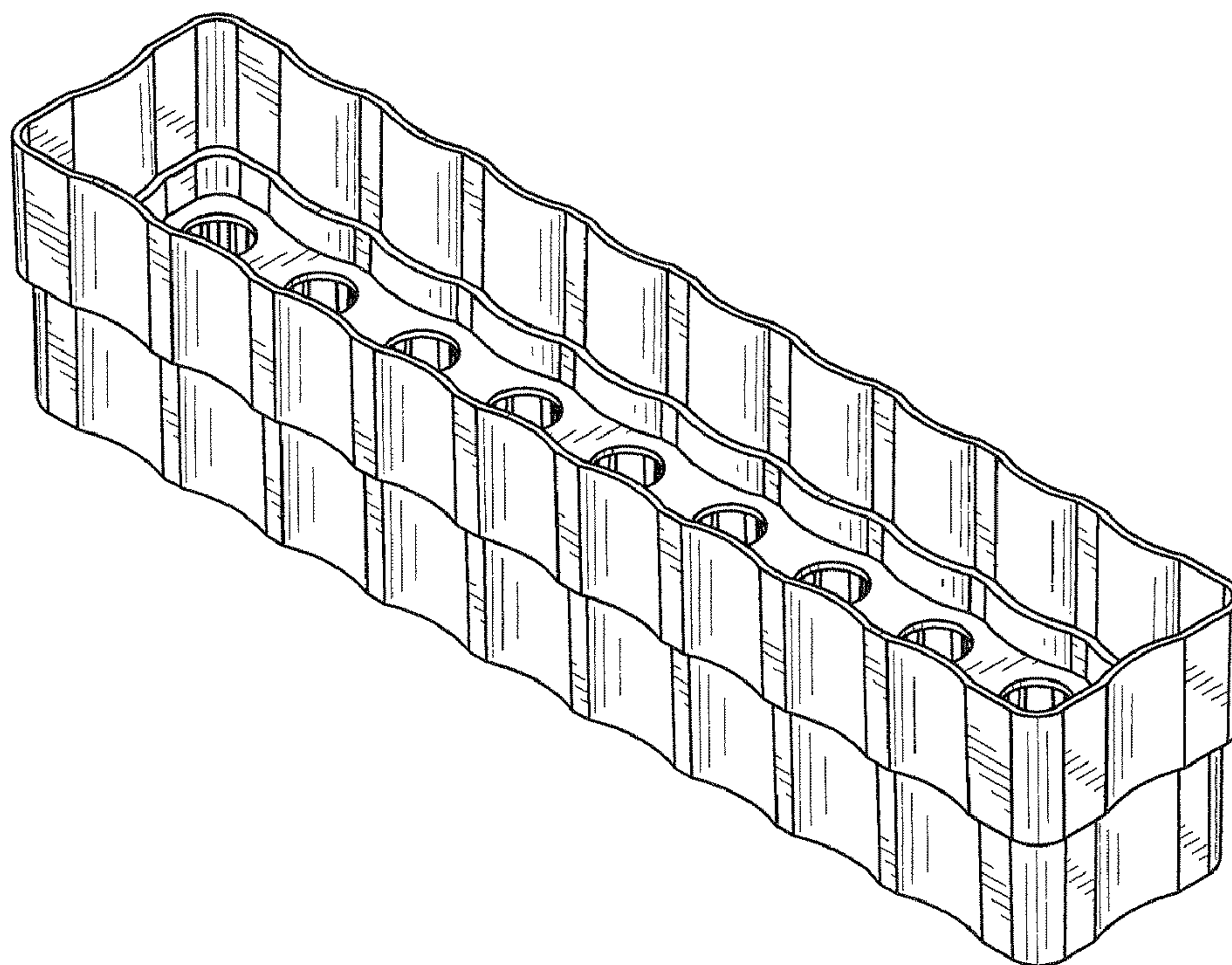


FIG. 2

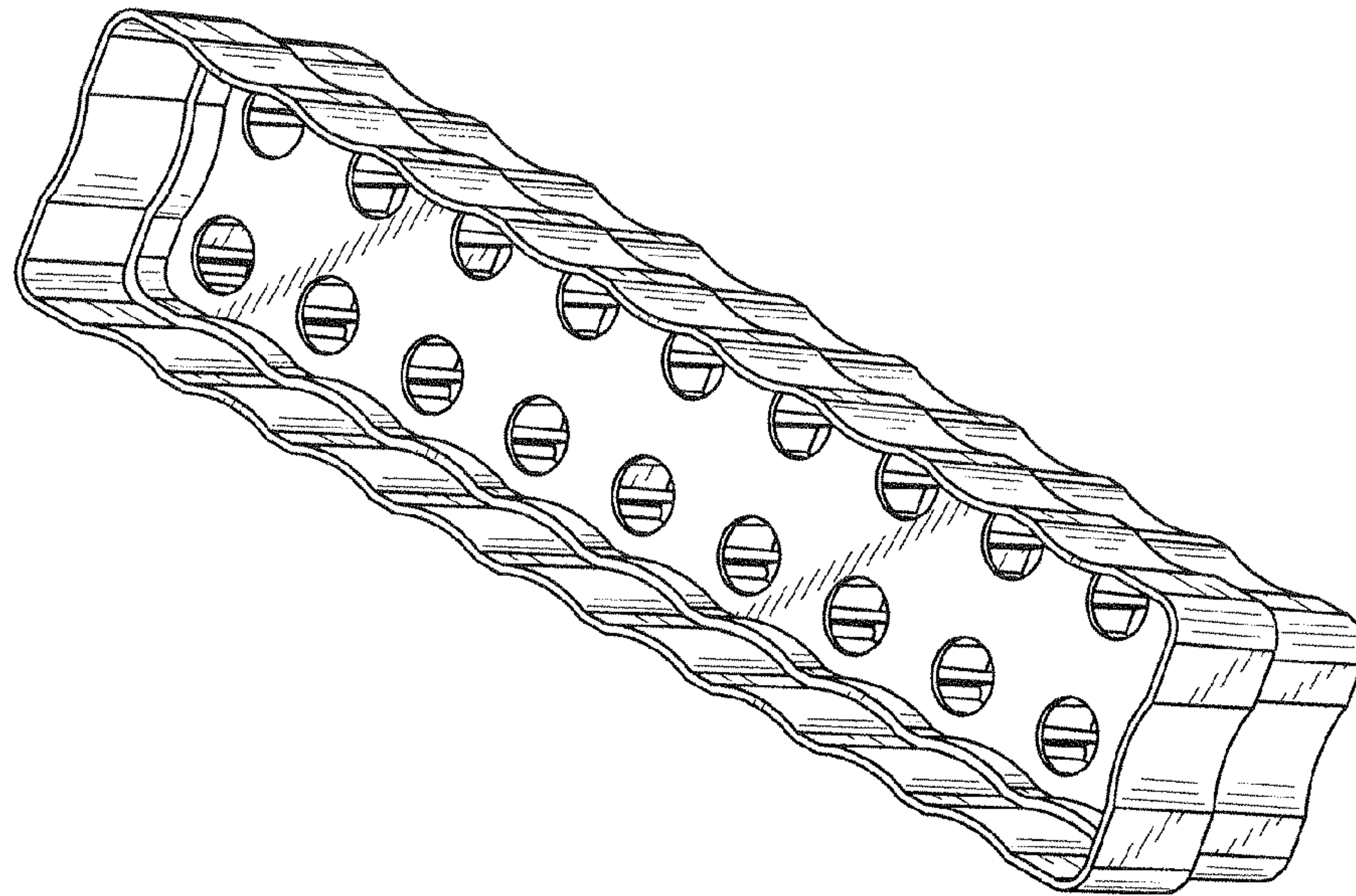


FIG. 3

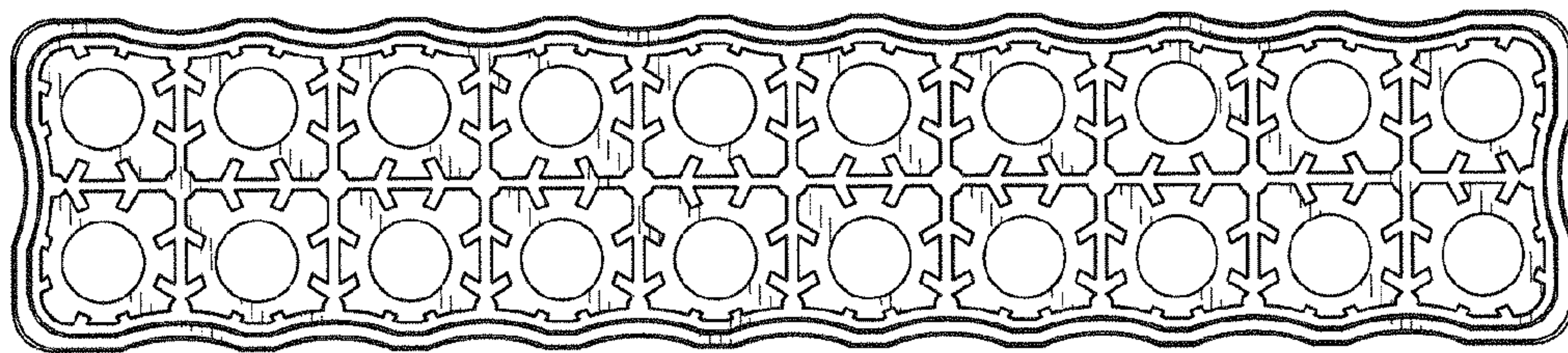


FIG. 4

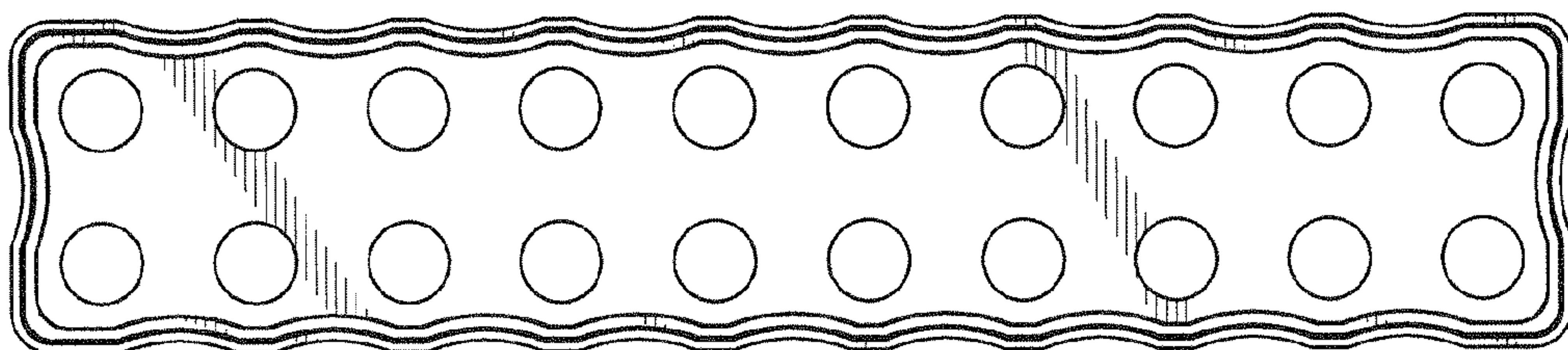


FIG. 5

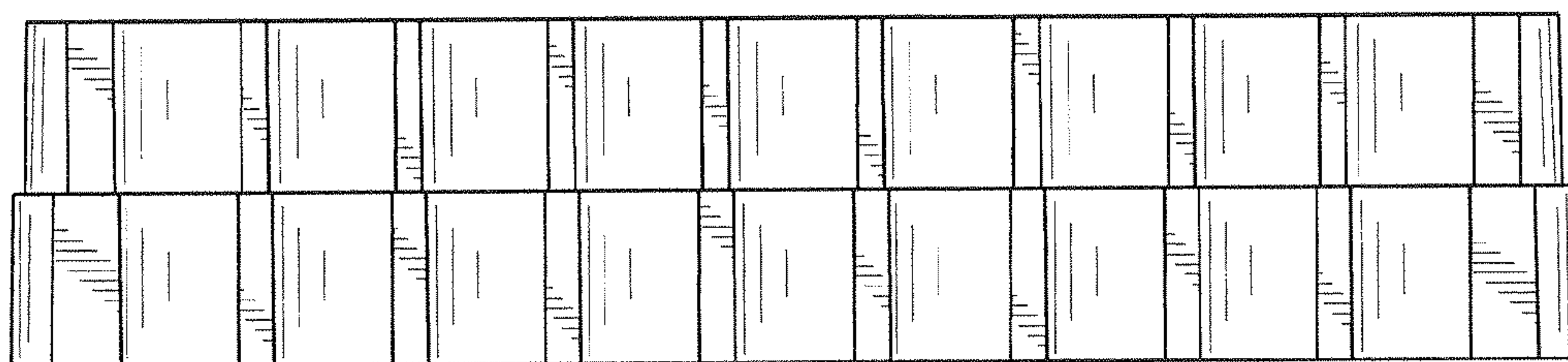


FIG. 6

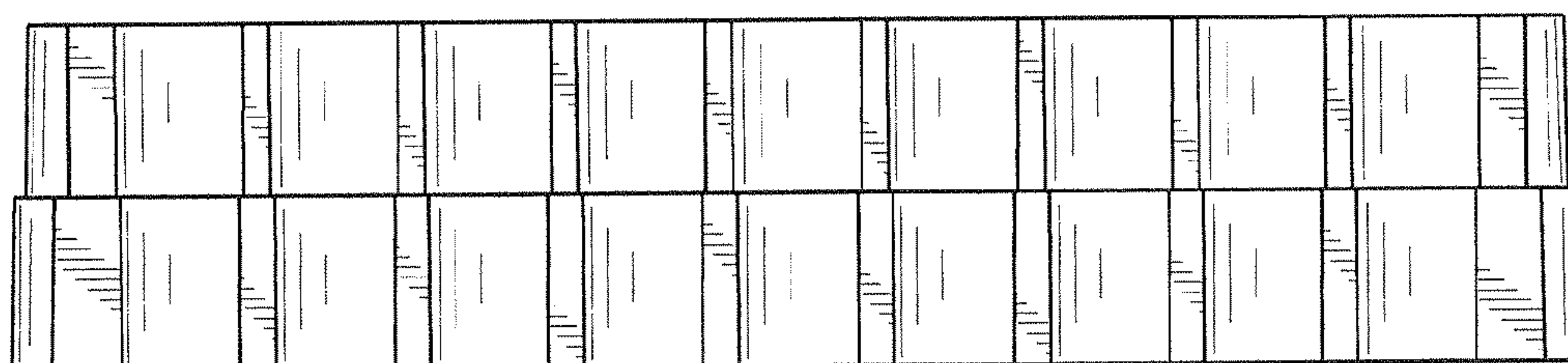


FIG. 7

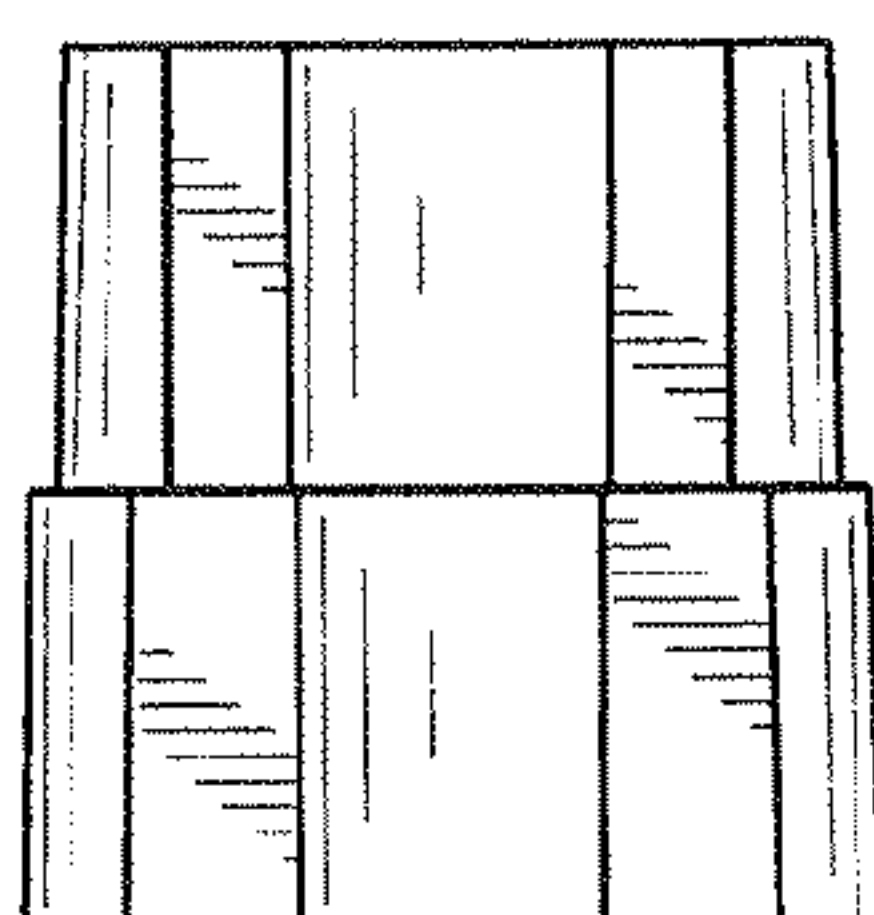


FIG. 8

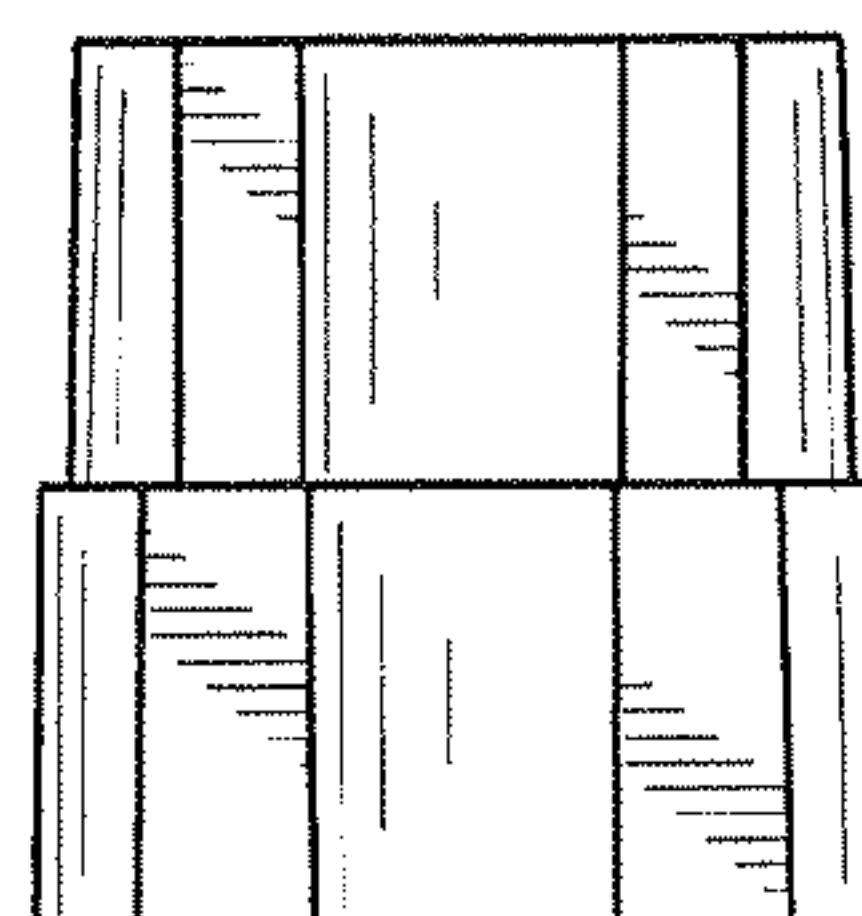


FIG. 9