



US00D651801S

(12) **United States Design Patent**  
**Brown**

(10) **Patent No.:** **US D651,801 S**

(45) **Date of Patent:** **\*\* Jan. 10, 2012**

(54) **TOTE**

(76) Inventor: **Johnny Brown**, Chattanooga, TN (US)

(\*\*) Term: **14 Years**

(21) Appl. No.: **29/383,875**

(22) Filed: **Jan. 24, 2011**

(51) **LOC (9) Cl.** ..... **03-01**

(52) **U.S. Cl.** ..... **D3/304**

(58) **Field of Classification Search** ..... D3/304–315,  
D3/201, 203.1–203.3; D6/525; D19/75,  
D19/77, 86, 90, 92, 100; 206/203, 214, 215,  
206/822, 307.1; 229/100, 913–914, 406  
See application file for complete search history.

(56) **References Cited**

U.S. PATENT DOCUMENTS

D342,760	S	*	12/1993	Kirchhoff et al.	.....	D19/90
D364,524	S	*	11/1995	Bassler et al.	.....	D6/567
D394,966	S	*	6/1998	Connor et al.	.....	D6/476
D411,399	S	*	6/1999	Stravitz	.....	D6/567
D446,391	S	*	8/2001	Sterling et al.	.....	D3/304
D459,398	S	*	6/2002	Stravitz	.....	D19/90
D480,426	S	*	10/2003	Kortleven	.....	D19/75
D581,159	S	*	11/2008	Neilsen	.....	D3/304
D583,562	S	*	12/2008	Ghiorghie	.....	D3/304
7,510,089	B2	*	3/2009	Killinger et al.	.....	211/11

(Continued)

*Primary Examiner* — Caron D Veynar  
*Assistant Examiner* — Kelley Donnelly

(74) *Attorney, Agent, or Firm* — Frank Marino

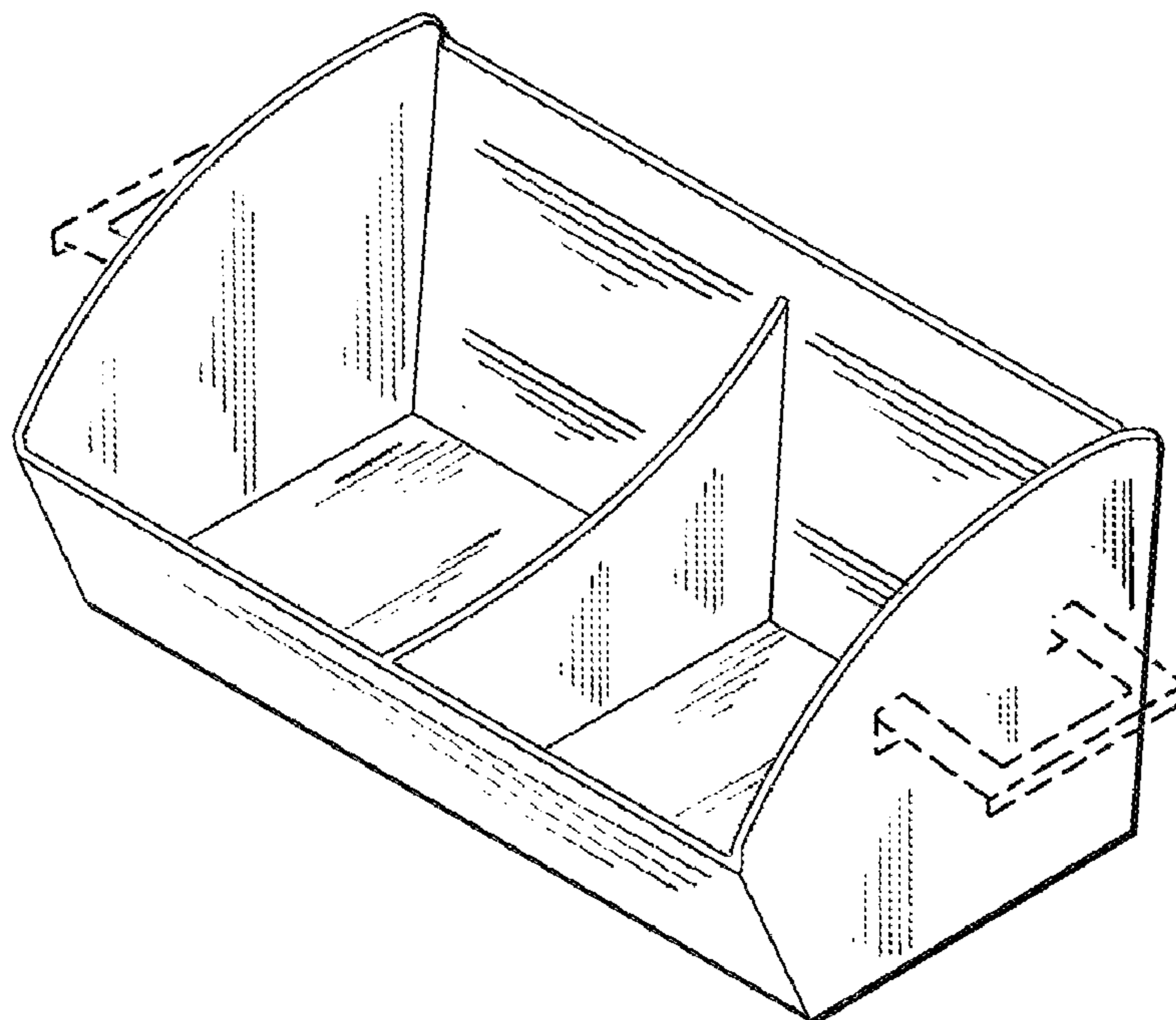
(57) **CLAIM**

The ornamental design for a tote, as shown and described.

**DESCRIPTION**

FIG. 1 is a perspective view of a tote according to a first embodiment of my new design;  
 FIG. 2 is a front view of the tote of FIG. 1;  
 FIG. 3 is a top view of the tote of FIG. 1;  
 FIG. 4 is a left side view of the tote of FIG. 1, the right side view being a mirror image thereof;  
 FIG. 5 is a rear view of the tote of FIG. 1;  
 FIG. 6 is a bottom view of the tote of FIG. 1;  
 FIG. 7 is a perspective view of a tote according to a second embodiment of my new design;  
 FIG. 8 is a front view of the tote of FIG. 7;  
 FIG. 9 is a top view of the tote of FIG. 7;  
 FIG. 10 is a left side view of the tote of FIG. 7, the right side view being a mirror image thereof;  
 FIG. 11 is a rear view of the tote of FIG. 7;  
 FIG. 12 is a bottom view of the tote of FIG. 7;  
 FIG. 13 is a perspective view of a tote according to a third embodiment of my new design;  
 FIG. 14 is a front view of the tote of FIG. 13;  
 FIG. 15 is a top view of the tote of FIG. 13;  
 FIG. 16 is a left side view of the tote of FIG. 13, the right side view being a mirror image thereof;  
 FIG. 17 is a rear view of the tote of FIG. 13; and,  
 FIG. 18 is a bottom view of the tote of FIG. 13.  
 The broken lines showing in FIGS. 1-15 and 17-18 are included for the purpose of illustrating environment of the design and forms no part of the claimed design.

**1 Claim, 5 Drawing Sheets**



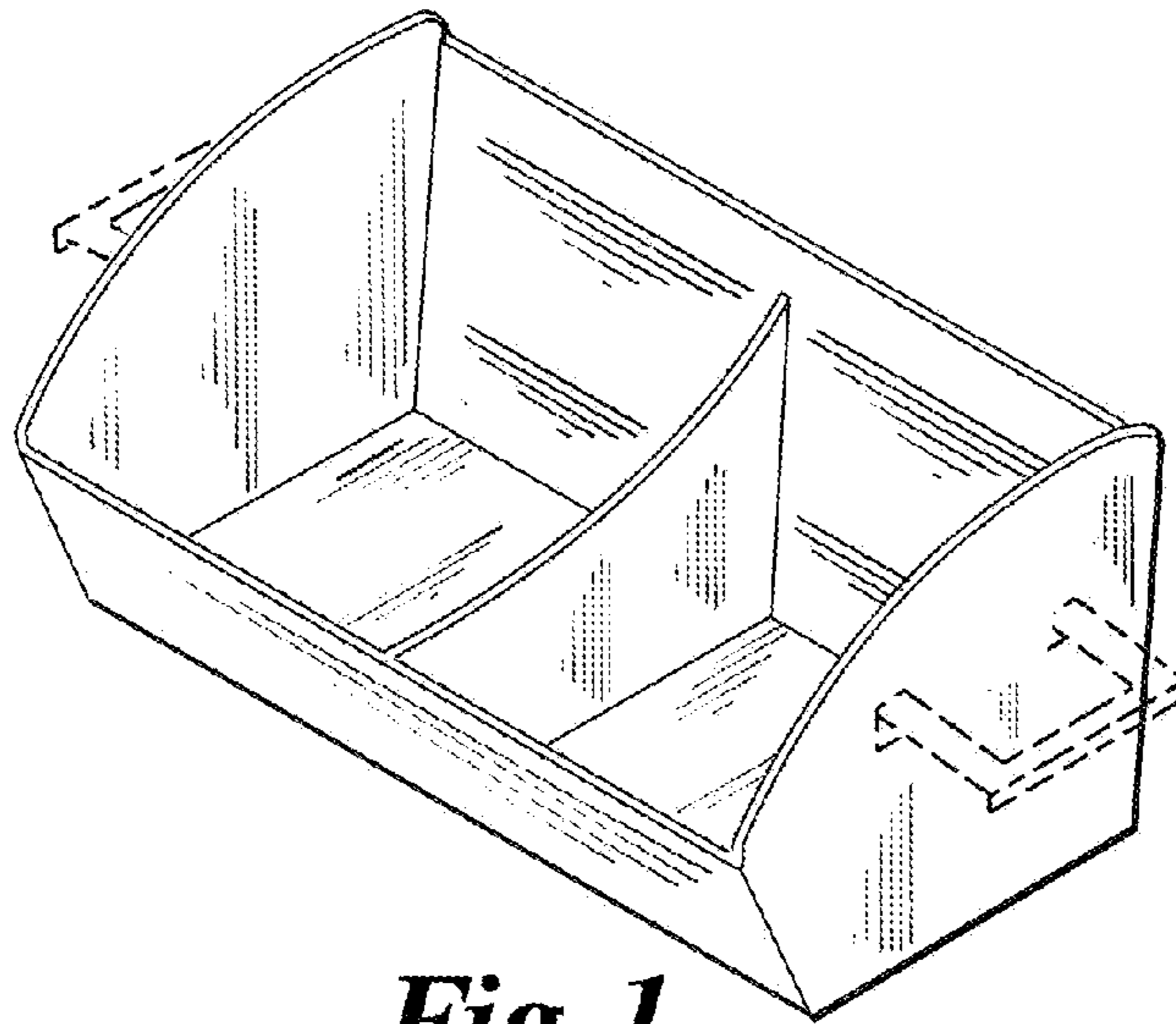
# US D651,801 S

Page 2

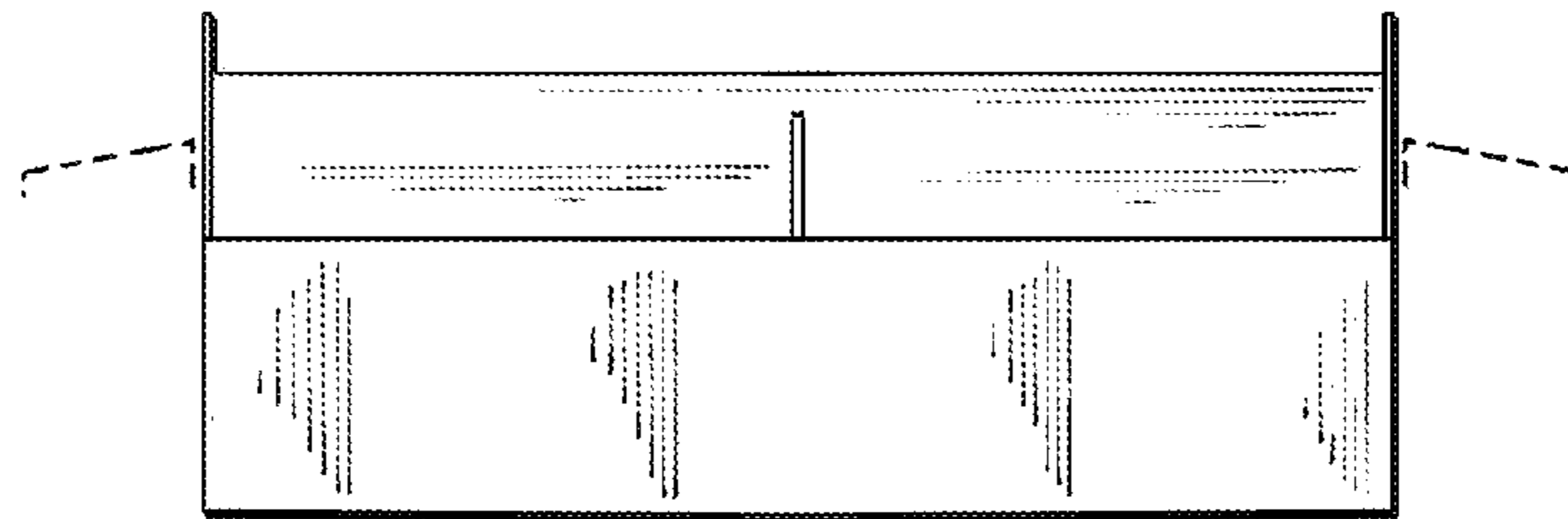
---

## U.S. PATENT DOCUMENTS

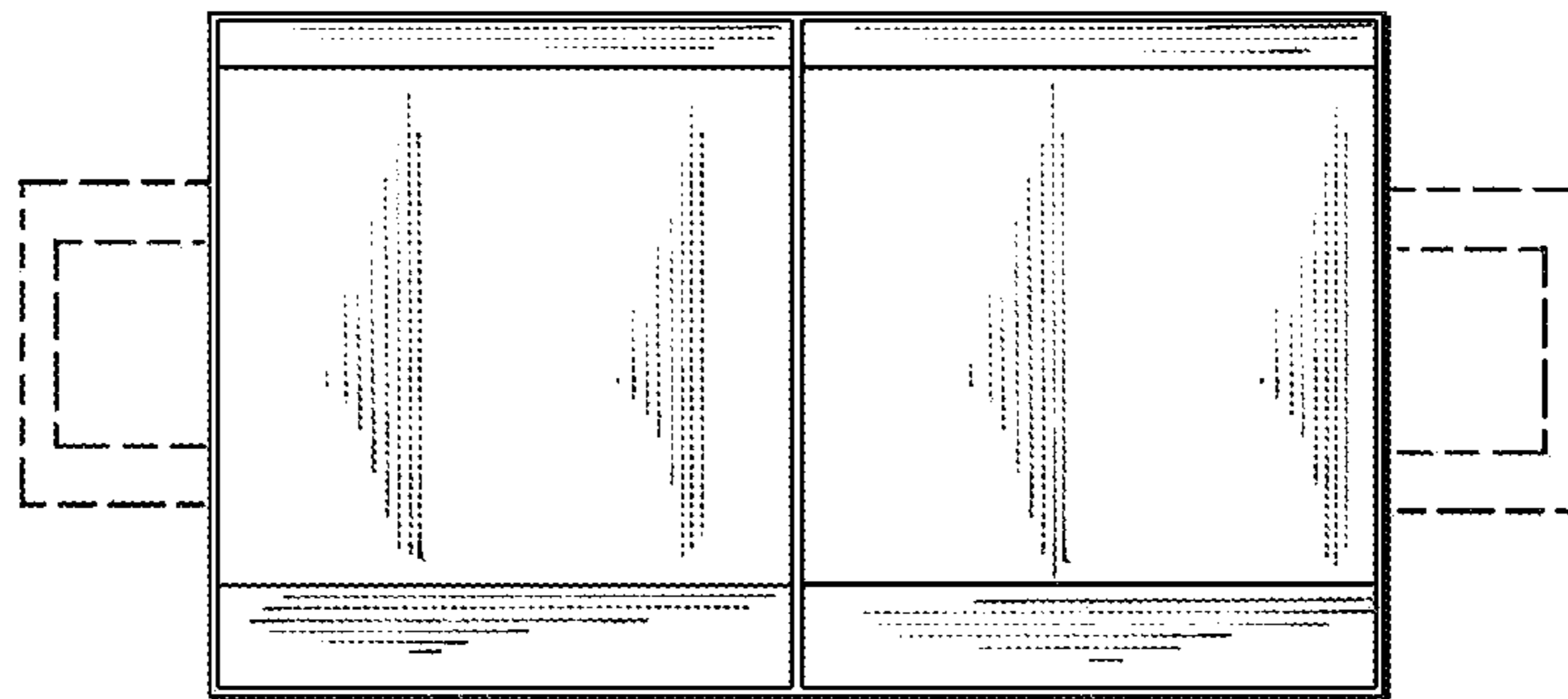
D589,728 S *	4/2009	Shaha et al. ....	D6/510	D636,198 S *	4/2011	Gibbs .....	D6/513
D606,314 S *	12/2009	Neilsen .....	D3/313	D640,489 S *	6/2011	Tuholski .....	D6/574
D630,478 S *	1/2011	Bell .....	D7/698	* cited by examiner			



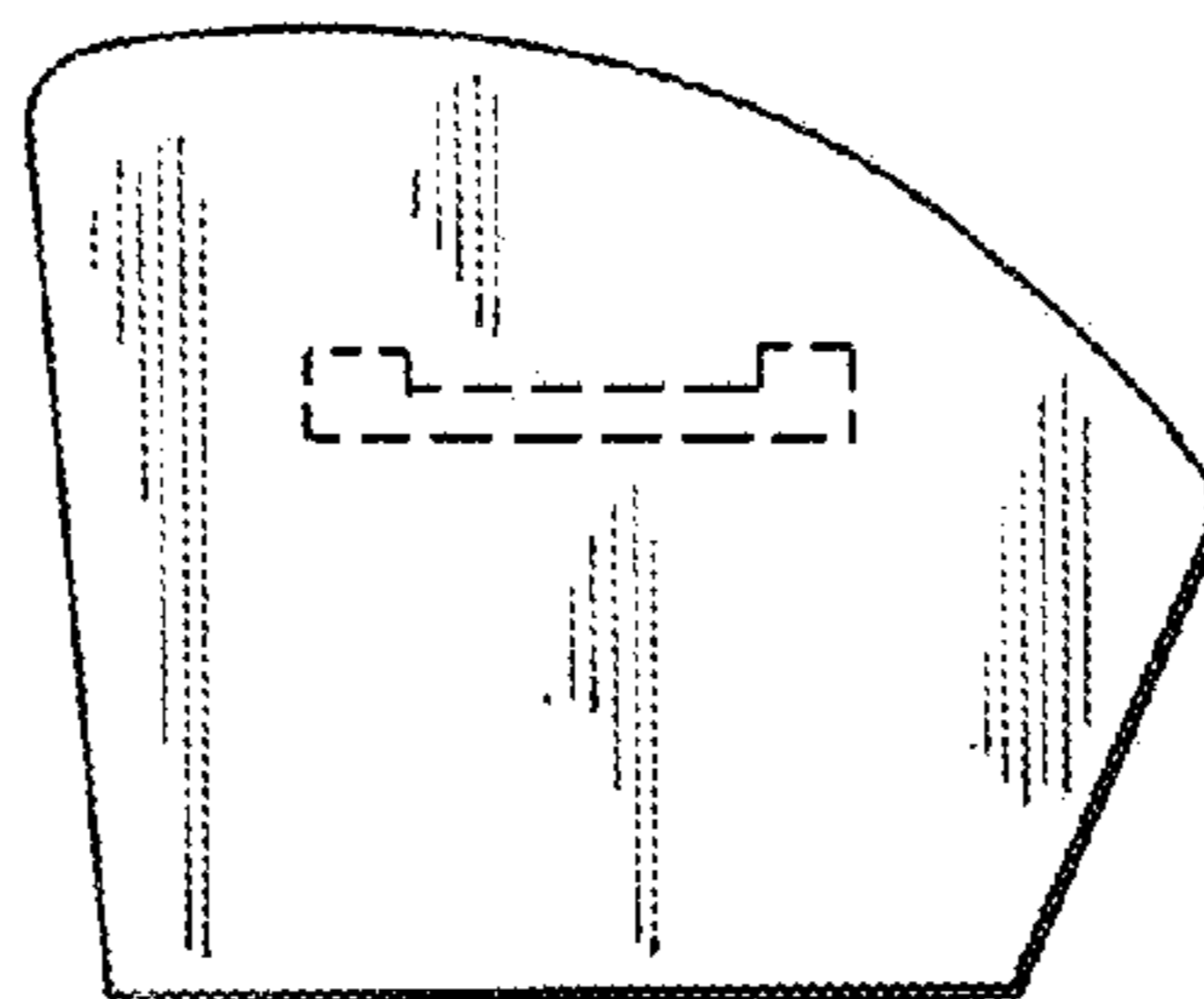
*Fig. 1*



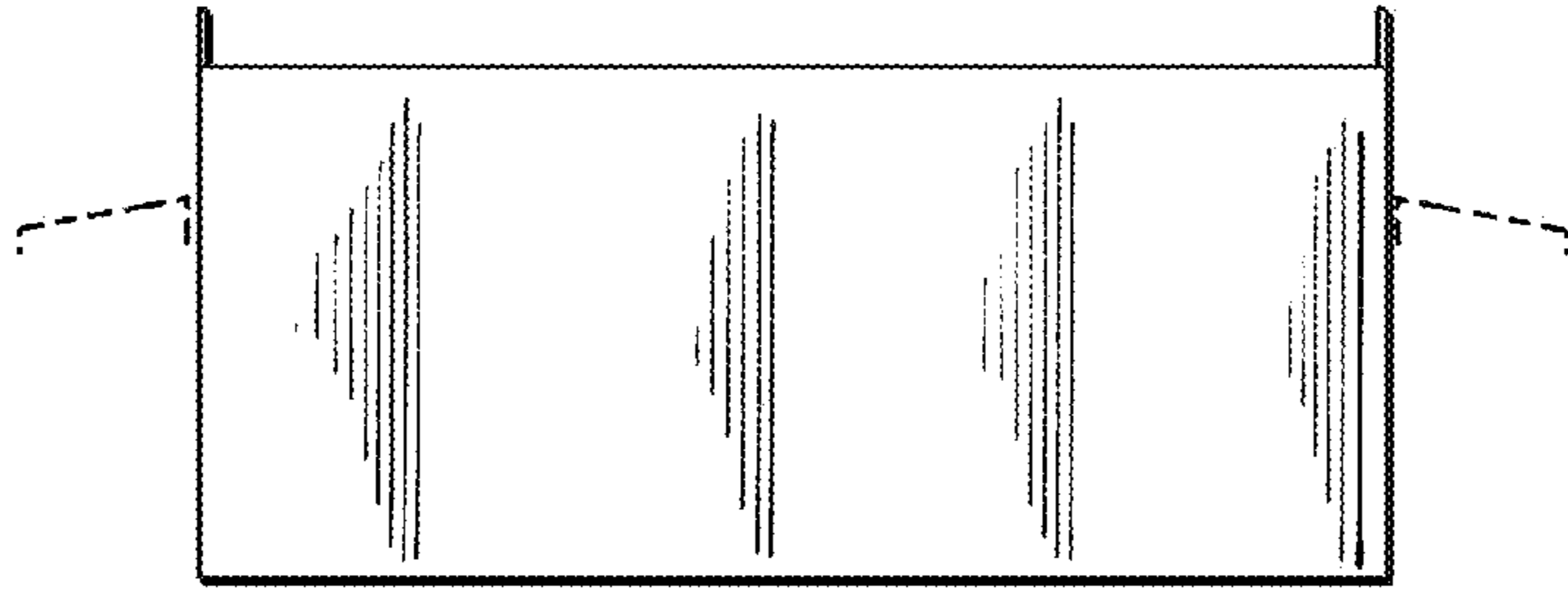
*Fig. 2*



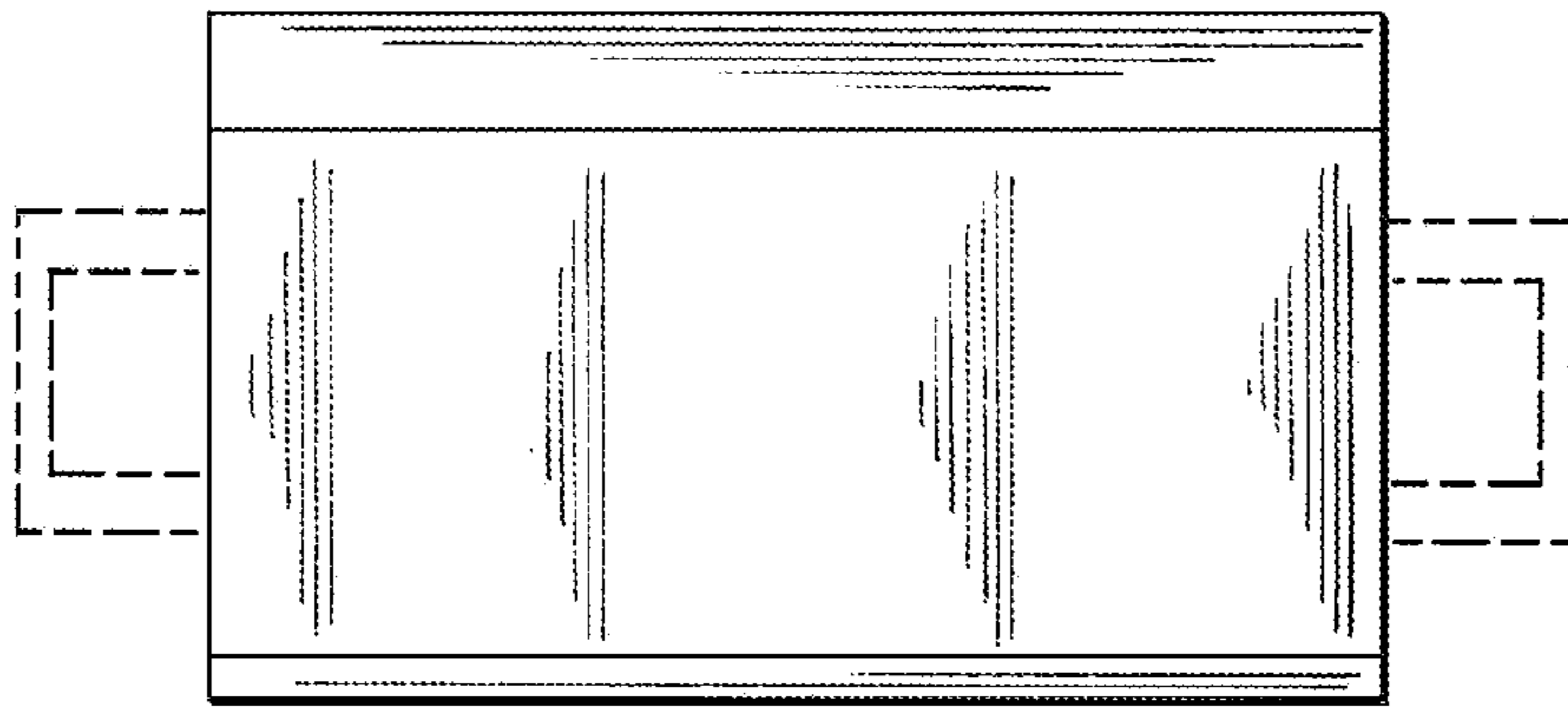
*Fig. 3*



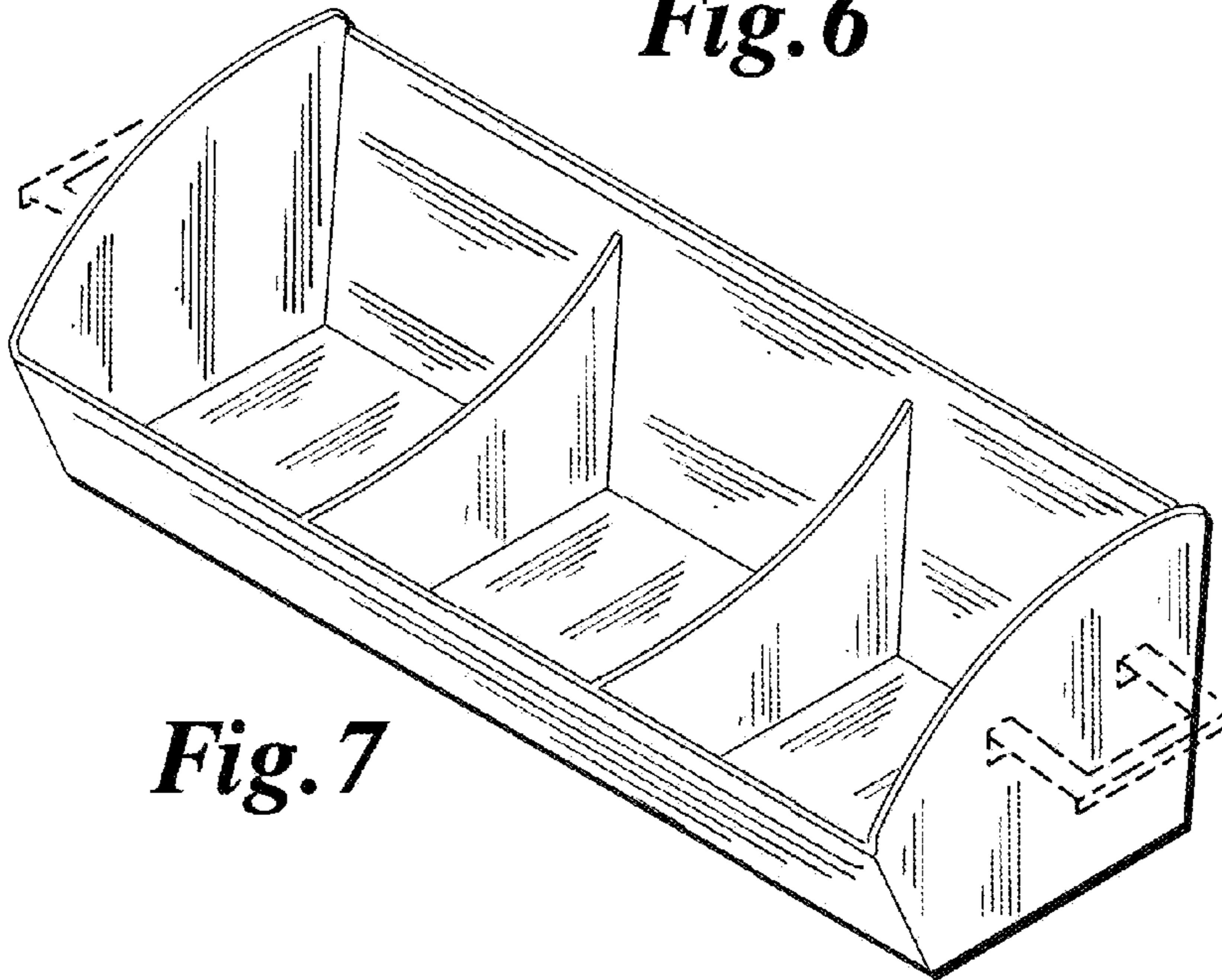
*Fig. 4*



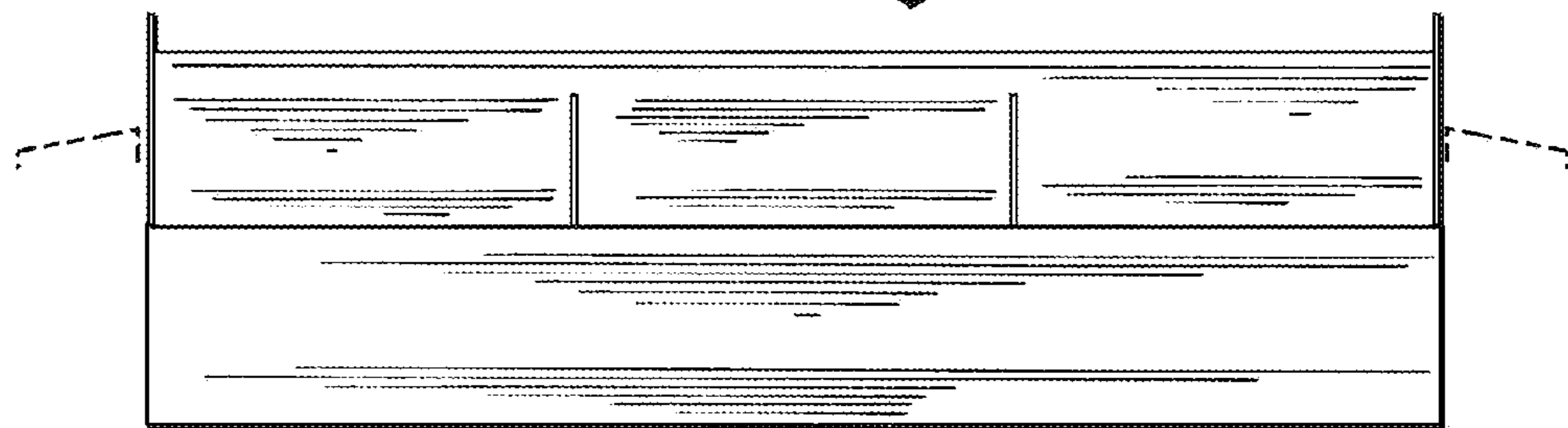
*Fig. 5*



*Fig. 6*

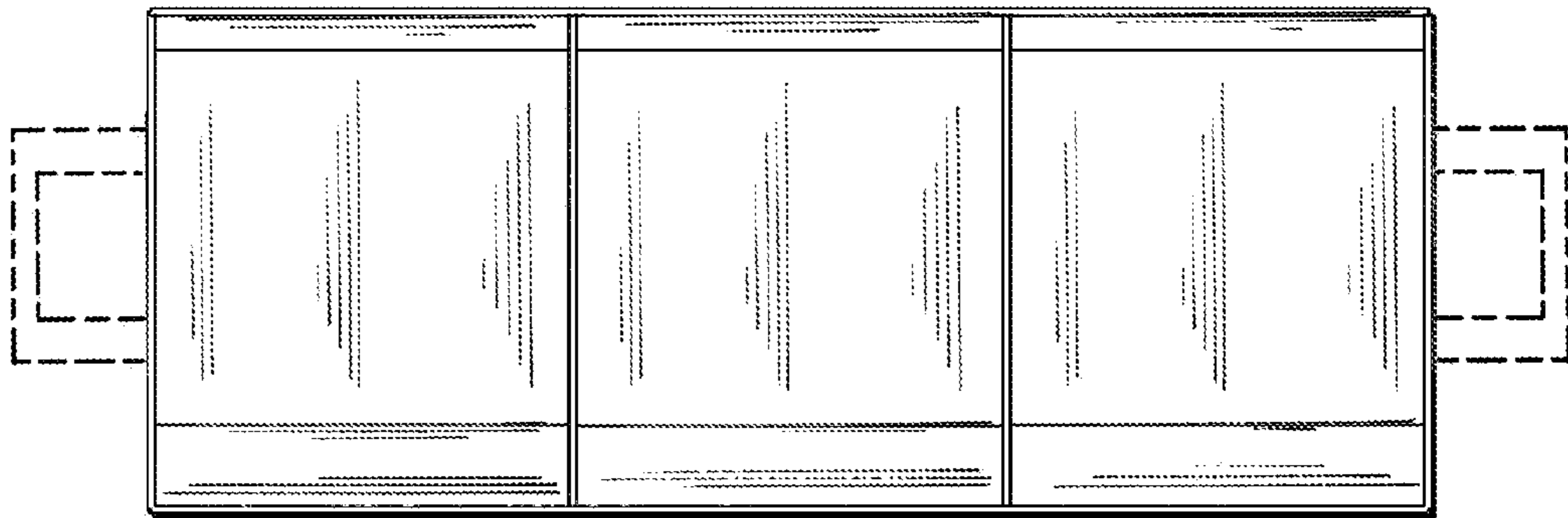


*Fig. 7*

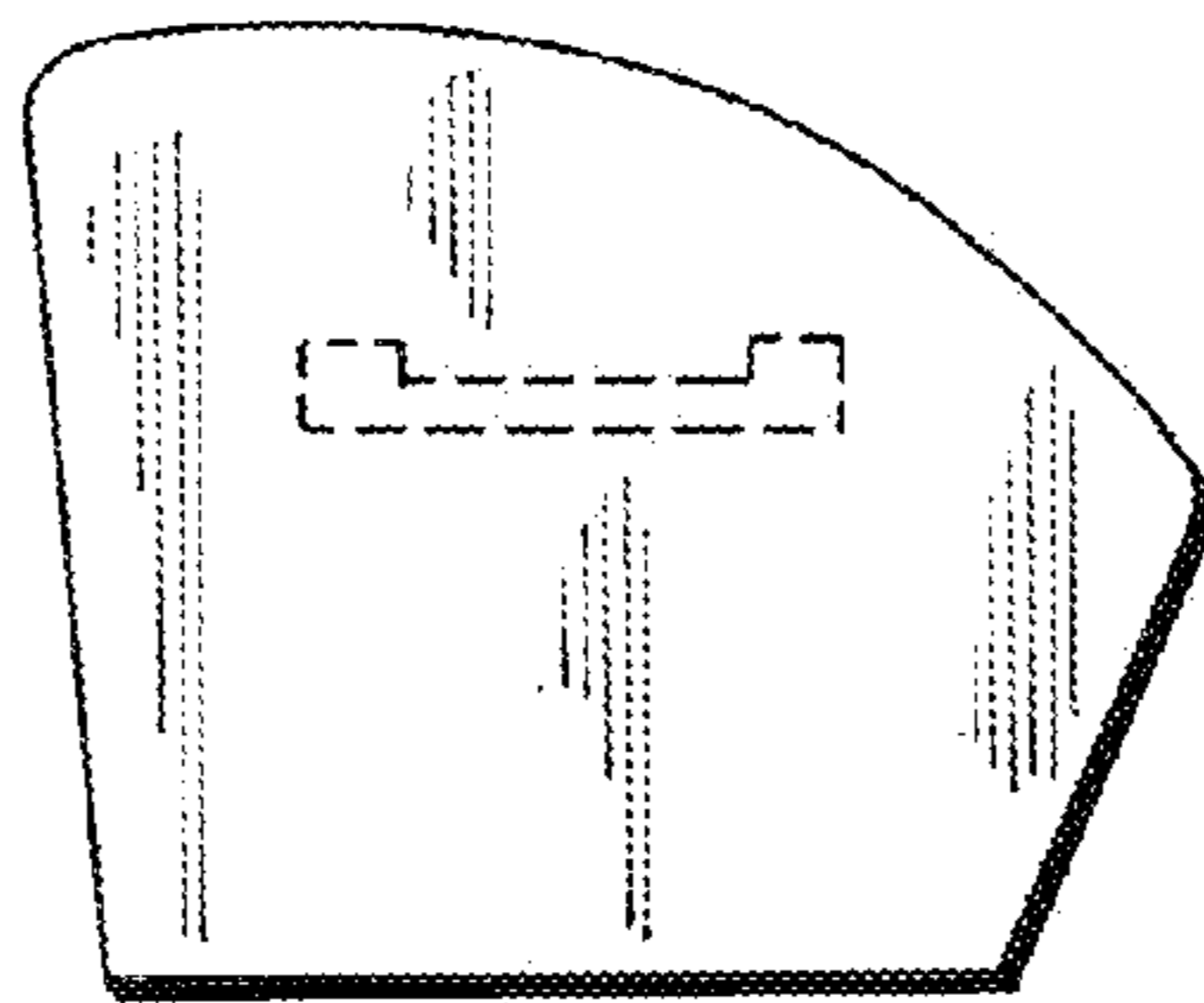


*Fig. 8*

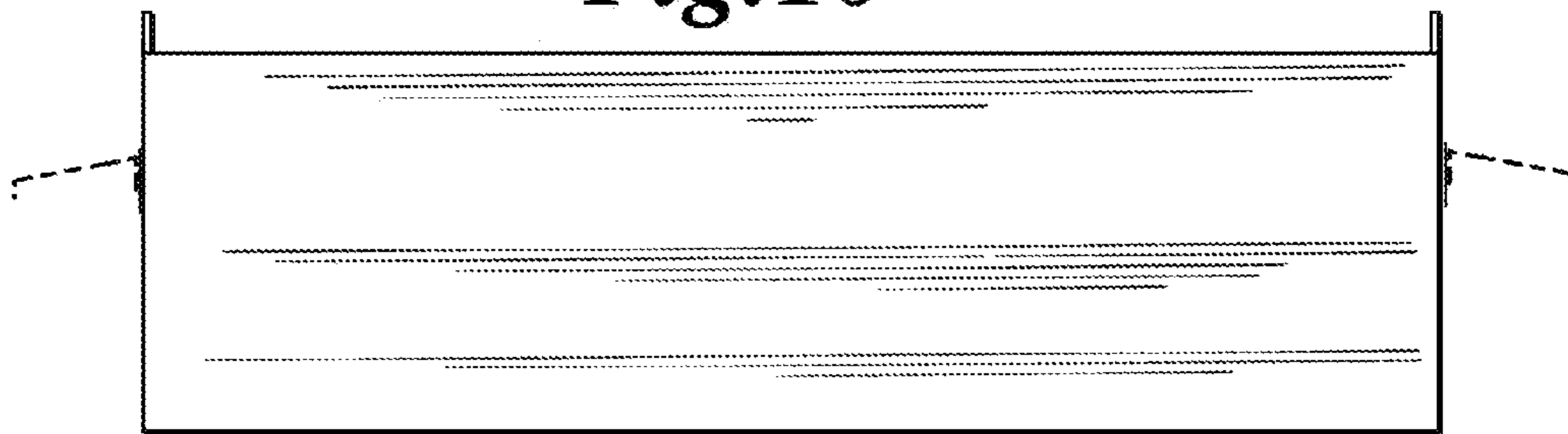




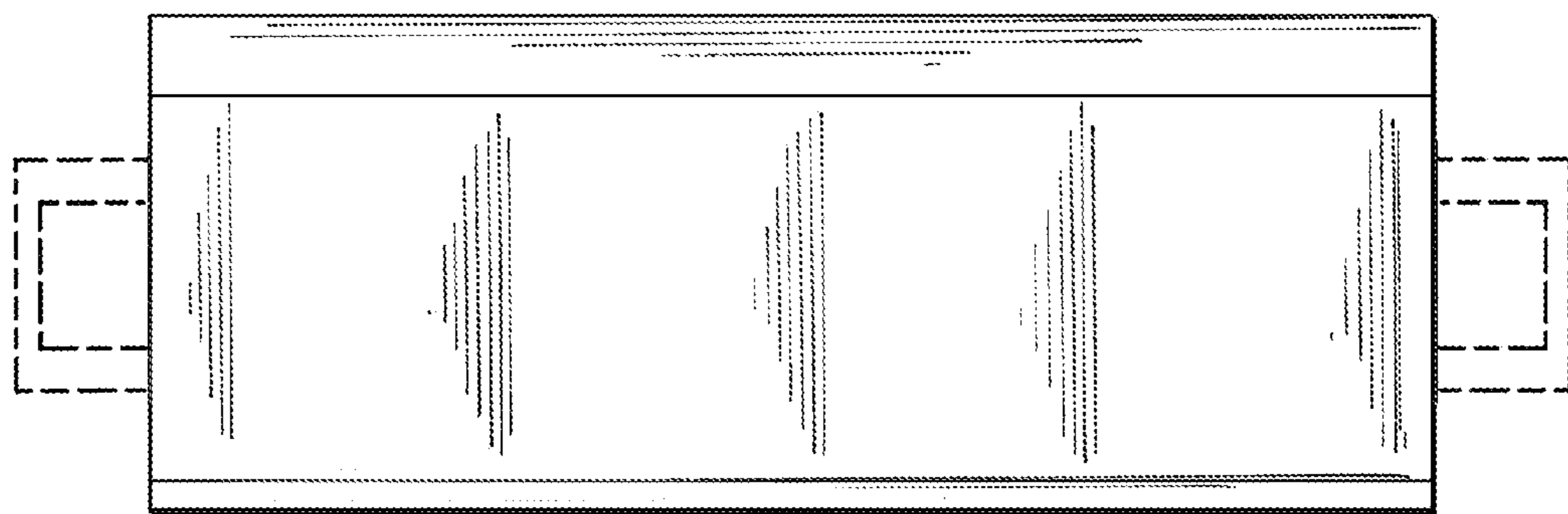
*Fig. 9*



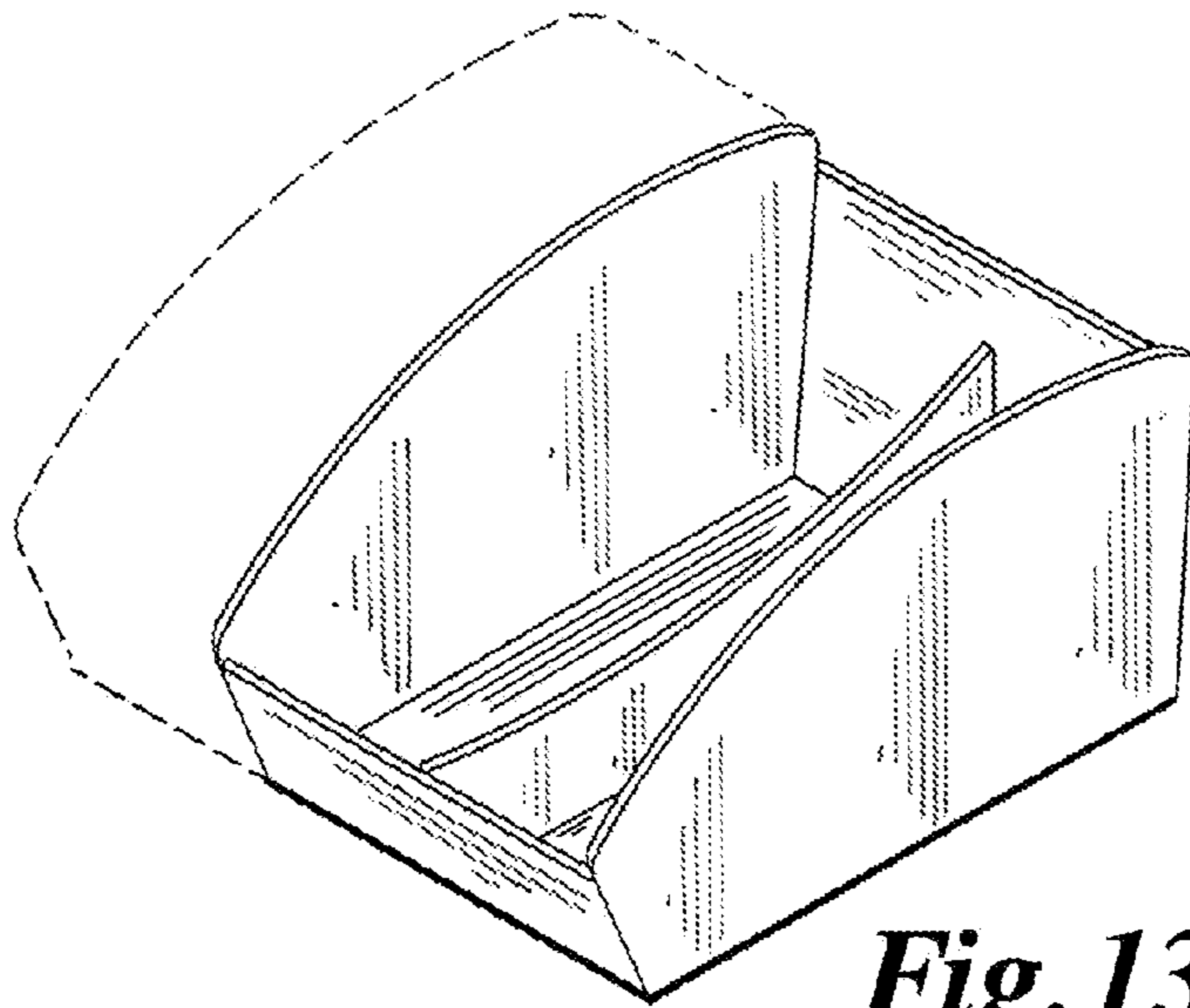
*Fig. 10*



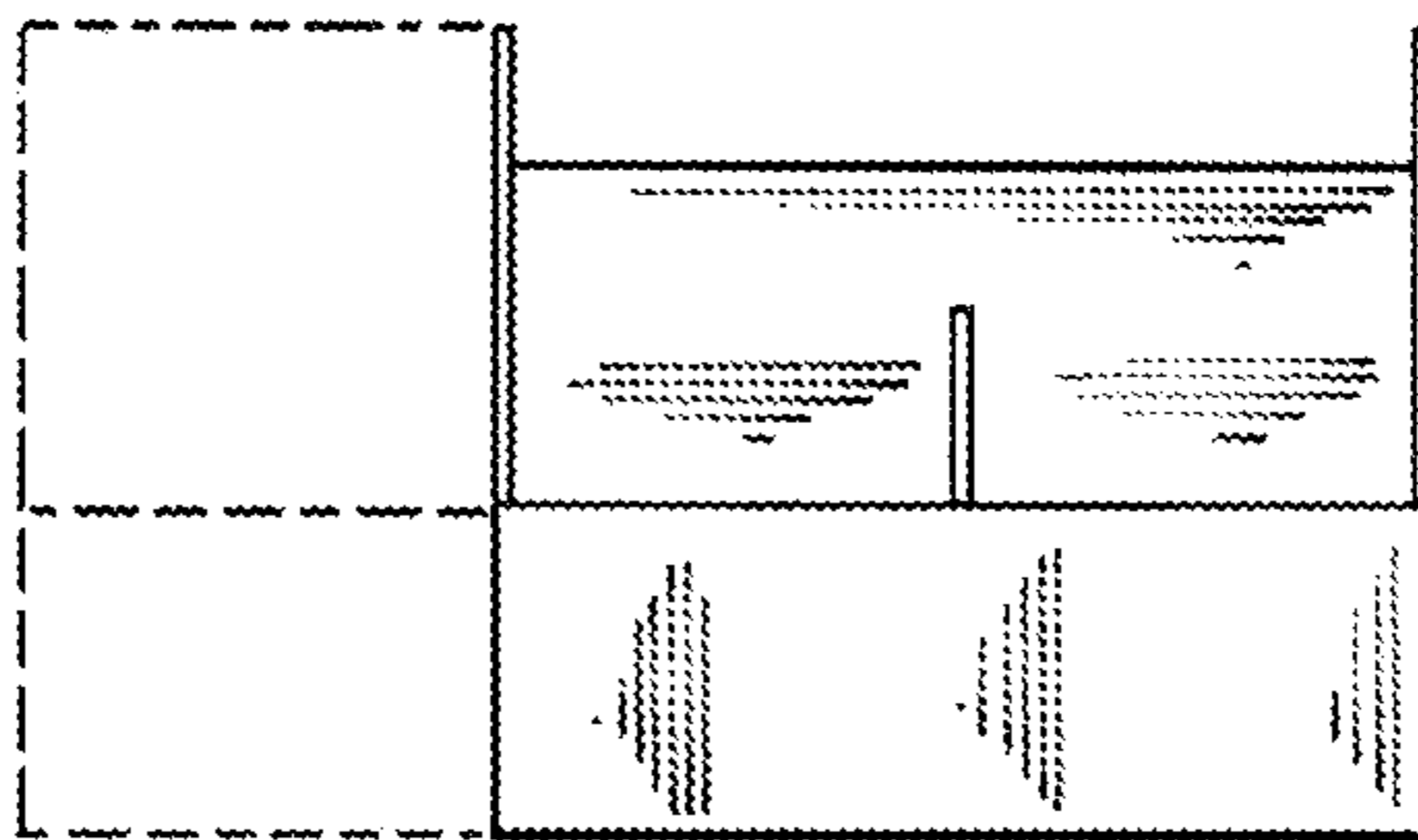
*Fig. 11*



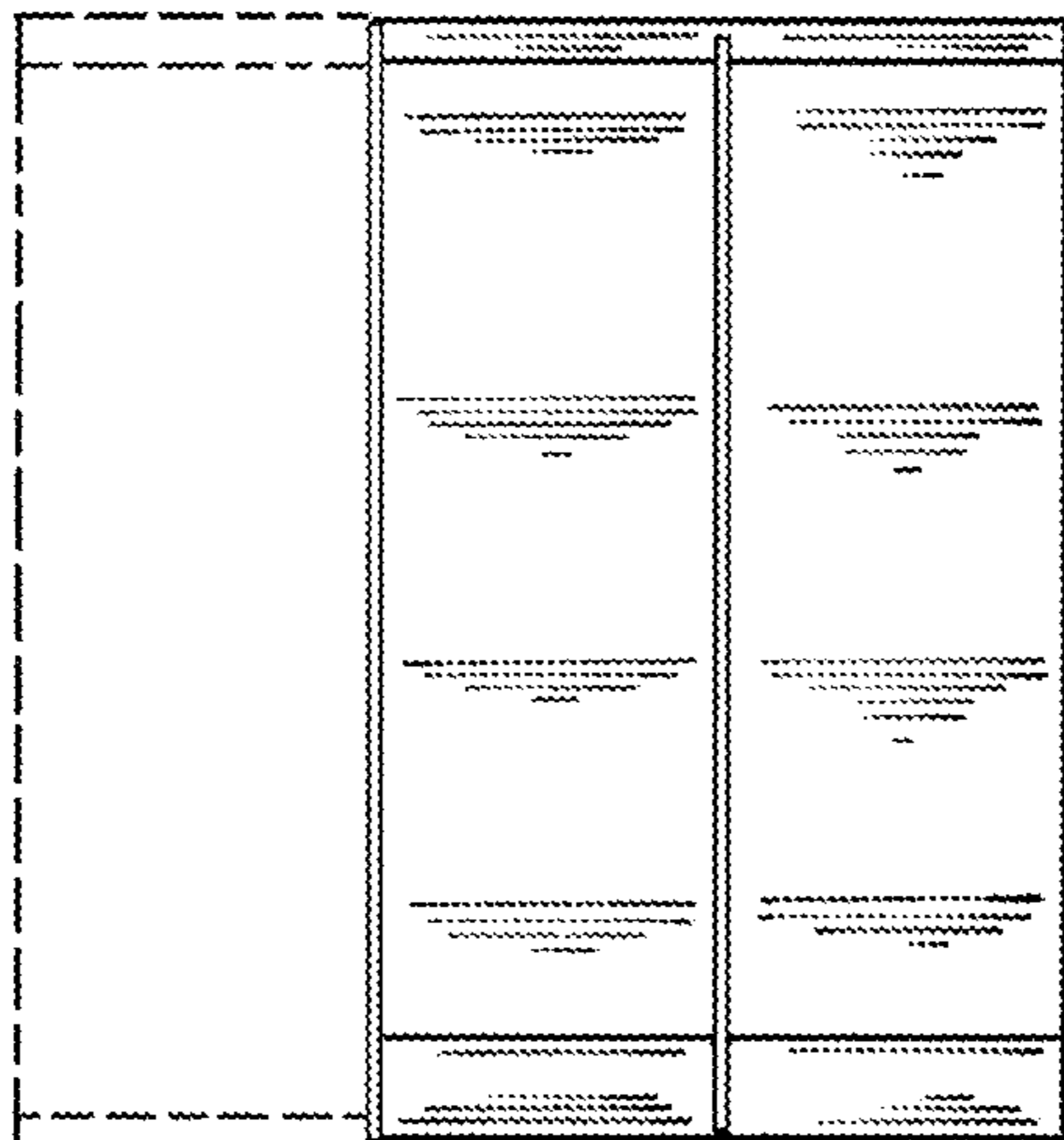
*Fig. 12*



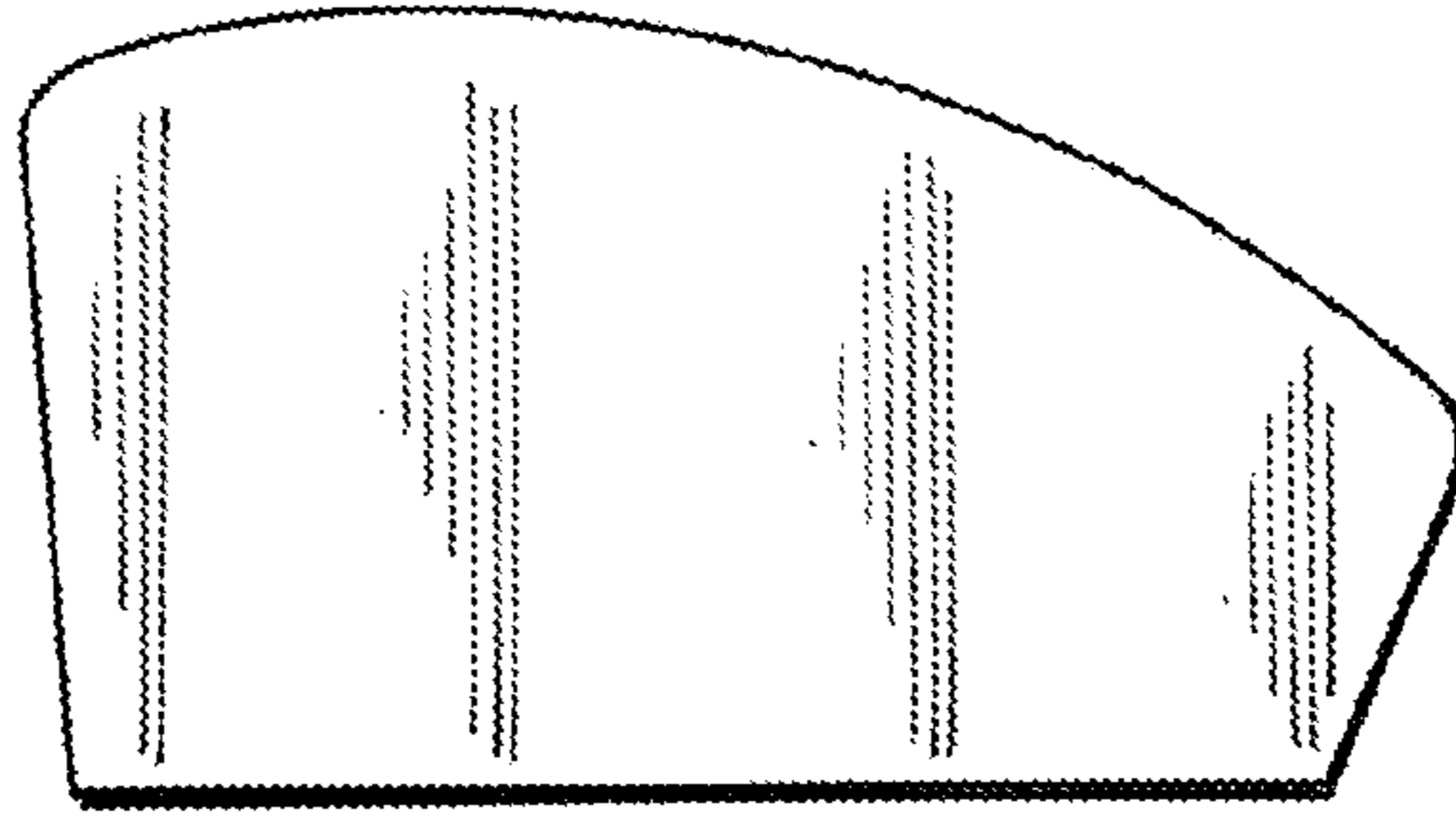
*Fig. 13*



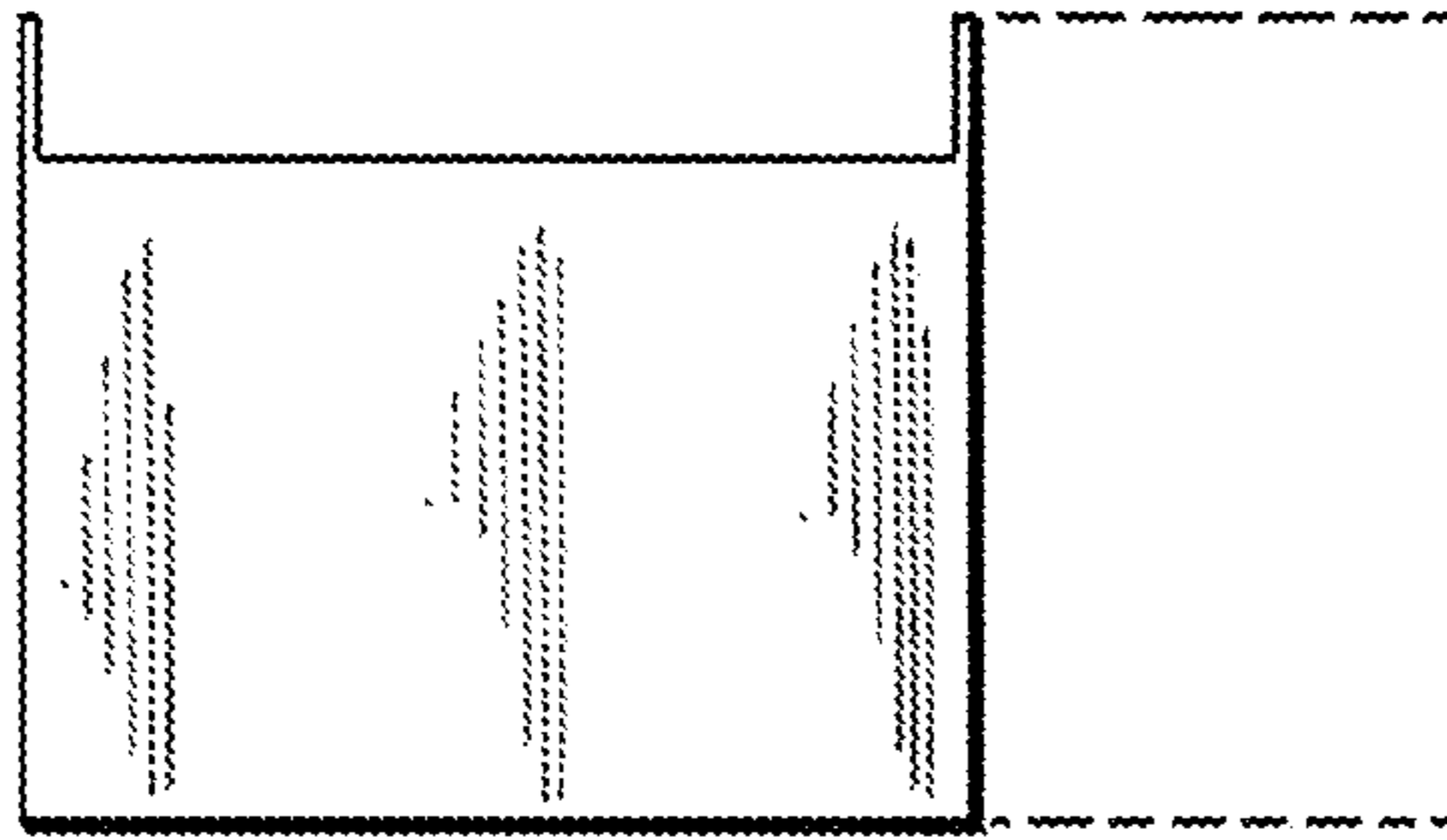
*Fig. 14*



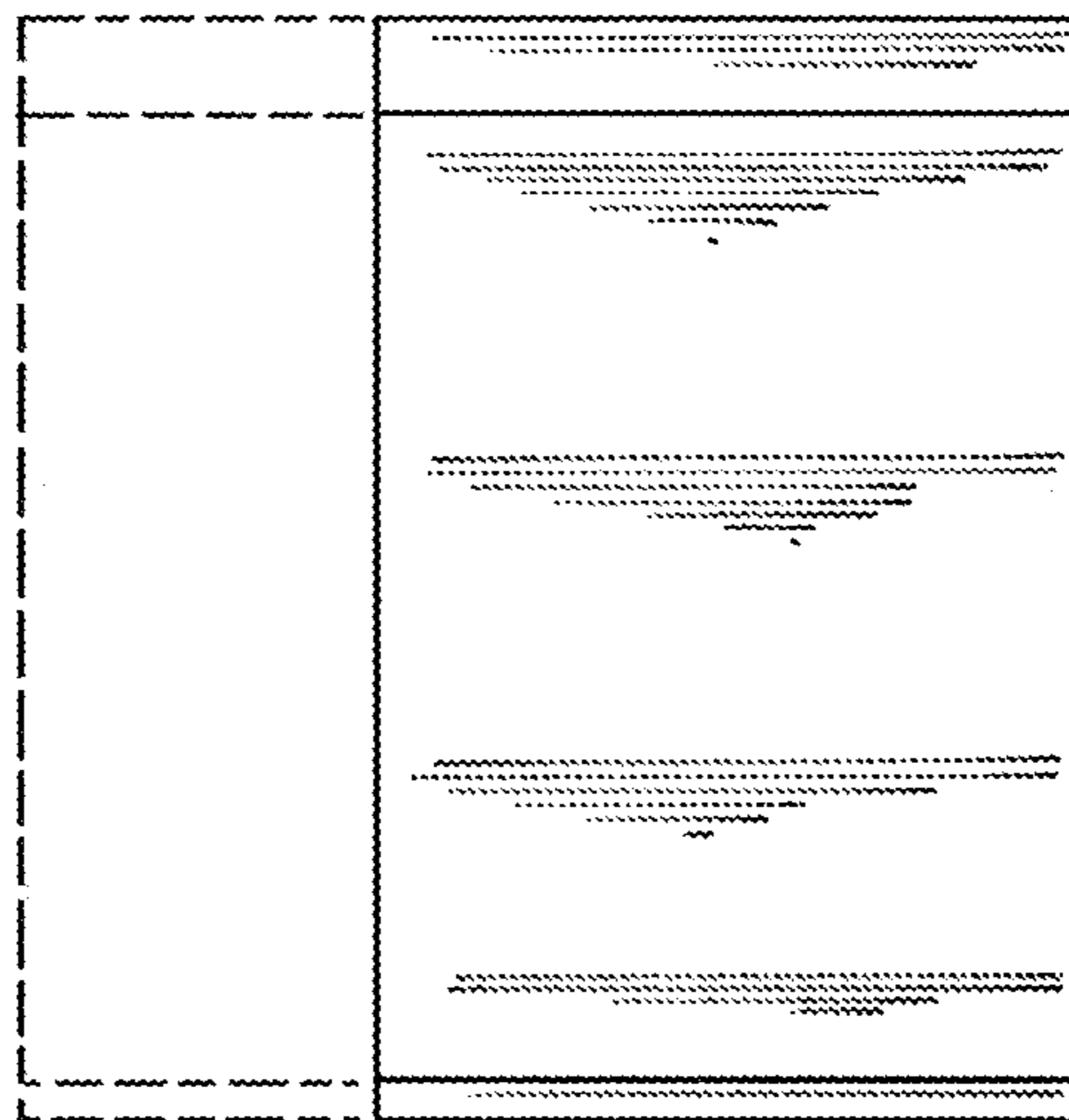
*Fig. 15*



***Fig. 16***



***Fig. 17***



***Fig. 18***