



US00D651799S

(12) **United States Design Patent**
Dial

(10) **Patent No.:** **US D651,799 S**

(45) **Date of Patent:** **** Jan. 10, 2012**

(54) **ELECTRONIC DEVICE HOLDER**

Primary Examiner — Holly Baynham

(76) **Inventor:** **Gary G. Dial**, Newport Beach, CA (US)

(74) *Attorney, Agent, or Firm* — Hani Z. Sayed; Rutan & Tucker, LLP

(**) **Term:** **14 Years**

(21) **Appl. No.:** **29/377,087**

(57) **CLAIM**

(22) **Filed:** **Oct. 15, 2010**

The ornamental design for electronic device holder, as shown and described.

(51) **LOC (9) Cl.** **03-01**

(52) **U.S. Cl.** **D3/301**

(58) **Field of Classification Search** D3/215,
D3/218, 301, 247, 349-252; 150/100, 103-110,
150/113-114, 118-119

DESCRIPTION

See application file for complete search history.

FIG. 1 is a top, front, left side view perspective view of a electronic device holder showing our new design;
FIG. 2 is a front elevation view;
FIG. 3 is a rear elevation view;
FIG. 4 is a right side view;
FIG. 5 is a left side view;
FIG. 6 is a top plane view; and,
FIG. 7 is a bottom plane view.

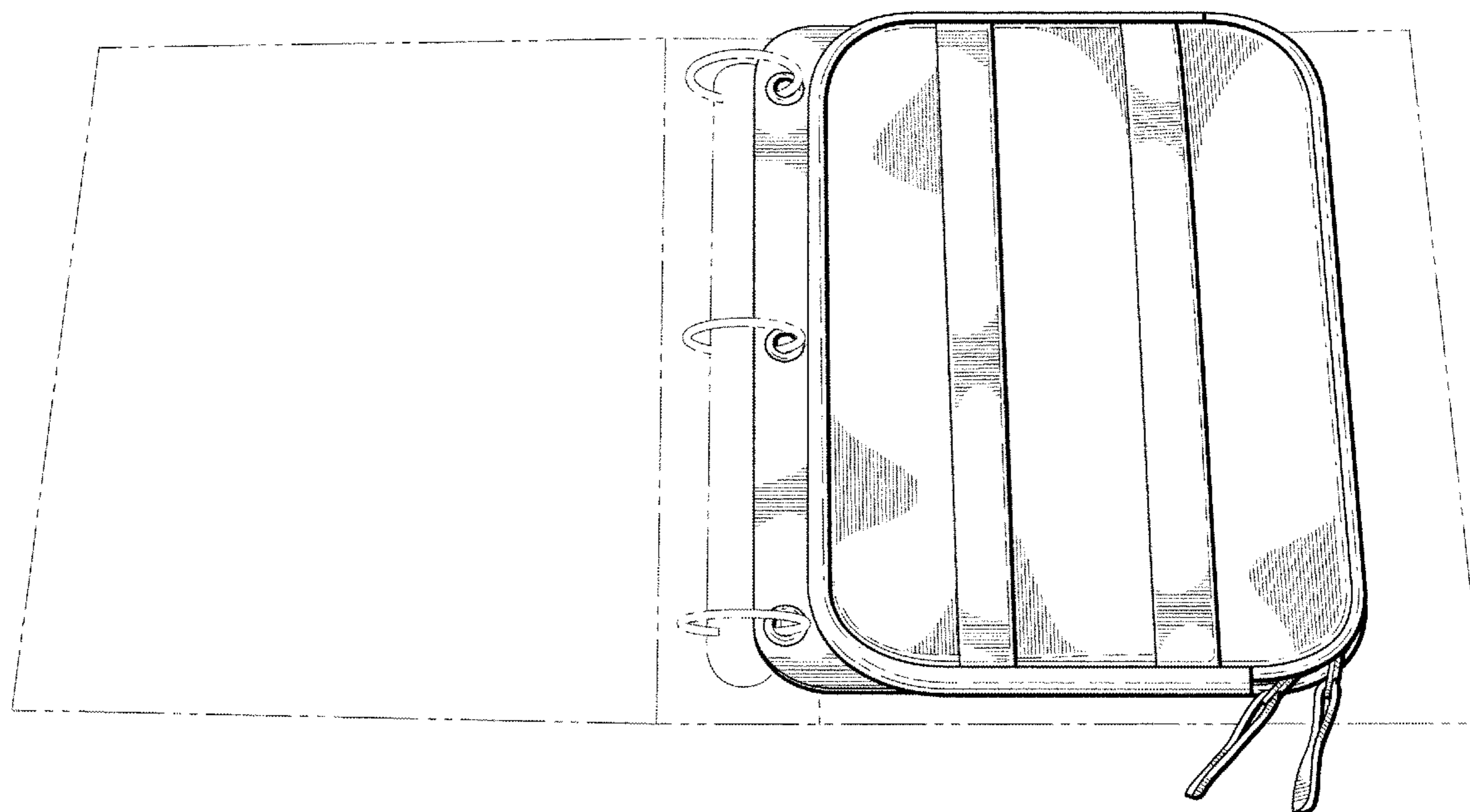
(56) **References Cited**

U.S. PATENT DOCUMENTS

D238,619 S *	1/1976	Barad	D3/303
D264,895 S *	6/1982	Hoefert	D3/303
5,257,656 A *	11/1993	McLeroy	150/132

* cited by examiner

1 Claim, 4 Drawing Sheets



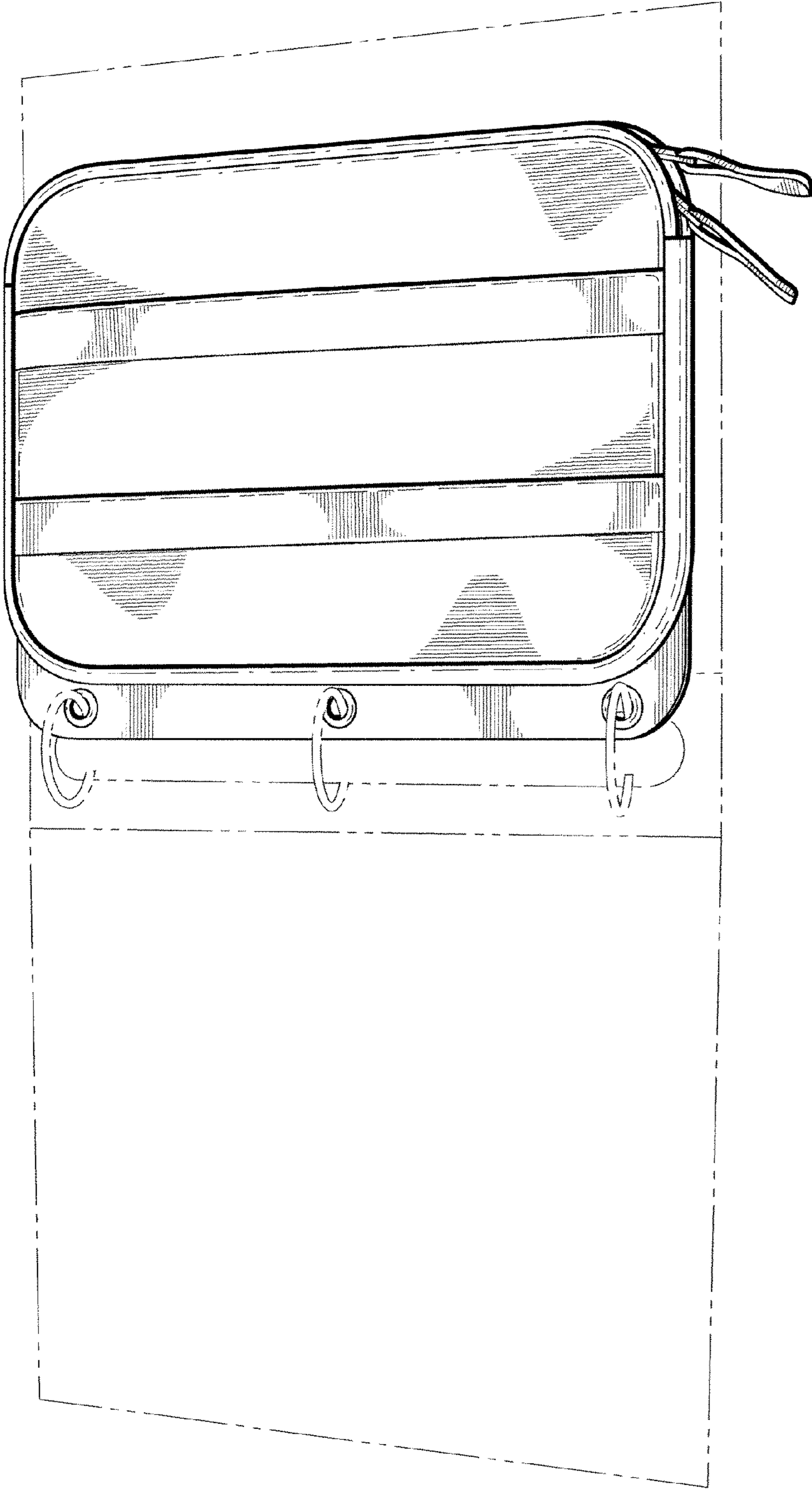


FIG. 1

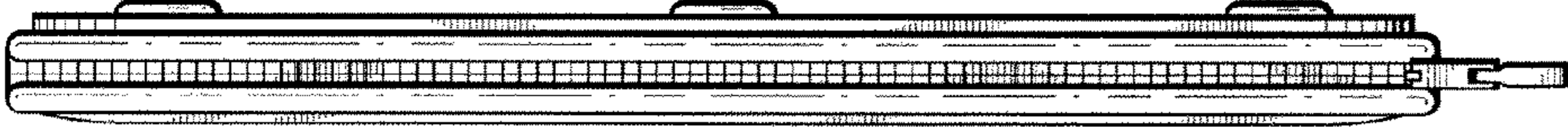


FIG. 4

FIG. 2

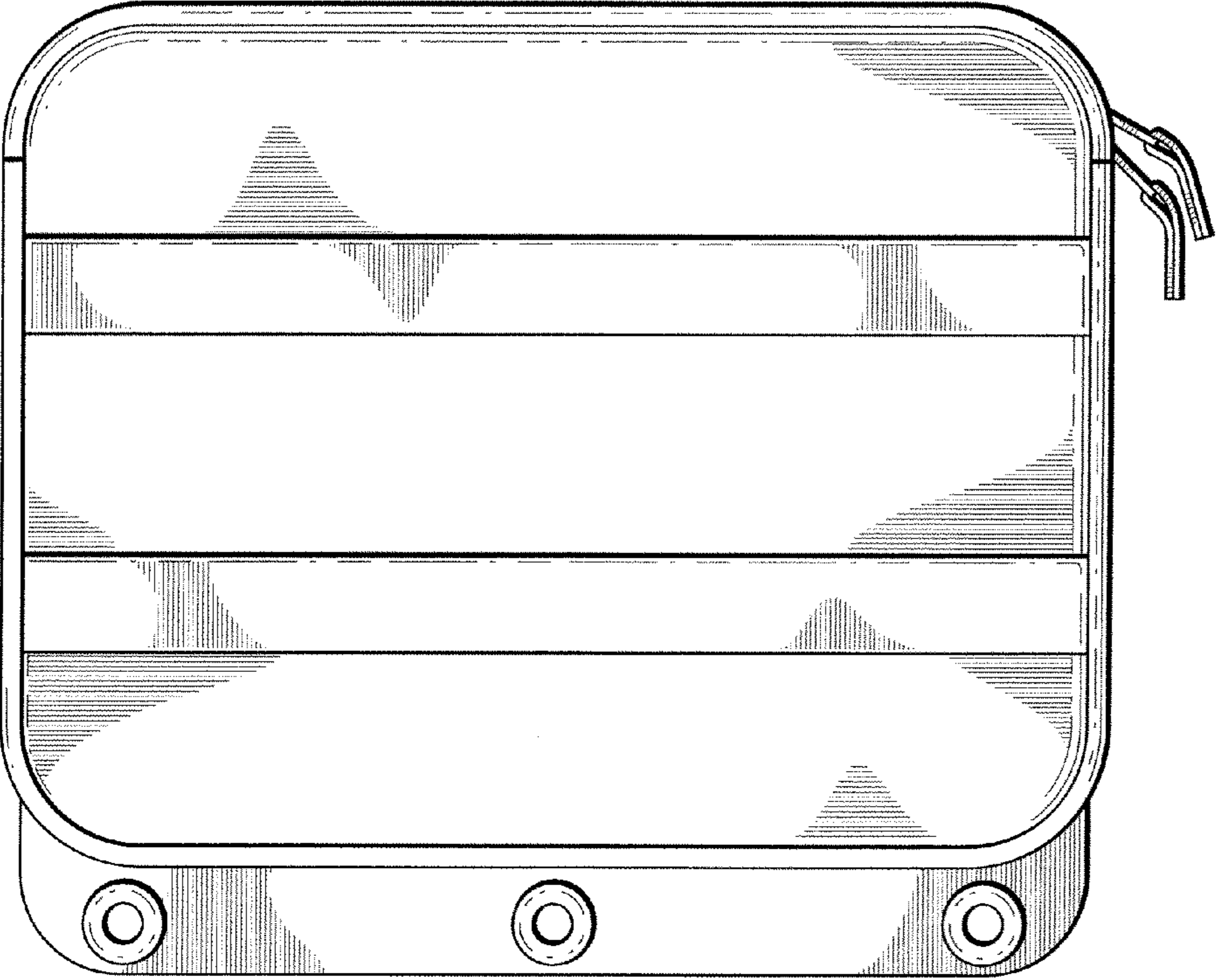




FIG. 5

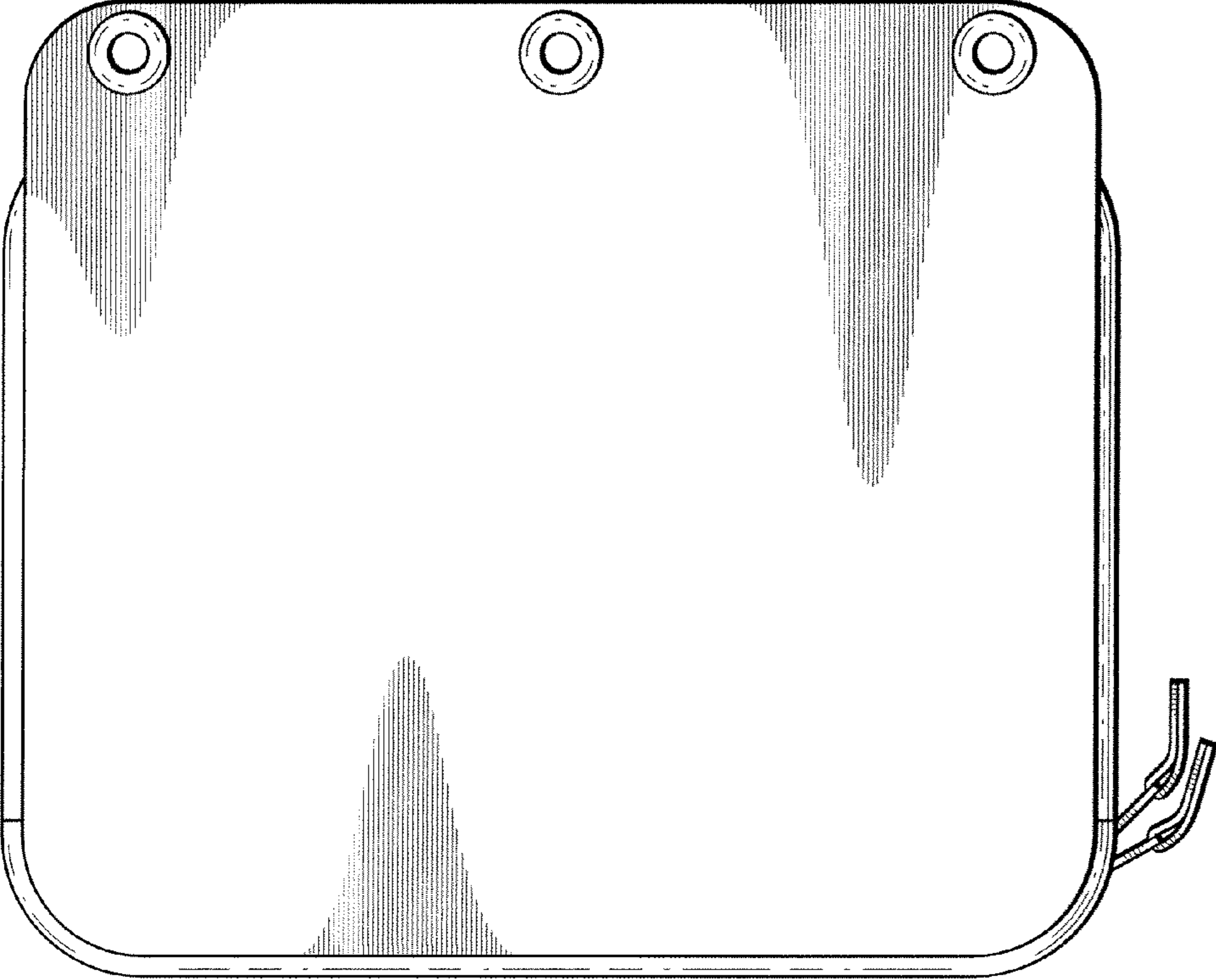


FIG. 3

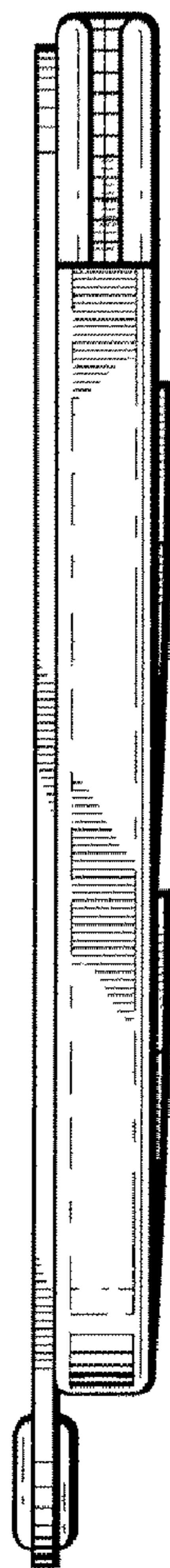


FIG. 6

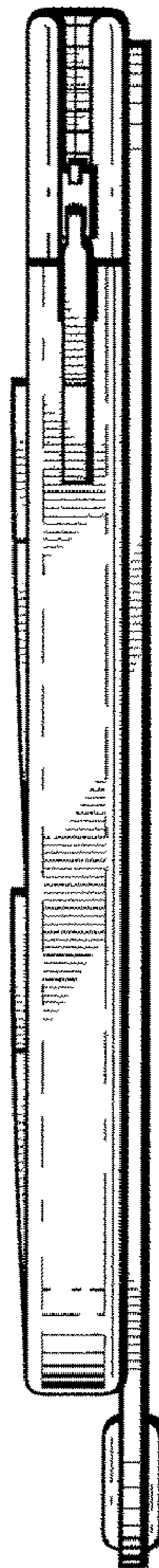


FIG. 7