

US00D651795S

(12) **United States Design Patent**
Buie, II

(10) **Patent No.:** **US D651,795 S**
(45) **Date of Patent:** **** Jan. 10, 2012**

(54) **GUN CLEANING KIT ENCLOSURE**
(75) Inventor: **James H. Buie, II**, Little Rock, AR (US)
(73) Assignee: **DAC Technologies Group International, Inc.**, Little Rock, AR (US)
(**) Term: **14 Years**
(21) Appl. No.: **29/372,497**

5,972,125 A 10/1999 Hedge
6,126,005 A 10/2000 Long, Jr.
6,209,723 B1 4/2001 Fields
6,244,899 B1 6/2001 Bogursky
6,269,579 B1 8/2001 Warner
6,701,657 B1 3/2004 Hudspeth
7,020,994 B2 4/2006 Buie, II
D535,476 S 1/2007 Pennington
7,165,673 B2 1/2007 Marks
7,281,346 B1* 10/2007 Cook et al. 42/94
7,356,961 B2 4/2008 Williams
7,367,151 B1 5/2008 Black
D602,663 S 10/2009 Pennington

* cited by examiner

(22) Filed: **Nov. 29, 2010**
(51) **LOC (9) Cl.** **03-01**
(52) **U.S. Cl.** **D3/262**
(58) **Field of Classification Search** D3/271.1,
D3/262; 206/315.11, 373, 457; 42/94
See application file for complete search history.

Primary Examiner — Holly Baynham
(74) *Attorney, Agent, or Firm* — Stephen D Carver

(57) **CLAIM**
The ornamental design for a gun cleaning kit enclosure, as shown and described.

(56) **References Cited**

U.S. PATENT DOCUMENTS

4,807,381 A 2/1989 Southard
4,873,777 A 10/1989 Southard
4,901,464 A 2/1990 Banoun
D310,302 S 9/1990 Southard
D313,886 S 1/1991 Southard
5,052,555 A 10/1991 Harmon
5,058,302 A* 10/1991 Minneman 42/94
5,075,998 A 12/1991 Selleck
5,202,523 A 4/1993 Grossman
5,317,827 A 6/1994 Jaremco
5,379,542 A 1/1995 Guzman
D359,392 S* 6/1995 Bellington D3/262
5,427,239 A 6/1995 Hunt
D362,116 S* 9/1995 Bellington et al. D3/262
D372,580 S* 8/1996 Chipman, Sr. D3/262
5,775,021 A 7/1998 Weiss

DESCRIPTION

FIG. 1 is a frontal isometric view of my new gun cleaning kit enclosure;
FIG. 2 is a rear isometric view thereof;
FIG. 3 is front plan view thereof,
FIG. 4 is an end elevational view thereof, the opposite end view comprising a mirror image;
FIG. 5 is a top plan view, thereof; and,
FIG. 6 is a front plan view thereof with the environment, namely a rifle, indicated in dashed lines.
The broken lines showing a gun are for the purposes of illustrating environment and form no part of the claimed design.

1 Claim, 5 Drawing Sheets

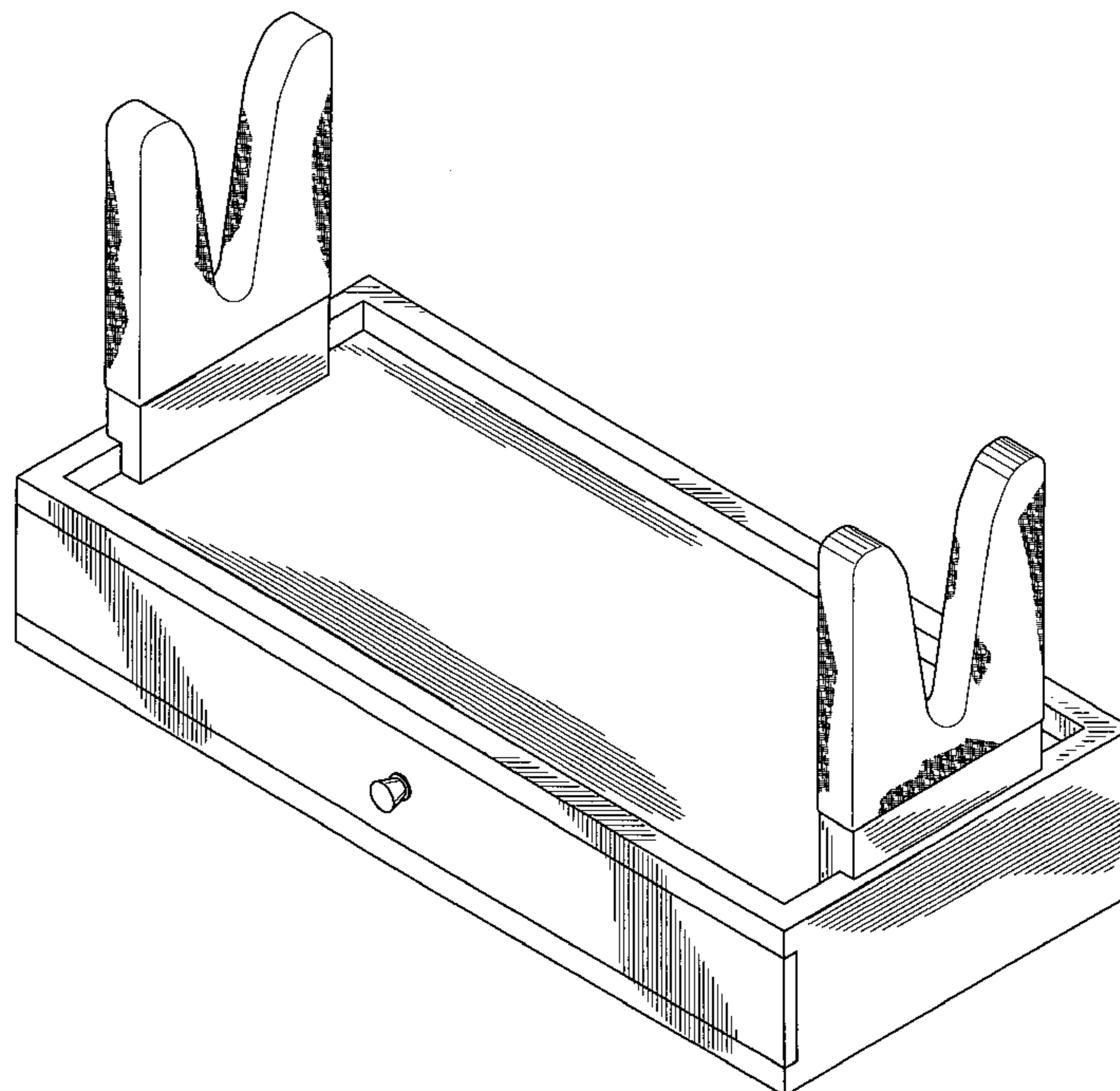
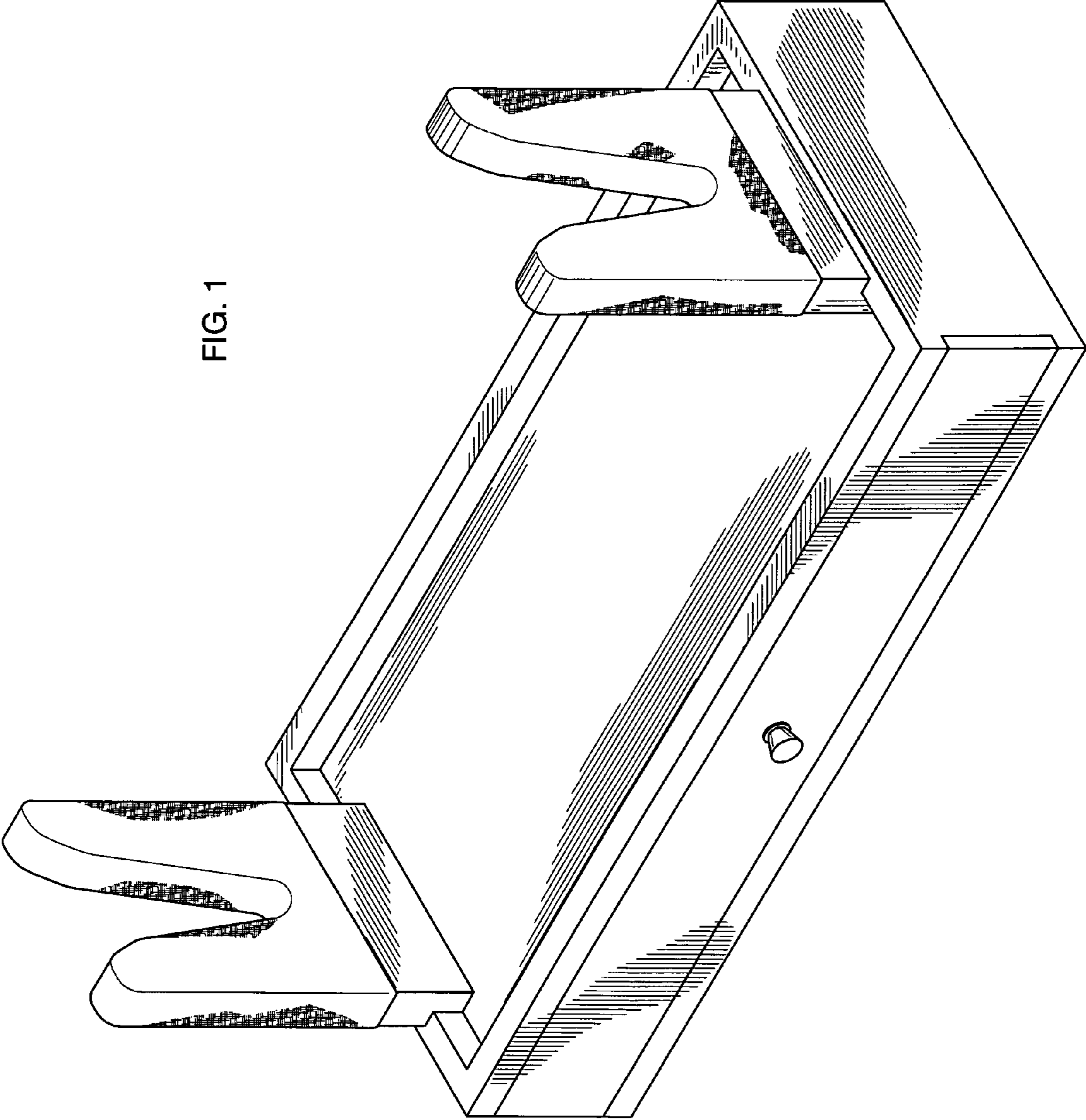


FIG. 1



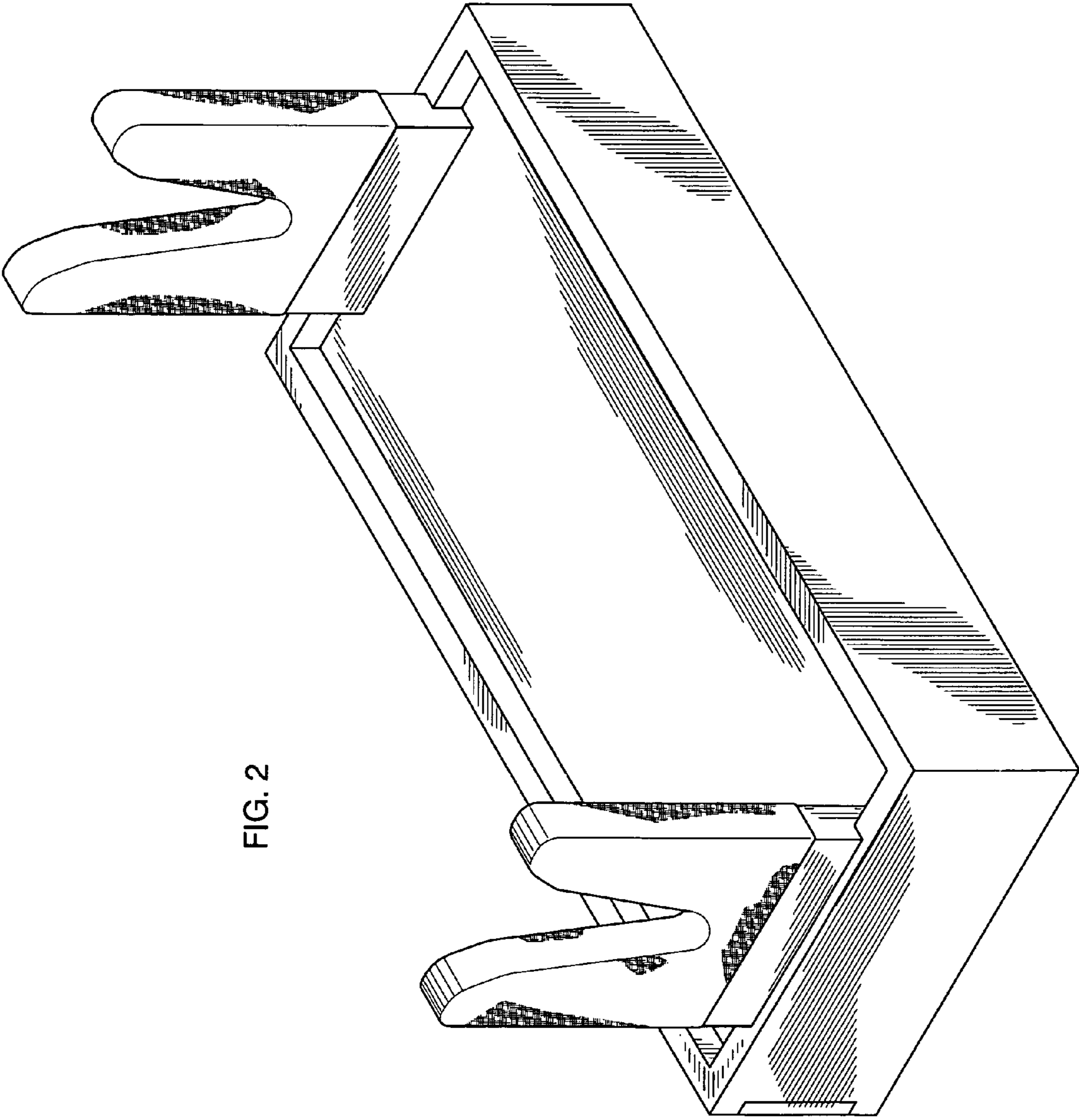


FIG. 2

FIG. 3

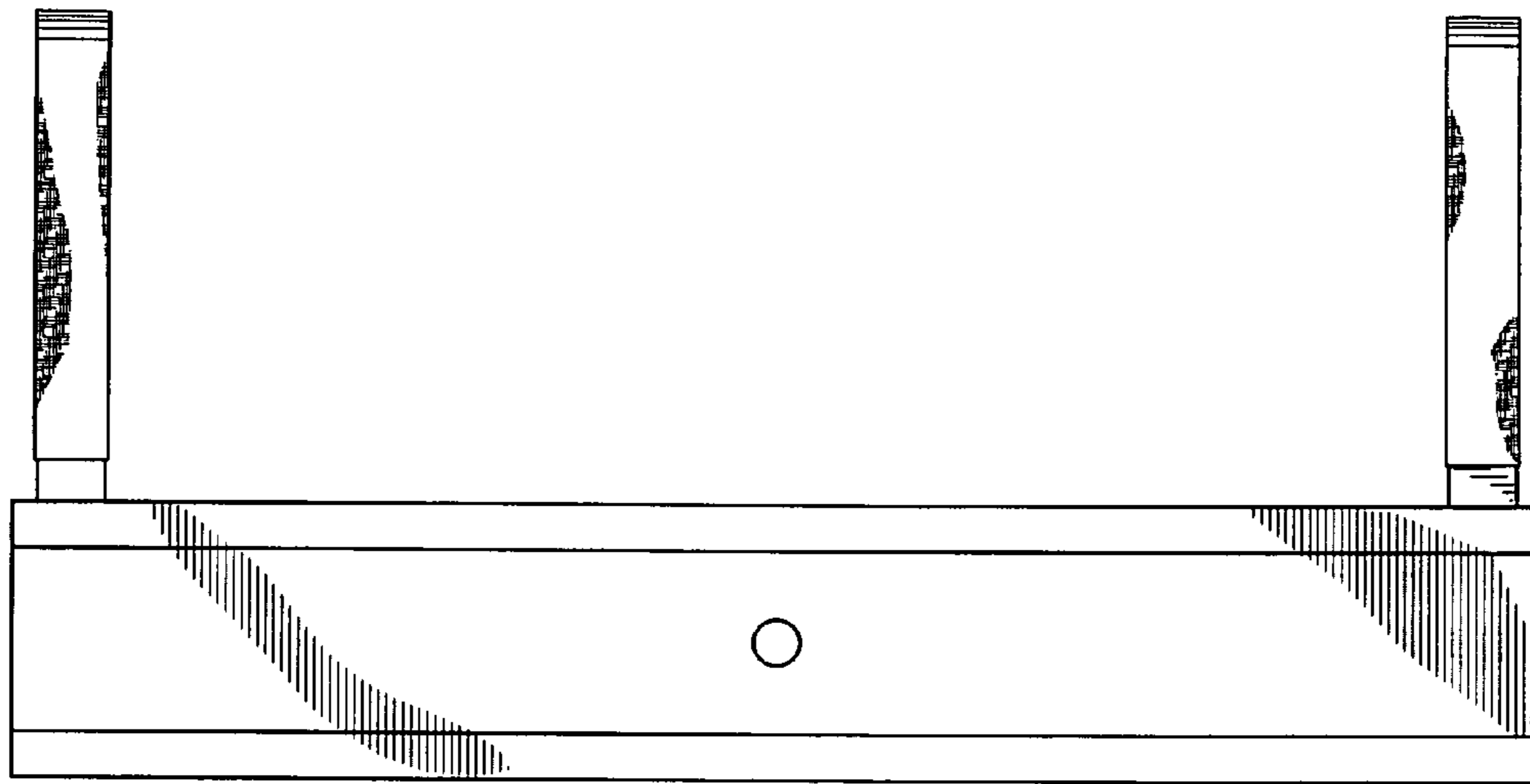


FIG. 4

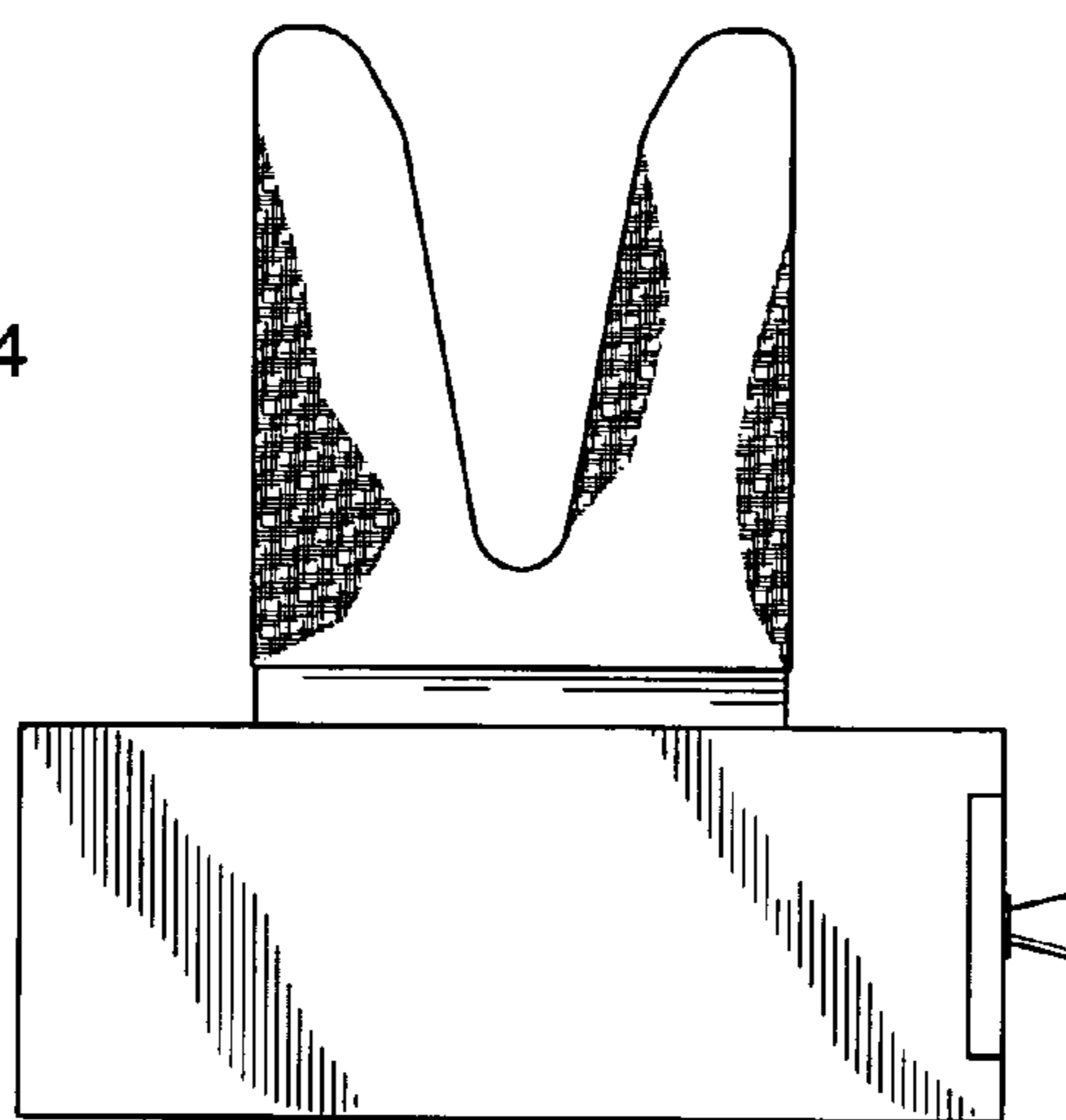


FIG. 5

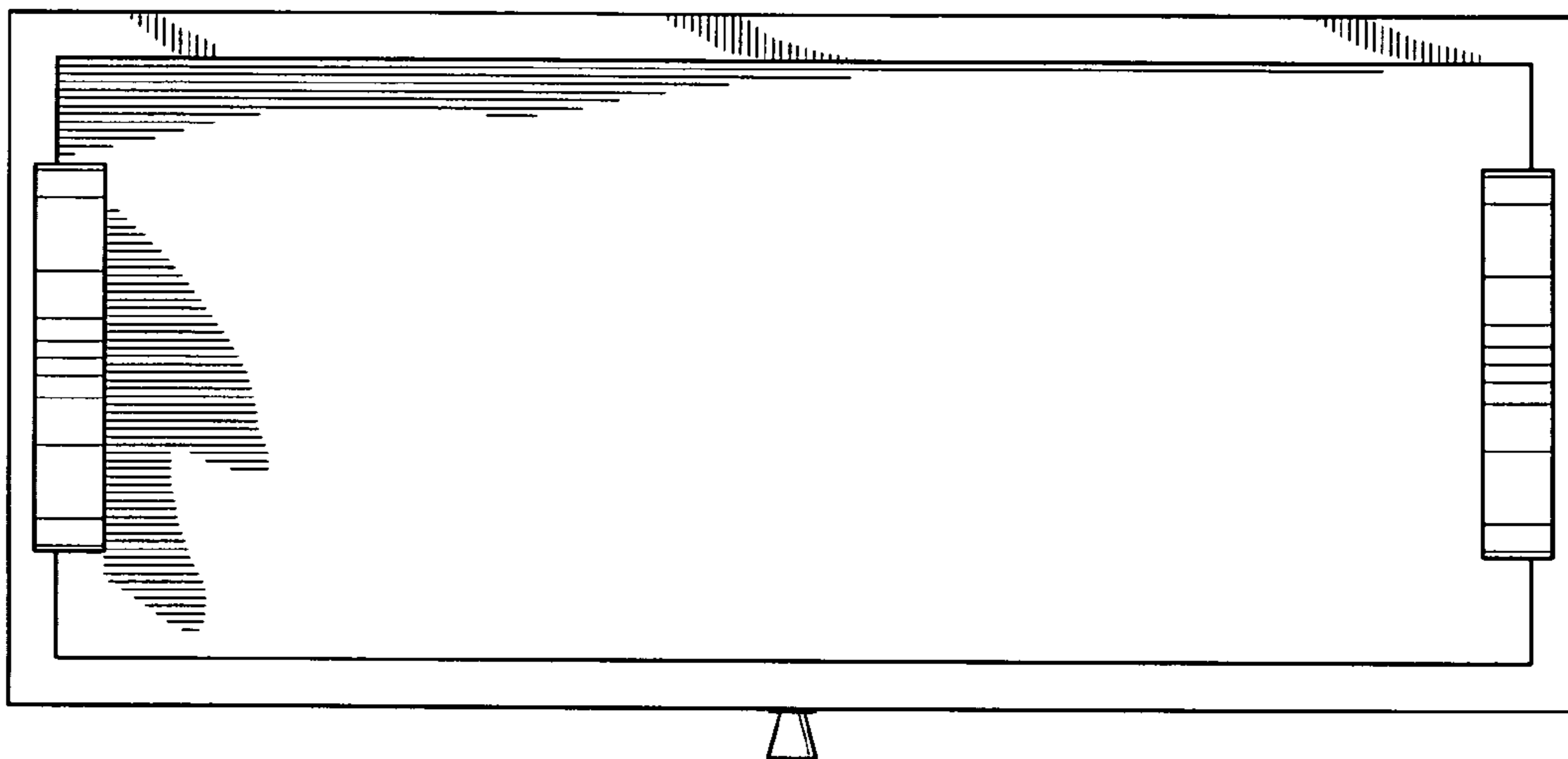


FIG. 6

