



US00D651793S

(12) **United States Design Patent**
Willows et al.

(10) **Patent No.:** **US D651,793 S**
(45) **Date of Patent:** **** Jan. 10, 2012**

(54) **POUCH**

DESCRIPTION

(76) Inventors: **Keith Willows**, Seattle, WA (US);
Antonio del Rosario, Bellevue, WA
(US); **June Angus**, Seattle, WA (US)

(**) Term: **14 Years**

(21) Appl. No.: **29/373,505**

(22) Filed: **Apr. 16, 2011**

(51) **LOC (9) Cl.** **03-01**

(52) **U.S. Cl.** **D3/226**

(58) **Field of Classification Search** D3/226,
D3/215, 221, 218-219, 230, 232-234; 224/219,
224/222, 267, 269, 236, 240-241, 683-684,
224/587, 660, 677, 914; 2/169-170; D2/625-629;
383/59-61, 61.2, 69, 85

See application file for complete search history.

(56) **References Cited**

U.S. PATENT DOCUMENTS

5,577,653 A * 11/1996 Bieker 224/684
D380,086 S * 6/1997 Brassard D3/215
D406,455 S * 3/1999 Wagner, II D3/226
D622,058 S * 8/2010 Wagner, II D3/226

* cited by examiner

Primary Examiner — Catheri Oliver

(57) **CLAIM**

The ornamental design for a pouch, as shown and described.

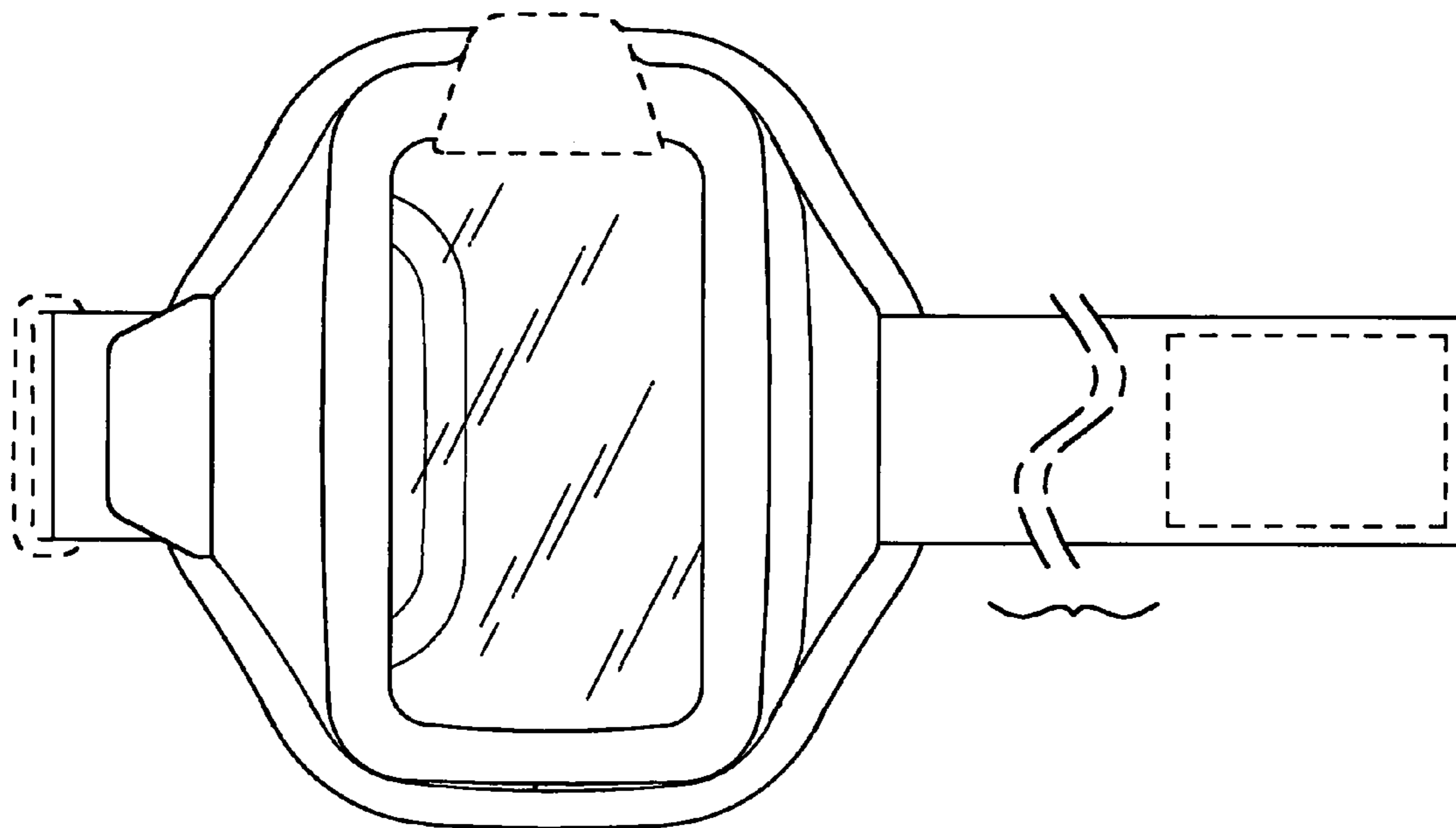
FIG. 1 is a front view of a pouch showing our new design;
FIG. 2 is a top view thereof;
FIG. 3 is a bottom view thereof;
FIG. 4 is a rear view thereof;
FIG. 5 is a left side view thereof;
FIG. 6 is a right side view thereof.
FIG. 7 is a front view, showing the pouch with strap portion removed so that a user may wear the pouch on belt or the like;
FIG. 8 is a top view thereof;
FIG. 9 is a bottom view thereof;
FIG. 10 is a rear view thereof;
FIG. 11 is a left side view thereof; and,
FIG. 12 is a right side view thereof.

The strap is shown broken away in FIGS. 1-4 to indicate indeterminate length.

The broken lines showing a keystone-shape (as viewed from the FIG. 1) pouch logo tag in FIGS. 1-3, 5-9 and 11-12, loop in FIGS. 1-5, strap rectangle (as viewed from the front view) of Velcro in FIGS. 1-3 and 6, strap keystone-shape (as viewed from the FIG. 4) logo tag in FIGS. 2-4 and 6, pouch zipper pull in FIGS. 2, 5, 6, 8, 11, 12 and zipper in FIGS. 2, 3, 5, 8, 9, and 11 is for illustrative purposes only and forms no part of the claimed design.

The article in which the present design is embodied is a pouch with clear area on the front; further, the pouch has a removable strap such that a user can remove the strap and use the pouch alone by threading it on a belt or the like.

1 Claim, 4 Drawing Sheets



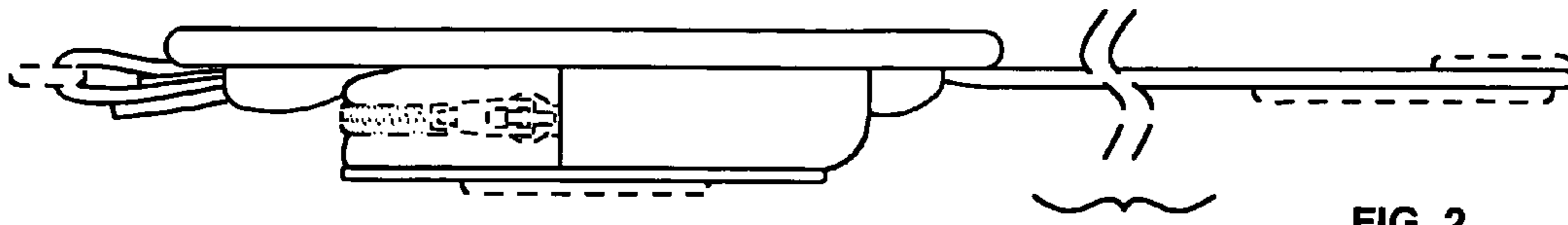


FIG. 2

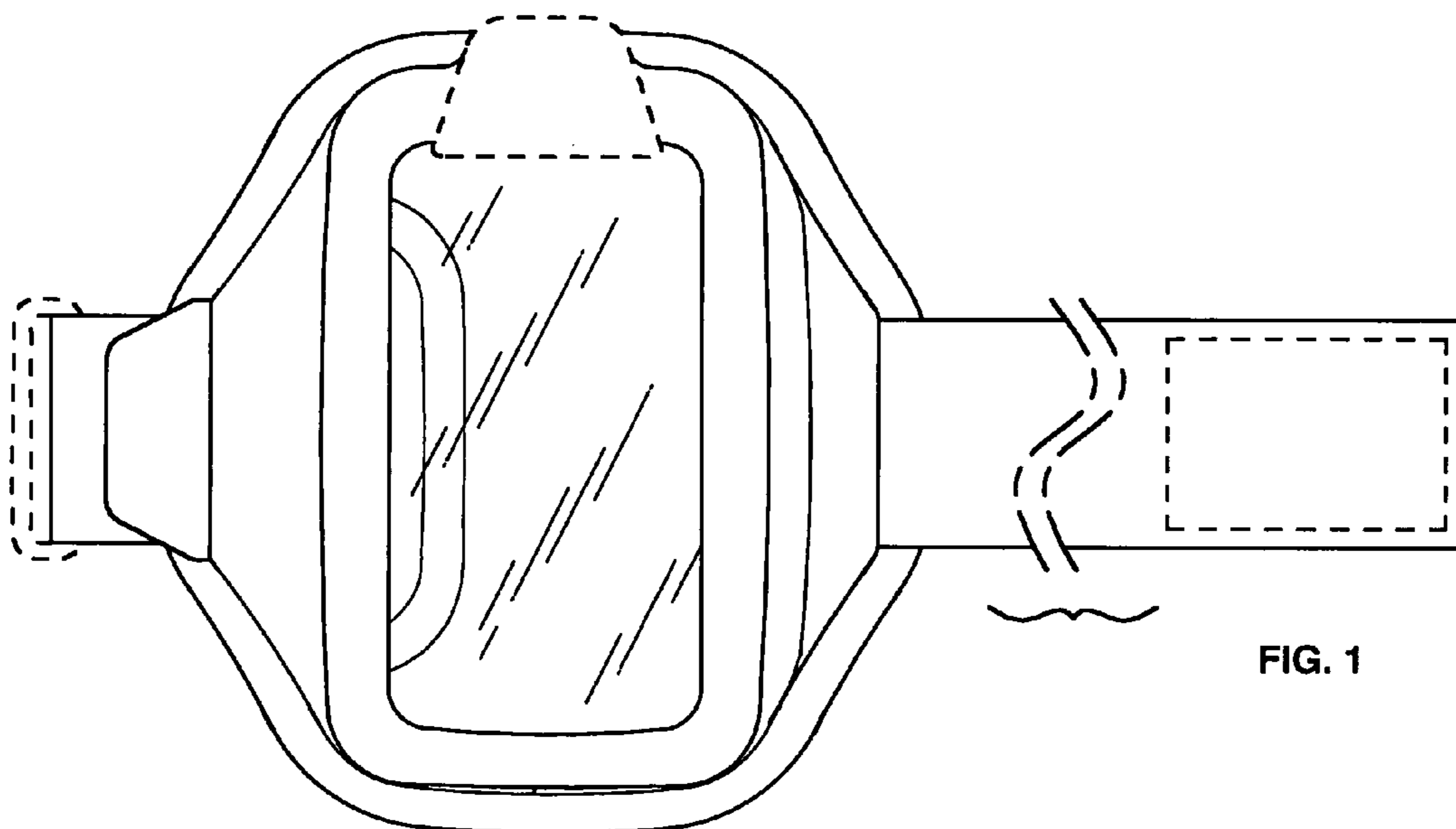


FIG. 1

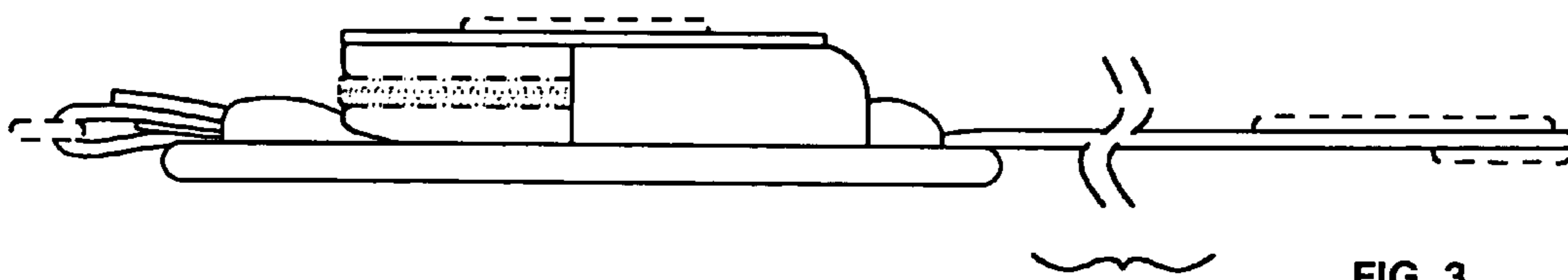


FIG. 3

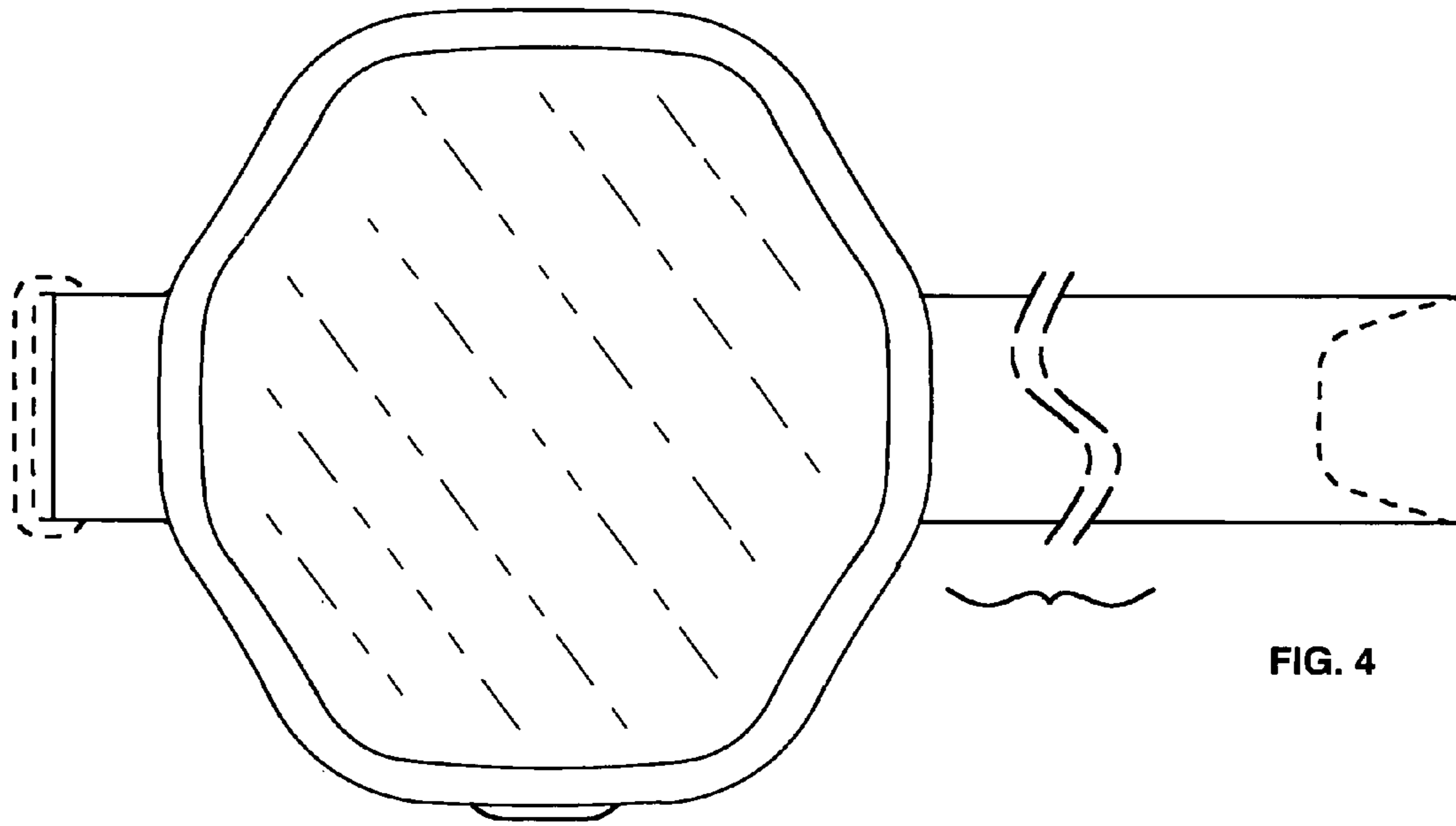


FIG. 4

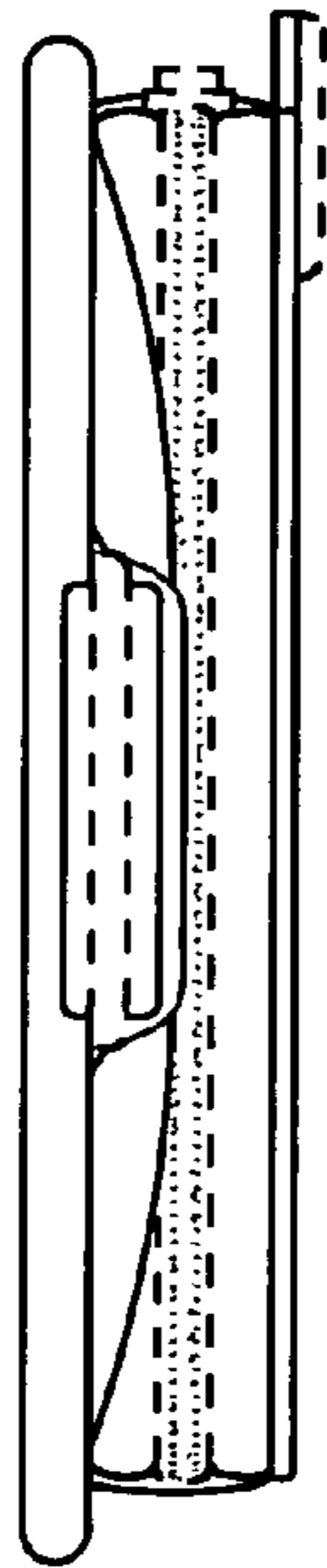


FIG. 5

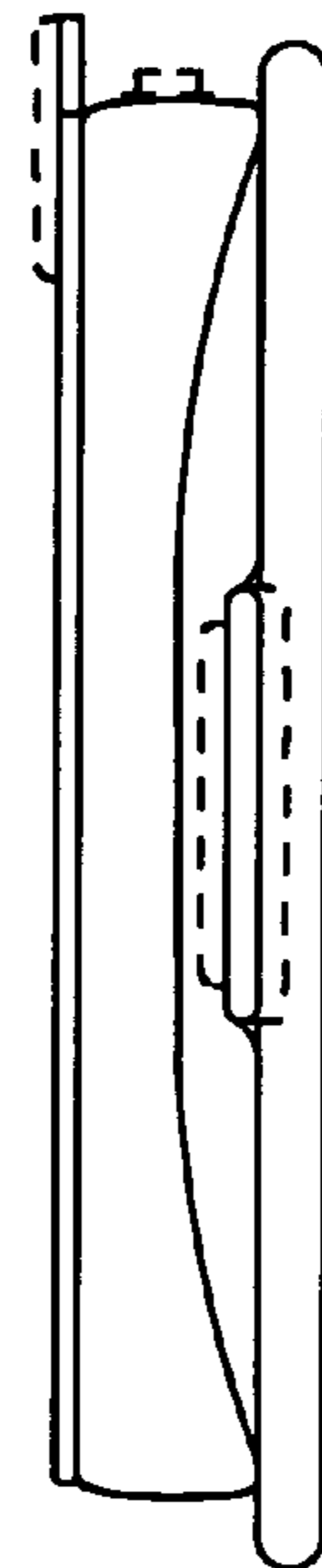


FIG. 6

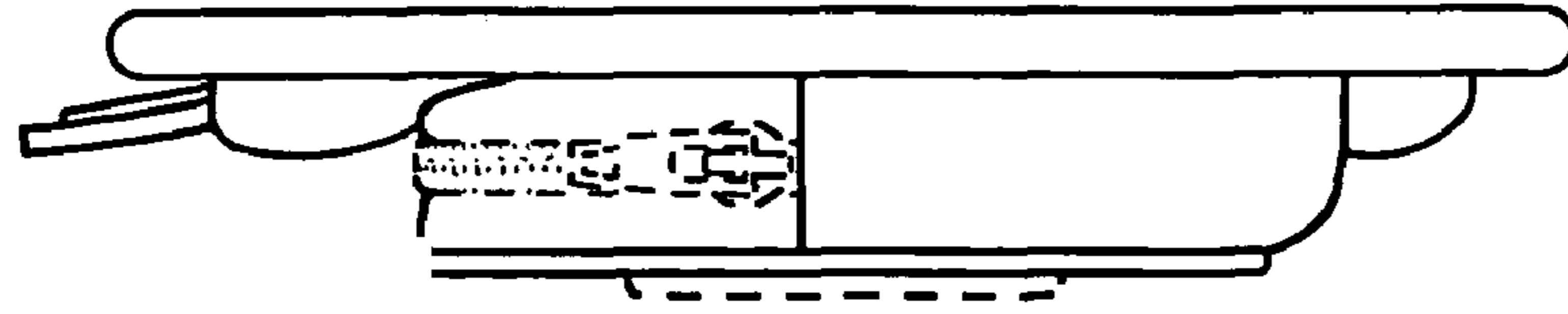


FIG. 8

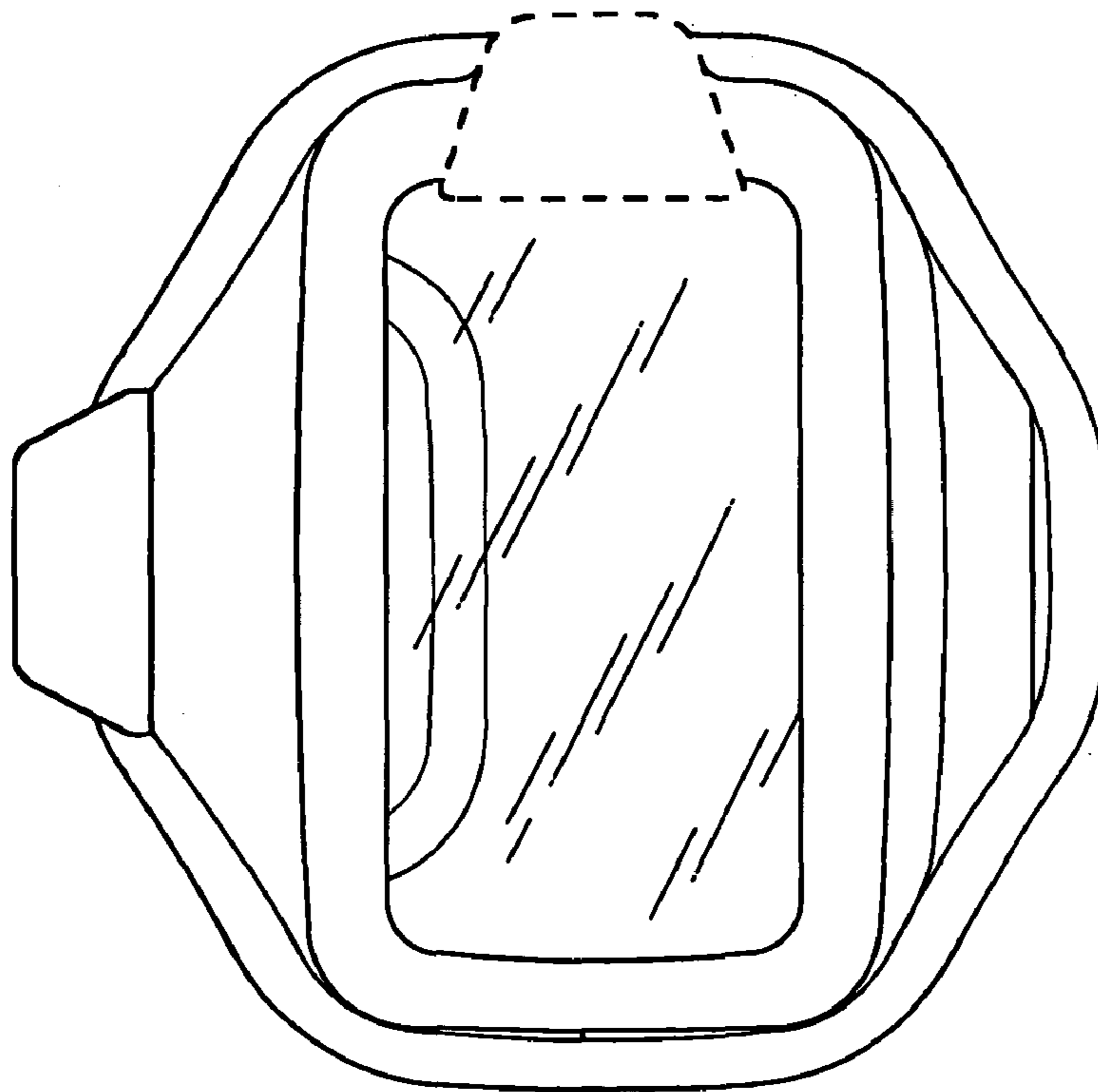


FIG. 7

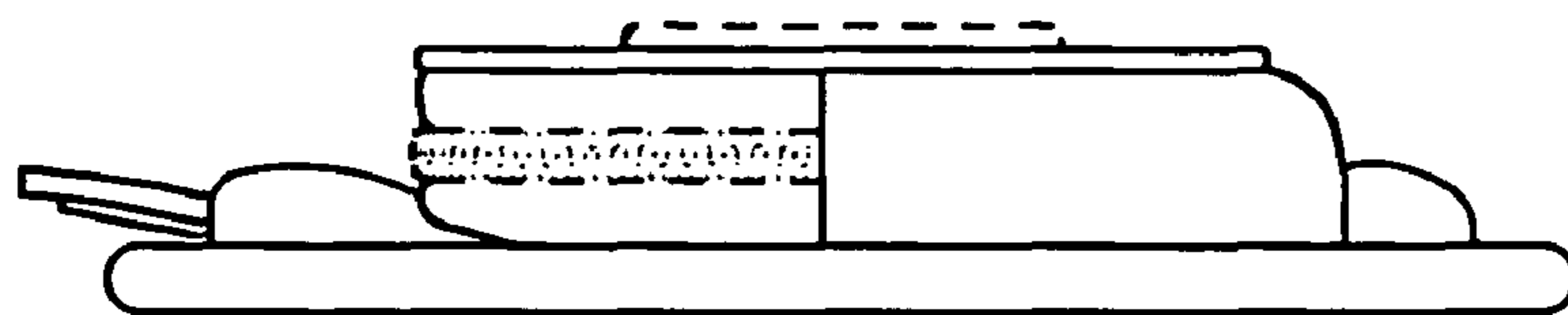


FIG. 9

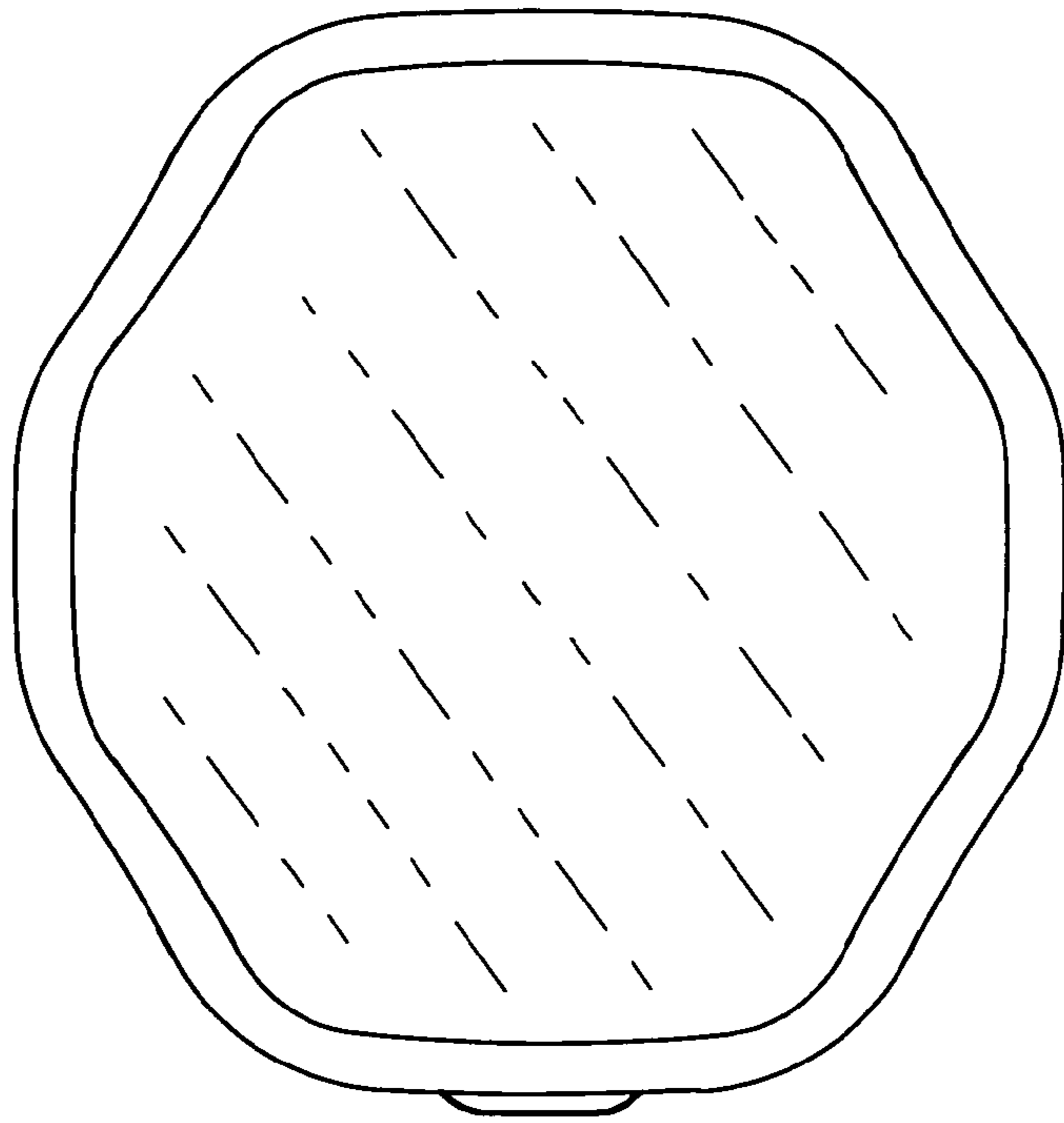


FIG. 10

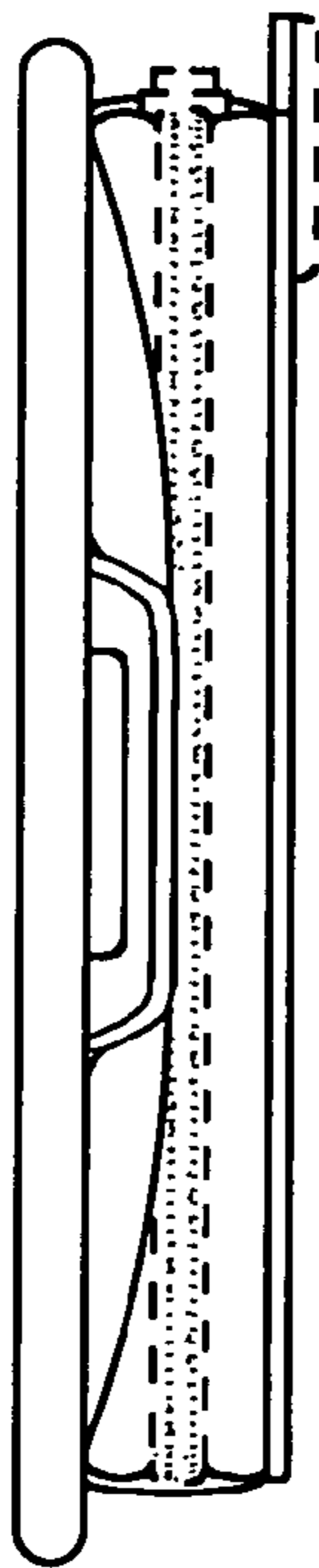


FIG. 11

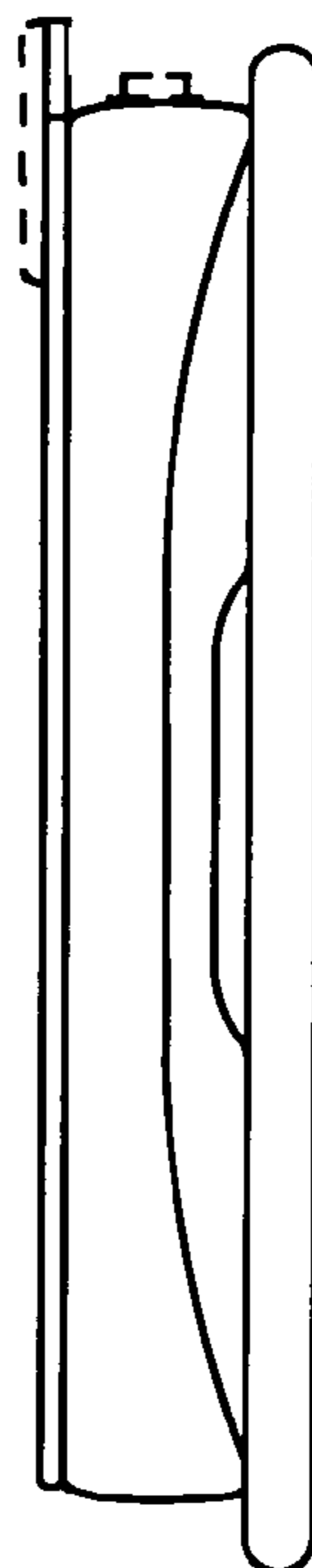


FIG. 12