



US00D651792S

(12) **United States Design Patent**
Holiwell

(10) **Patent No.:** **US D651,792 S**
(45) **Date of Patent:** **** Jan. 10, 2012**

(54) **DEEP CONCEALMENT HOLSTER**

(76) Inventor: **Darrion Keith Holiwell**, Seattle, WA
(US)

(**) Term: **14 Years**

(21) Appl. No.: **29/394,235**

(22) Filed: **Jun. 15, 2011**

(51) **LOC (9) Cl.** **03-01**

(52) **U.S. Cl.** **D3/222**

(58) **Field of Classification Search** D3/222-223;
224/191-193, 198, 238, 243, 587, 901.4,
224/911-912

See application file for complete search history.

(56) **References Cited**

U.S. PATENT DOCUMENTS

5,551,611	A *	9/1996	Gilmore	224/198
D392,458	S *	3/1998	Batts	D3/222
7,314,152	B1 *	1/2008	Garrett	224/192
D582,150	S *	12/2008	Har Shen	D3/222

* cited by examiner

Primary Examiner — Catheri Oliver

(74) *Attorney, Agent, or Firm* — Not Just Patents LLC;
Wendy Peterson

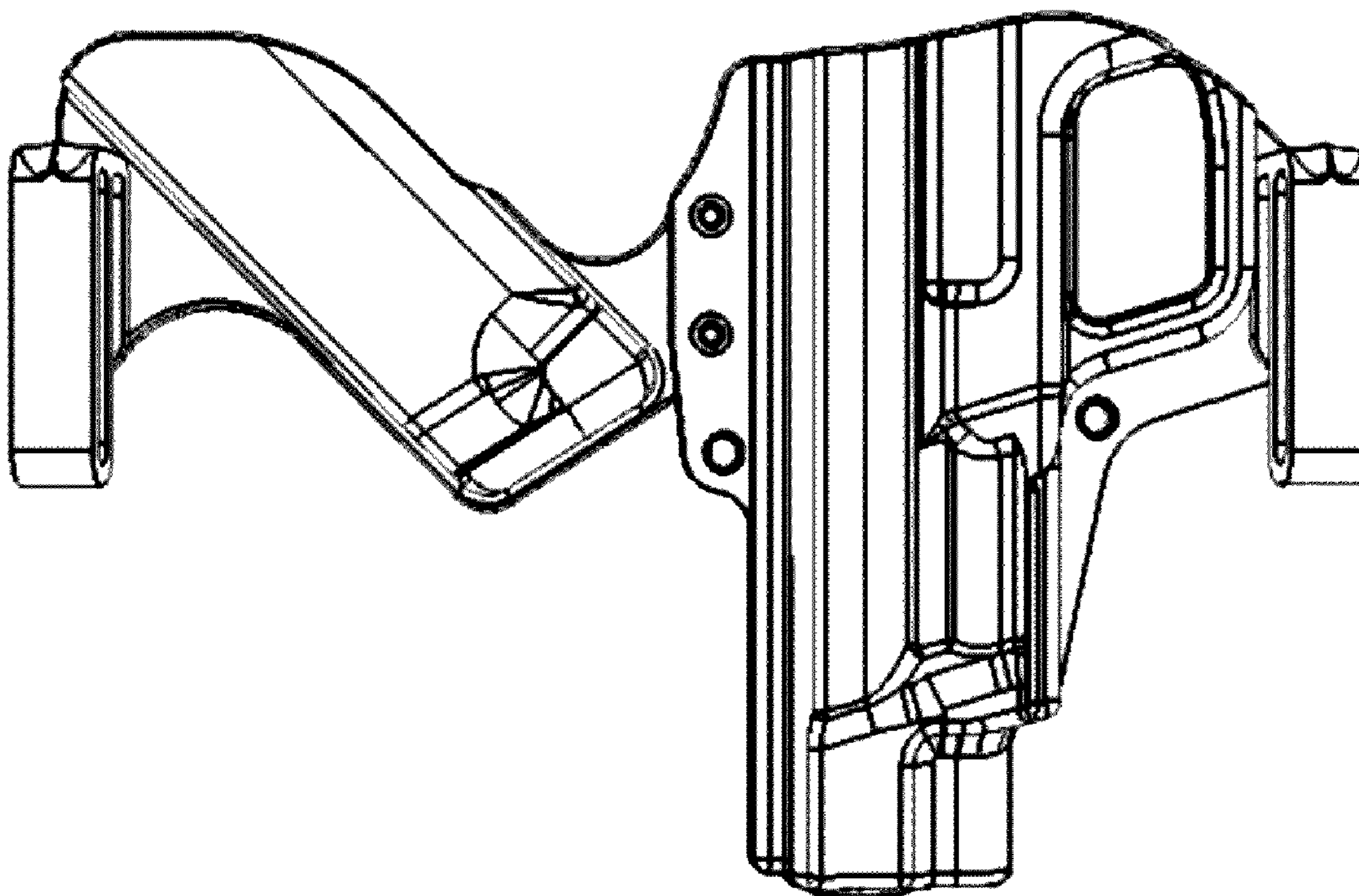
(57) **CLAIM**

The ornamental design for a deep concealment holster, as shown and described.

DESCRIPTION

FIG. 1 is a front elevational view of a deep concealment holster showing the new design;
FIG. 2 is a rear elevational view;
FIG. 3 is a bottom plan view;
FIG. 4 is a top plan view;
FIG. 5 is a right end elevational view; and,
FIG. 6 is a left end elevational view.

1 Claim, 3 Drawing Sheets



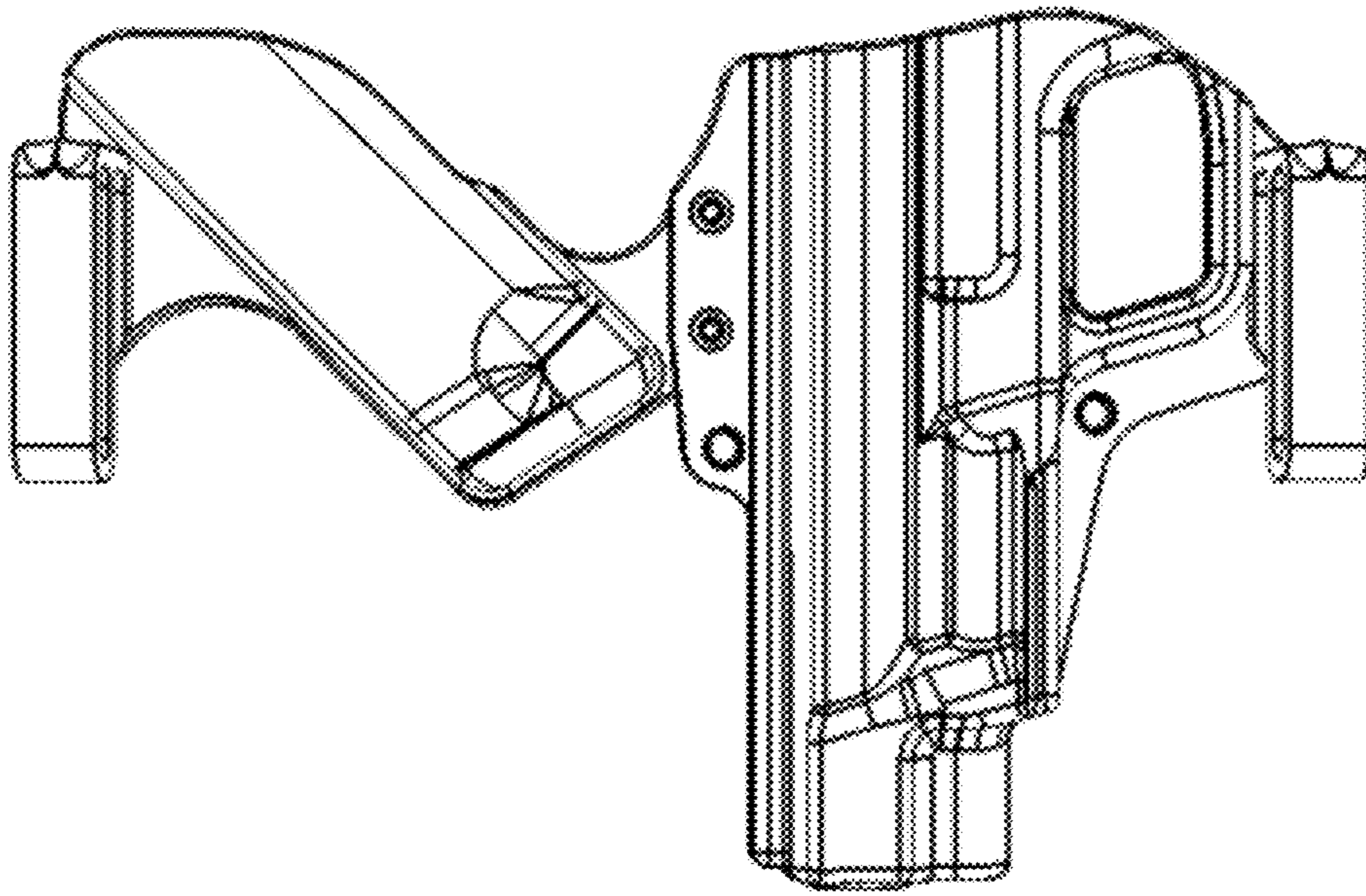


FIGURE 1

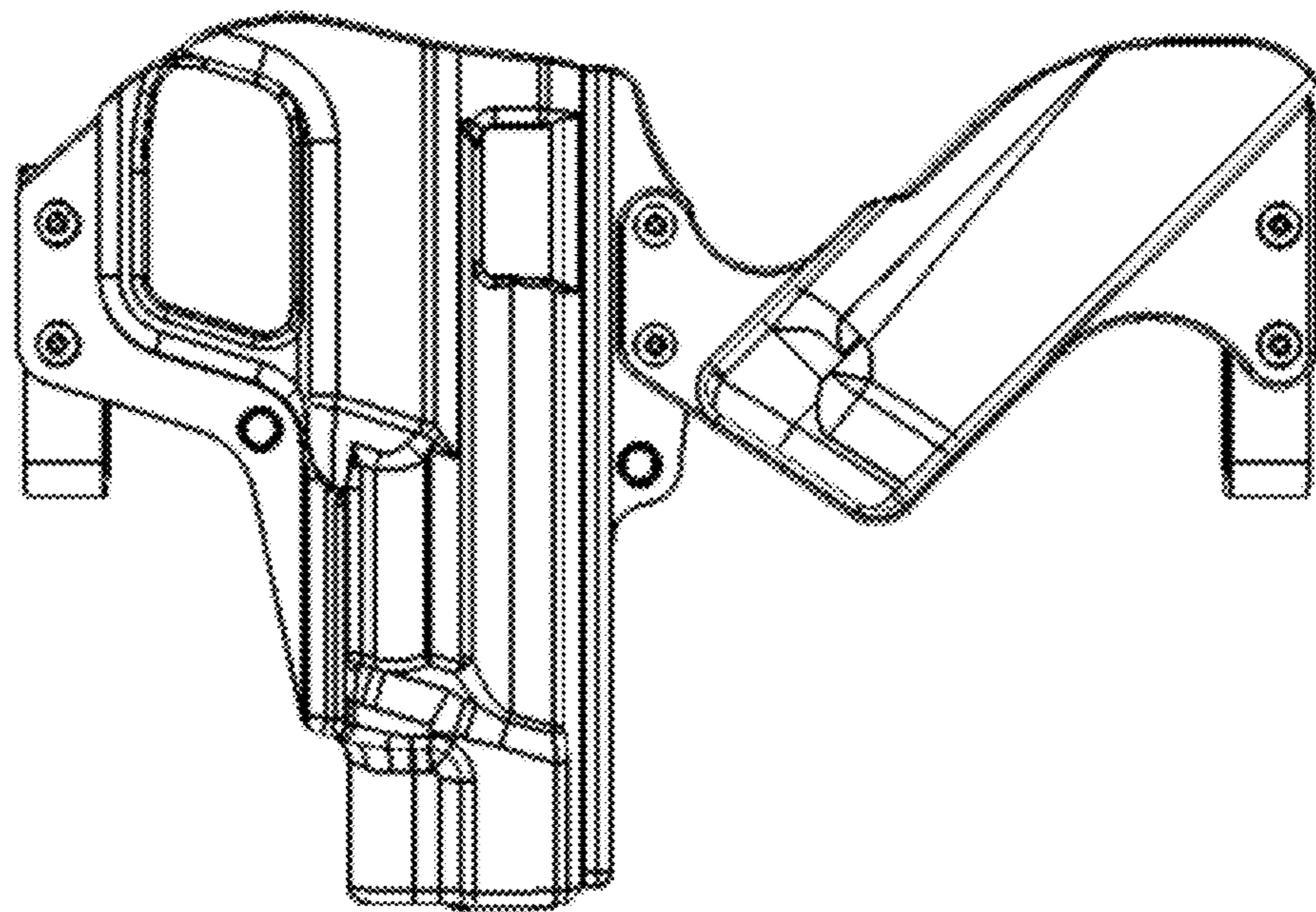


FIGURE 2

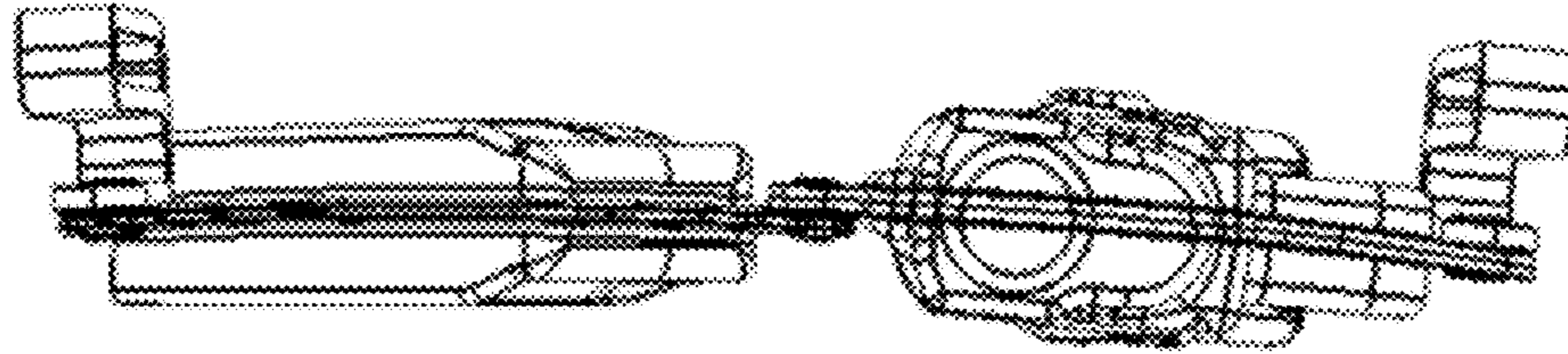


FIGURE 3

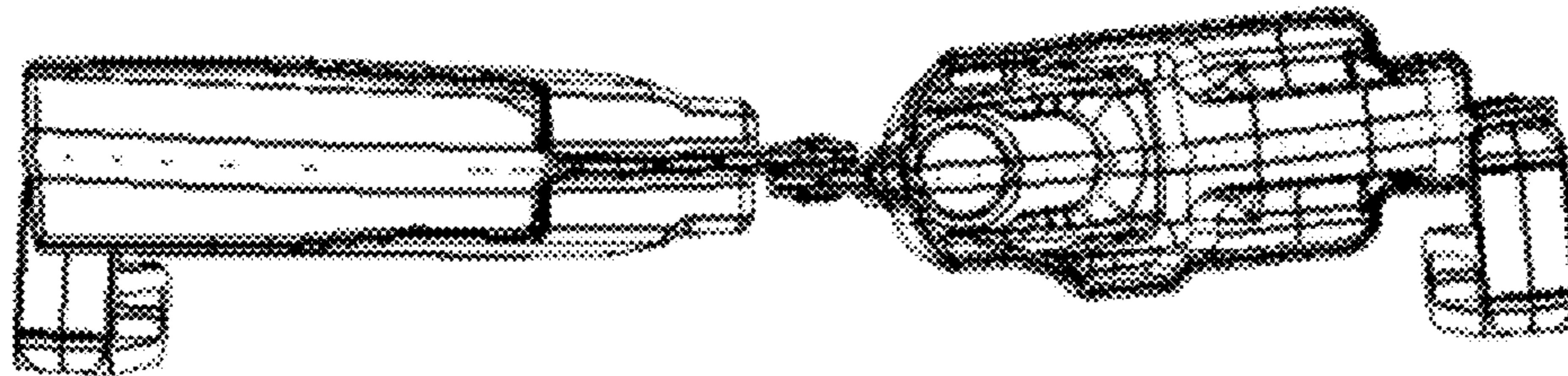


FIGURE 4

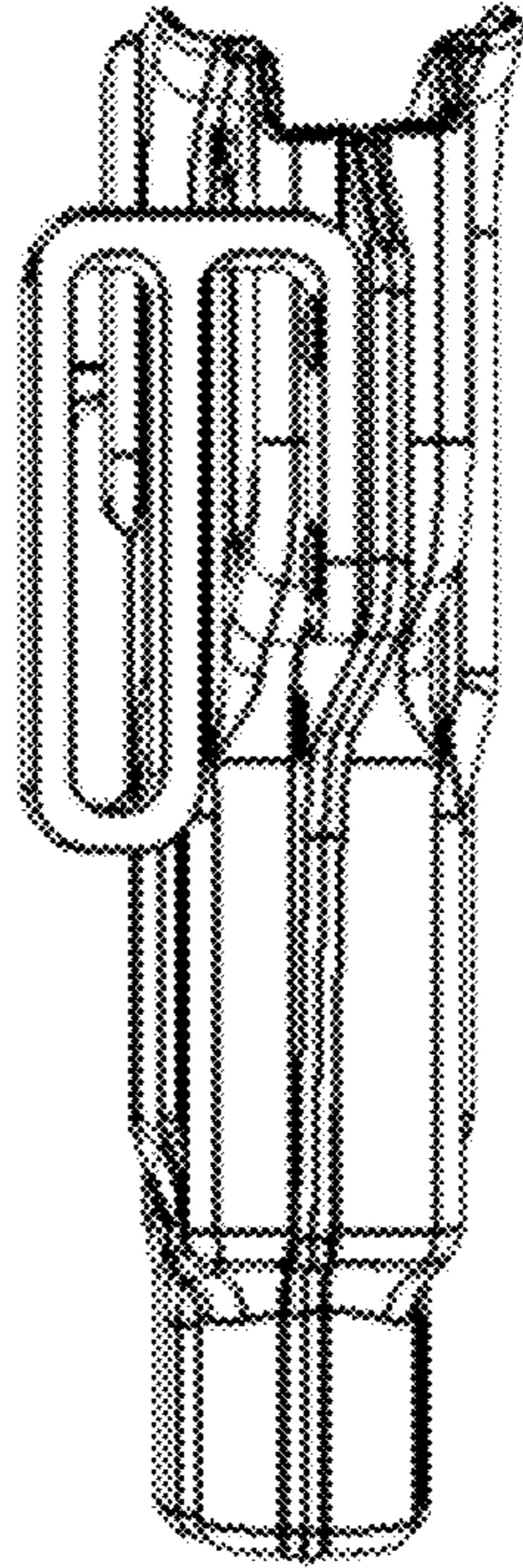


FIGURE 5

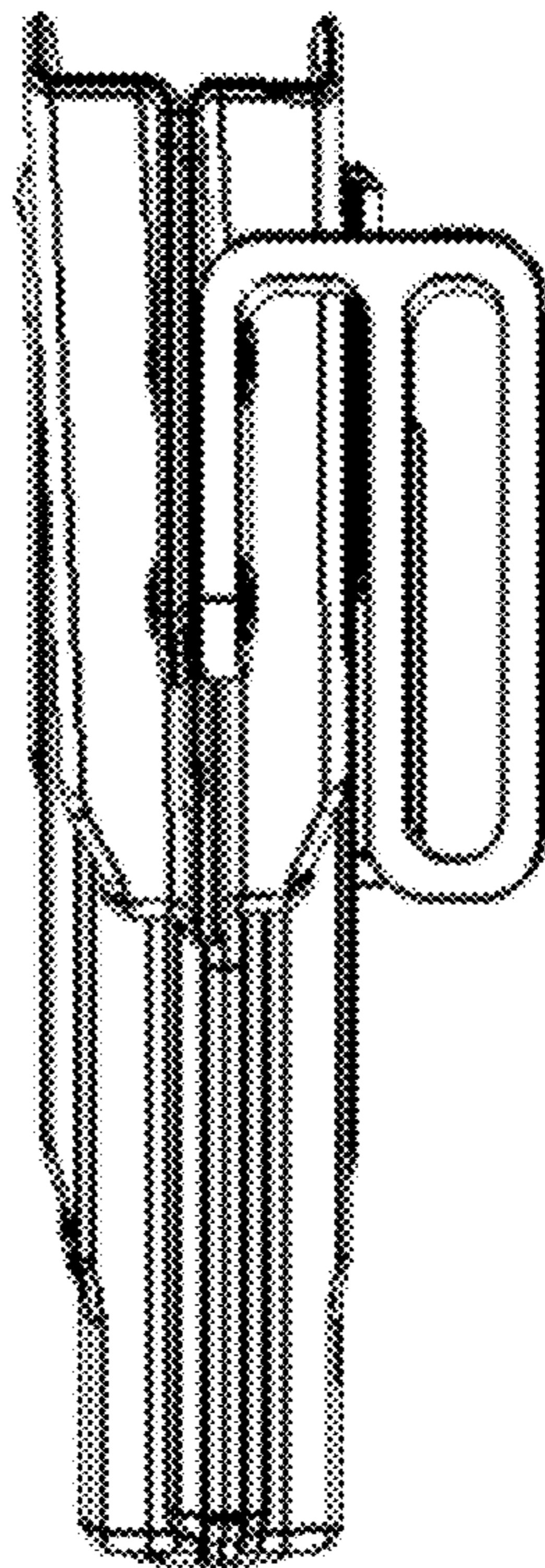


FIGURE 6