



US00D651788S

(12) **United States Design Patent**  
**Raysse**

(10) **Patent No.:** **US D651,788 S**  
(45) **Date of Patent:** **\*\* Jan. 10, 2012**

(54) **SHOE BOTTOM**  
(75) Inventor: **David Raysse**, Los Angeles, CA (US)  
(73) Assignee: **Skechers U.S.A., Inc. II**, Manhattan Beach, CA (US)  
(\*\*) Term: **14 Years**  
(21) Appl. No.: **29/397,081**  
(22) Filed: **Jul. 11, 2011**  
(51) **LOC (9) Cl.** ..... **02-04**  
(52) **U.S. Cl.** ..... **D2/954; D2/951**  
(58) **Field of Classification Search** ..... D2/902,  
D2/906, 908, 916, 918, 925, 946-962, 977;  
36/3 B, 22 R, 24.5, 25 R, 28, 32 R, 34 R,  
36/59 C, 67 A, 103  
See application file for complete search history.

D483,929 S \* 12/2003 Tzenos ..... D2/916  
D483,932 S \* 12/2003 Cooper  
D483,933 S \* 12/2003 Adams et al.  
D519,265 S \* 4/2006 Gerber  
D527,878 S \* 9/2006 Edwards ..... D2/955  
D530,066 S \* 10/2006 Earle ..... D2/954  
D542,516 S \* 5/2007 Petrie  
D548,934 S \* 8/2007 Choi  
D551,832 S \* 10/2007 Scott  
D573,334 S \* 7/2008 Petrie ..... D2/954  
D578,282 S \* 10/2008 Duffy ..... D2/955  
D580,142 S \* 11/2008 Duffy ..... D2/955  
D583,540 S \* 12/2008 Henderson  
D583,541 S \* 12/2008 Alfaro ..... D2/957  
D591,944 S \* 5/2009 Issler  
D594,193 S \* 6/2009 Duffy ..... D2/954  
D594,199 S \* 6/2009 Kasai ..... D2/961  
D595,937 S \* 7/2009 Morris ..... D2/907  
D596,383 S \* 7/2009 Morris ..... D2/907  
D599,088 S \* 9/2009 Kay et al.  
D599,091 S \* 9/2009 Della Valle et al. .... D2/954  
(Continued)

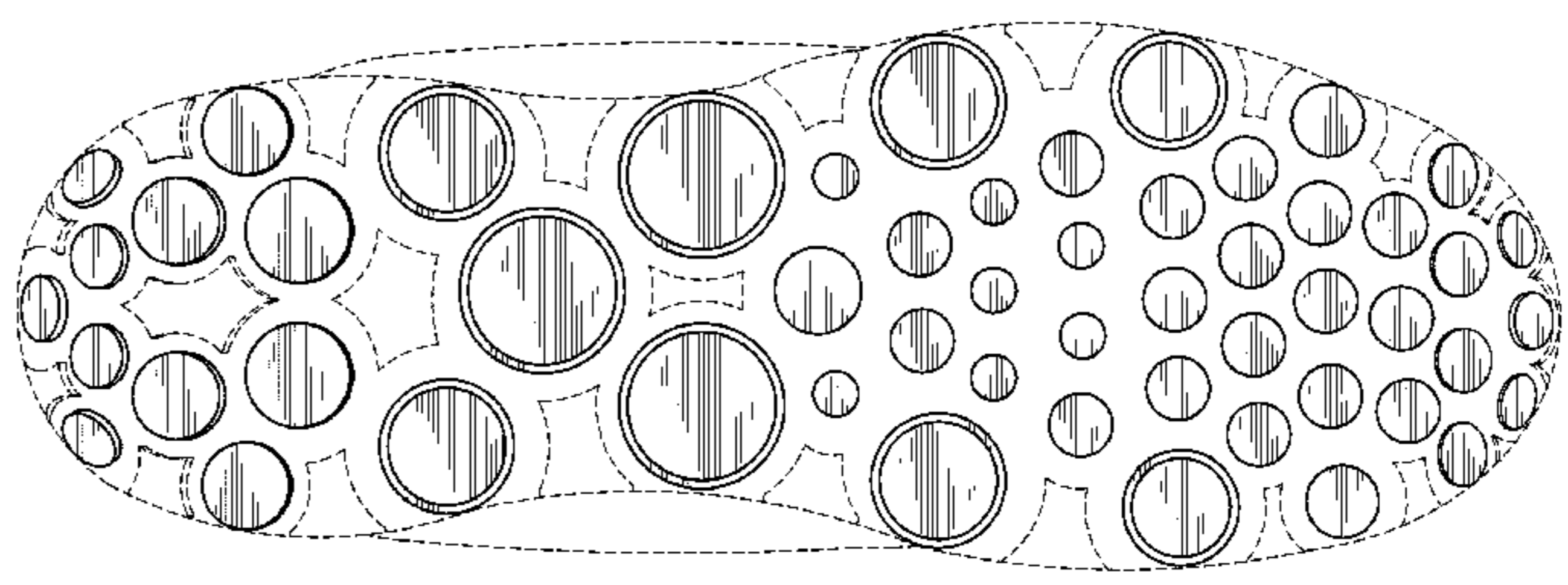
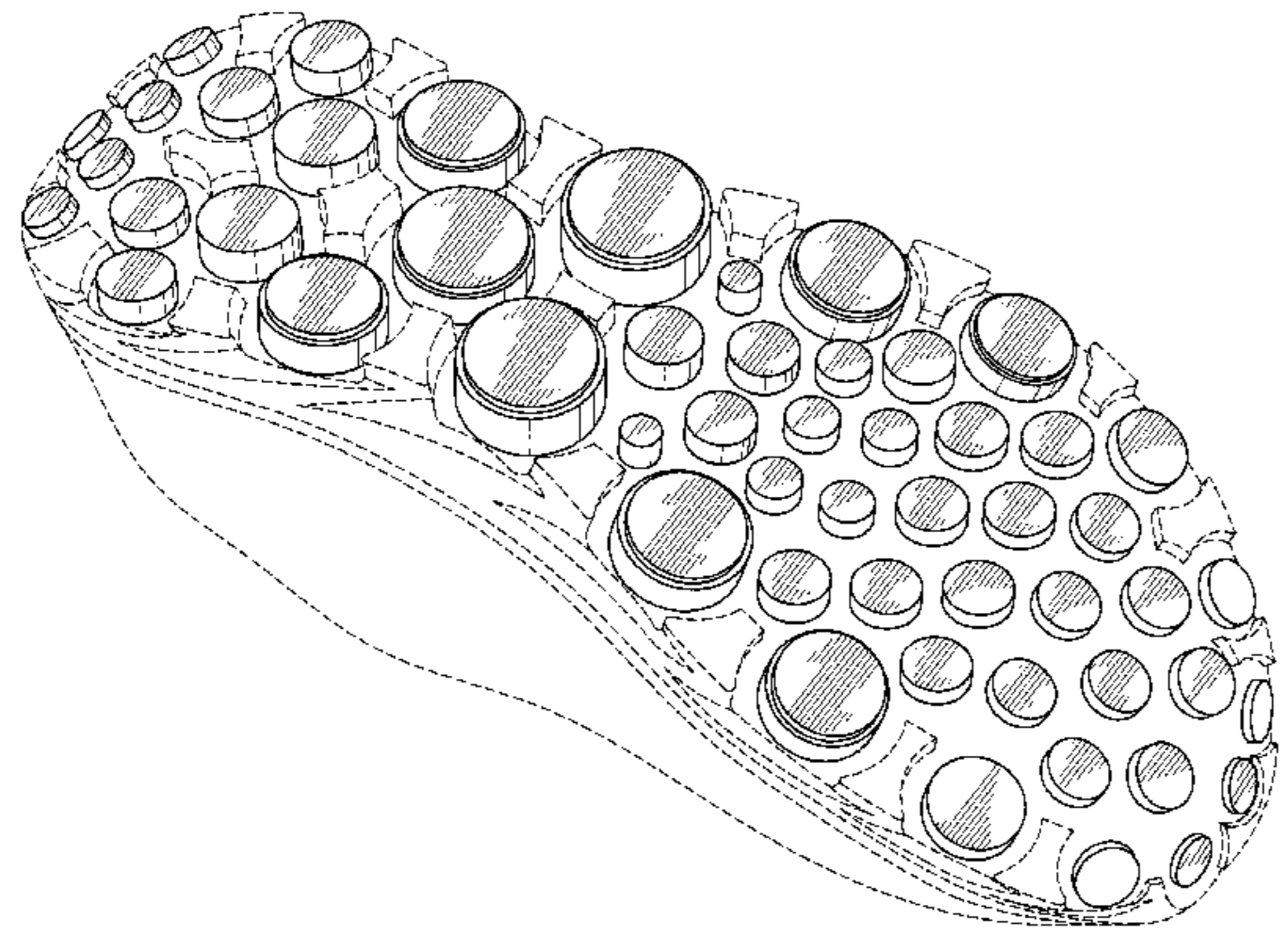
(56) **References Cited**  
U.S. PATENT DOCUMENTS  
3,568,340 A \* 3/1971 Gardner ..... 36/32 R  
4,562,651 A \* 1/1986 Frederick et al. .... 36/102  
D288,861 S \* 3/1987 Vaccaro ..... D2/918  
D298,883 S 12/1988 Tanel  
D310,131 S 8/1990 Hase  
D310,132 S 8/1990 Hase  
D334,278 S \* 3/1993 Greene ..... D2/977  
D343,045 S \* 1/1994 Bailey ..... D2/977  
D399,040 S 10/1998 Merceron  
D401,744 S 12/1998 Greenberg  
D417,945 S \* 12/1999 Merceron ..... D2/952  
D424,792 S \* 5/2000 Briand ..... D2/955  
D432,294 S \* 10/2000 Wilson ..... D2/960  
D432,761 S \* 10/2000 Patterson et al. .... D2/951  
D437,676 S 2/2001 Ferrer  
D447,616 S \* 9/2001 Bandini et al. .... D2/954  
D452,606 S 1/2002 Lozano  
D455,895 S \* 4/2002 Yang ..... D2/955  
D458,739 S 6/2002 Merceron  
D466,682 S \* 12/2002 Ortuno Santa ..... D2/954  
D479,034 S \* 9/2003 Tzenos ..... D2/926  
D483,175 S \* 12/2003 Robinson et al. .... D2/954

*Primary Examiner* — T. Chase Nelson  
(74) *Attorney, Agent, or Firm* — Marshall A. Lerner; Marvin H. Kleinberg; Kleinberg & Lerner, LLP

(57) **CLAIM**  
The ornamental design for a shoe bottom, as shown and described.

**DESCRIPTION**  
FIG. 1 is a perspective view of a shoe bottom in accordance with my new design.  
FIG. 2 is a bottom plan view thereof;  
FIG. 3 is a left side view thereof;  
FIG. 4 is a right side view thereof;  
FIG. 5 is a rear elevation view thereof;  
FIG. 6 is a front elevation view thereof; and,  
FIG. 7 is a top plan view thereof.  
Broken lines showing the remainder of the shoe in the figures are for illustrative purposes only and form no part of the claimed invention.

**1 Claim, 6 Drawing Sheets**



# US D651,788 S

Page 2

## U.S. PATENT DOCUMENTS

D599,993 S	9/2009	Issler	
D602,234 S *	10/2009	Feller .....	D2/917
D608,997 S	2/2010	Loverin et al.	
D608,998 S	2/2010	Loverin et al.	
D609,440 S *	2/2010	Morris .....	D2/951
D611,236 S *	3/2010	Dombrow .....	D2/954
D615,737 S *	5/2010	Feller .....	D2/925
D616,637 S *	6/2010	Taestensen .....	D2/955
D618,895 S	7/2010	Wolff	
D619,344 S	7/2010	Favreau et al.	
7,748,141 B2 *	7/2010	Smith et al. ....	36/28
D623,386 S *	9/2010	Nelson .....	D2/946
D626,321 S *	11/2010	Cagner .....	D2/961
D631,646 S	2/2011	Muller	
D637,799 S *	5/2011	Della Valle et al. ....	D2/908
7,946,062 B2 *	5/2011	Kelly .....	36/127
2004/0237343 A1 *	12/2004	Herman .....	36/28
2005/0241180 A1 *	11/2005	Squadroni .....	36/3 B
2007/0266592 A1 *	11/2007	Smith et al. ....	36/28
2008/0010860 A1 *	1/2008	Gyr .....	36/89
2009/0113760 A1 *	5/2009	Dominguez .....	36/102
2011/0016749 A1 *	1/2011	Callahan et al. ....	36/103
2011/0035963 A1 *	2/2011	Baker et al. ....	36/114

\* cited by examiner

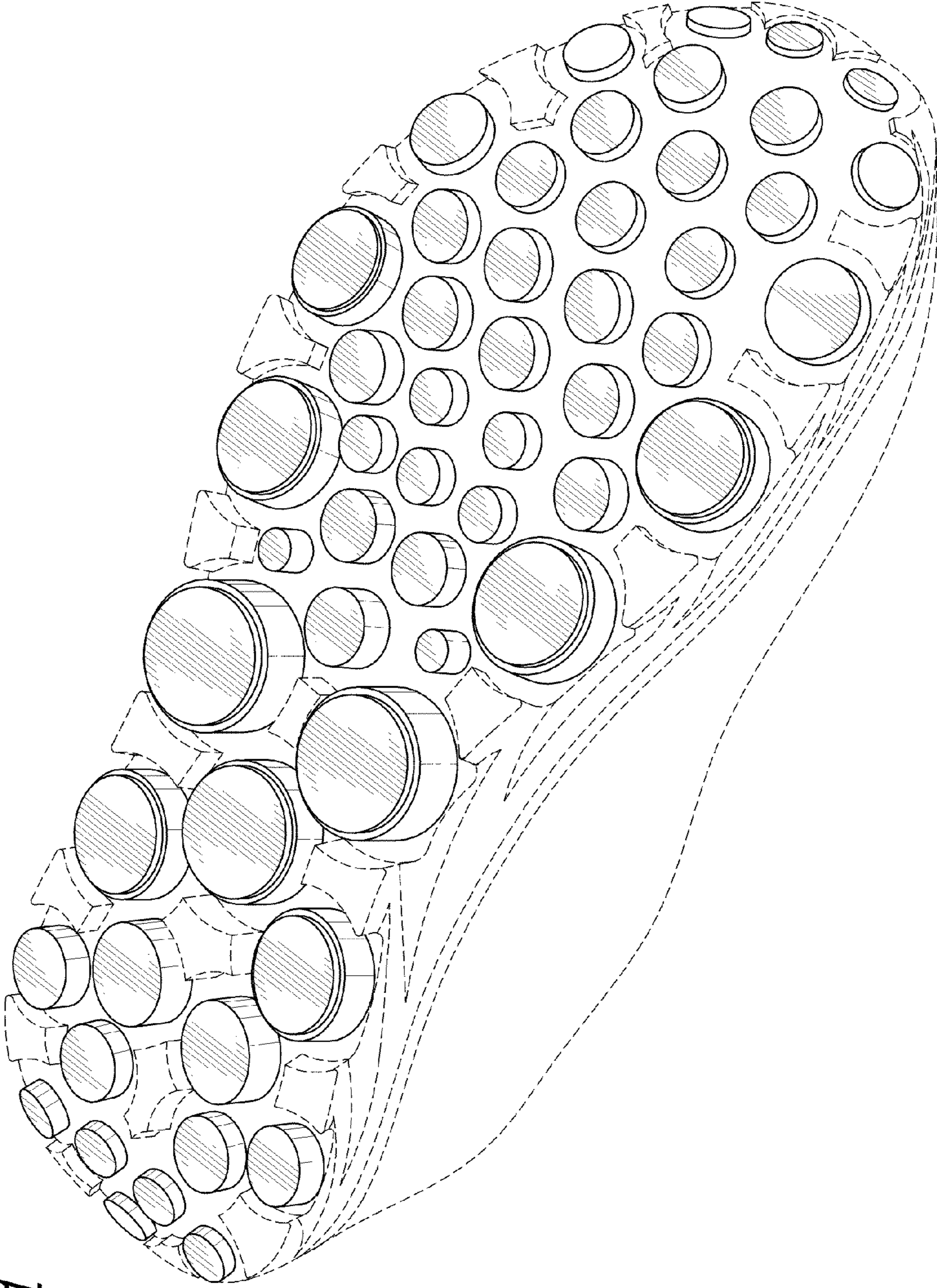


FIG. 1

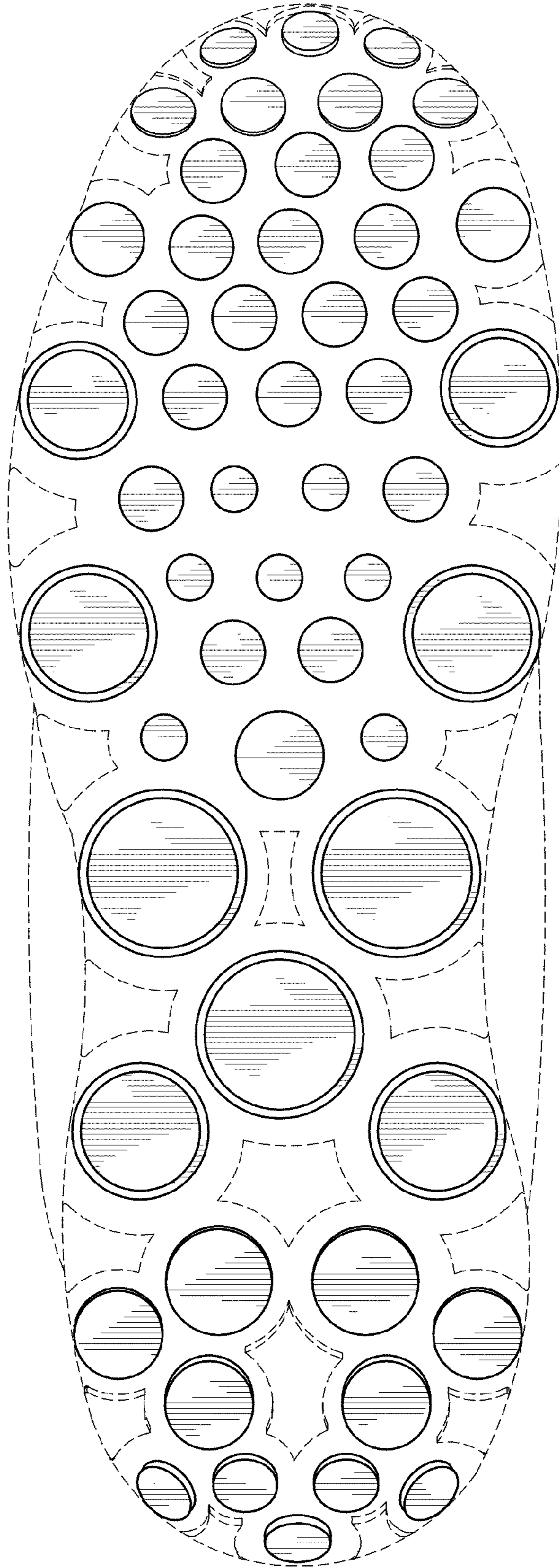
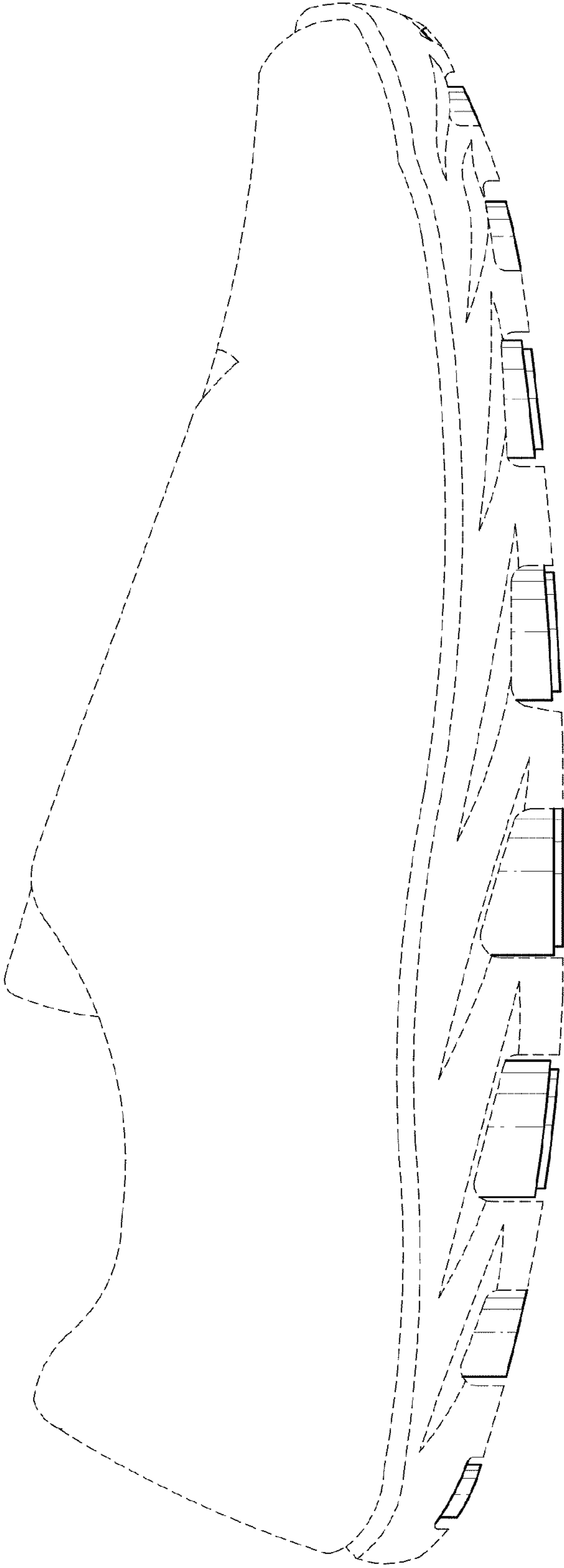


FIG. 2

FIG. 3



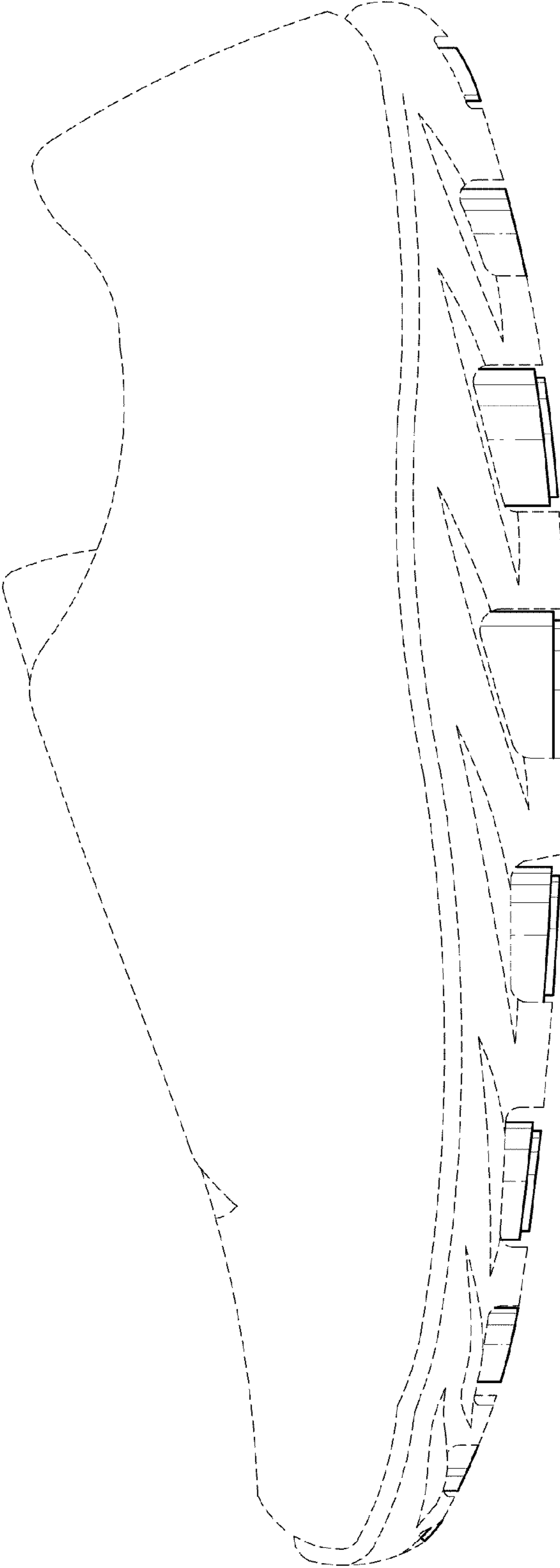


FIG. 4

FIG. 6

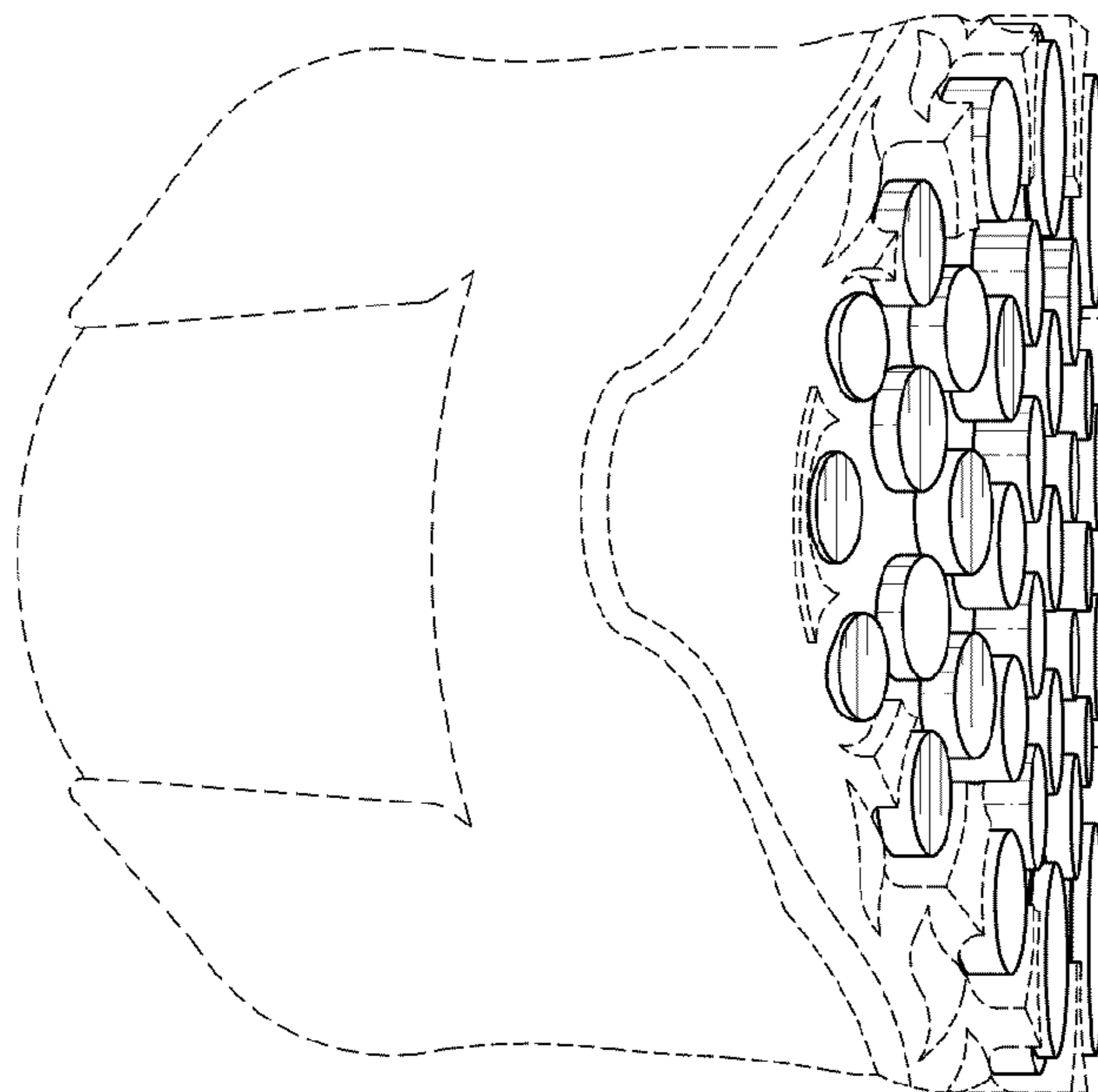
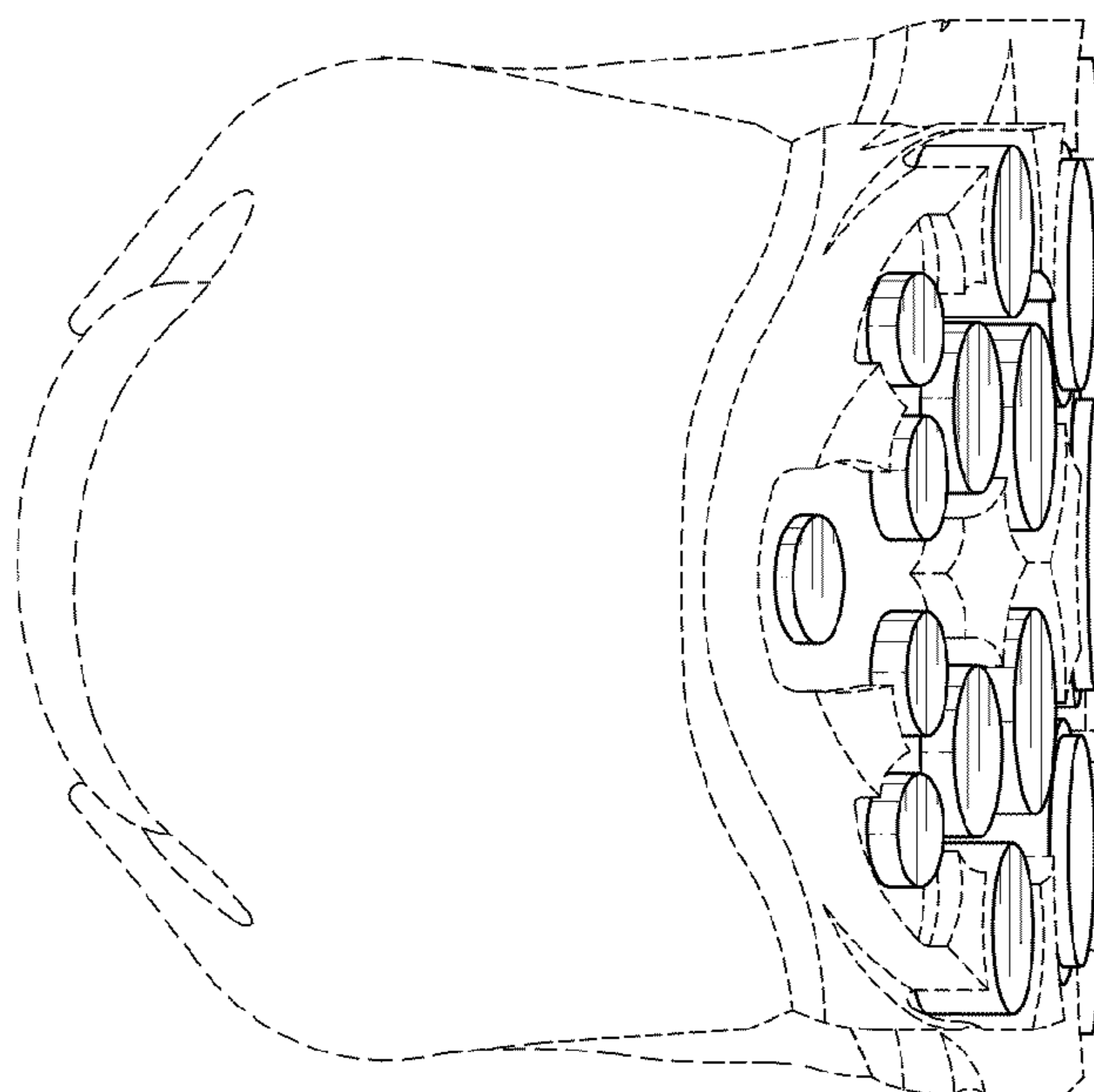


FIG. 5



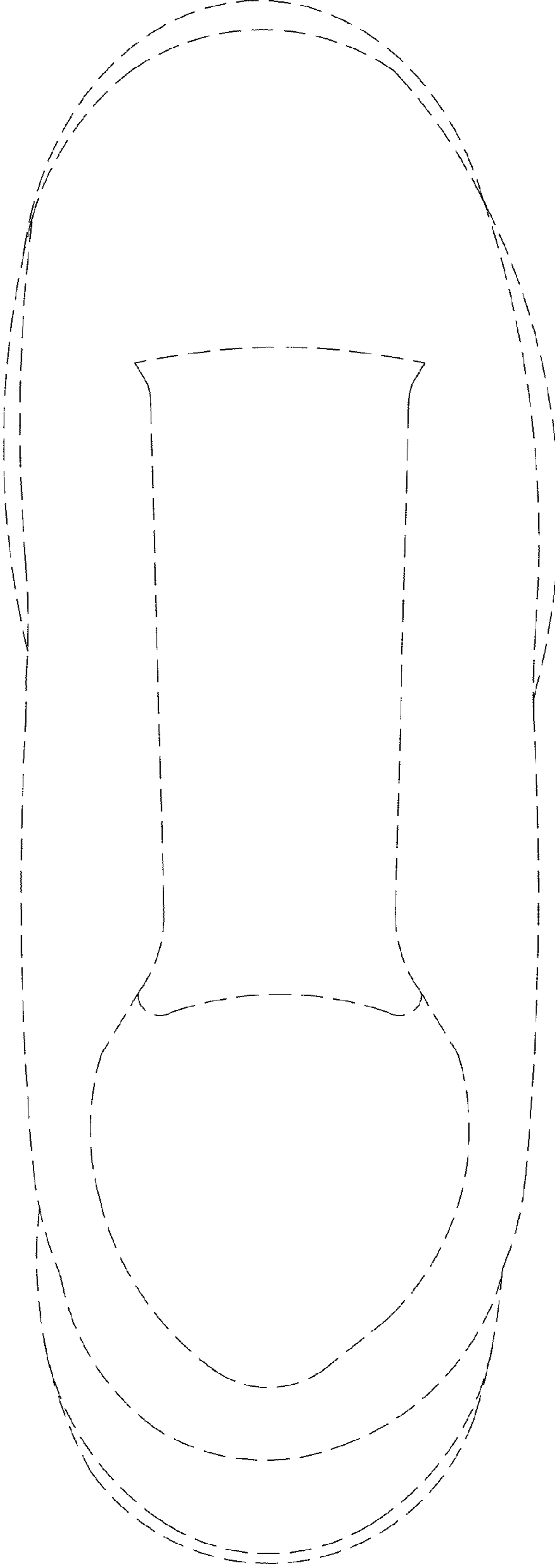


FIG. 7