



US00D651785S

(12) **United States Design Patent**
Martin et al.

(10) **Patent No.:** **US D651,785 S**
(45) **Date of Patent:** **** Jan. 3, 2012**

(54) **FIREARM SAFE**

(76) Inventors: **Tyson J. Martin**, Springfield, MO (US);
Jose F. Orellana, Springfield, MO (US);
Jason Floyd, Springfield, MO (US)

(**) Term: **14 Years**

(21) Appl. No.: **29/376,214**

(22) Filed: **Oct. 4, 2010**

(51) **LOC (9) Cl.** **06-04**

(52) **U.S. Cl.** **D99/28**

(58) **Field of Classification Search** D99/28,
D99/34, 35, 36, 43, 99; 109/1 V, 2, 45, 1 R;
902/9, 30; 235/100; 206/317, 527; 312/400,
312/409

See application file for complete search history.

(56) **References Cited**

U.S. PATENT DOCUMENTS

392,682	A *	11/1888	Catanpano	220/8
2,544,118	A *	3/1951	Went	206/0.83
2,755,748	A *	7/1956	Abell, Jr.	109/52
3,156,351	A	11/1964	Small		
3,731,818	A	5/1973	Young		
3,988,909	A *	11/1976	Catapano	70/63
4,155,608	A	5/1979	Orlewicz		
4,348,967	A *	9/1982	Schattner et al.	109/51
4,869,449	A	9/1989	Goodman		
4,926,762	A	5/1990	Paul		
5,056,342	A	10/1991	Prinz		
D385,673	S *	10/1997	Siler et al.	D99/28
D386,307	S *	11/1997	Naas et al.	D3/294
D393,526	S *	4/1998	Robey et al.	D99/28
D395,746	S	7/1998	Barackman		
D426,059	S	6/2000	Siler et al.		
6,292,960	B1	9/2001	Bowling		
D449,161	S *	10/2001	Gillespie et al.	D3/276
6,405,861	B1	6/2002	Siler et al.		
D461,617	S *	8/2002	Gardner	D99/28
6,684,432	B2	2/2004	Owens, Jr.		
D528,164	S *	9/2006	Orcutt	D19/92

D541,045	S *	4/2007	Peart et al.	D3/291
D542,529	S *	5/2007	Peart et al.	D3/276
D558,977	S *	1/2008	Peart et al.	D3/294
D561,994	S *	2/2008	Peart et al.	D3/291
D569,072	S *	5/2008	Osiecki et al.	D99/28
D569,073	S *	5/2008	Osiecki et al.	D99/28
D570,074	S *	5/2008	Osiecki et al.	D99/28
D571,524	S *	6/2008	Kang et al.	D99/28
D572,425	S *	7/2008	Themistos	D99/28
D586,975	S *	2/2009	Knox	D99/28

(Continued)

FOREIGN PATENT DOCUMENTS

CN 2661872 12/2004

(Continued)

Primary Examiner — Elizabeth J Oswecki

(74) *Attorney, Agent, or Firm* — Brian B. Diekhoff;
Polsinelli Shughart PC

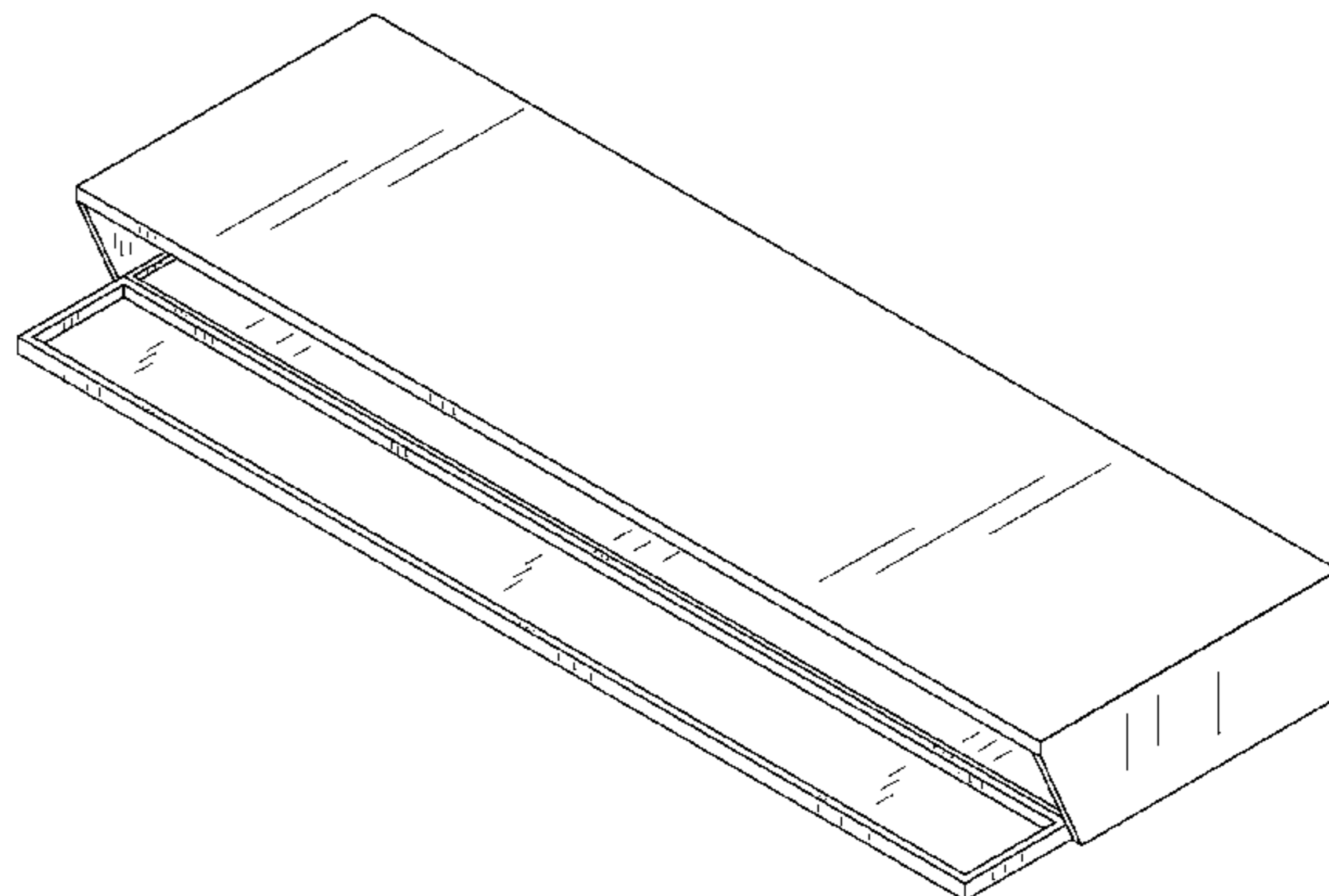
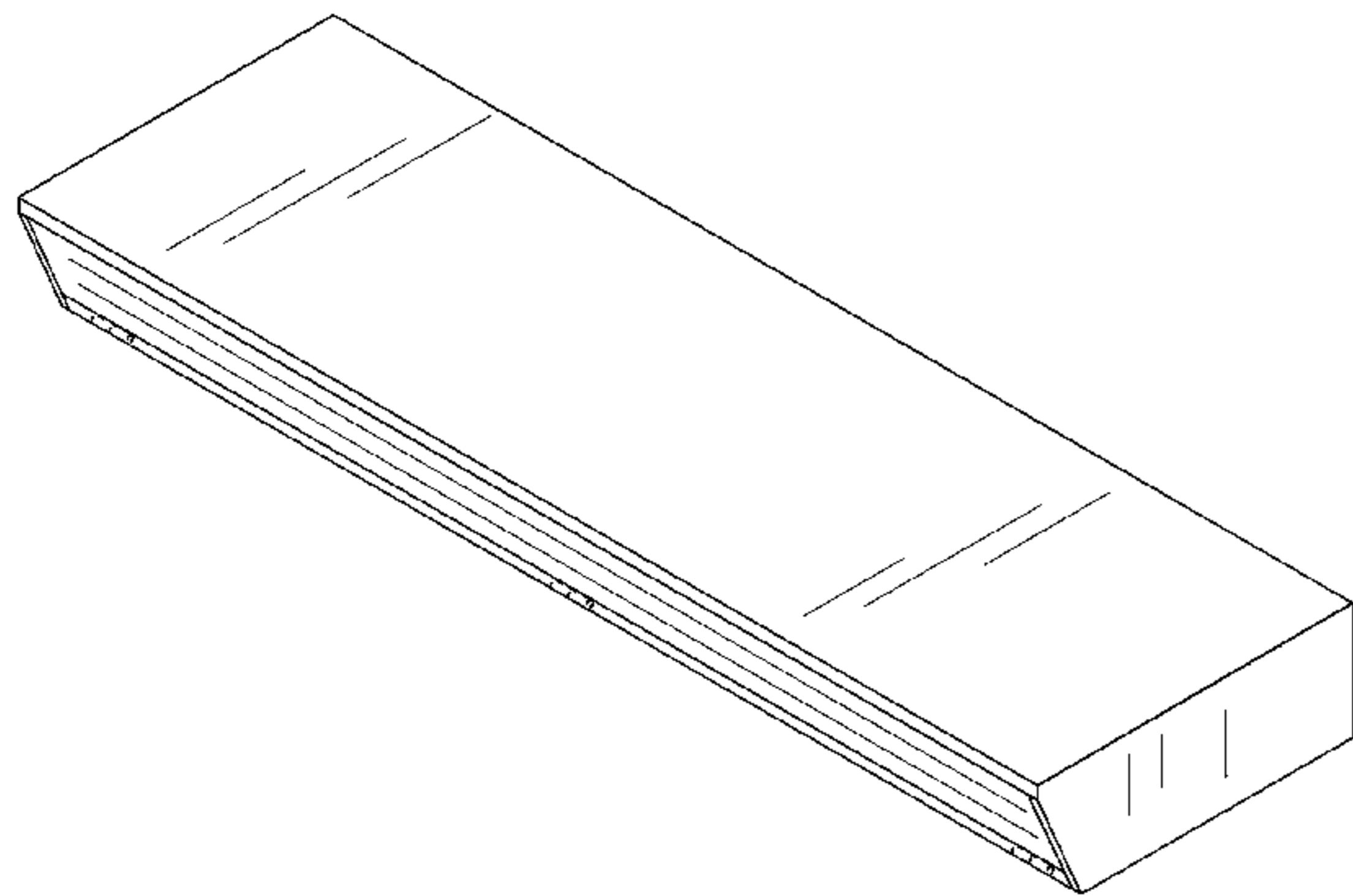
(57) **CLAIM**

The ornamental design for a firearm safe, as shown and described.

DESCRIPTION

FIG. 1 is a perspective view of the firearm safe showing our new design;
FIG. 2 is a front view of the firearm safe;
FIG. 3 is a rear view of the firearm safe;
FIG. 4 is a first side view of the firearm safe;
FIG. 5 is a second side view of the firearm safe;
FIG. 6 is a top view of the firearm safe;
FIG. 7 is a bottom view of the firearm safe;
FIG. 8 is a perspective view of the firearm safe with a door in an open position; and,
FIG. 9 is a front view of the firearm safe with the door in the open position.
In the drawings, the broken lines in FIGS. 1, 2 and 9 depict portions of the design that form no part of the claim.

1 Claim, 3 Drawing Sheets



US D651,785 S

Page 2

U.S. PATENT DOCUMENTS

D617,974 S * 6/2010 Alfeld, Sr. D99/28
D624,275 S * 9/2010 Min D99/28
2001/0034202 A1* 10/2001 Nottingham et al. 453/3
2002/0158095 A1 10/2002 VorKeller et al.
2006/0108252 A1* 5/2006 Lax 206/470

2008/0196637 A1* 8/2008 Howell et al. 109/38

FOREIGN PATENT DOCUMENTS

JP 2003145453 A2 5/2003

* cited by examiner

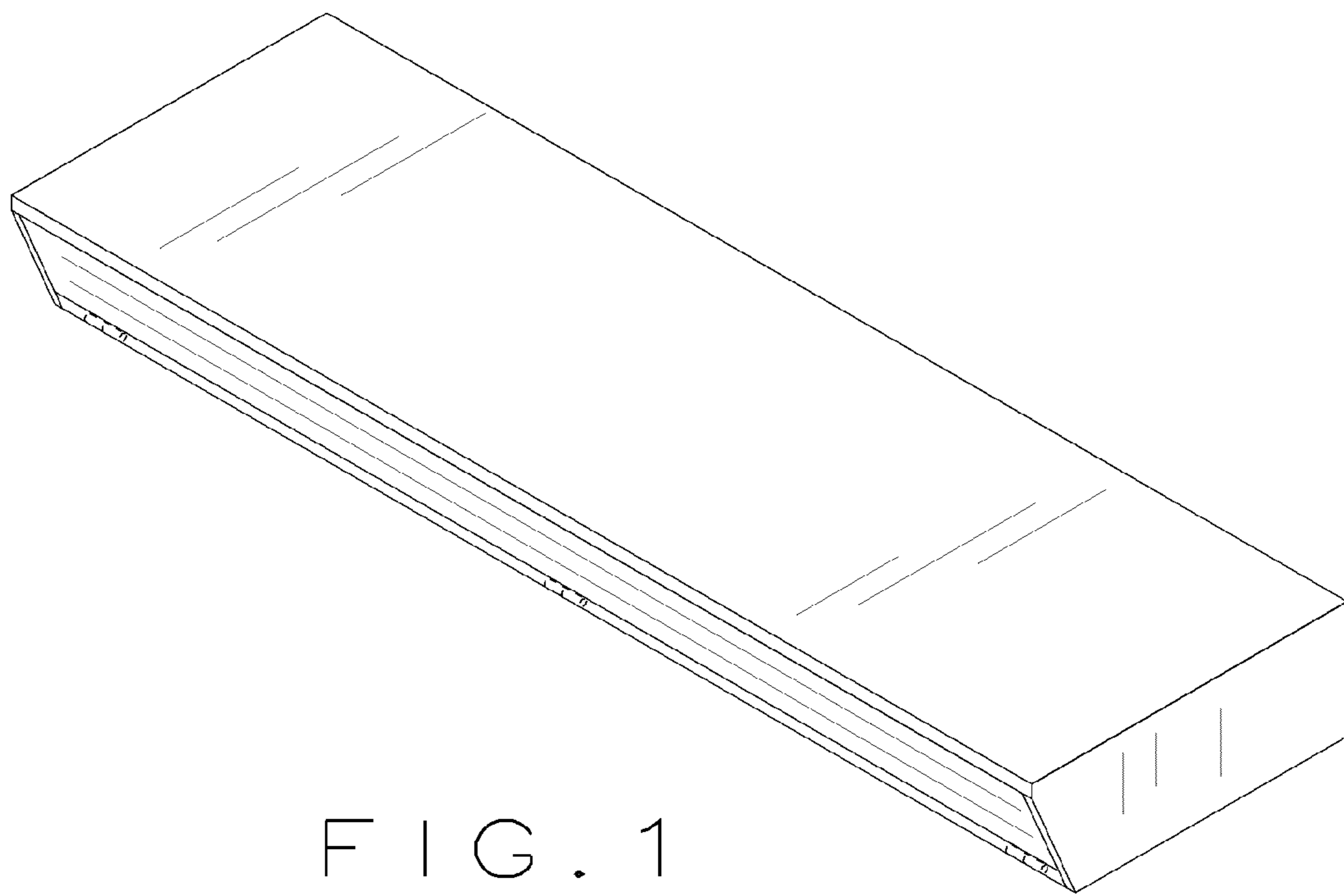


FIG. 1

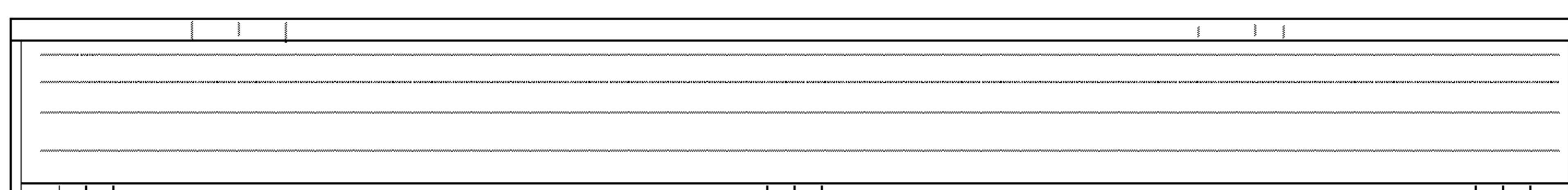


FIG. 2



FIG. 3

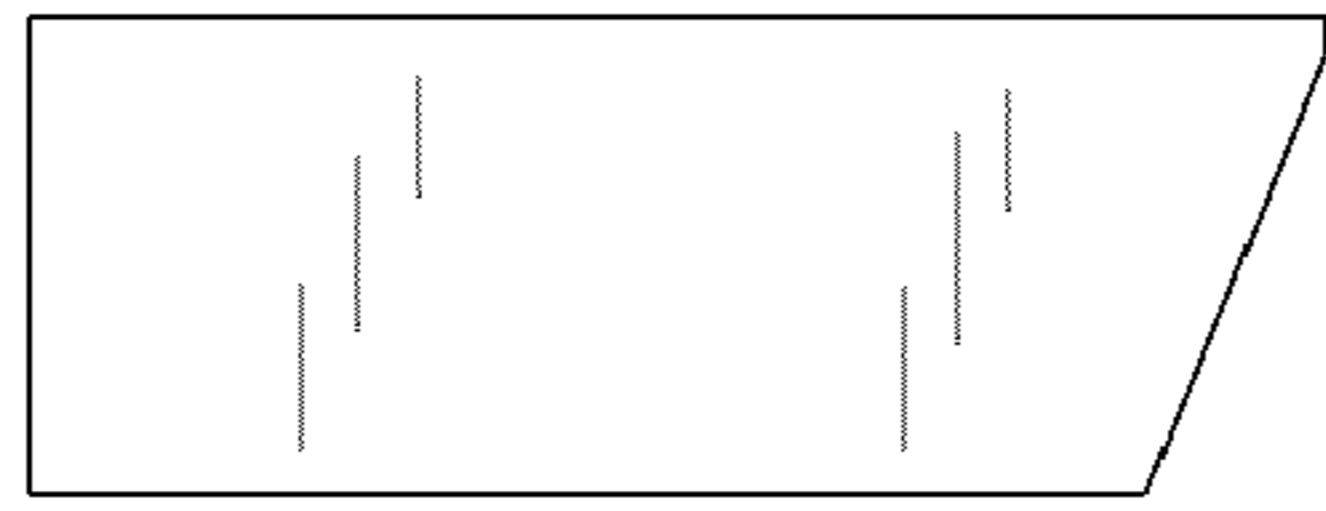


FIG. 4

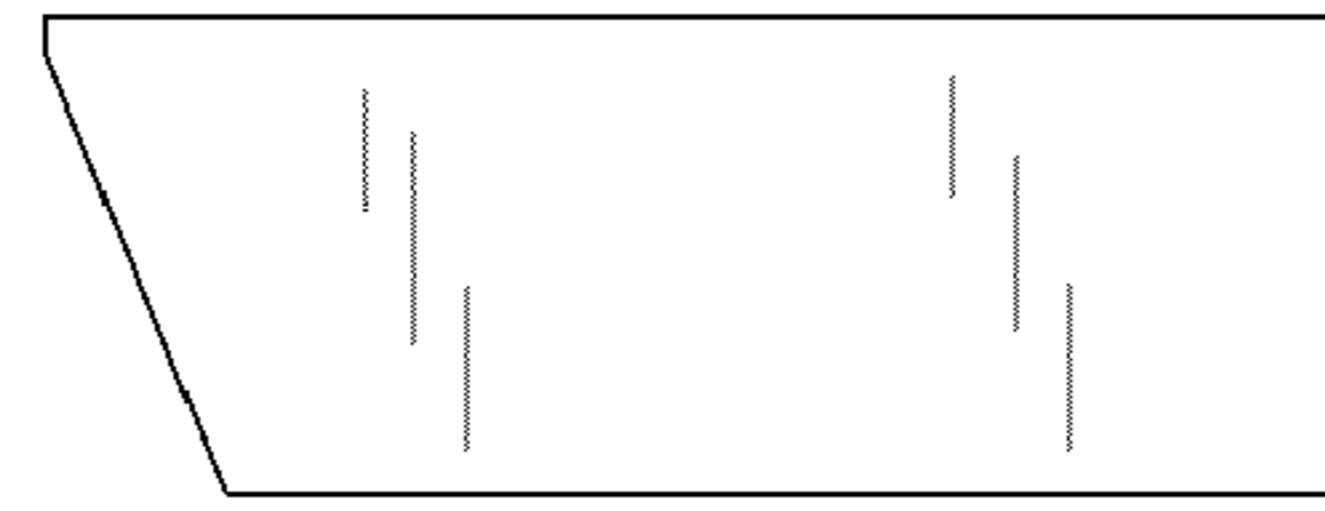


FIG. 5

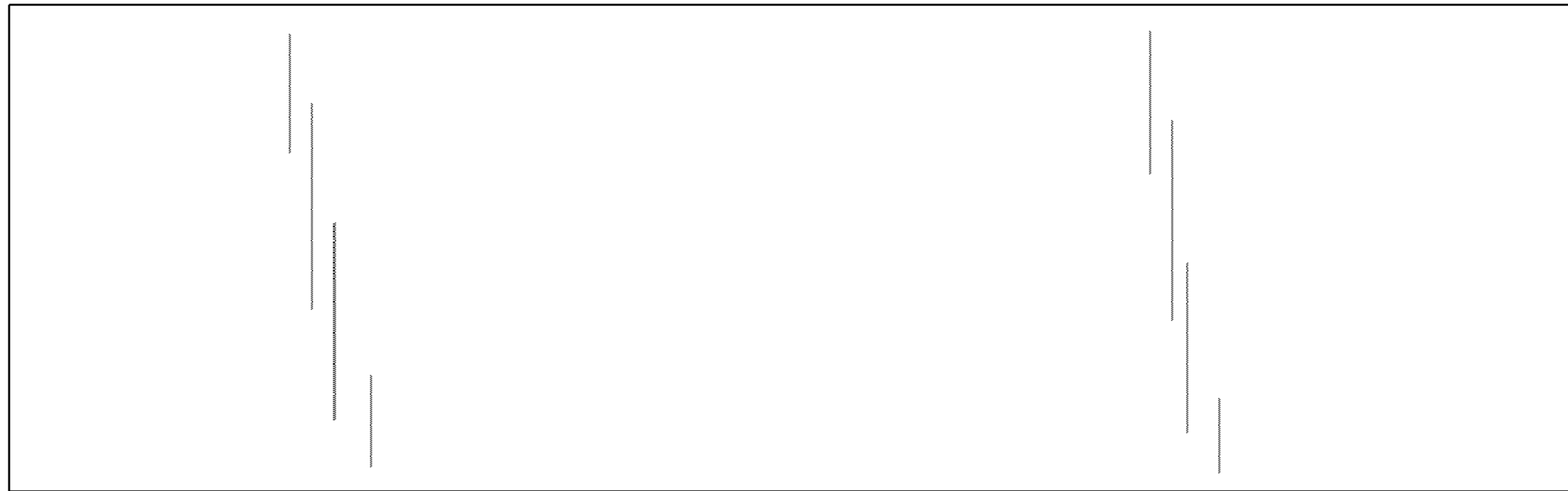


FIG. 6

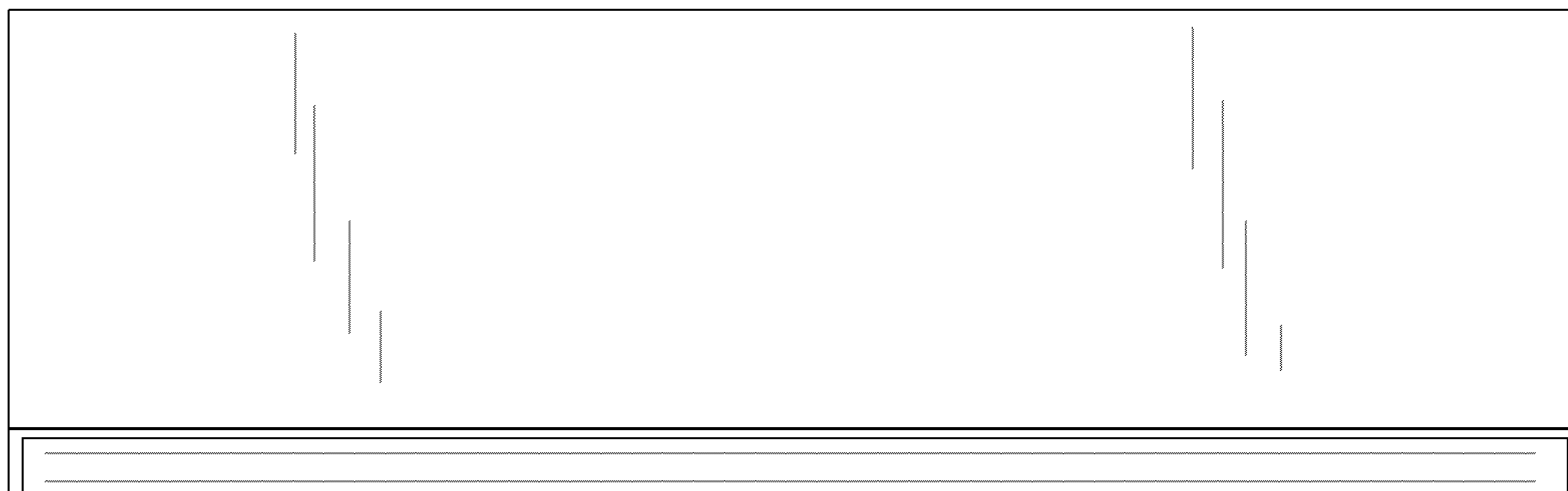


FIG. 7

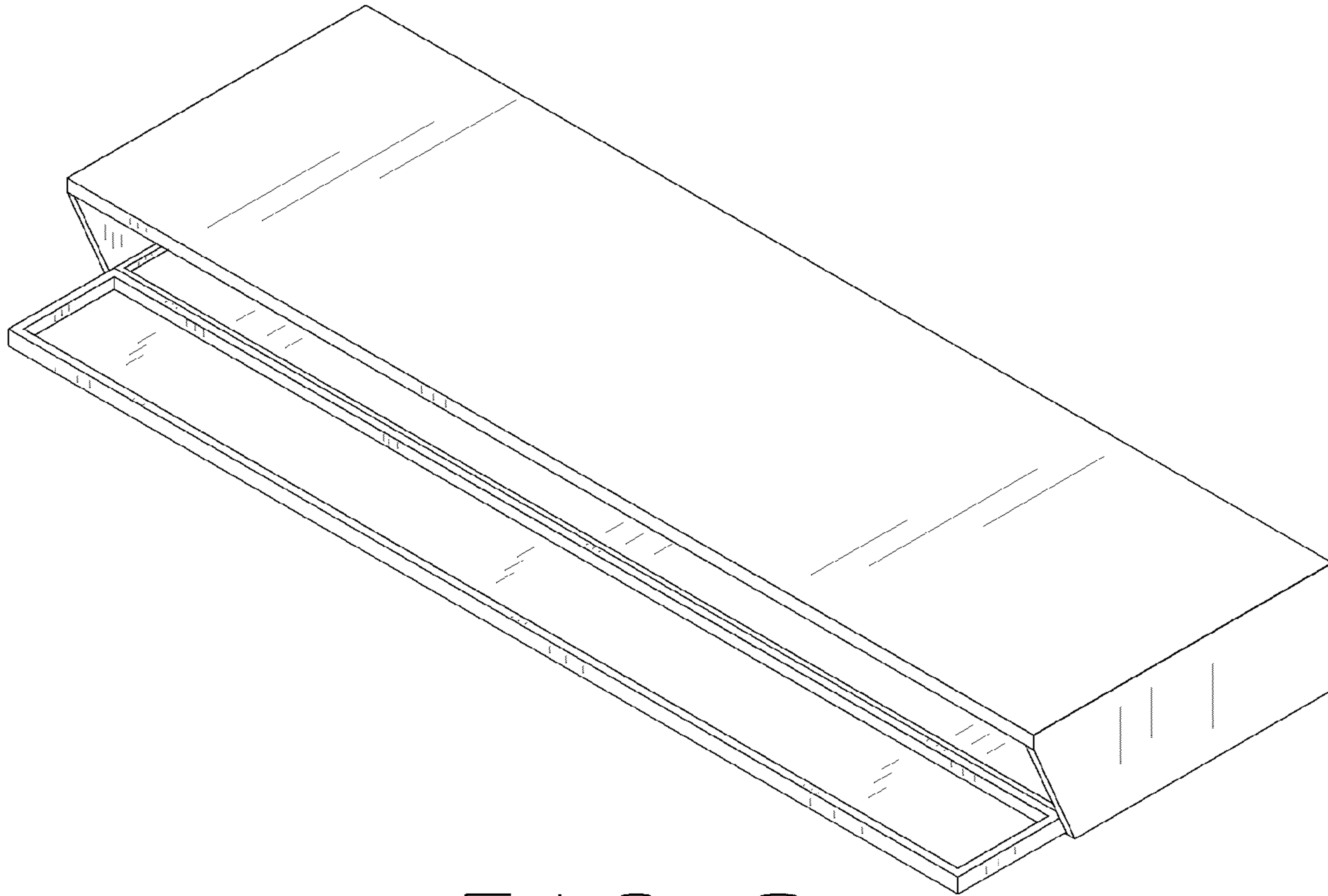


FIG. 8

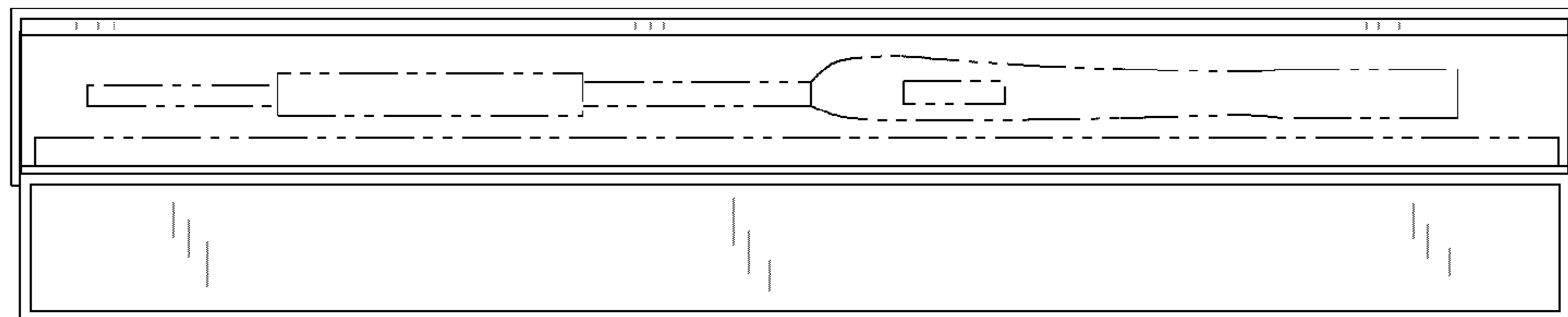


FIG. 9