



US00D651783S

(12) **United States Design Patent**
Shibata et al.

(10) **Patent No.:** **US D651,783 S**

(45) **Date of Patent:** **** Jan. 3, 2012**

(54) **FORKLIFT TRUCK**

D613,024 S * 3/2010 Yakushi D34/34
D613,474 S * 4/2010 Yakushi D34/34
D634,504 S * 3/2011 Radaelli D34/34

(75) Inventors: **Naoki Shibata**, Tokyo (JP); **Yuji Mori**,
Tokyo (JP)

* cited by examiner

(73) Assignee: **Mitsubishi Heavy Industries, Ltd.**,
Tokyo (JP)

Primary Examiner — Cynthia Ramirez

(74) *Attorney, Agent, or Firm* — Birch, Stewart, Kolasch &
Birch, LLP

(**) Term: **14 Years**

(21) Appl. No.: **29/388,687**

(57) **CLAIM**

The ornamental design for a forklift truck, as shown and
described.

(22) Filed: **Mar. 31, 2011**

(51) **LOC (9) Cl.** **12-05**

(52) **U.S. Cl.** **D34/35; D34/34**

(58) **Field of Classification Search** D34/34,
D34/35; 187/222, 234, 226, 238; 414/631,
414/572, 592; 180/89.12, 89.13, 89.17
See application file for complete search history.

DESCRIPTION

FIG. 1 is a perspective view of a forklift truck in accordance
with our invention;
FIG. 2 is a right side elevation view thereof;
FIG. 3 is a left side elevation view thereof;
FIG. 4 is a front elevation view thereof;
FIG. 5 is a rear elevation view thereof;
FIG. 6 is a top view thereof; and,
FIG. 7 is a bottom view thereof.

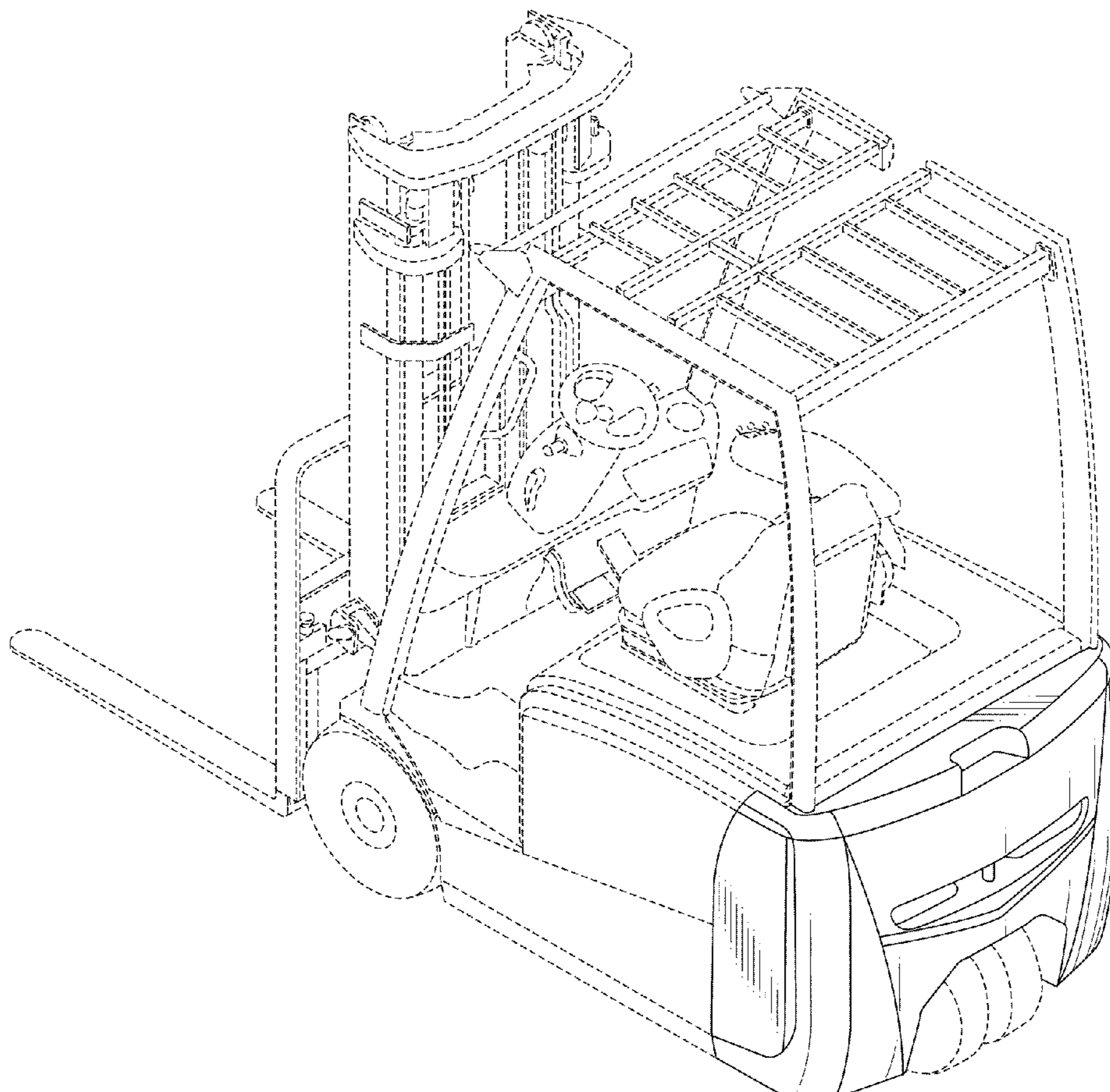
The portions of the forklift truck shown in broken lines are for
the purpose of showing environmental structure only and
form no part of the claimed design.

(56) **References Cited**

U.S. PATENT DOCUMENTS

D538,004 S * 3/2007 Kouyama et al. D34/34
D557,474 S * 12/2007 Kouyama et al. D34/34
D576,775 S * 9/2008 Buchmann et al. D34/35
D578,271 S * 10/2008 Mori et al. D34/34
D612,563 S * 3/2010 Stark D34/34

1 Claim, 7 Drawing Sheets



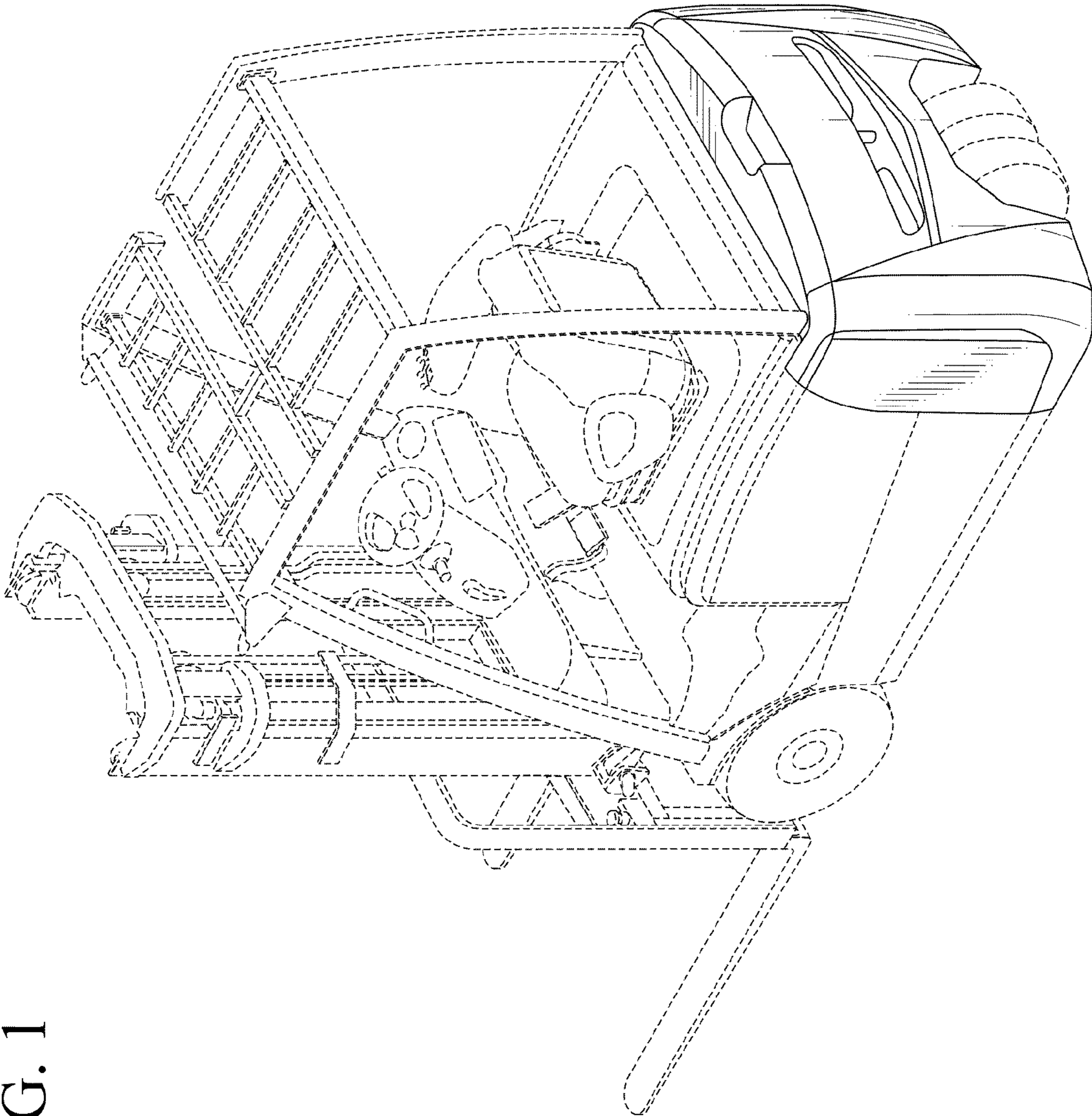


FIG. 1

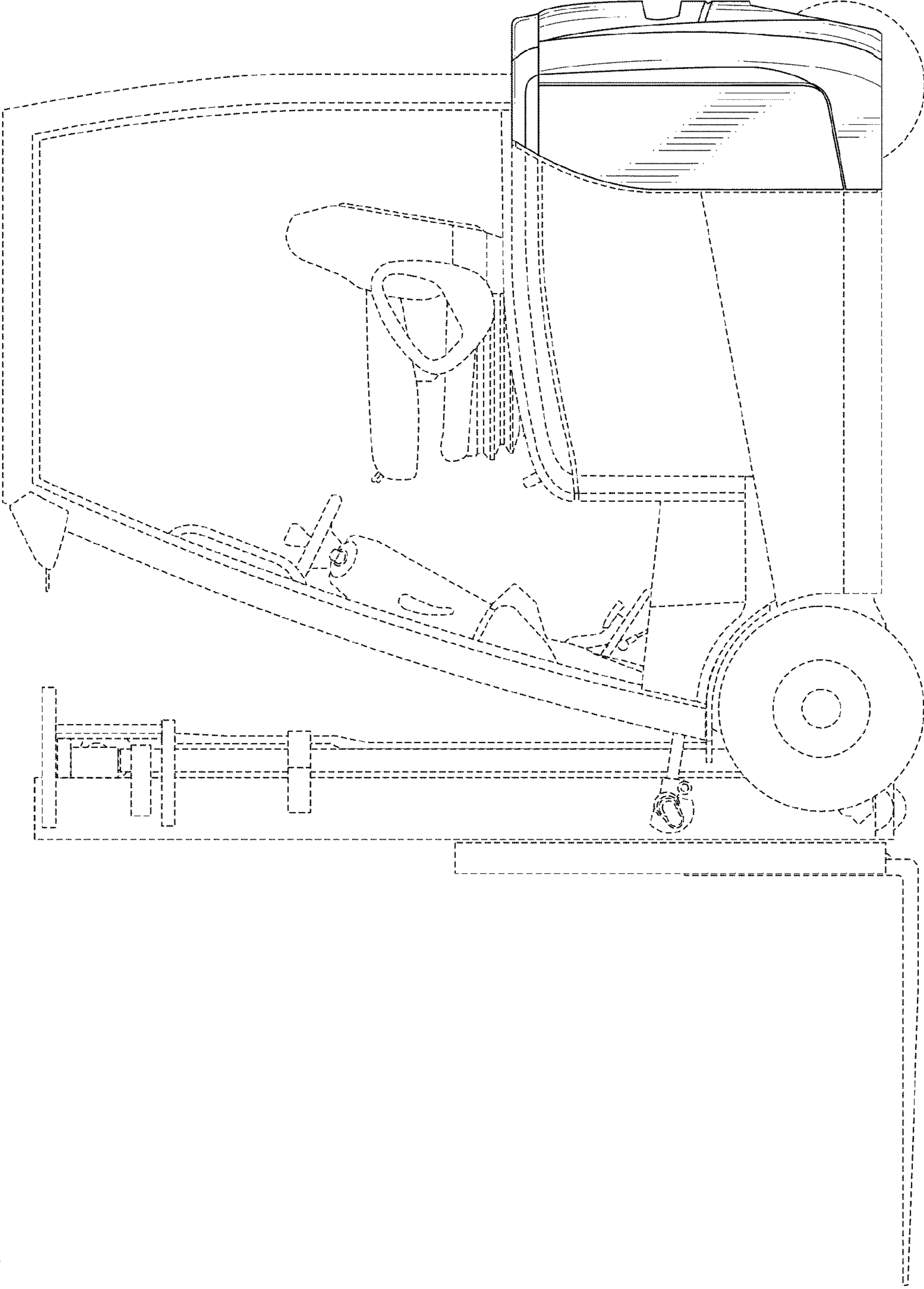


FIG. 2

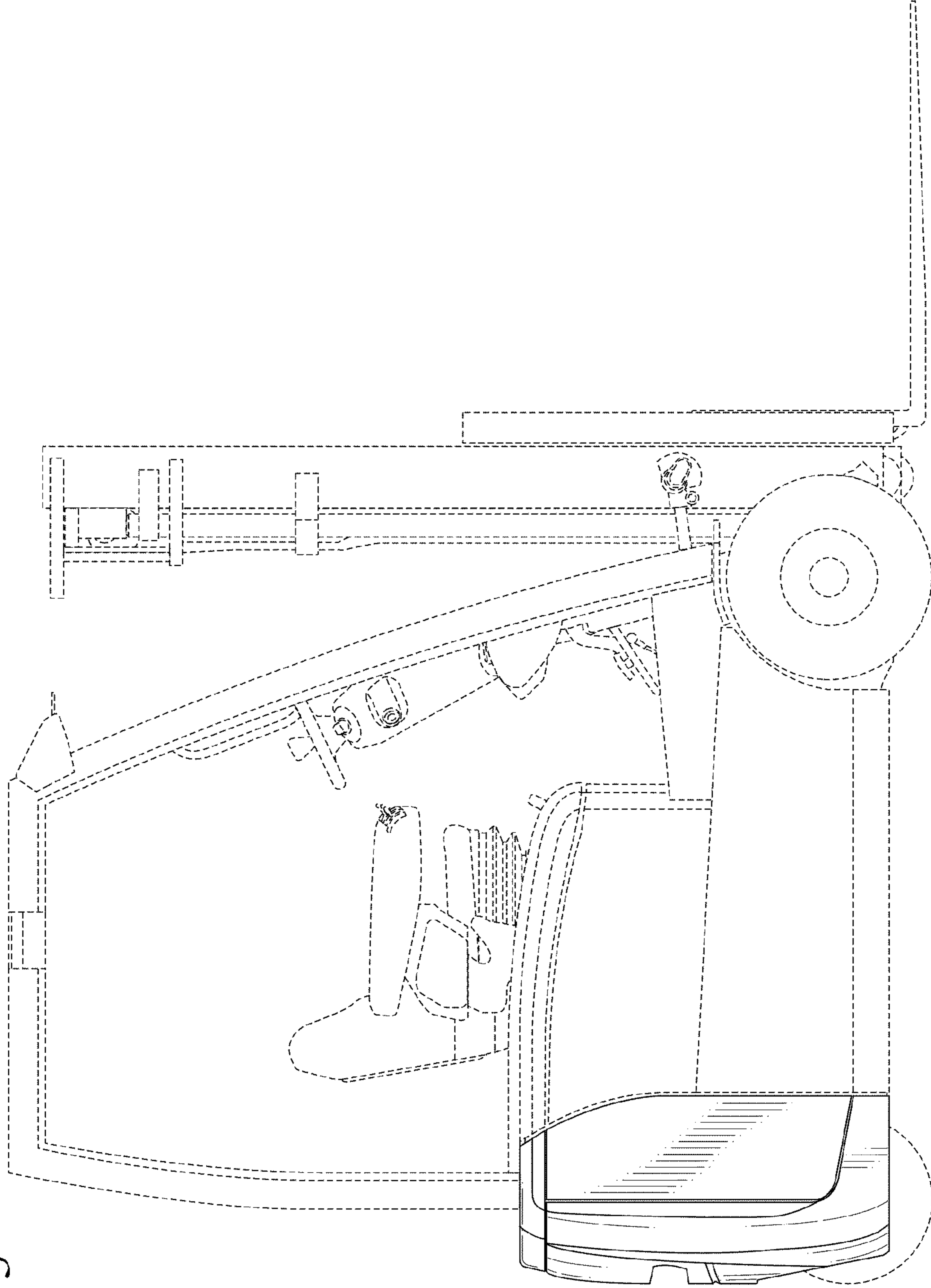


FIG. 3

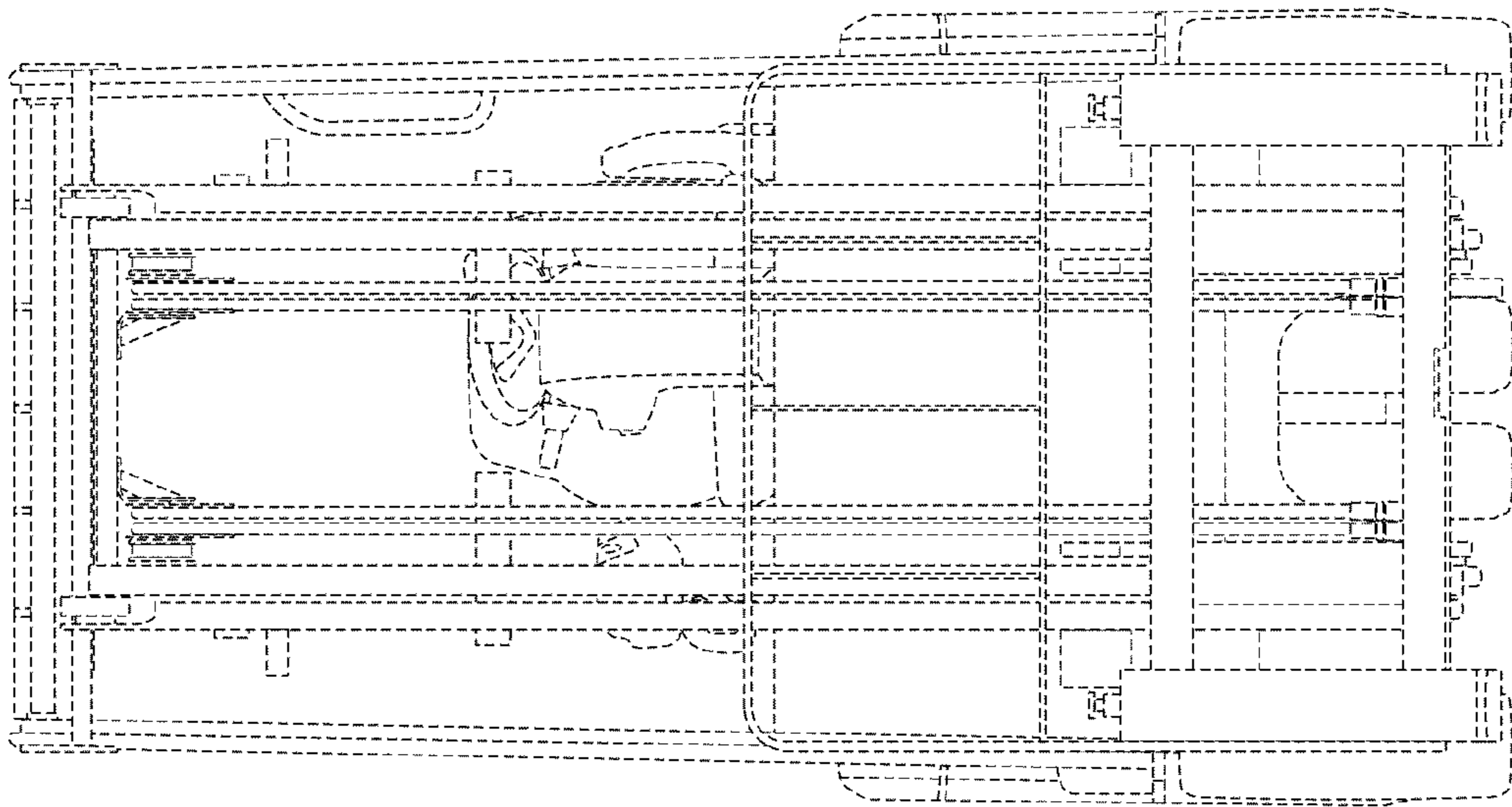


FIG. 4

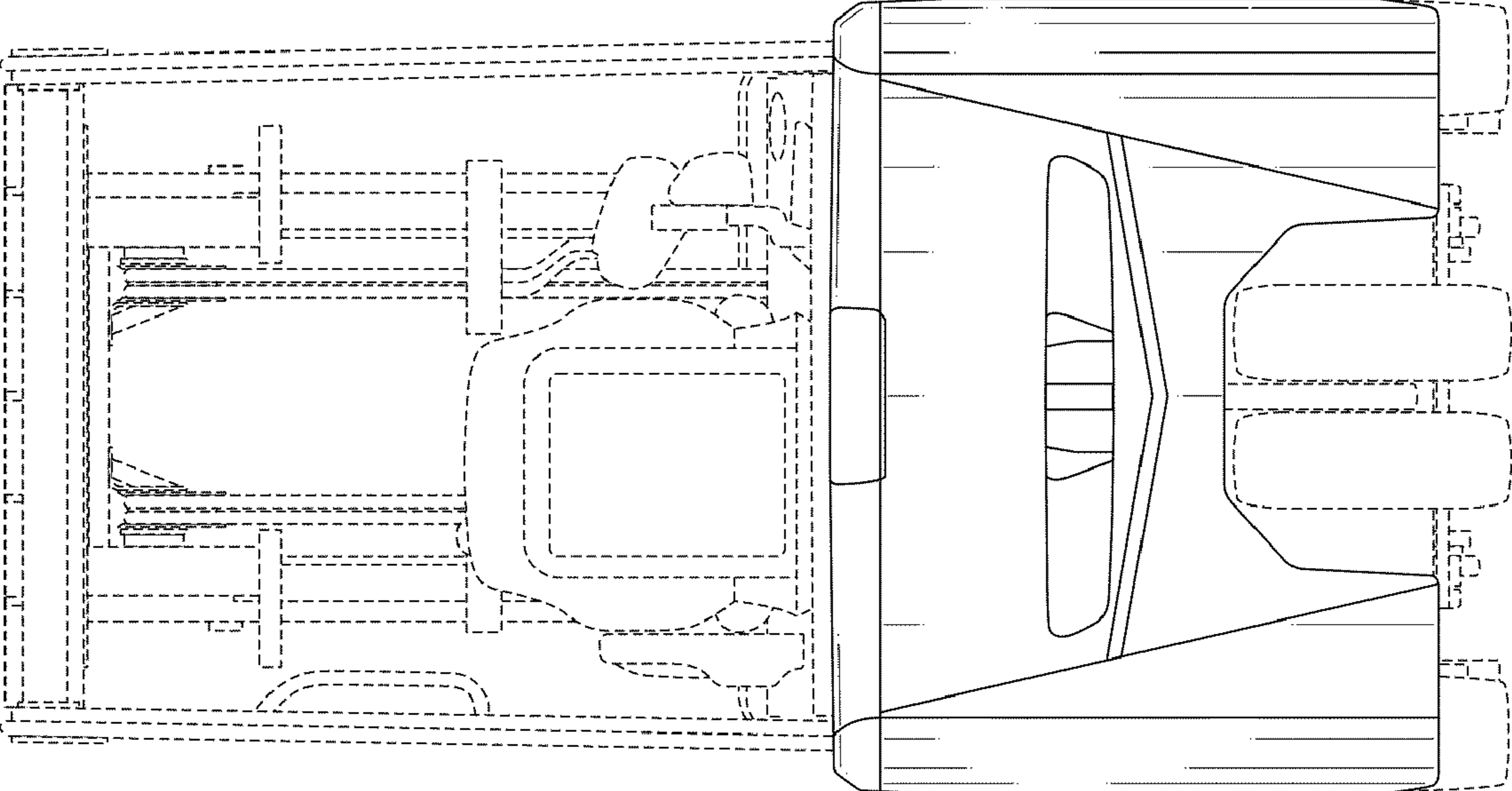


FIG. 5

FIG. 6

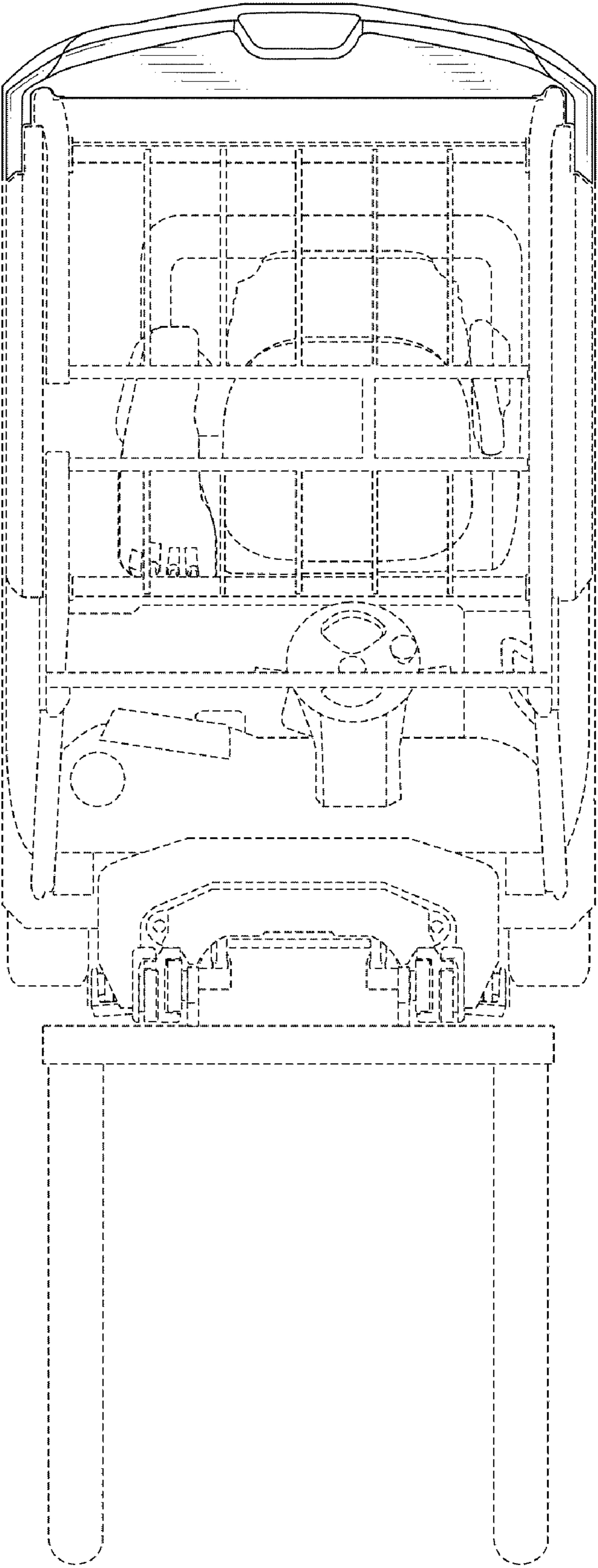


FIG. 7

