



US00D651782S

(12) **United States Design Patent**
Richardson et al.

(10) **Patent No.:** **US D651,782 S**

(45) **Date of Patent:** **** Jan. 3, 2012**

(54) **PROTECTOR**

(75) Inventors: **Alexander Richardson**, Bournemouth
(GB); **Alister James Richardson**,
Bournemouth (GB)

(73) Assignee: **Chok-a-Blok Ltd**, Dorset (GB)

(**) Term: **14 Years**

(21) Appl. No.: **29/380,206**

(22) Filed: **Dec. 1, 2010**

(30) **Foreign Application Priority Data**

Jun. 1, 2010 (EM) 001714395-0001
Jun. 1, 2010 (EM) 001714395-0002
Jun. 1, 2010 (EM) 001714395-0003

(51) **LOC (9) Cl.** **12-05**

(52) **U.S. Cl.** **D34/35**

(58) **Field of Classification Search** D34/35;
D30/152; D29/101.1; 5/81.1 R, 84.1, 89.1,
5/88.1; D24/188, 190

See application file for complete search history.

(56) **References Cited**

U.S. PATENT DOCUMENTS

2,562,355 A * 7/1951 Grant 128/99.1
2,680,315 A * 6/1954 McHugh et al. 40/303

3,102,446 A * 9/1963 Raleigh 84/327
3,536,357 A * 10/1970 Murcott 297/485
4,384,372 A * 5/1983 Rector 2/300
4,413,358 A * 11/1983 Jimenez 2/321
4,782,535 A * 11/1988 Yewer et al. 2/321
4,964,401 A * 10/1990 Taigen 482/93
D336,566 S * 6/1993 Desjardins D29/101.1
D622,179 S * 8/2010 Frye D11/216
D629,583 S * 12/2010 Liljedahl D34/35
D633,255 S * 2/2011 Foreman D29/101.1
D636,964 S * 4/2011 Thomas et al. D34/35

* cited by examiner

Primary Examiner — Cynthia Ramirez

(74) *Attorney, Agent, or Firm* — Morrison & Foerster LLP

(57) **CLAIM**

We claim the ornamental design for a protector, as shown and described.

DESCRIPTION

FIG. 1 is a perspective view of a protector showing our new design;

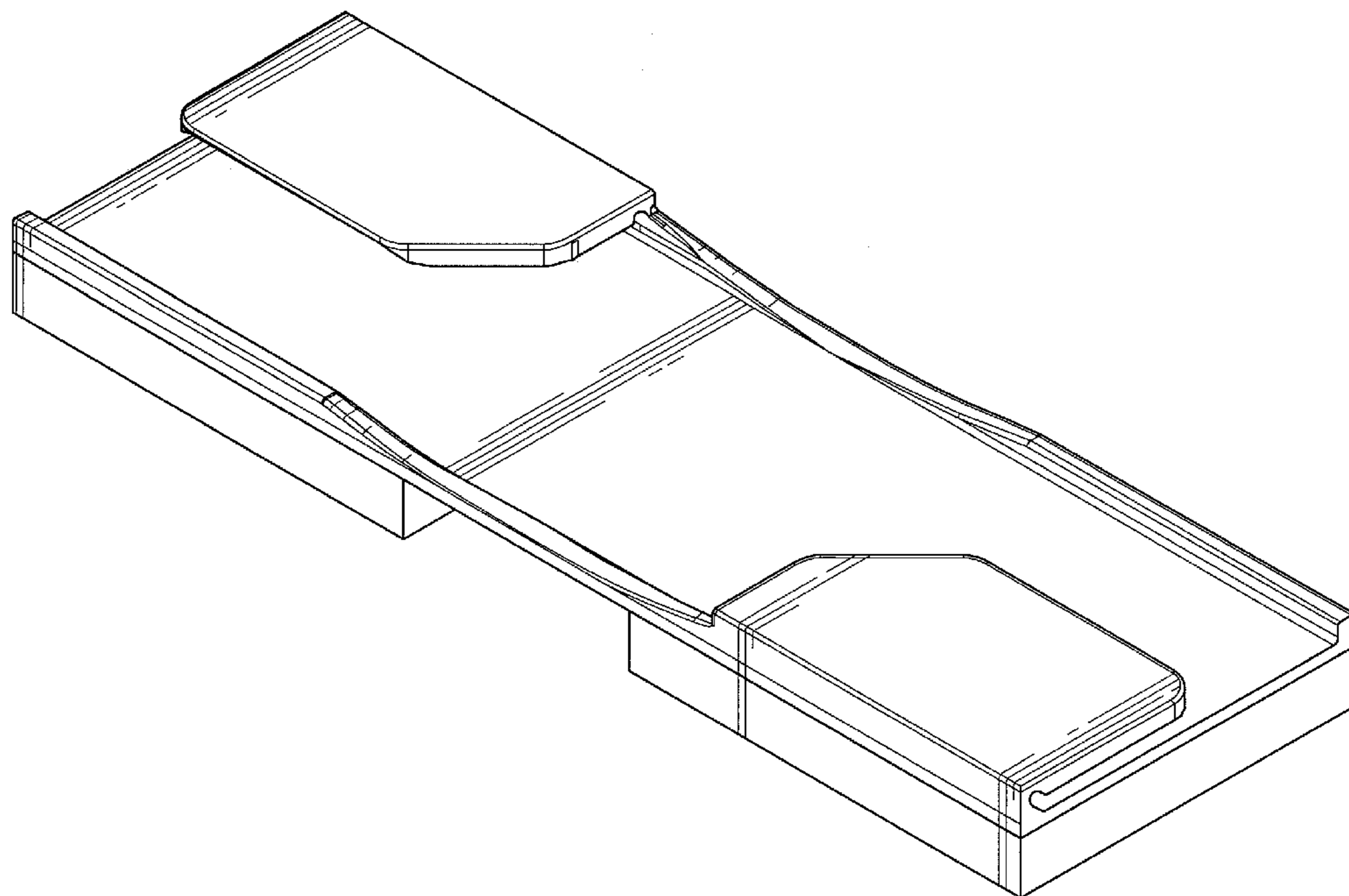
FIG. 2 is an end view of the design of FIG. 1;

FIG. 3 is a side view of the design of FIG. 1;

FIG. 4 is a top plan view of the design of FIG. 1; and,

FIG. 5 is a rear view of the design of FIG. 1.

1 Claim, 5 Drawing Sheets



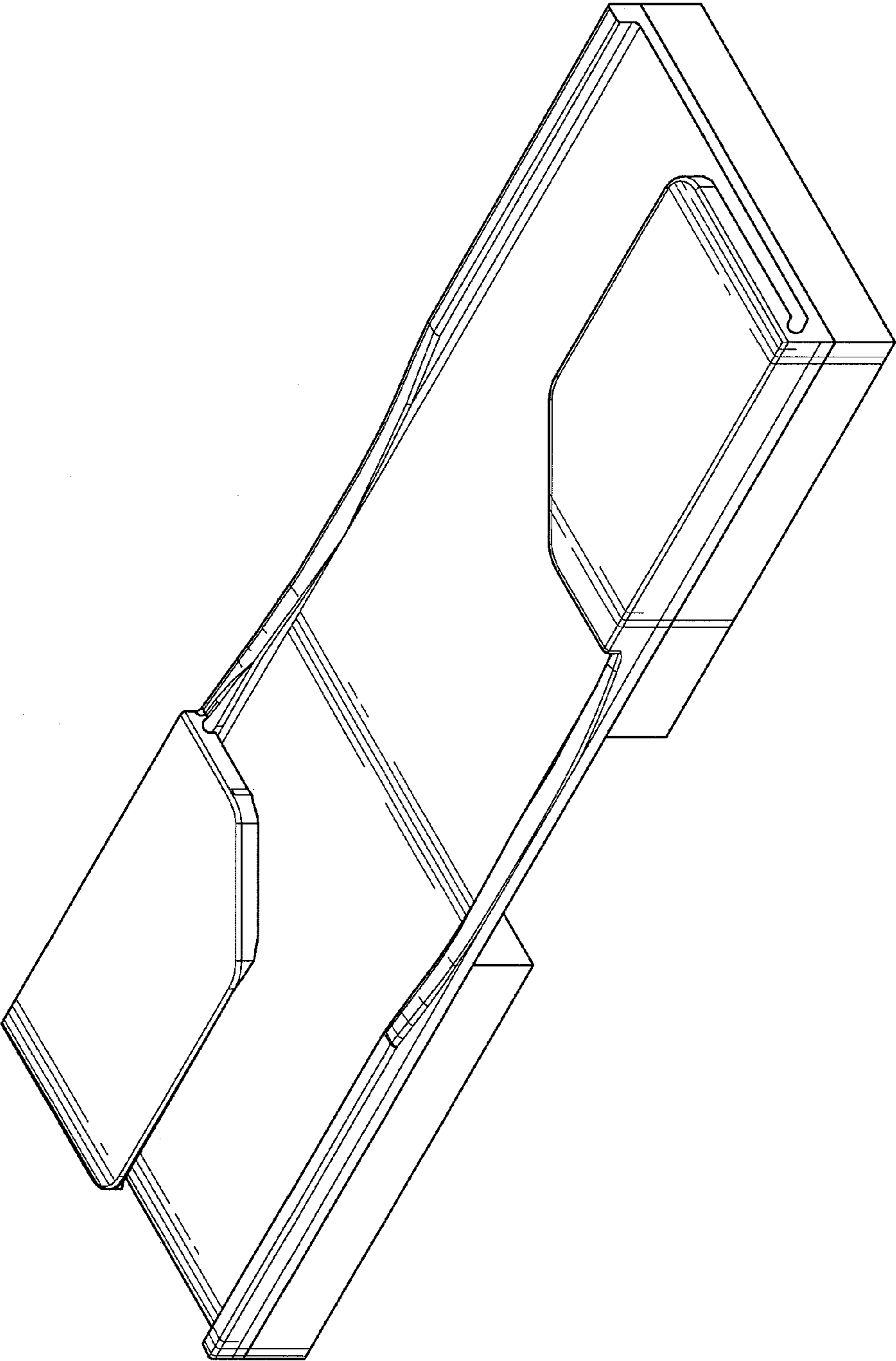


FIG. 1

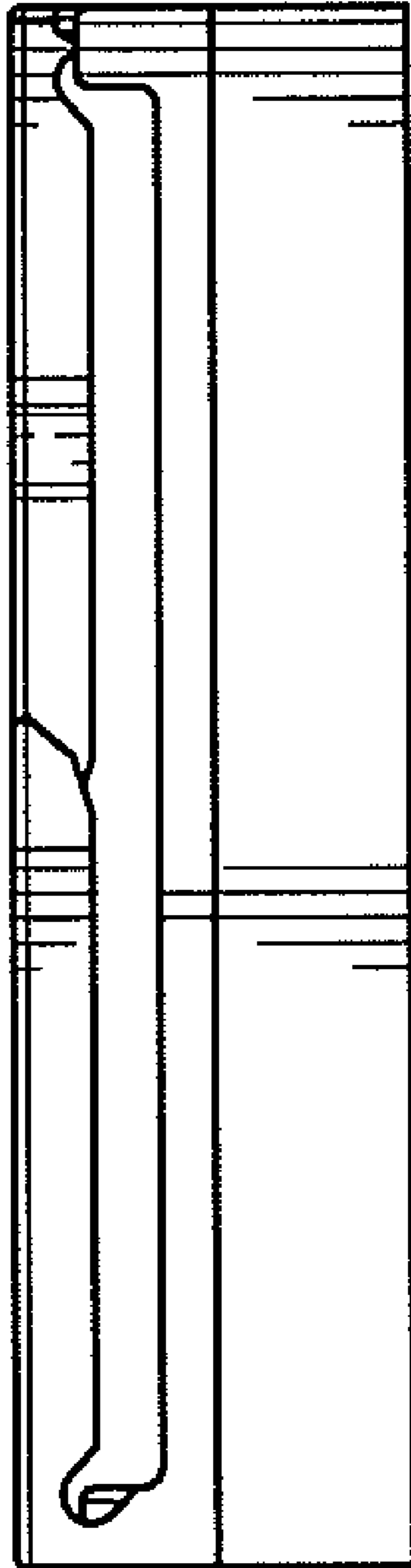


FIG. 2

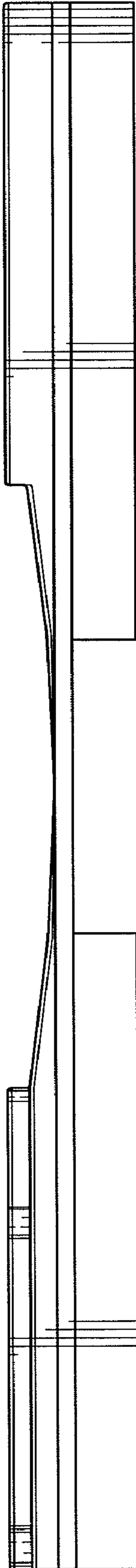


FIG. 3

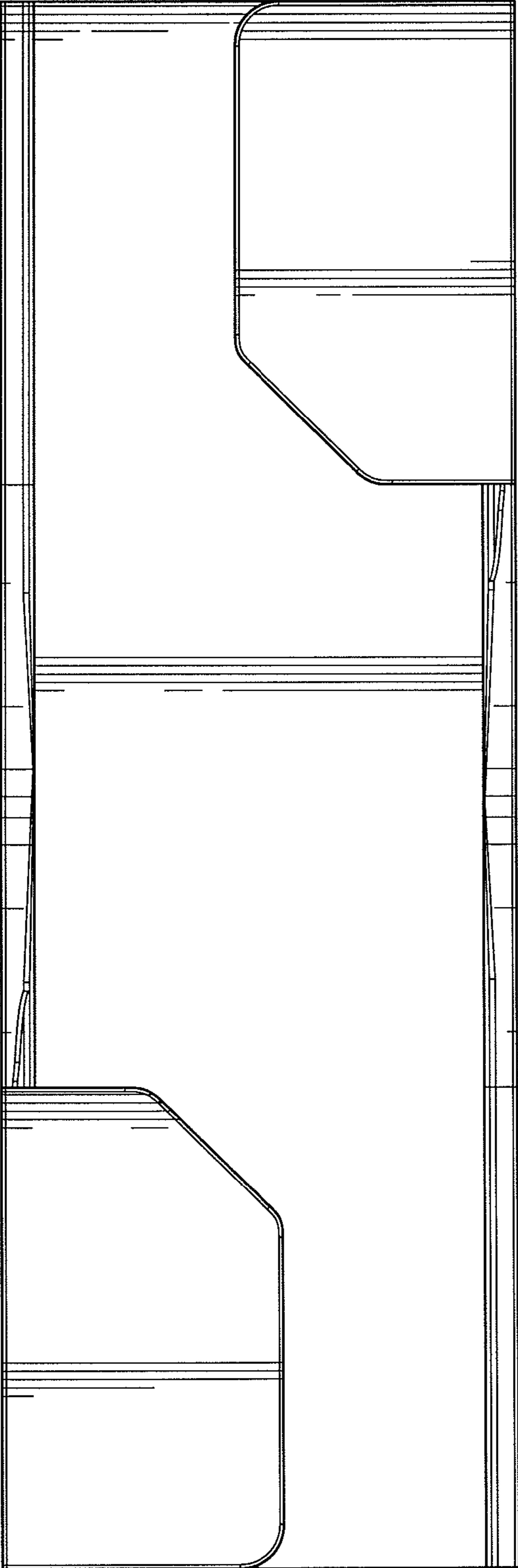


FIG. 4

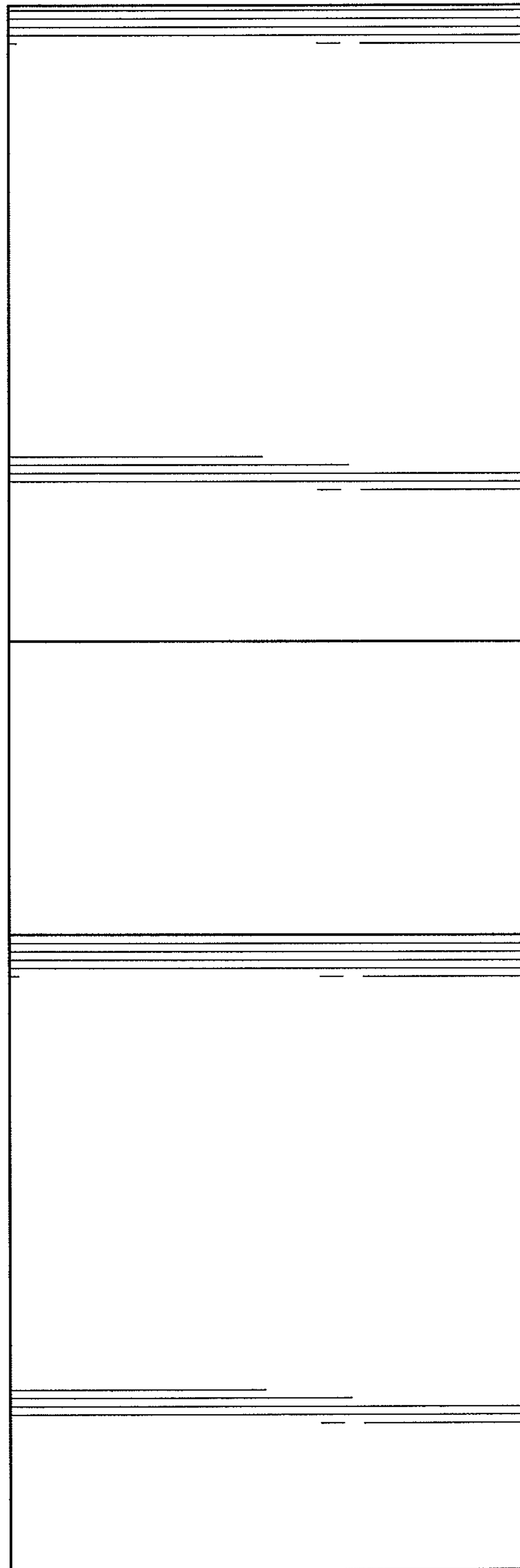


FIG. 5