



US00D651779S

(12) **United States Design Patent**  
**Balkum**

(10) **Patent No.:** **US D651,779 S**  
(45) **Date of Patent:** **\*\* Jan. 3, 2012**

(54) **DISHWASHING PAN**

(76) Inventor: **Frank R. Balkum**, Pawtucket, RI (US)

(\*\*) Term: **14 Years**

(21) Appl. No.: **29/398,240**

(22) Filed: **Jul. 28, 2011**

(51) **LOC (9) Cl.** ..... **07-05**

(52) **U.S. Cl.** ..... **D32/55**

(58) **Field of Classification Search** ..... D32/55,  
D32/276, 3; D6/510, 525; D30/133; 211/41.5,  
211/41.4, 41.3, 41.8; 361/679.4; 312/311,  
312/333, 334.4; D7/354, 629

See application file for complete search history.

(56) **References Cited**

**U.S. PATENT DOCUMENTS**

D35,670 S *	2/1902	Eustis	.....	D32/55
D188,864 S *	9/1960	Stansbury, Jr. et al.	.....	D32/55
D224,133 S *	7/1972	Swett	.....	D32/55
D261,602 S *	11/1981	Anderson	.....	D32/55
D268,959 S *	5/1983	Troy	.....	D32/55

5,158,184 A *	10/1992	Craft et al.	.....	211/41.3
D345,834 S *	4/1994	Craft et al.	.....	D32/55
D586,061 S *	2/2009	Curtin	.....	D32/55
D599,069 S *	8/2009	Curtin	.....	D32/55
D624,721 S *	9/2010	Curtin	.....	D32/55
D636,545 S *	4/2011	Lawson et al.	.....	D30/161
D639,000 S *	5/2011	Weber	.....	D30/161

\* cited by examiner

*Primary Examiner* — Austin Murphy

(74) *Attorney, Agent, or Firm* — Salter & Michaelson

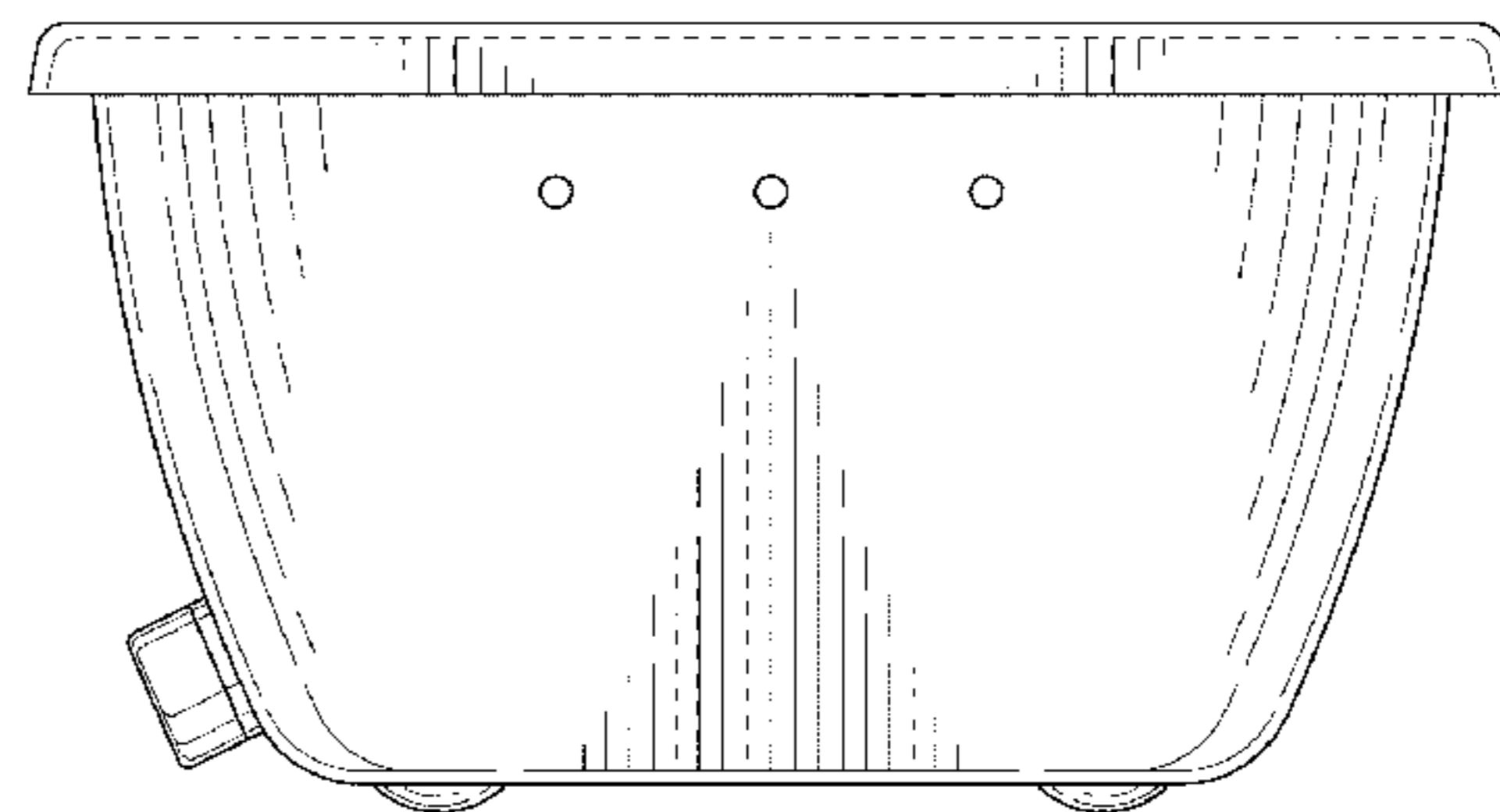
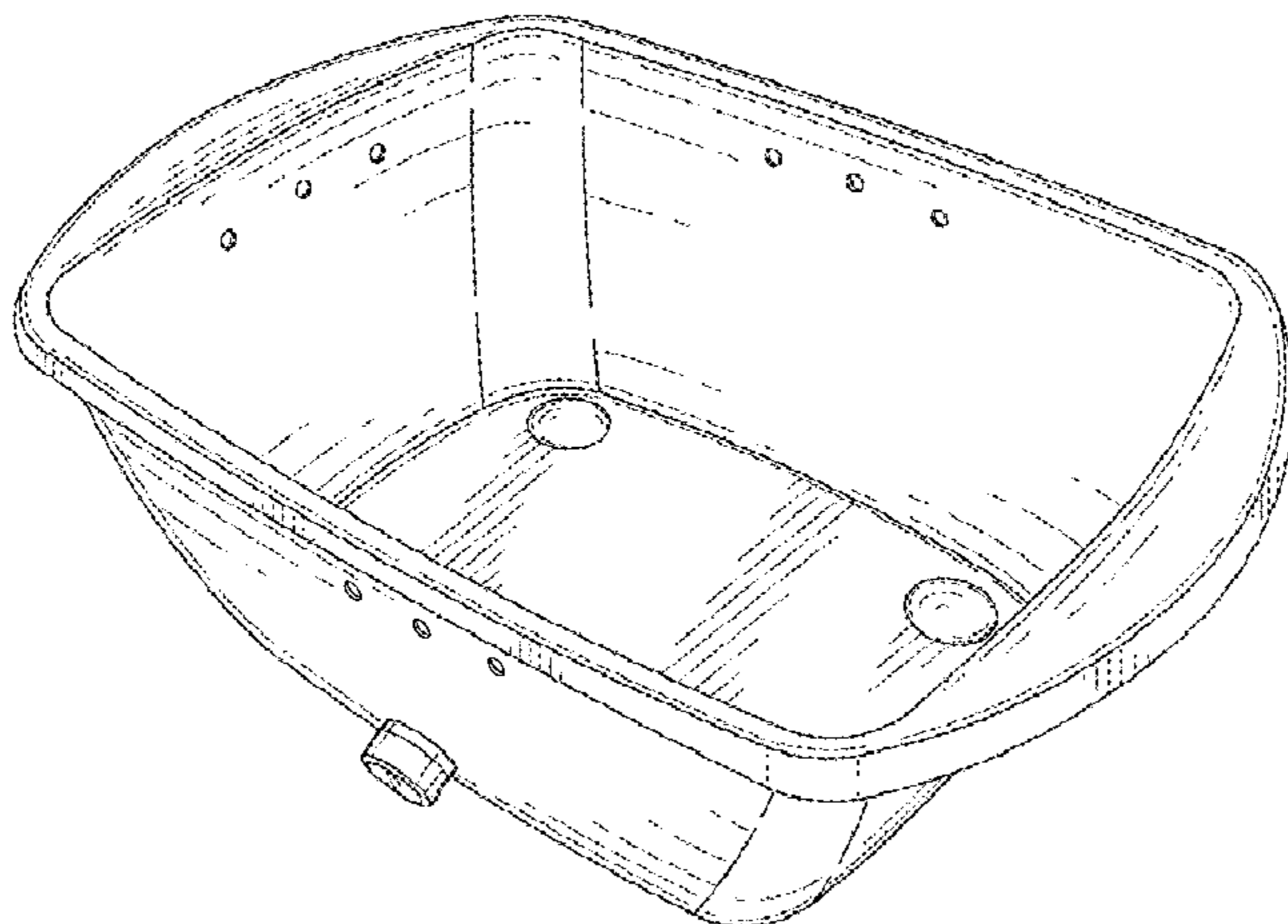
(57) **CLAIM**

The ornamental design for a dishwashing pan, as shown.

**DESCRIPTION**

FIG. 1 is a perspective view of the dishwashing pan thereof;  
FIG. 2 is a top plan view thereof;  
FIG. 3 is a bottom plan view thereof;  
FIG. 4 is a left side elevational view thereof;  
FIG. 5 is a right side elevational view thereof;  
FIG. 6 is a front elevational view thereof; and,  
FIG. 7 is a rear elevational view thereof.

**1 Claim, 5 Drawing Sheets**



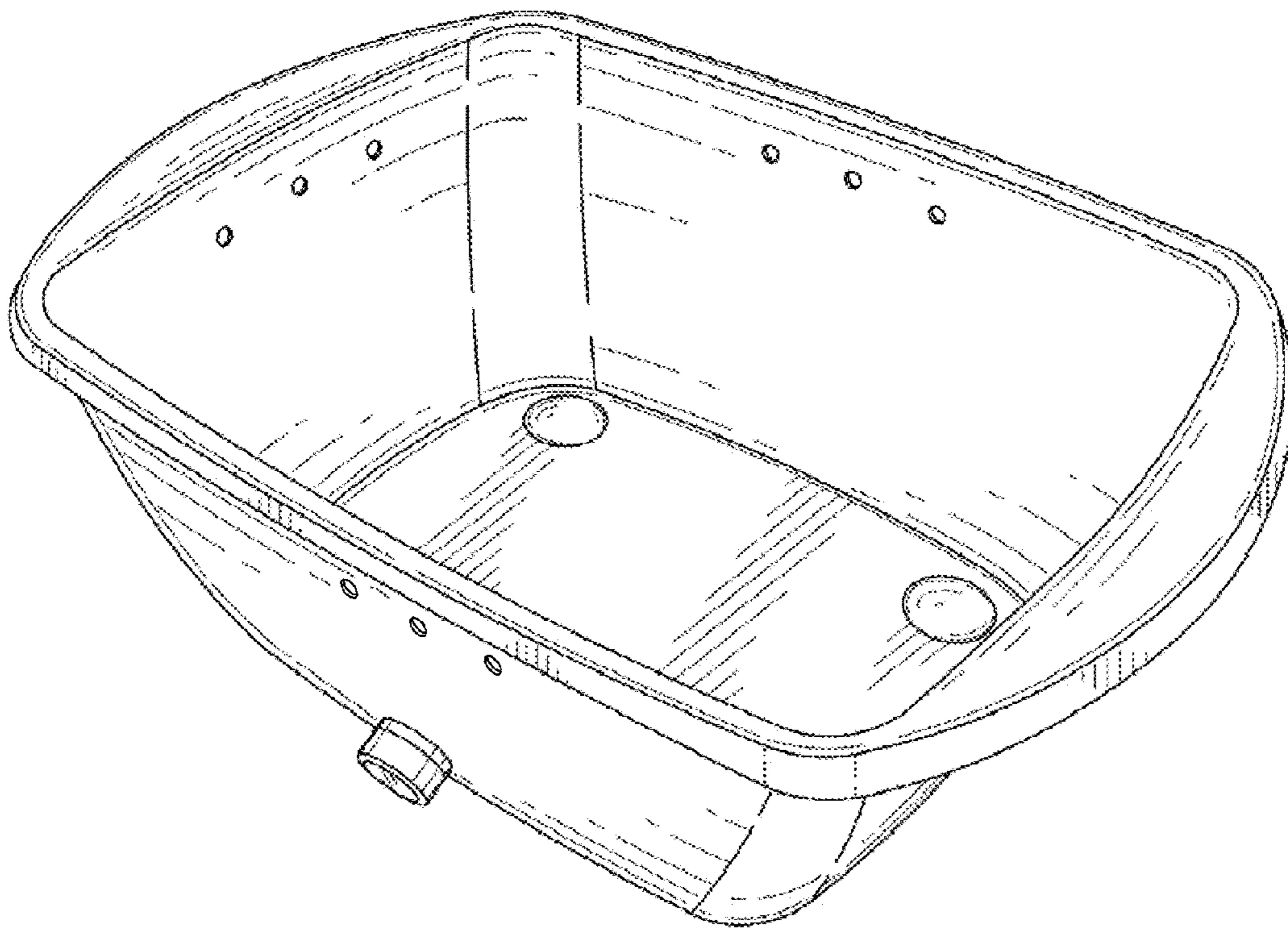


FIG. 1

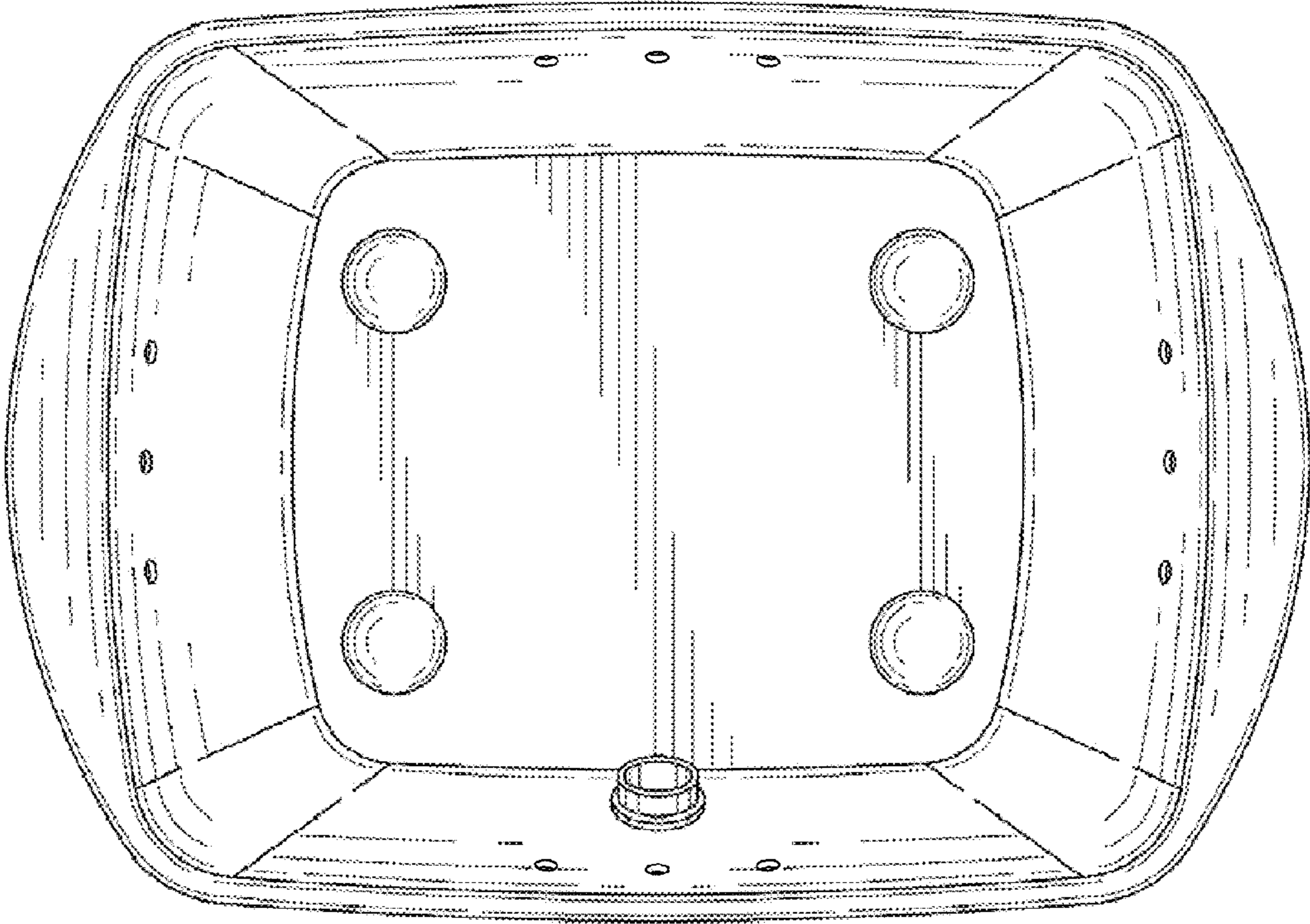


FIG. 2

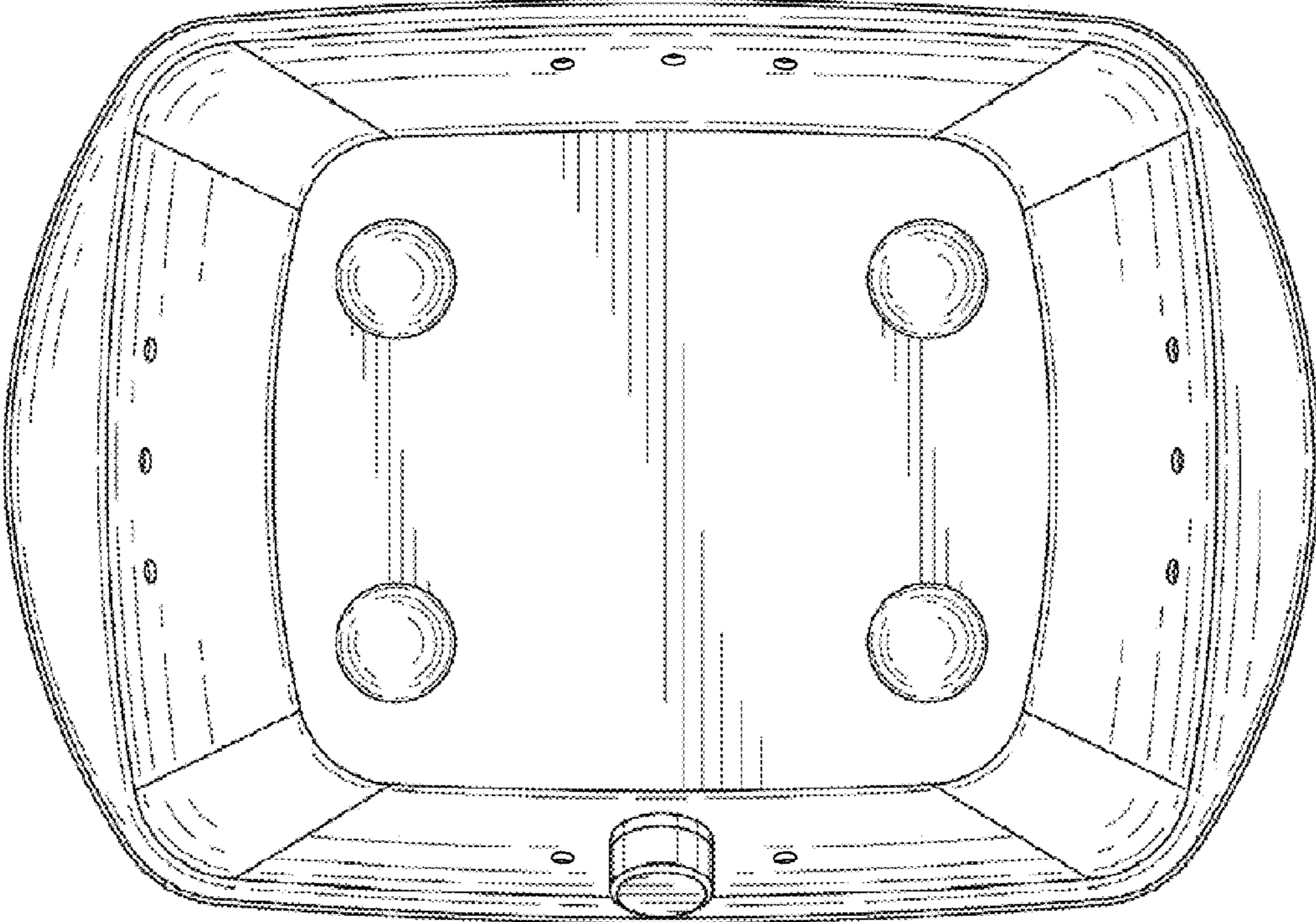


FIG. 3

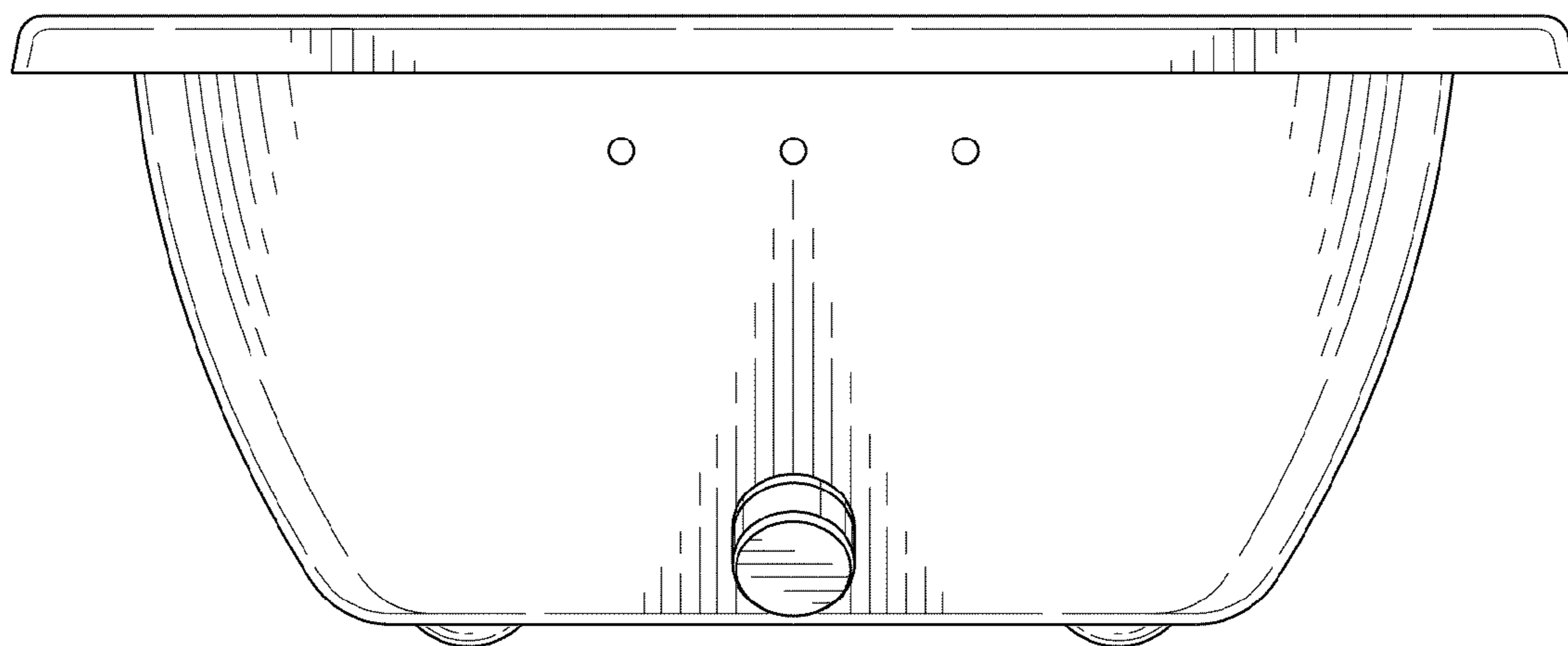


FIG. 4

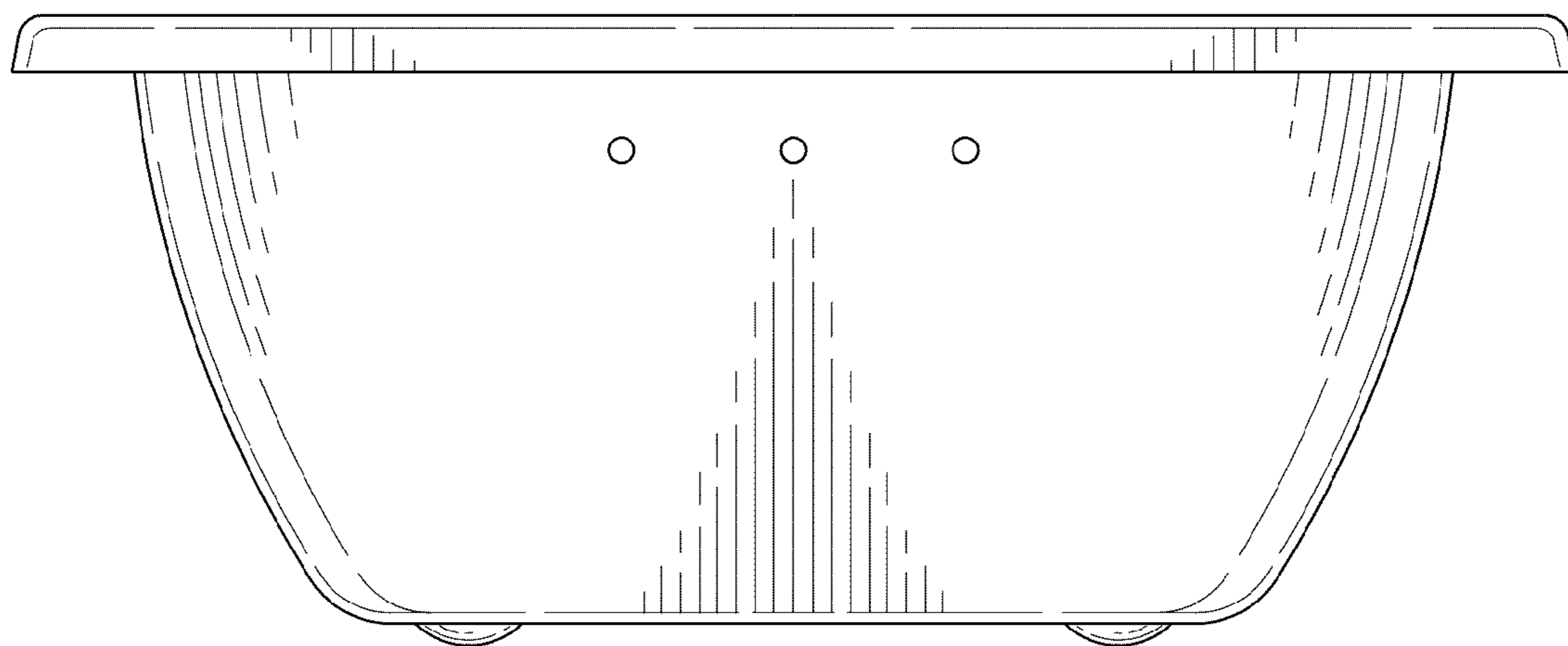


FIG. 5

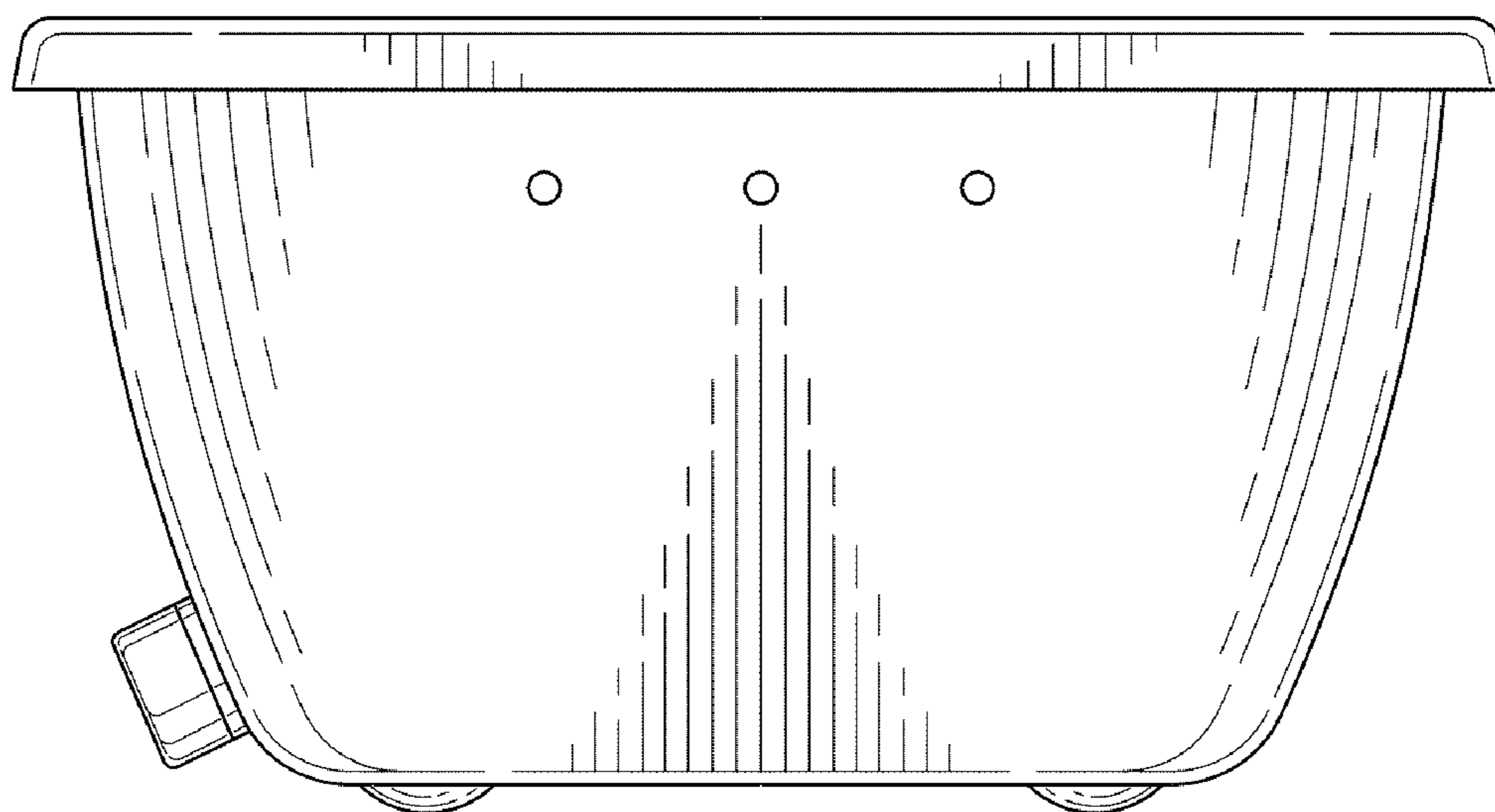


FIG. 6

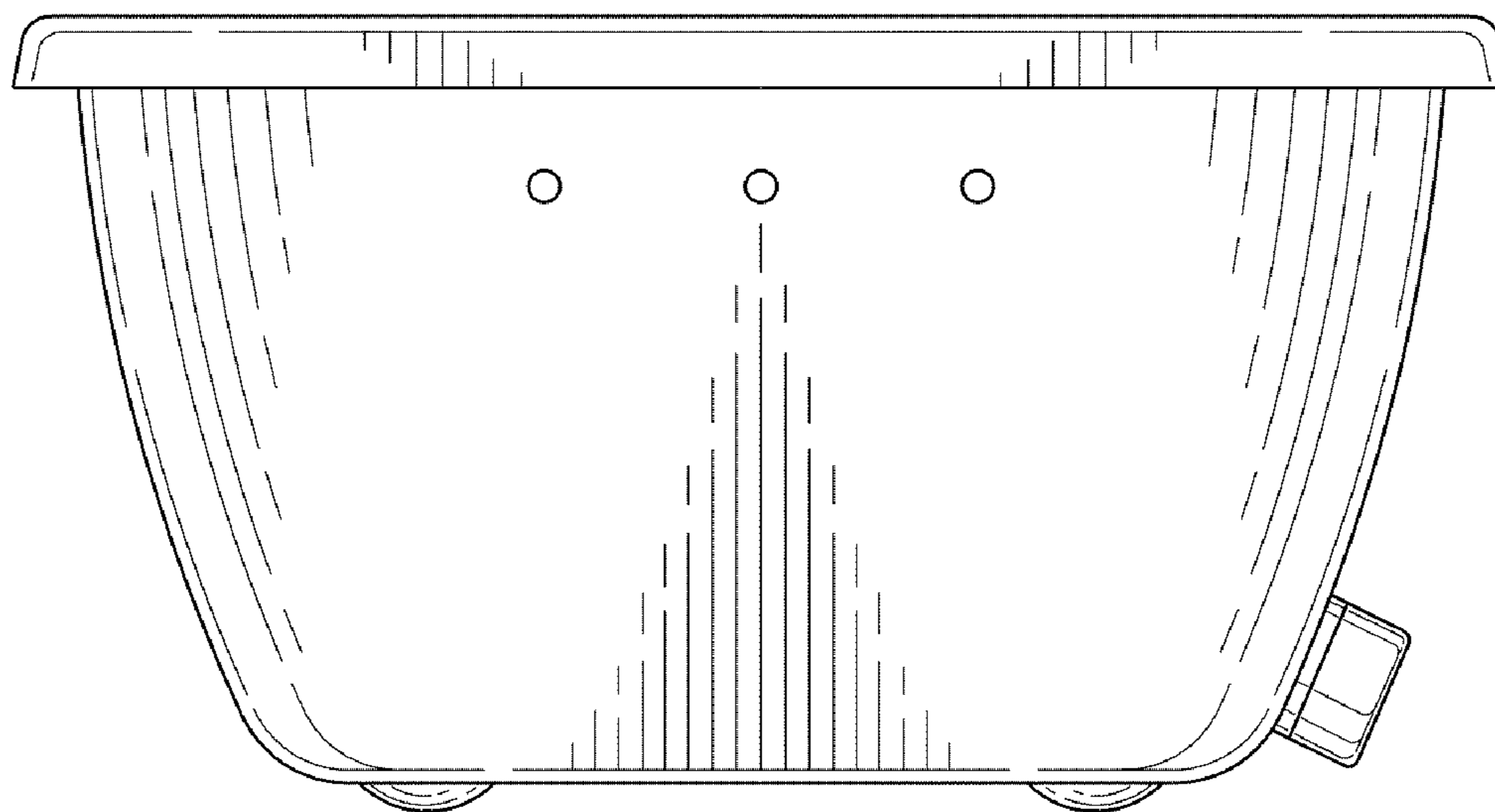


FIG. 7