



US00D651778S

(12) **United States Design Patent**
Miller et al.

(10) **Patent No.:** **US D651,778 S**
(45) **Date of Patent:** **** Jan. 3, 2012**

(54) **DRYER DOOR**

(75) Inventors: **David M. Miller**, Zeeland, MI (US);
Seth E. Bixby, Stevensville, MI (US)

(73) Assignee: **Whirlpool Corporation**, Benton Harbor,
MI (US)

(**) Term: **14 Years**

(21) Appl. No.: **29/365,946**

(22) Filed: **Jul. 16, 2010**

(51) **LOC (9) Cl.** **15-05**

(52) **U.S. Cl.** **D32/25**

(58) **Field of Classification Search** D32/1,
D32/5-6, 8, 10, 25, 28; 34/58, 108, 523,
34/595-597, 603; 68/3 R, 4, 5 R, 12.01,
68/12.08, 212

See application file for complete search history.

(56) **References Cited**

U.S. PATENT DOCUMENTS

D257,059 S *	9/1980	Schade	D23/335
D285,013 S *	8/1986	Nakamura et al.	D32/8
D524,000 S *	6/2006	Kim et al.	D32/6
D527,853 S *	9/2006	Carey et al.	D32/6
D532,941 S *	11/2006	Carey et al.	D32/6
D575,464 S *	8/2008	Rossetto et al.	D32/8
D589,215 S *	3/2009	Cho et al.	D32/6
D618,865 S *	6/2010	Cline et al.	D32/6
D619,313 S *	7/2010	Cline et al.	D32/25
D630,807 S *	1/2011	Song et al.	D32/6

* cited by examiner

Primary Examiner — T. Chase Nelson
Assistant Examiner — Kathleen M Sims

(74) *Attorney, Agent, or Firm* — Tara M. Hartman; Barnes &
Thornberg, LLP

(57) **CLAIM**

We claim the ornamental design for a dryer door, as shown
and described.

DESCRIPTION

FIG. 1 is a front perspective view of a first embodiment of the
dryer door showing our new design;

FIG. 2 is a front elevation view of the dryer door of FIG. 1;

FIG. 3 is a top plan view of the dryer door of FIG. 1;

FIG. 4 is a bottom plan view of the dryer door of FIG. 1;

FIG. 5 is a first side elevation view of the dryer door of FIG.
1, with the second side elevation view being a mirror image of
FIG. 5;

FIG. 6 is a front perspective view of a second embodiment of
the dryer door;

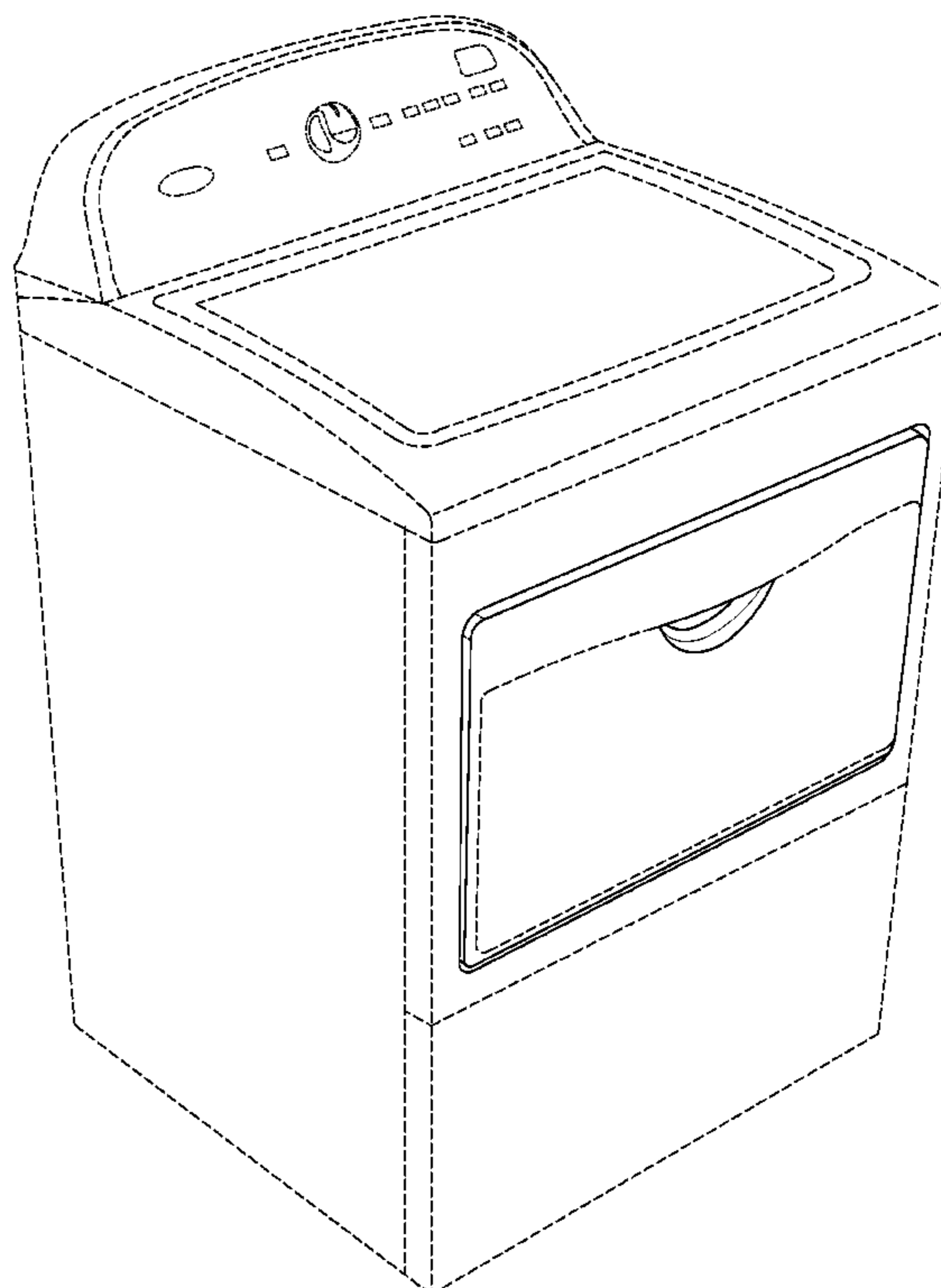
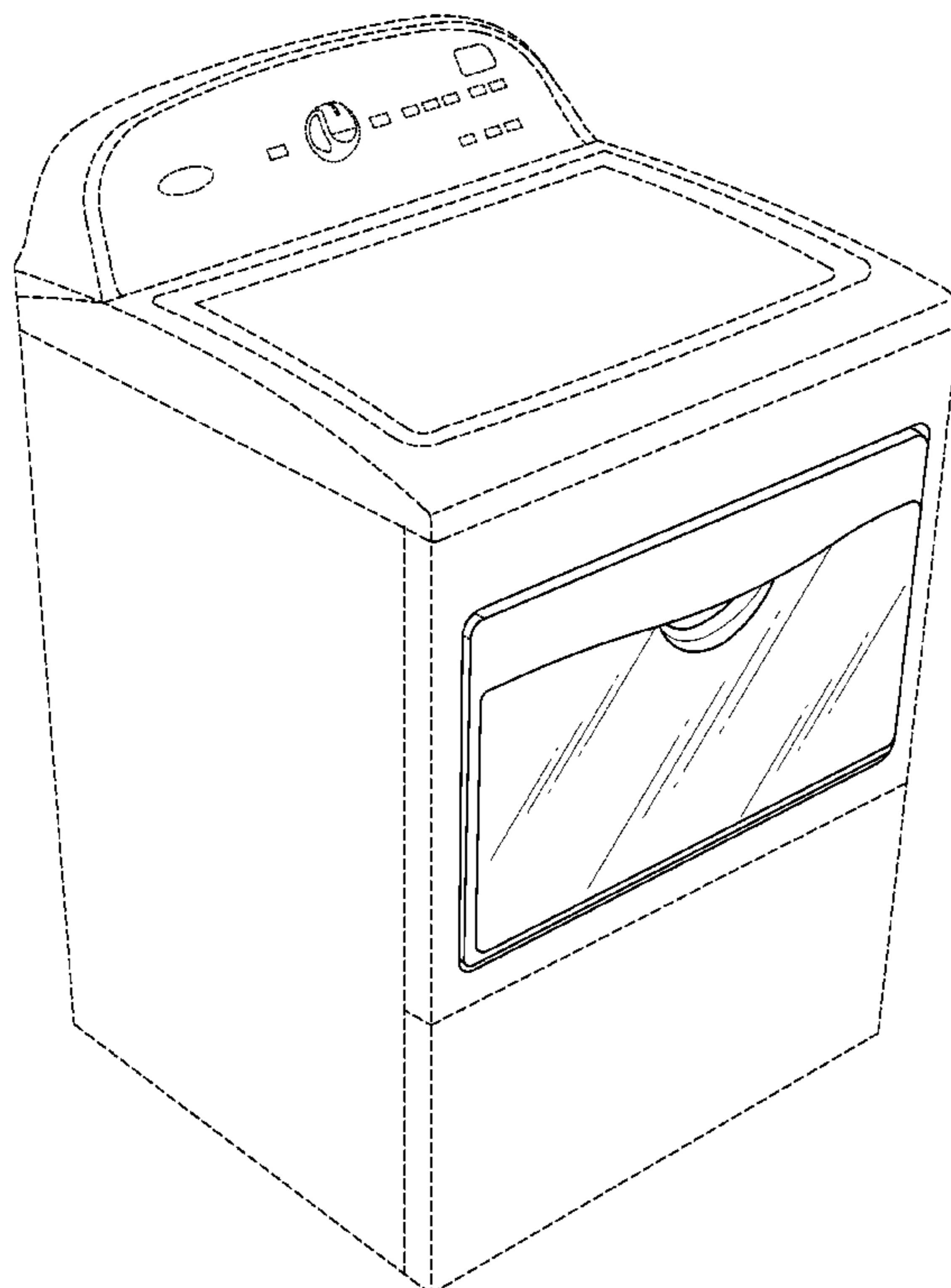
FIG. 7 is a front elevation view of the dryer door of FIG. 6;

FIG. 8 is a bottom plan view of the dryer door of FIG. 6; and,

FIG. 9 is a first side elevation view of the dryer door of FIG.
6, with the second side elevation view being a mirror image of
FIG. 9.

The top plan view of the dryer door of FIG. 6 is identical to the
view shown in FIG. 3. The rear elevation view of each
embodiment is not shown and forms no part of the claimed
design. The broken lines and areas within the broken lines
depict portions of the dryer door and other environmental
structure that forms no part of claimed design.

1 Claim, 8 Drawing Sheets



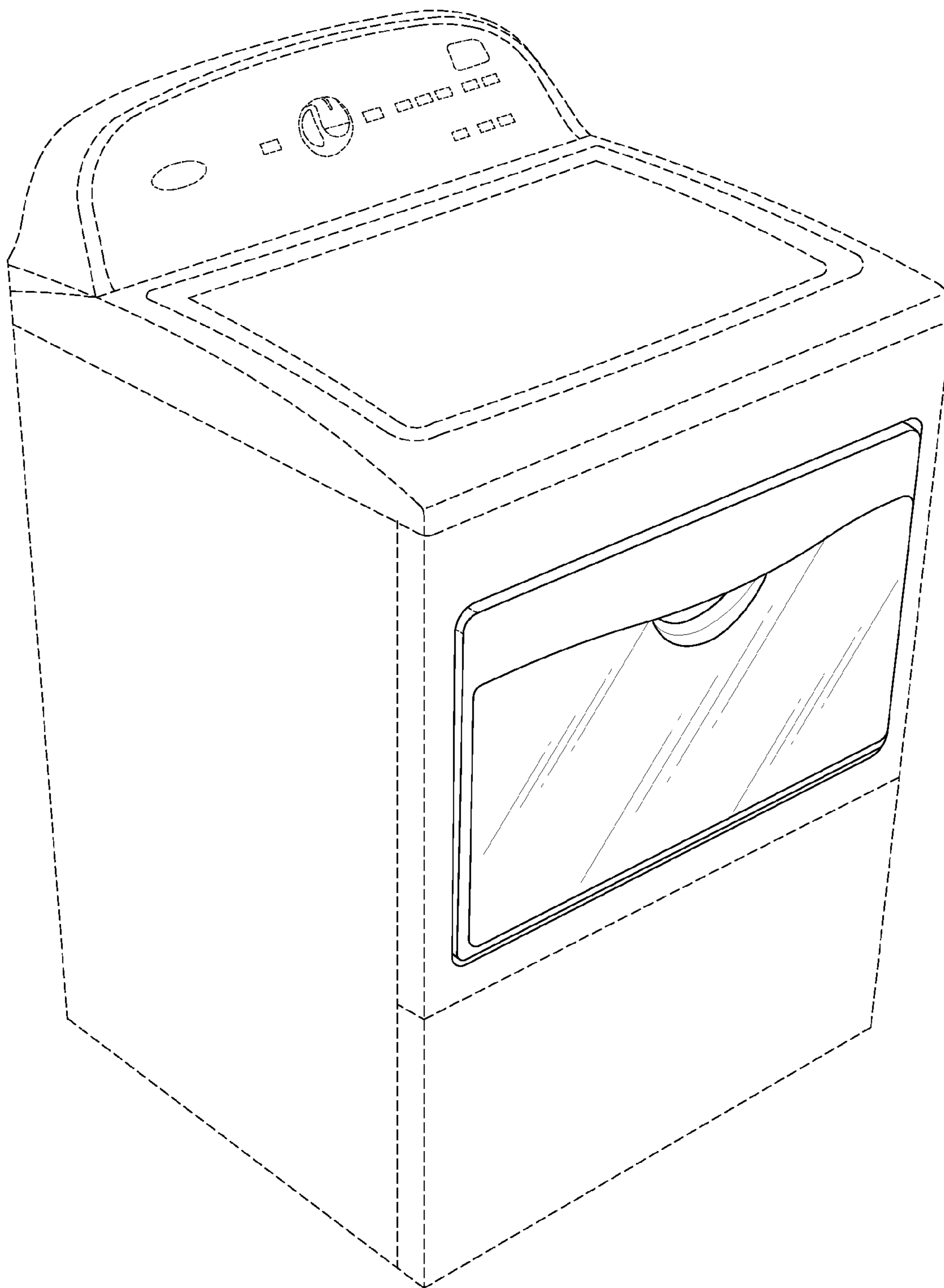


Fig. 1

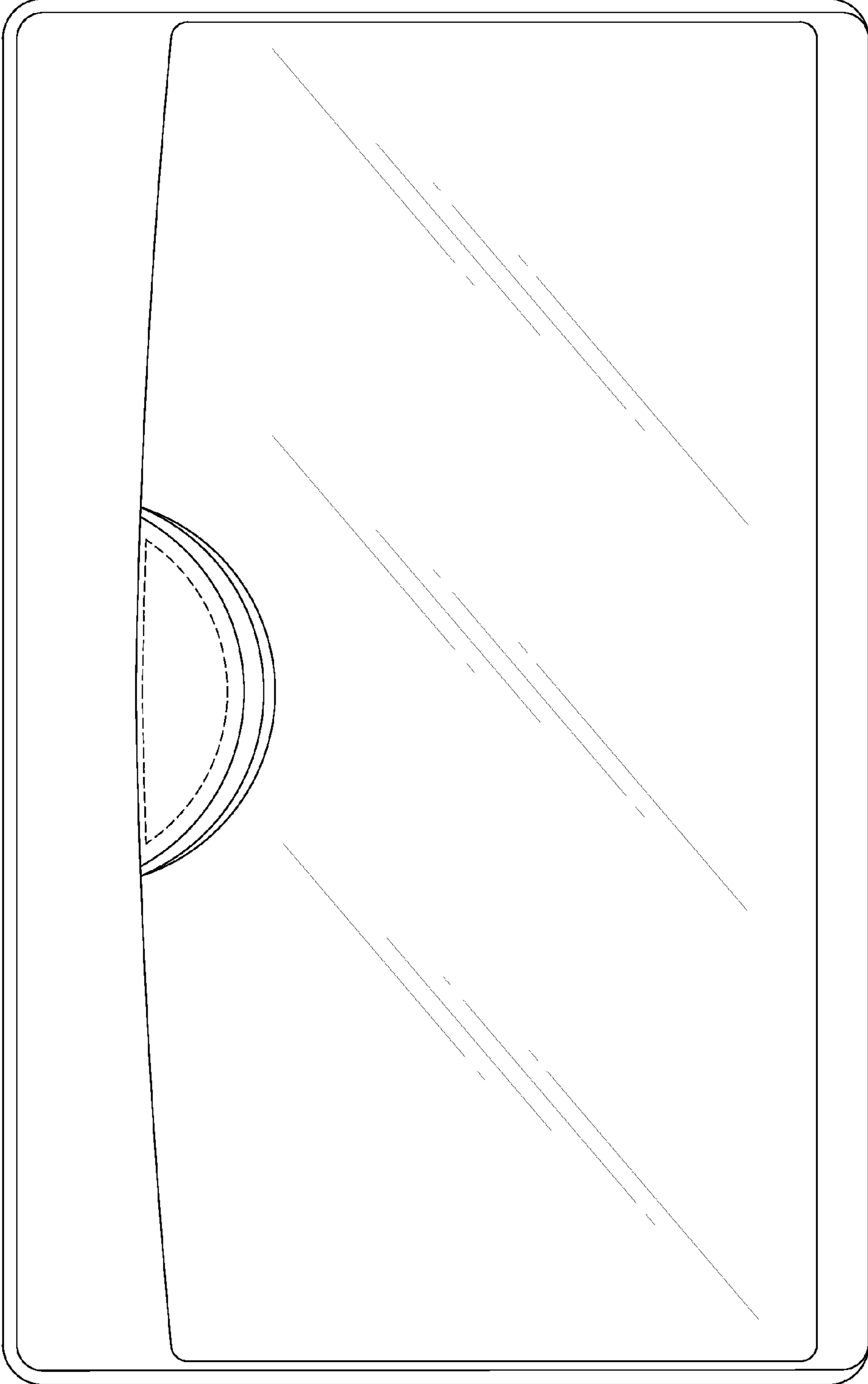


Fig. 2

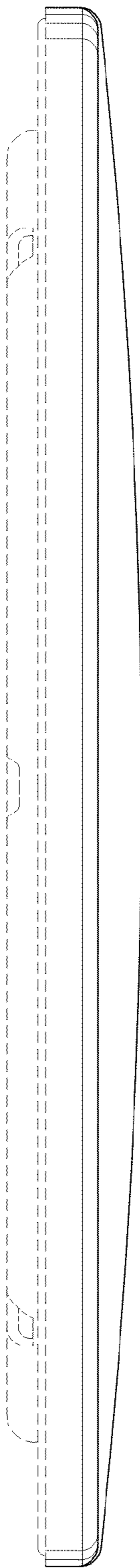


Fig. 3

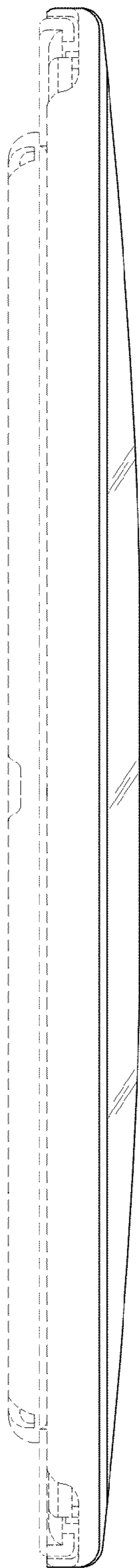


Fig. 4

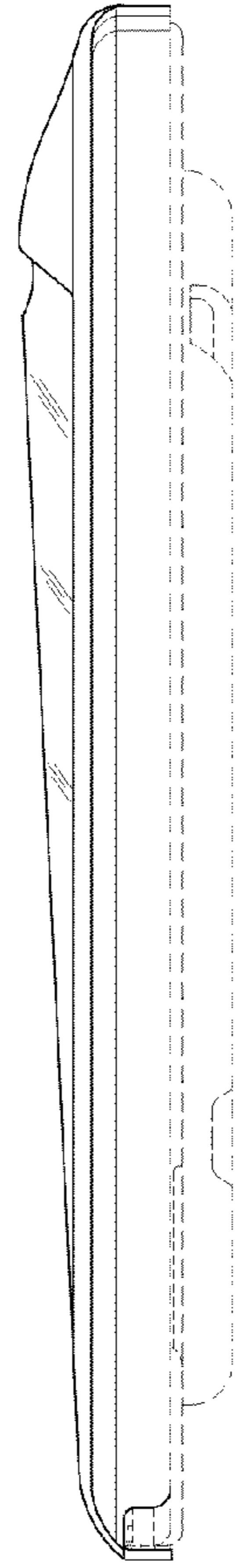


Fig. 5

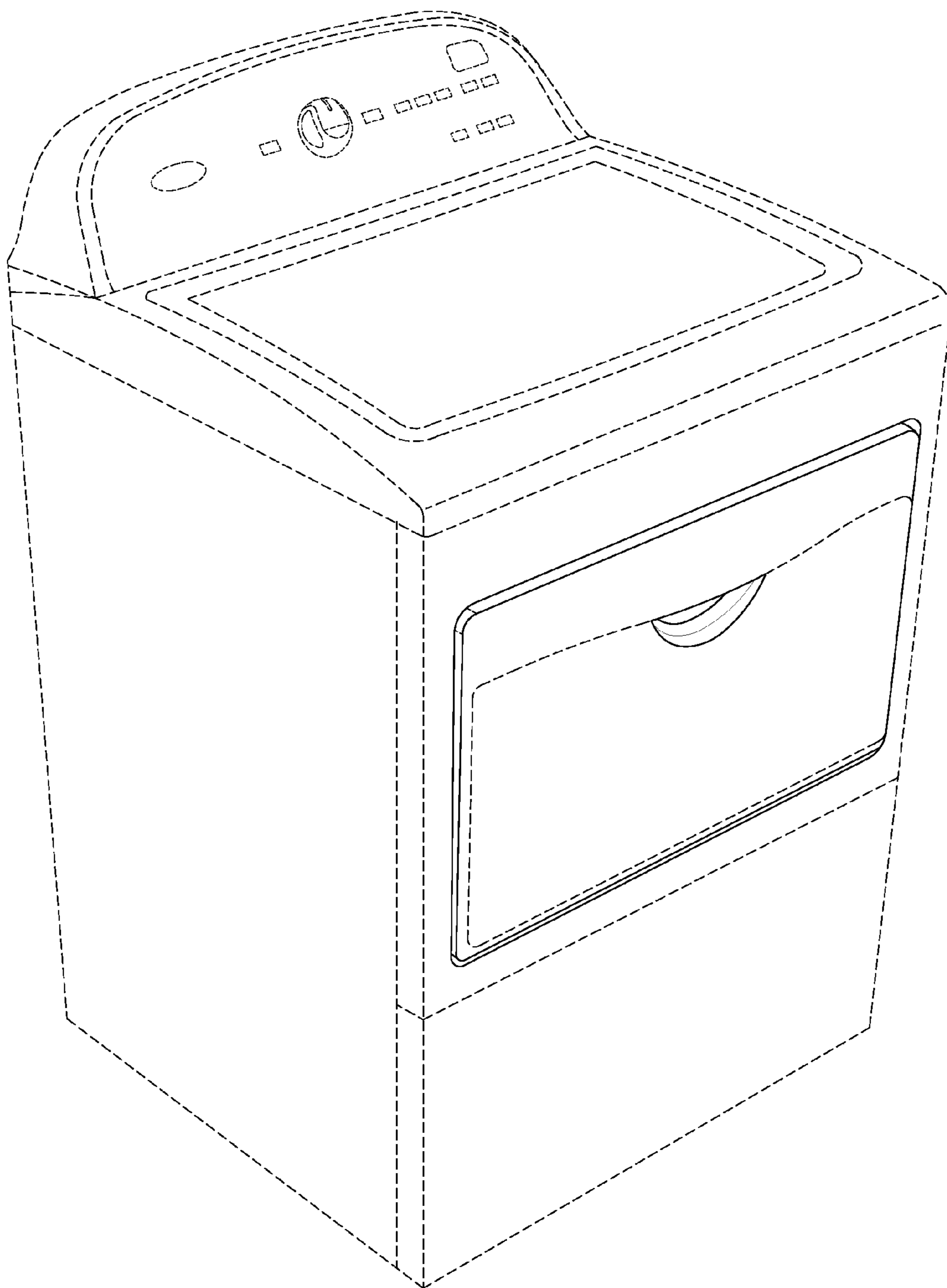


Fig. 6

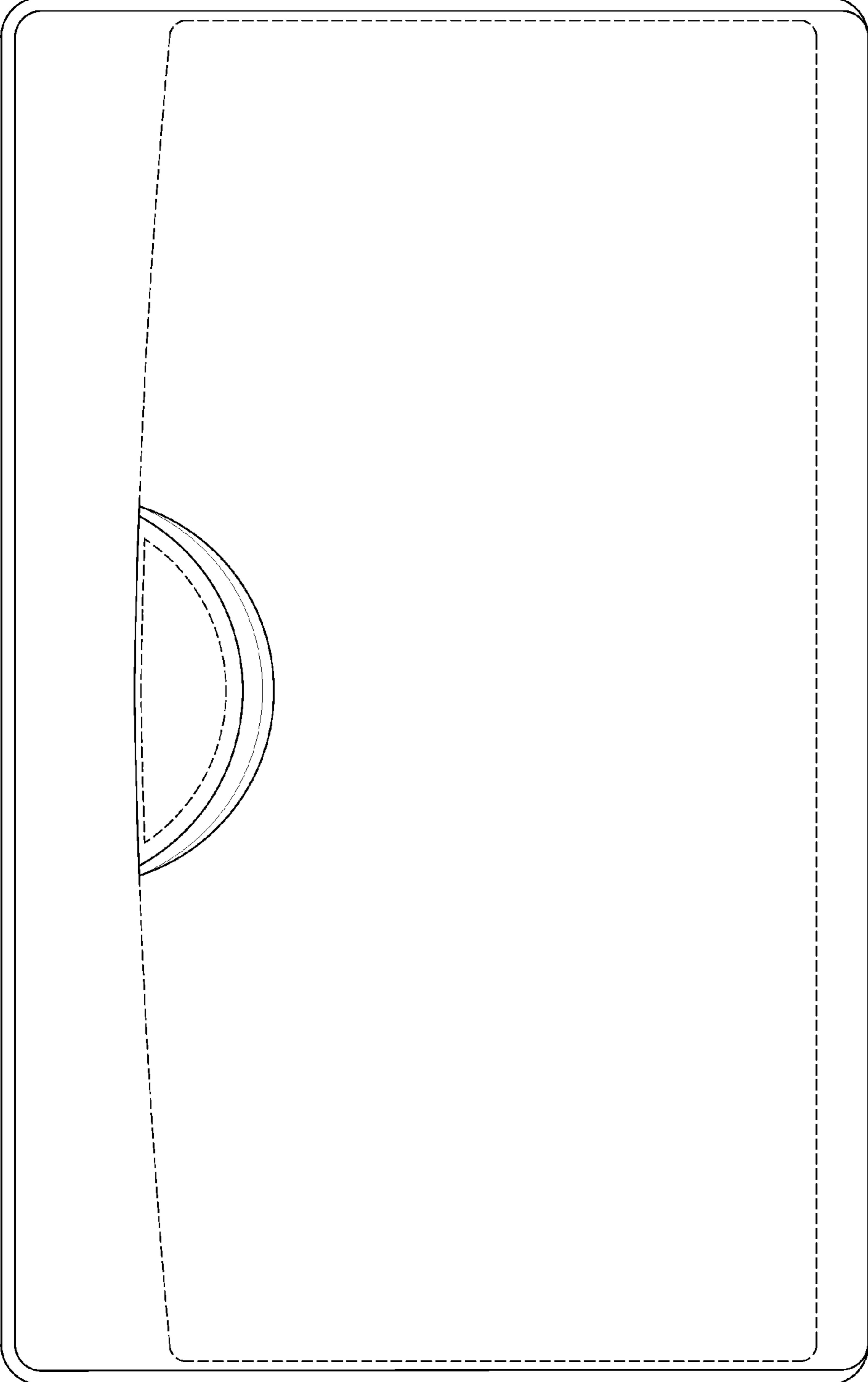


Fig. 7

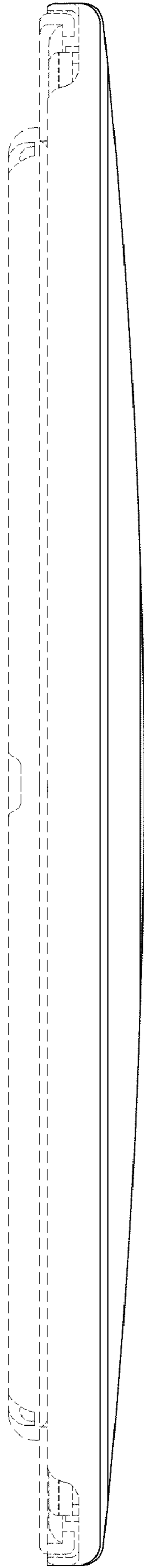


Fig. 8

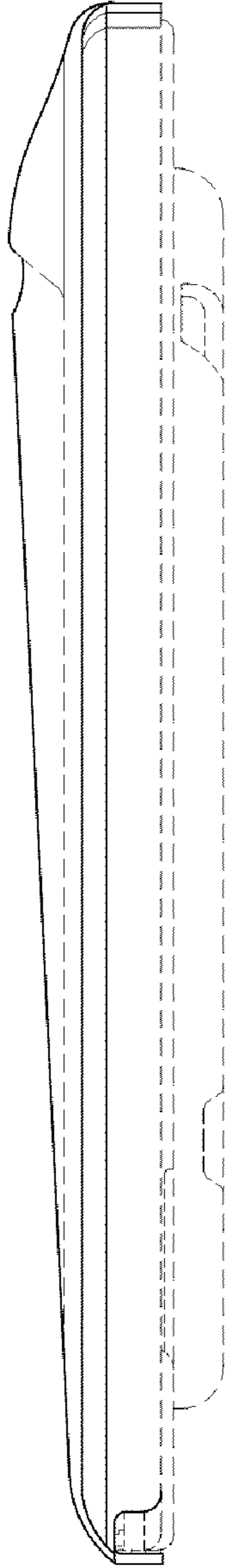


Fig. 9