



US00D651776S

(12) **United States Design Patent**
Cheng

(10) **Patent No.:** **US D651,776 S**

(45) **Date of Patent:** **** Jan. 3, 2012**

(54) **DUST COLLECTOR**

(75) Inventor: **Yuan-Tai Cheng**, Taichung (TW)

(73) Assignee: **Sanford Machinery Co., Ltd.**, Taichung (TW)

(**) Term: **14 Years**

(21) Appl. No.: **29/393,498**

(22) Filed: **Jun. 6, 2011**

(51) **LOC (9) Cl.** **15-05**

(52) **U.S. Cl.** **D32/21**

(58) **Field of Classification Search** D32/1,
D32/21, 31; 55/521, 428, 498, 337, 315,
55/345, 429, 269, 273, 482, 378, 356, 372,
55/DIG. 3; 15/347

See application file for complete search history.

(56) **References Cited**

U.S. PATENT DOCUMENTS

D527,852 S *	9/2006	Tsai	D32/1
D533,694 S *	12/2006	Cheng	D32/21
7,201,785 B2 *	4/2007	Lin	55/356
D549,892 S *	8/2007	Lin	D32/1
D629,576 S *	12/2010	Cheng	D32/21

D630,391 S *	1/2011	Cheng	D32/21
D630,392 S *	1/2011	Lin	D32/21
D634,082 S *	3/2011	Lin	D32/1
D634,085 S *	3/2011	Lin	D32/31
2006/0016162 A1 *	1/2006	Lin	55/428
2011/0203237 A1 *	8/2011	Witter et al.	55/337
2011/0203238 A1 *	8/2011	Witter et al.	55/356

* cited by examiner

Primary Examiner — Ruth McInroy

(74) *Attorney, Agent, or Firm* — Pai Patent & Trademark Law Firm; Chao-Chang David Pai

(57) **CLAIM**

The ornamental design for a dust collector, as shown and described.

DESCRIPTION

FIG. 1 is a front perspective view of a dust collector showing my new design;

FIG. 2 is a front elevational view thereof;

FIG. 3 is a rear elevational view thereof;

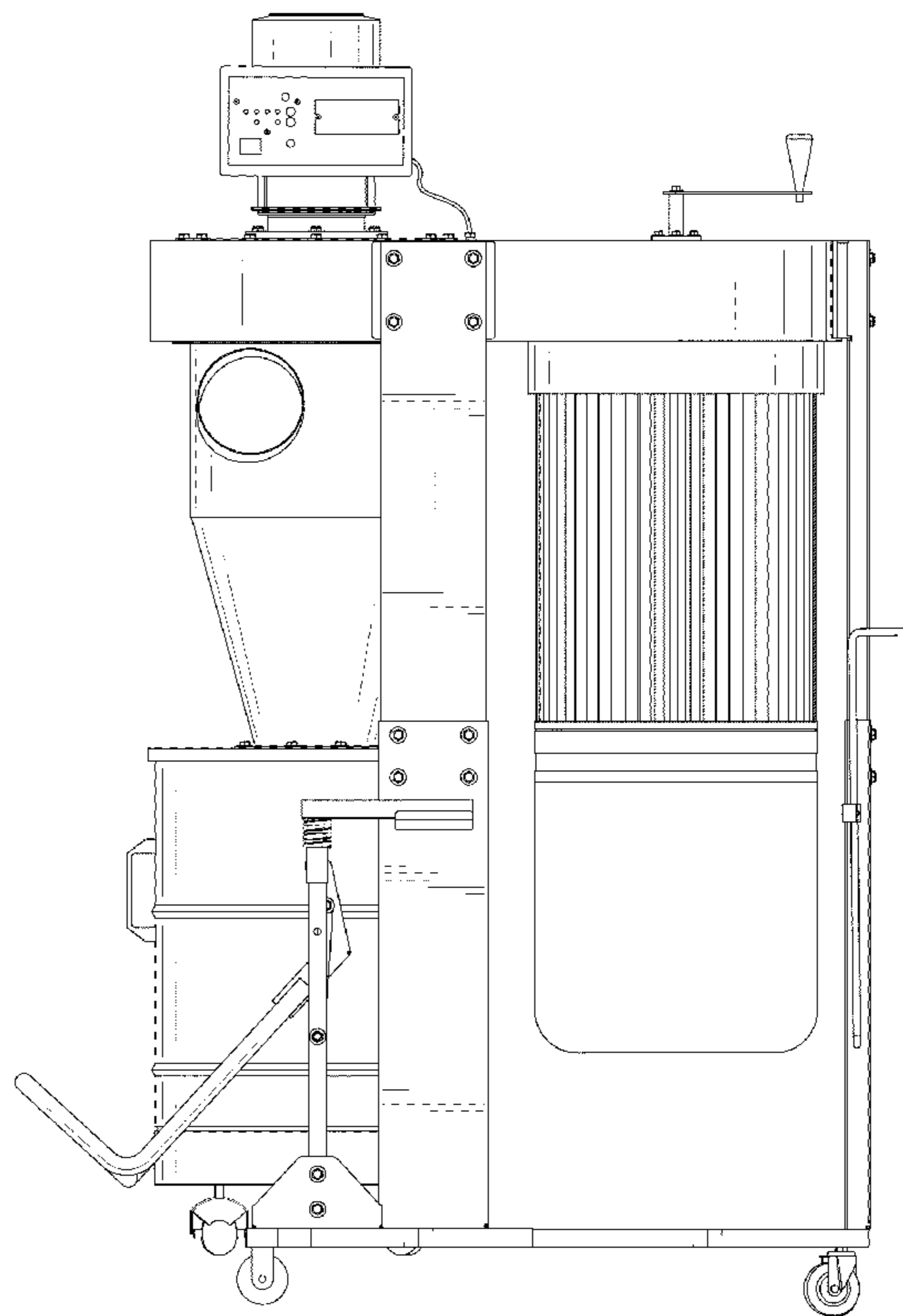
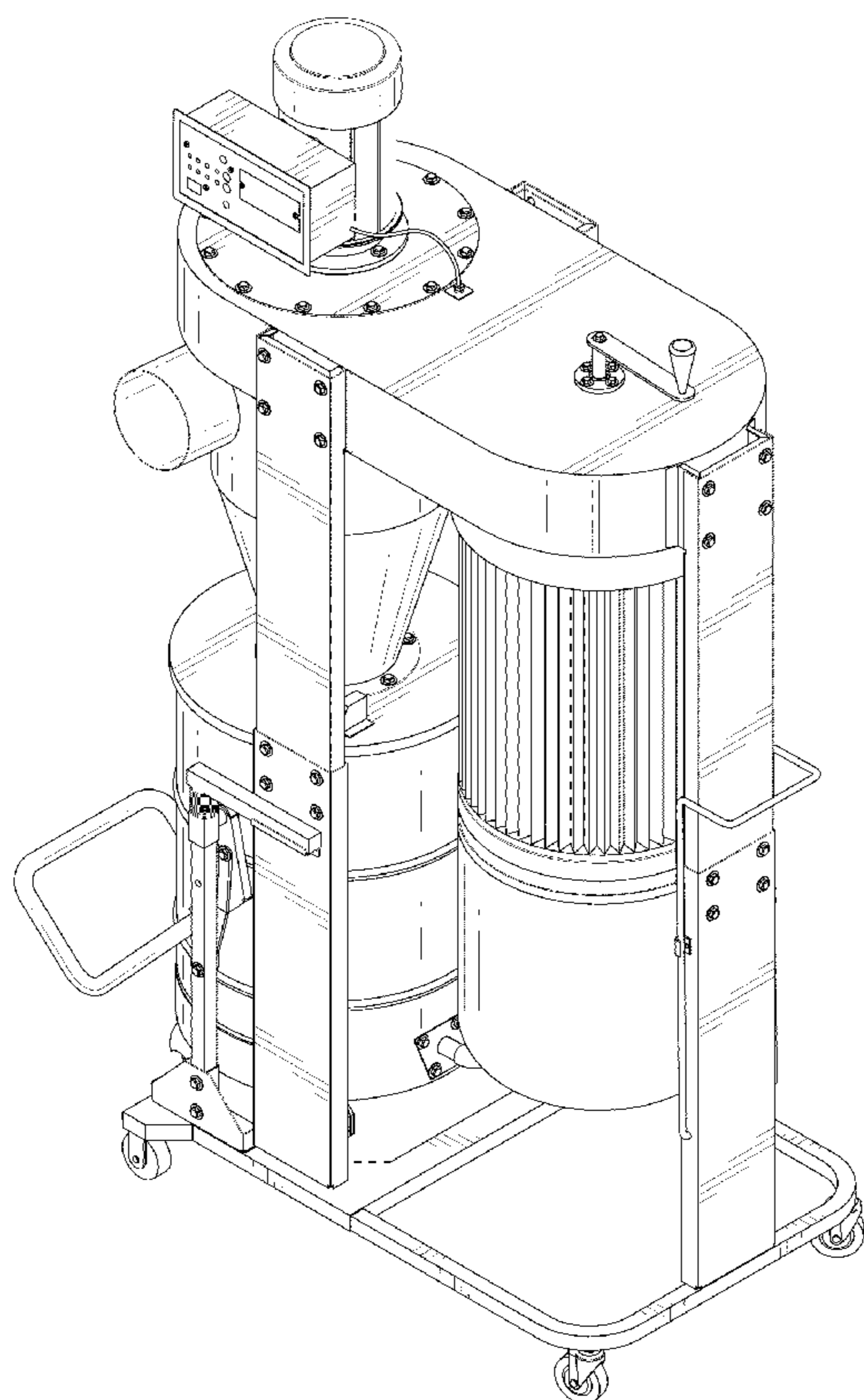
FIG. 4 is a left side elevational view thereof;

FIG. 5 is a right side elevational view thereof;

FIG. 6 is a top plan view thereof; and,

FIG. 7 is a bottom plan view thereof.

1 Claim, 6 Drawing Sheets



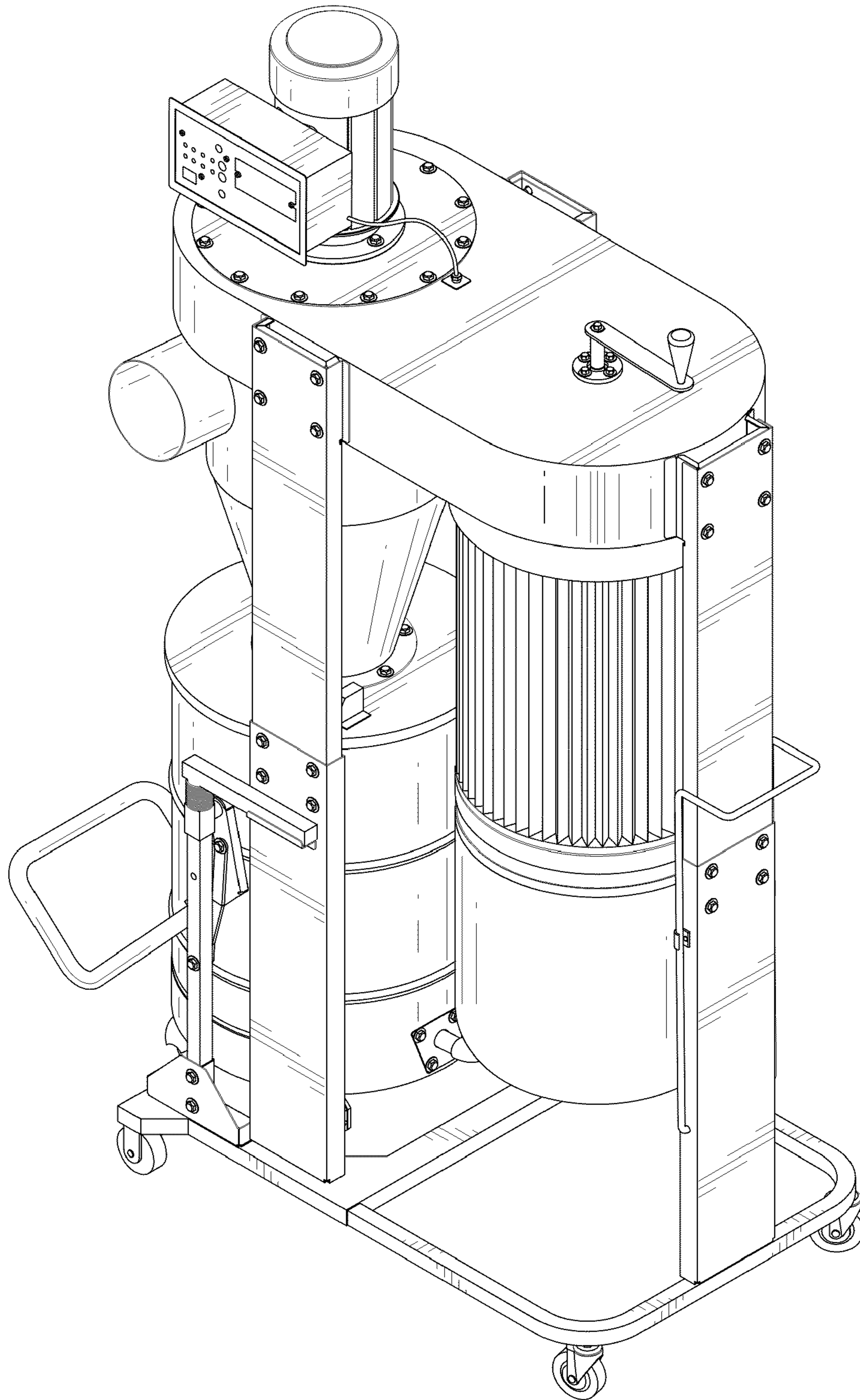


FIG. 1

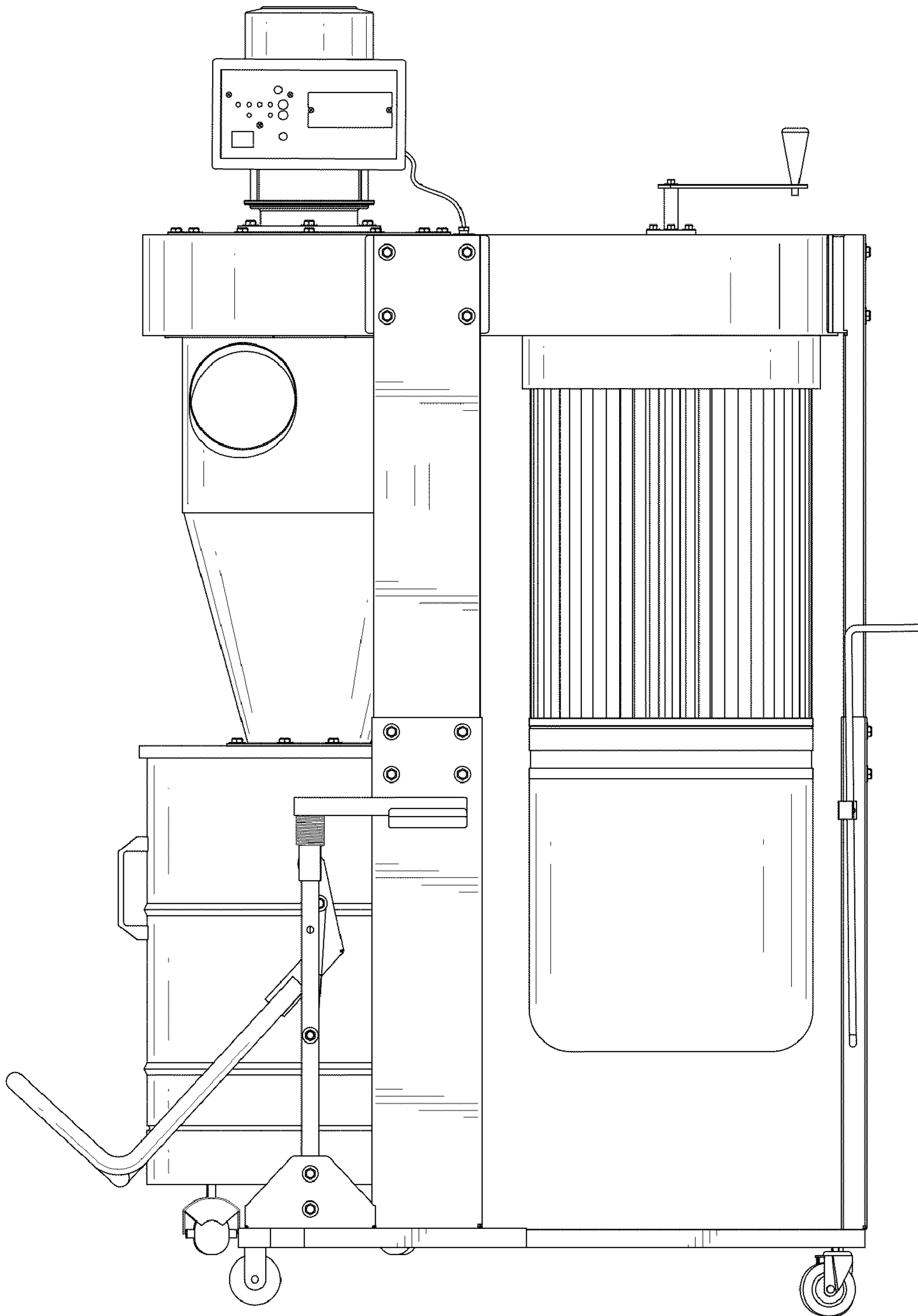


FIG. 2

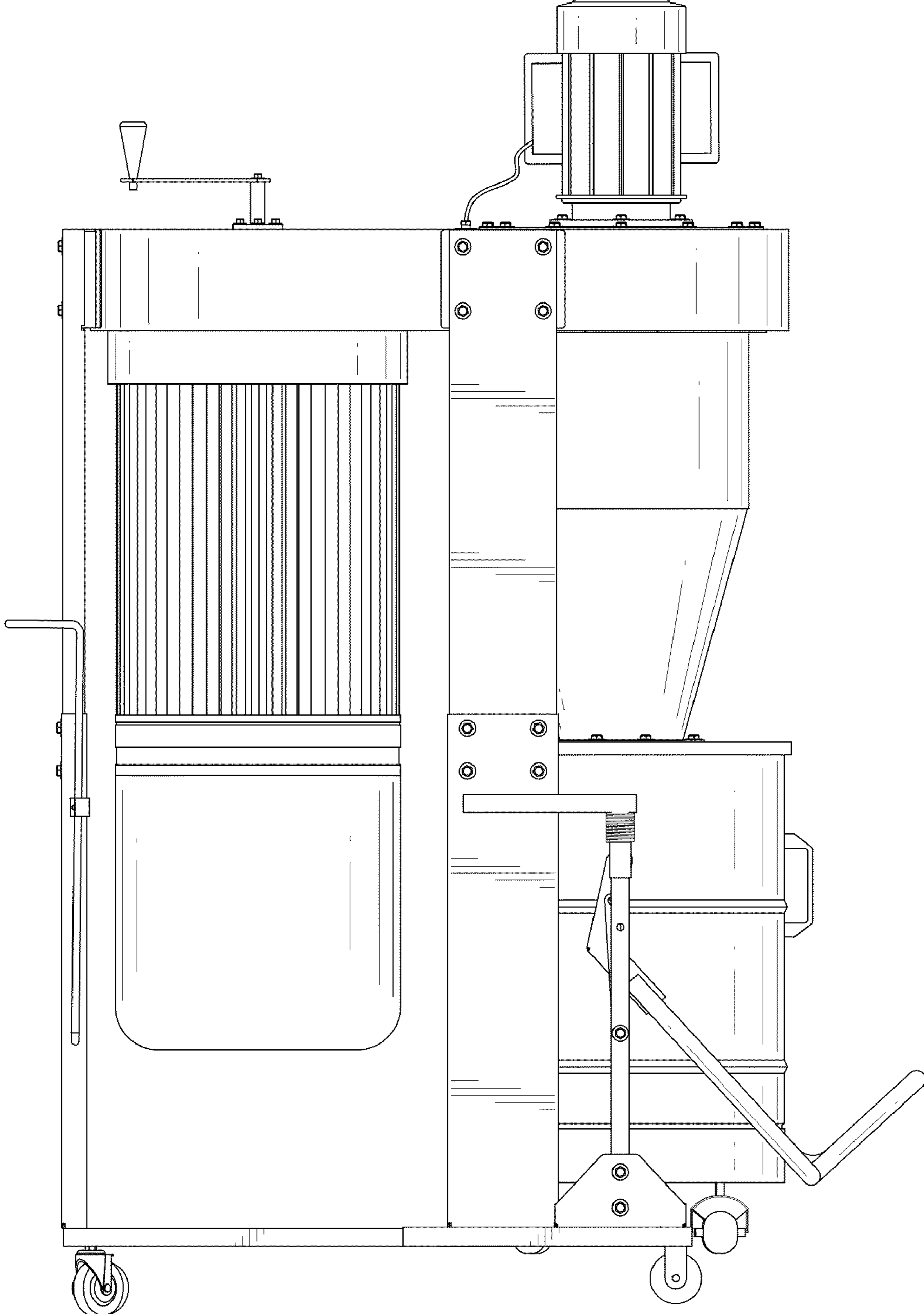


FIG. 3

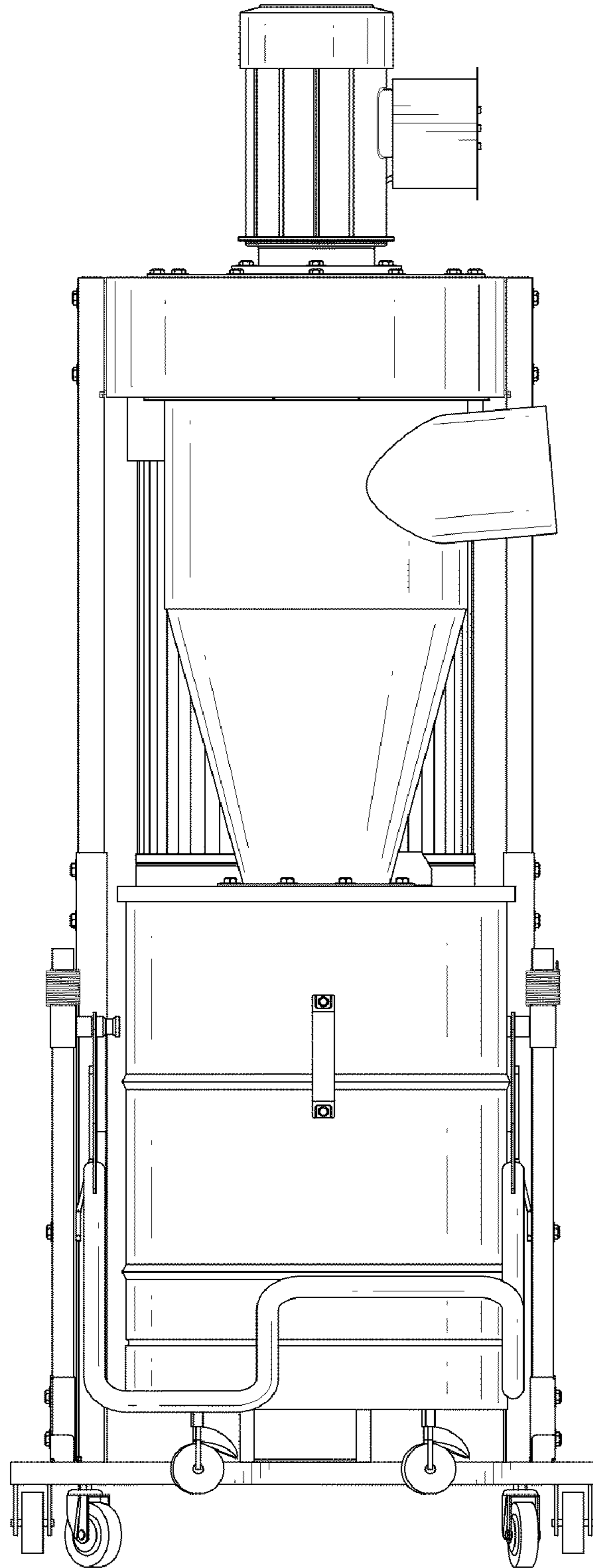


FIG. 4

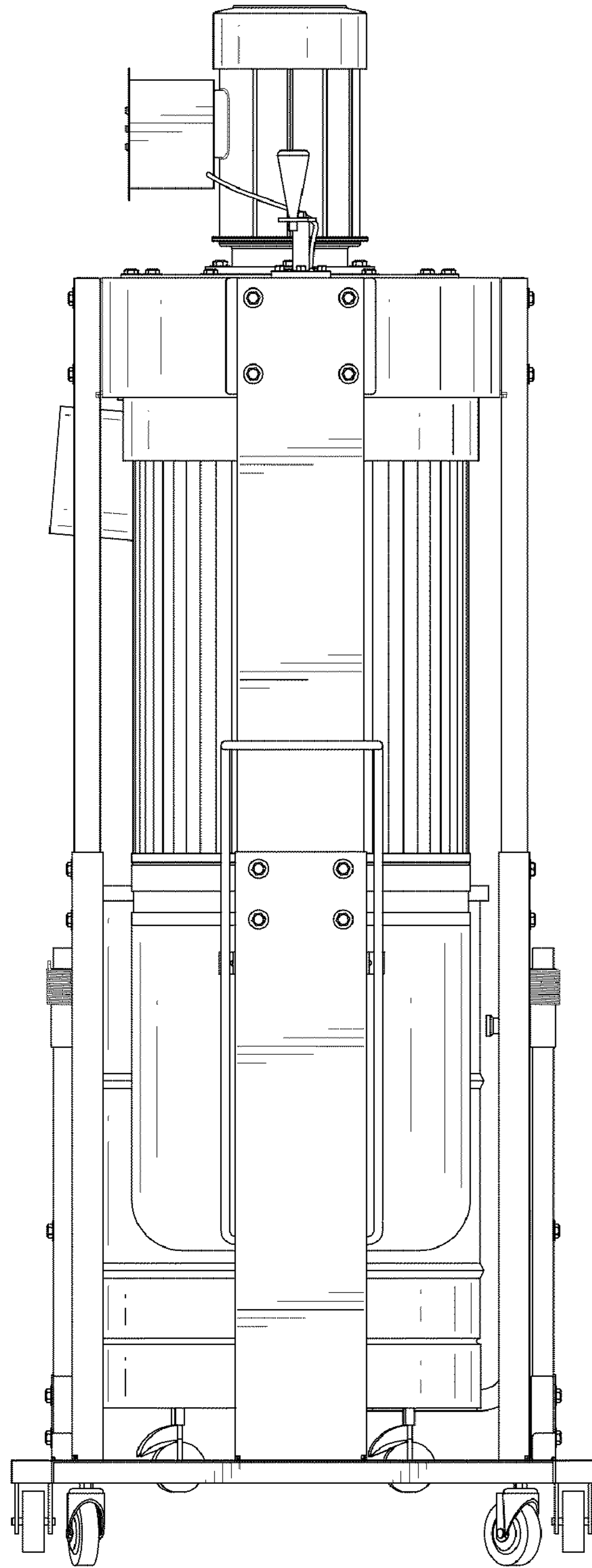


FIG. 5

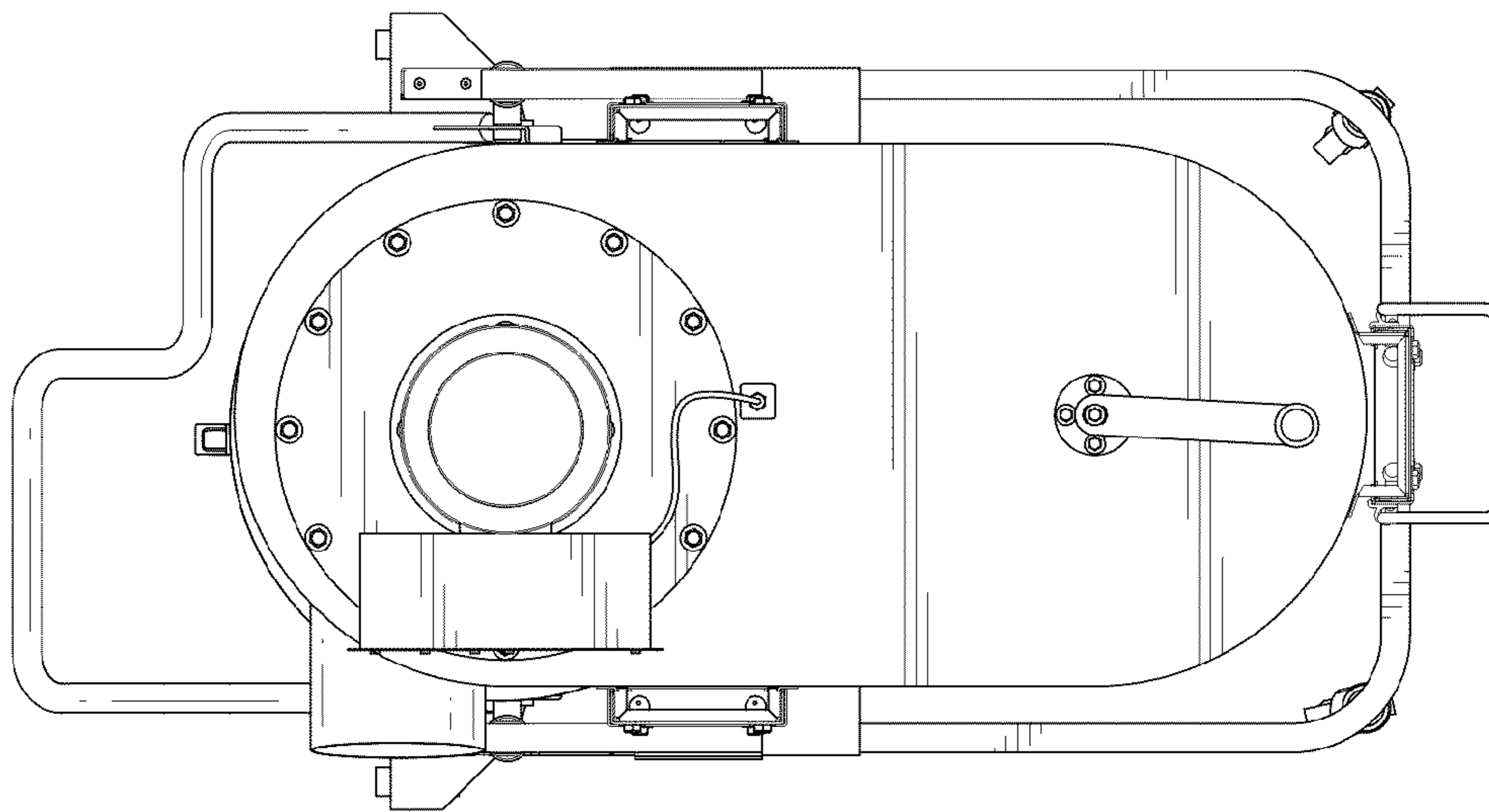


FIG. 6

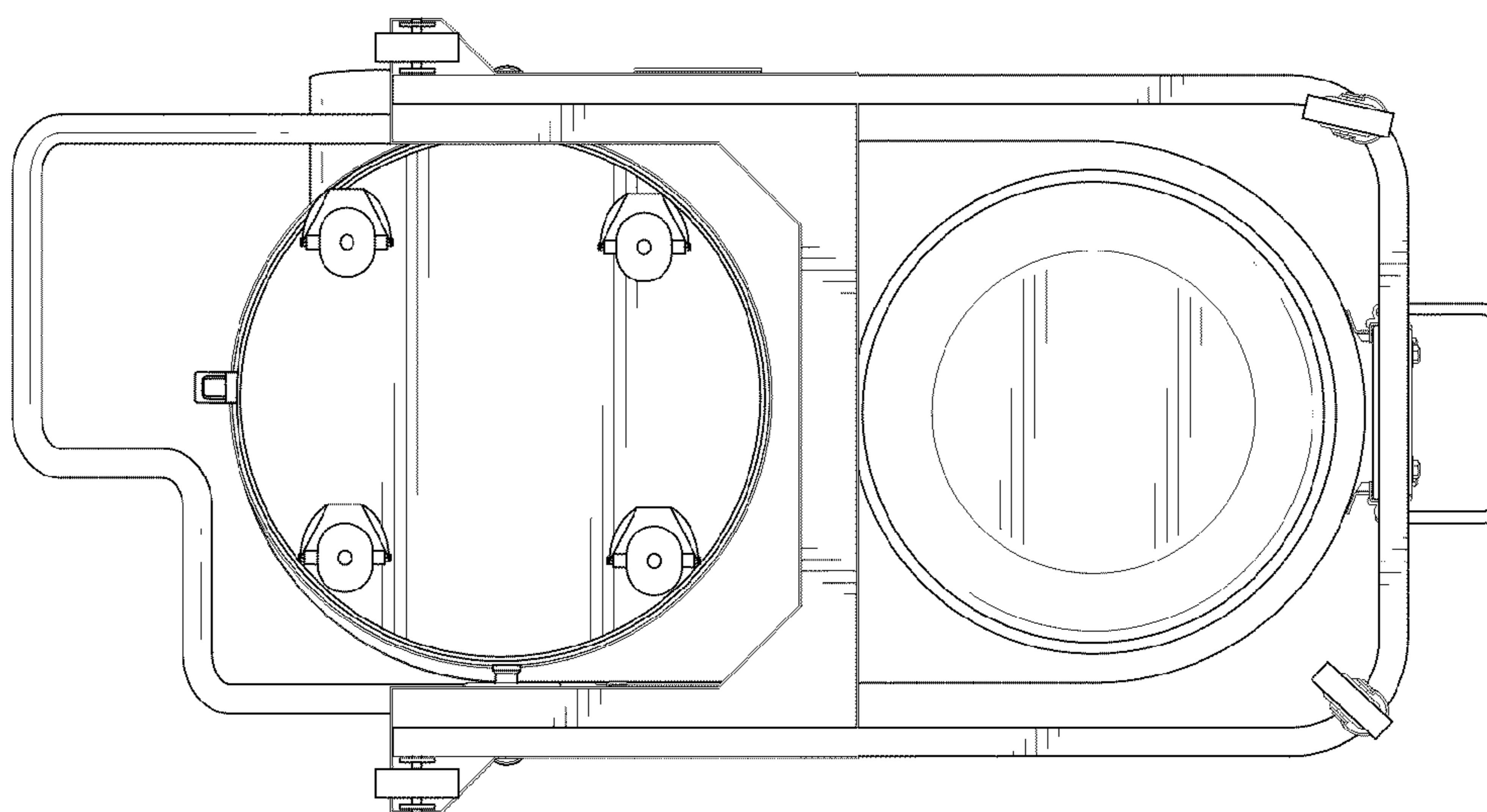


FIG. 7