



US00D651775S

(12) **United States Design Patent**  
**Cheng**

(10) **Patent No.:** **US D651,775 S**

(45) **Date of Patent:** **\*\* Jan. 3, 2012**

(54) **DUST COLLECTOR**

(75) **Inventor:** **Yuan-Tai Cheng, Taichung (TW)**

(73) **Assignee:** **San Ford Machinery Co., Ltd., Taichung (TW)**

(\*\*) **Term:** **14 Years**

(21) **Appl. No.:** **29/380,043**

(22) **Filed:** **Nov. 30, 2010**

(51) **LOC (9) Cl.** ..... **15-05**

(52) **U.S. Cl.** ..... **D32/21**

(58) **Field of Classification Search** ..... D32/1,  
D32/21, 31; 55/521, 428, 498, 337, 315,  
55/345, 429, 269, 273, 482, 378, 356, 372,  
55/DIG. 3; 15/347

See application file for complete search history.

(56) **References Cited**

**U.S. PATENT DOCUMENTS**

D527,852 S *	9/2006	Tsai	.....	D32/1
D533,694 S *	12/2006	Cheng	.....	D32/21
7,201,785 B2 *	4/2007	Lin	.....	55/356
D549,892 S *	8/2007	Lin	.....	D32/1
D629,576 S *	12/2010	Cheng	.....	D32/21

D630,391 S *	1/2011	Cheng	.....	D32/21
D630,392 S *	1/2011	Lin	.....	D32/21
D634,082 S *	3/2011	Lin	.....	D32/1
D634,085 S *	3/2011	Lin	.....	D32/31
2006/0016162 A1 *	1/2006	Lin	.....	55/428
2011/0203237 A1 *	8/2011	Witter et al.	.....	55/337
2011/0203238 A1 *	8/2011	Witter et al.	.....	55/356

\* cited by examiner

*Primary Examiner* — Ruth McInroy

(74) *Attorney, Agent, or Firm* — Ming Chow; Sinorica, LLC

(57) **CLAIM**

I claim the ornamental design for a dust collector, as shown and described.

**DESCRIPTION**

FIG. 1 is a front perspective view of a dust collector showing my new design;

FIG. 2 is a front elevational view thereof;

FIG. 3 is a rear elevational view thereof.

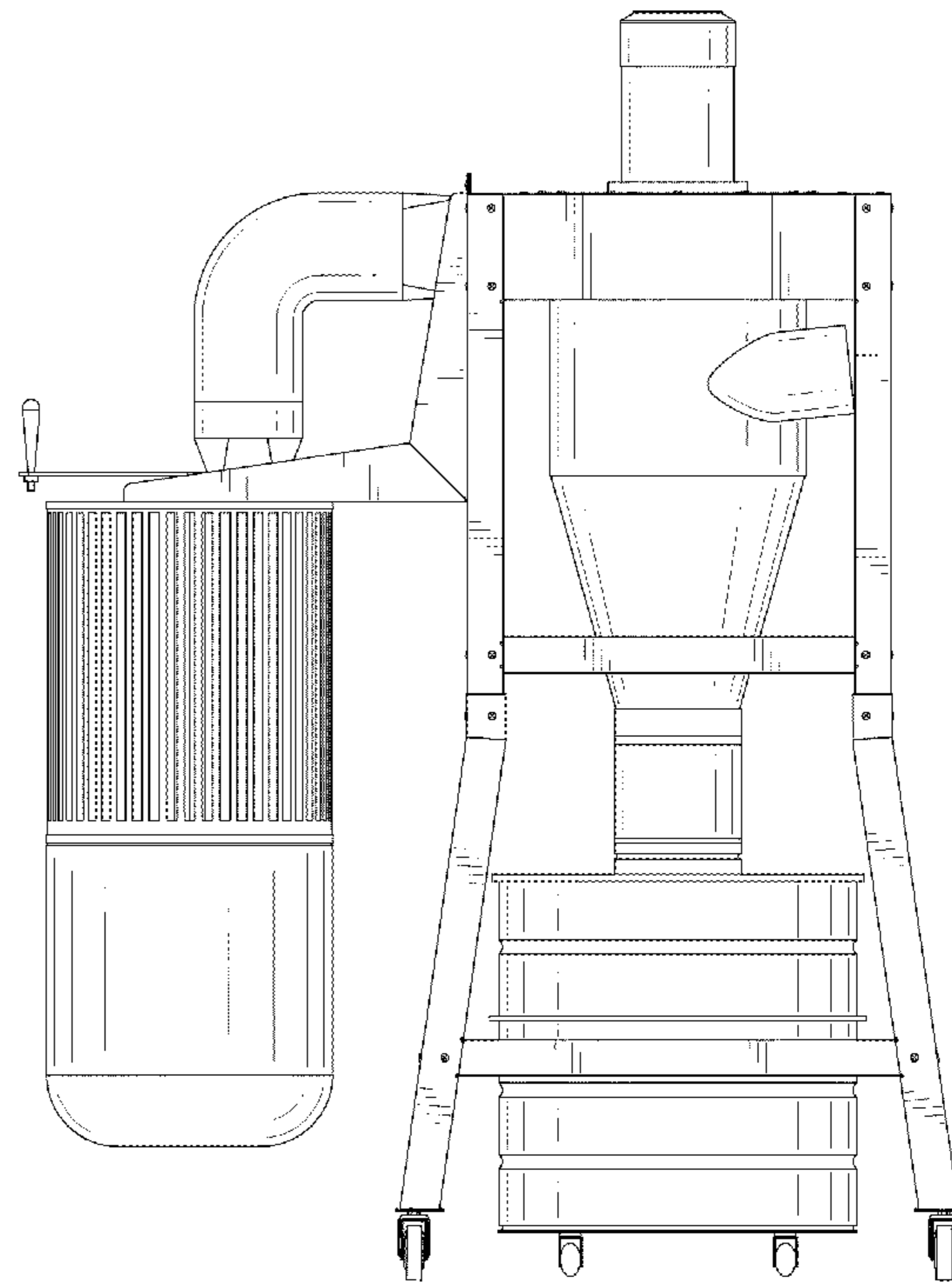
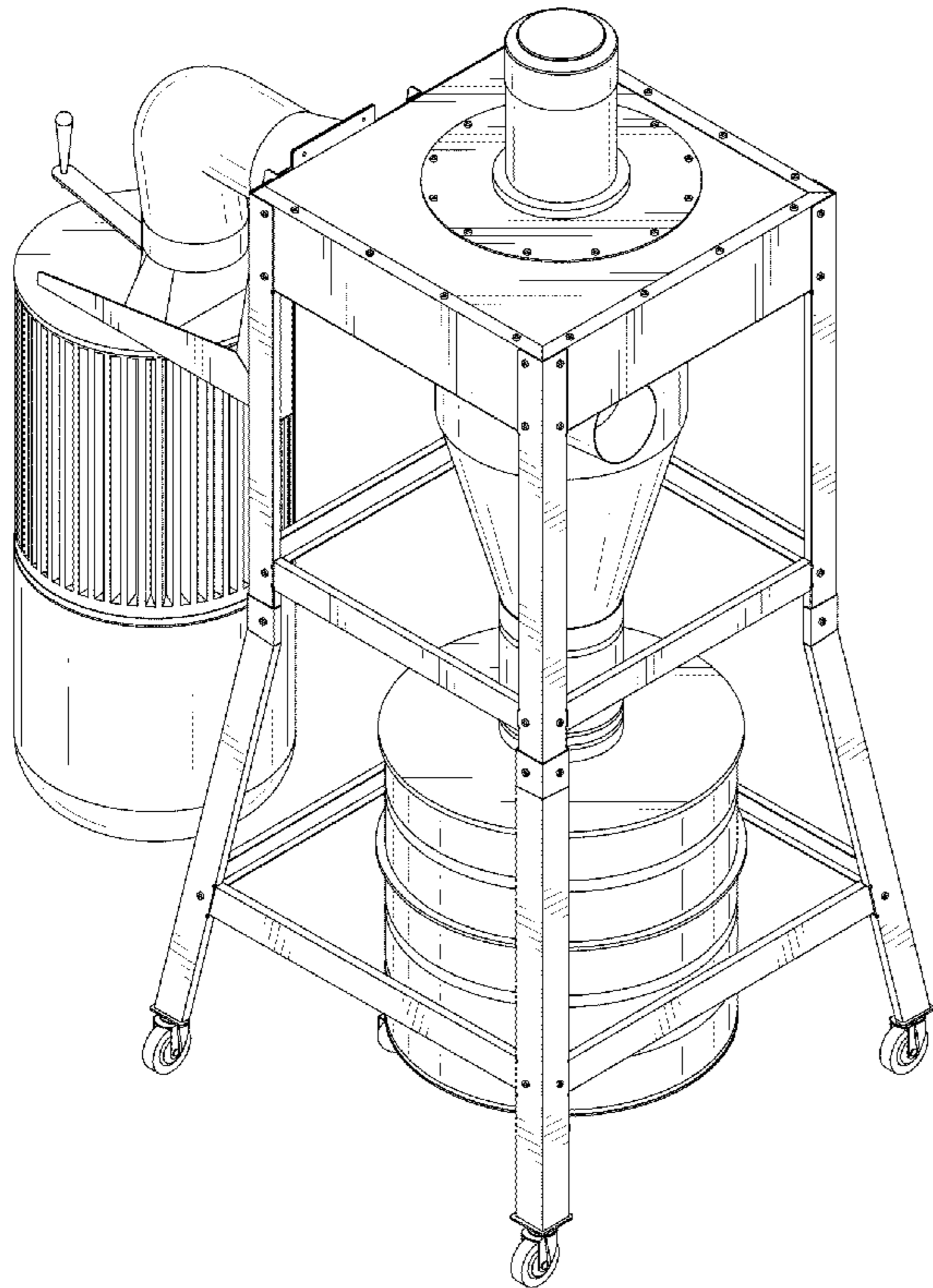
FIG. 4 is a left side elevational view thereof;

FIG. 5 is a right side elevational view thereof;

FIG. 6 is a top plan view thereof; and,

FIG. 7 is a bottom plan view thereof.

**1 Claim, 6 Drawing Sheets**



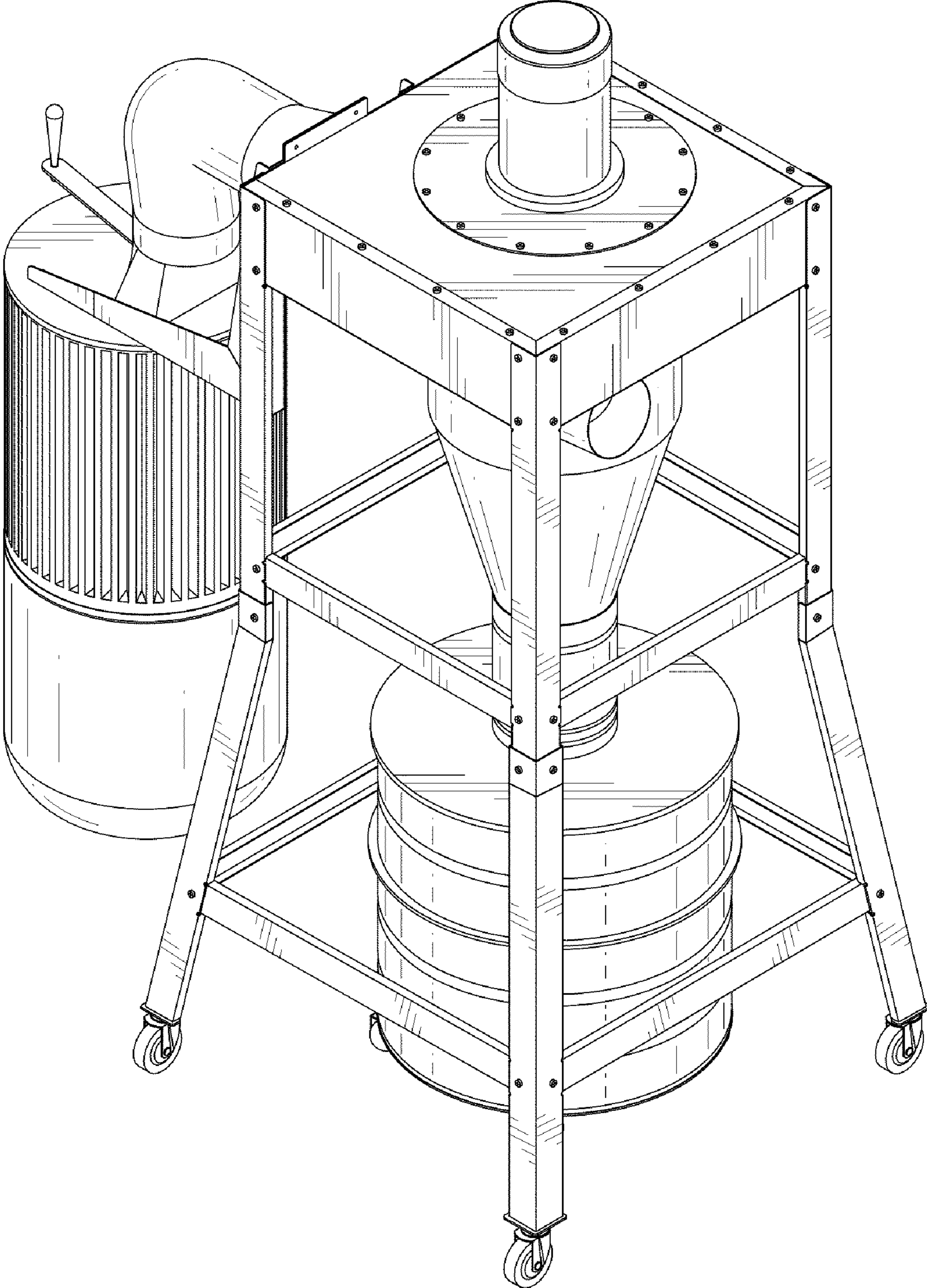


FIG. 1

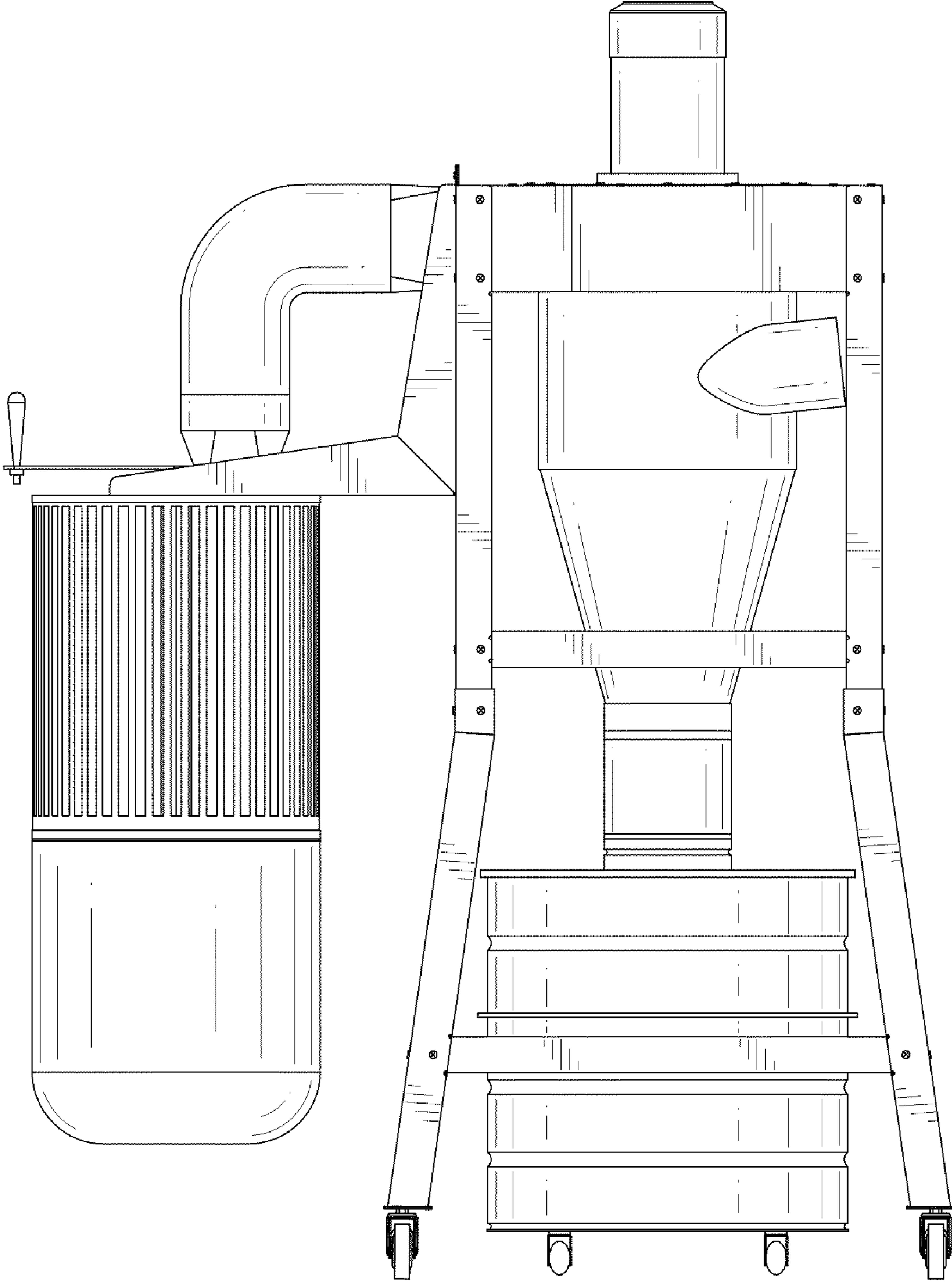


FIG. 2

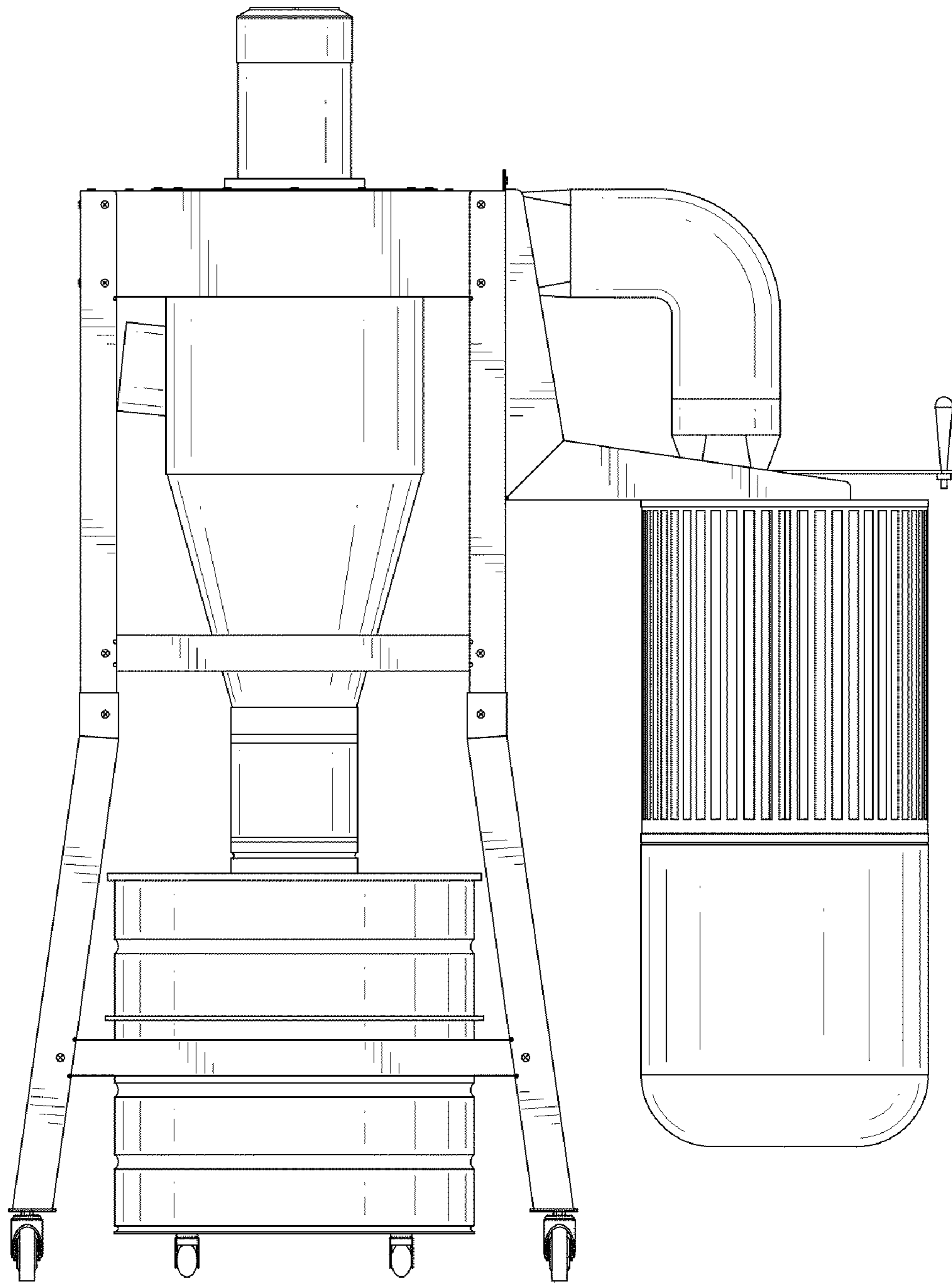


FIG. 3

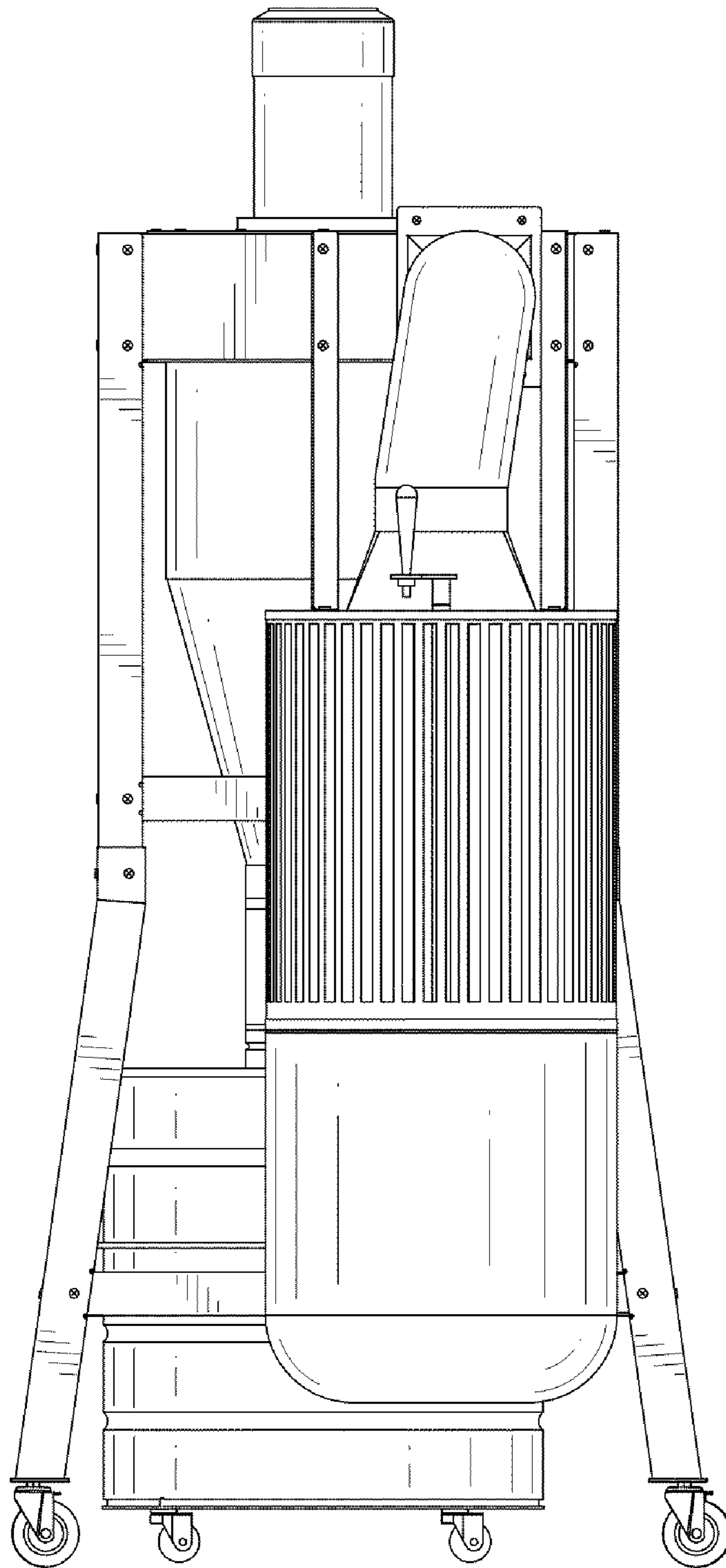


FIG. 4

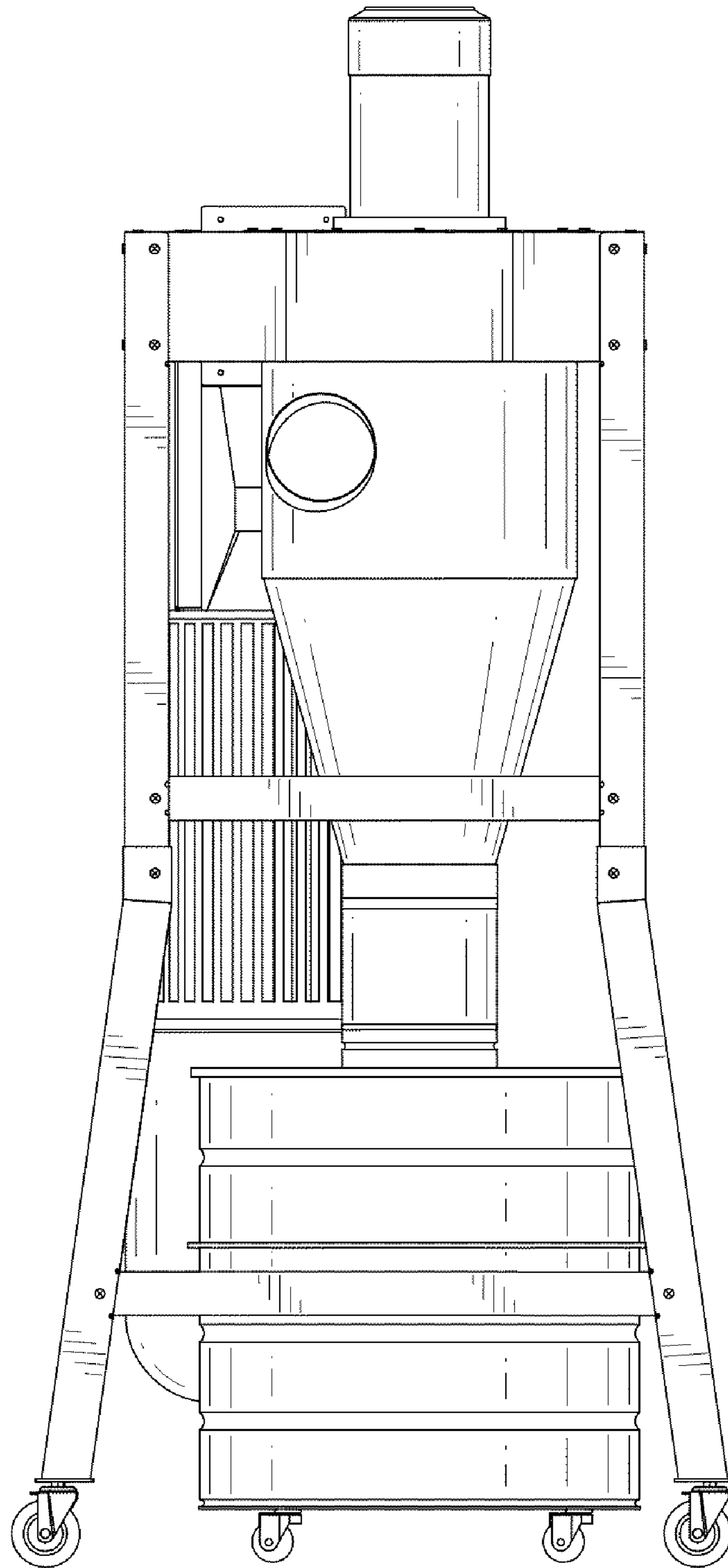


FIG. 5

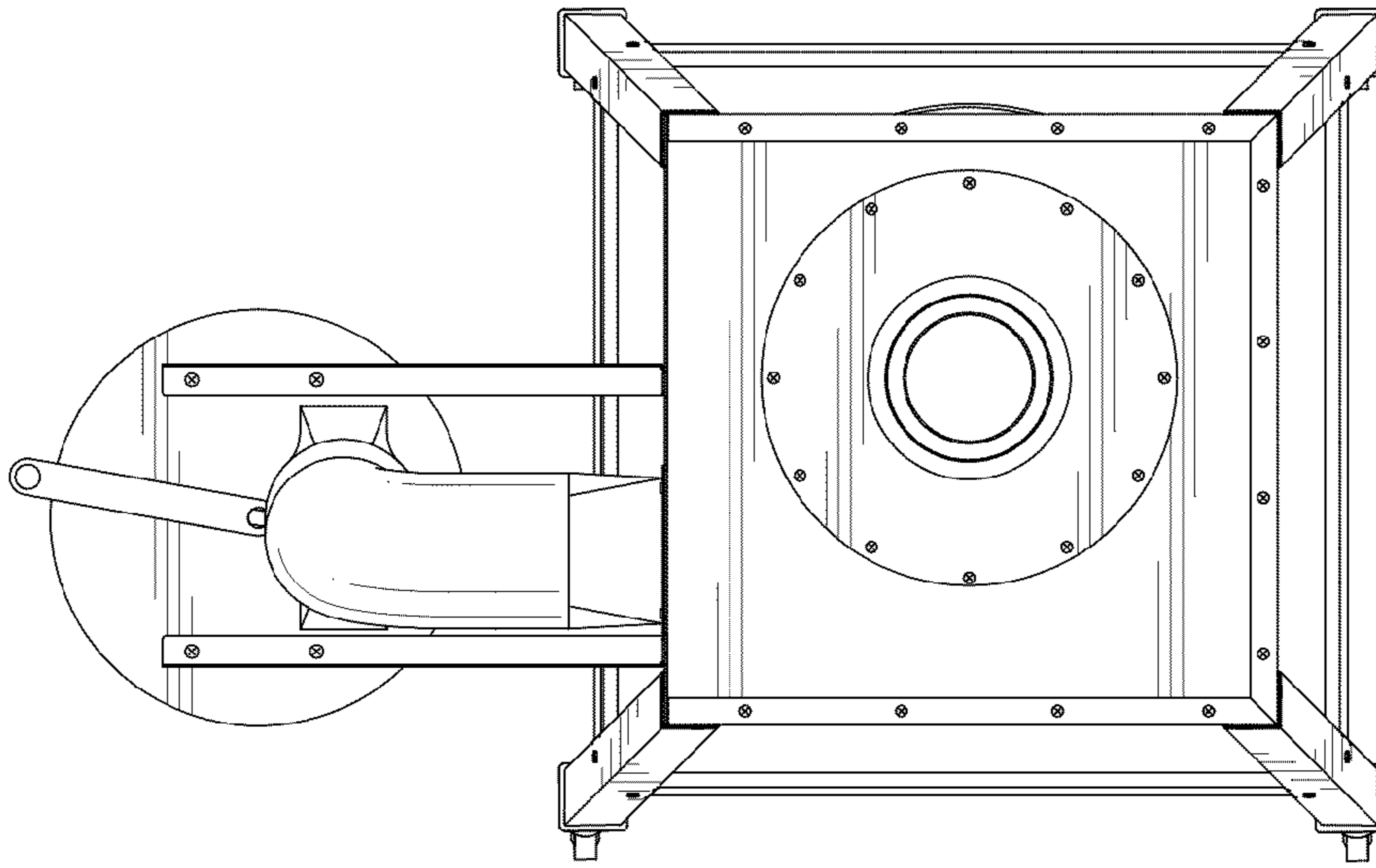


FIG. 6

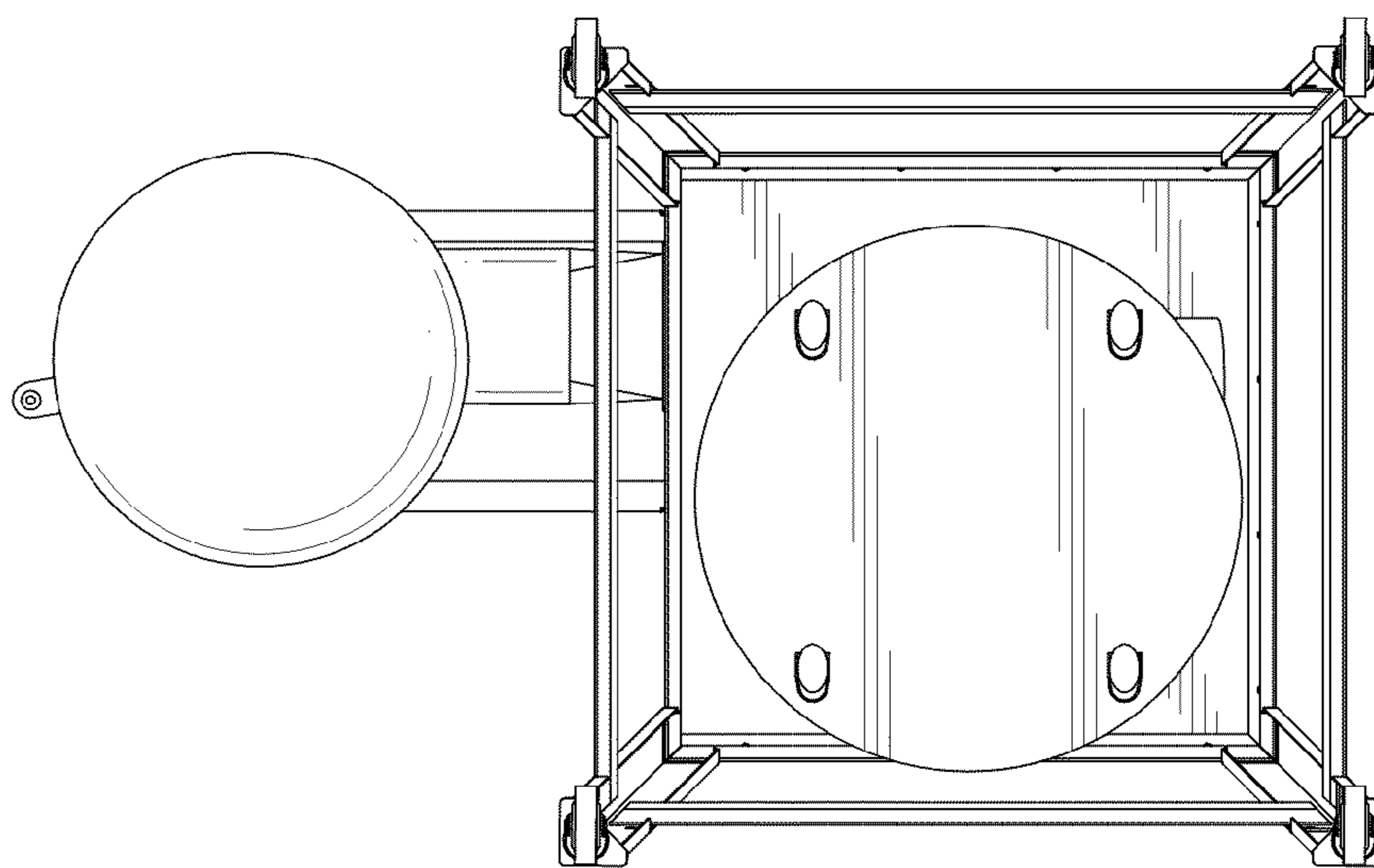


FIG. 7