



US00D651773S

(12) **United States Design Patent**
Antal et al.

(10) **Patent No.:** **US D651,773 S**
(45) **Date of Patent:** **** Jan. 3, 2012**

(54) **PIPE CLEANING APPARATUS**
(75) Inventors: **Michael Antal**, Slippery Rock, PA (US);
Brian Antal, Fombell, PA (US)
(73) Assignee: **ITC, Inc.**, Ellwood City, PA (US)
(**) Term: **14 Years**
(21) Appl. No.: **29/376,553**

4,962,607 A * 10/1990 Baldwin 42/95
4,982,764 A 1/1991 Saxon
D315,621 S * 3/1991 Laymon et al. D32/14
5,153,963 A 10/1992 Saxon et al.
5,305,488 A 4/1994 Lyle
5,528,790 A 6/1996 Curran
5,600,863 A * 2/1997 Curran 15/104.061
5,651,207 A * 7/1997 Knight 42/95
D383,263 S * 9/1997 Smith D32/25
D391,705 S * 3/1998 Good D32/35
D393,115 S * 3/1998 Bell et al. D32/35
5,784,745 A 7/1998 Saxon et al.

(Continued)

(22) Filed: **Oct. 8, 2010**
(51) **LOC (9) Cl.** **15-05**
(52) **U.S. Cl.** **D32/14**
(58) **Field of Classification Search** D32/14,
D32/25, 35; 42/95; 15/104.05, 104.31, 104.061,
15/104.16

See application file for complete search history.

(56) **References Cited**

U.S. PATENT DOCUMENTS

51,362 A 12/1865 Spiegle
172,996 A * 2/1876 Gregg 15/104.16
614,191 A * 11/1898 Weills 15/104.165
1,532,222 A * 4/1925 Belding 15/104.16
2,026,680 A * 1/1936 Jacobson 15/104.068
2,215,514 A 9/1940 MacGregor
2,429,581 A * 10/1947 Maitlen 15/104.05
2,734,208 A 2/1956 Griffin
2,966,688 A * 1/1961 Daubert 15/104.095
3,473,961 A 10/1969 Heeren et al.
3,939,519 A 2/1976 Muirhead
3,946,455 A 3/1976 Echols et al.
4,069,535 A 1/1978 Cato
4,113,890 A 9/1978 Long
4,178,649 A 12/1979 Kouse et al.
4,281,432 A 8/1981 Saxon
4,416,703 A 11/1983 Scott
4,595,050 A 6/1986 Baron
4,606,403 A 8/1986 Fujimoto et al.
4,716,611 A 1/1988 Barry
4,720,884 A 1/1988 Ralls
4,760,868 A 8/1988 Saxon
4,937,907 A 7/1990 Antal

OTHER PUBLICATIONS

ITC, Inc., screen shot pp. 2-3 obtained from the URL <http://www.itcleaning.com/darts.html>, dated Apr. 14, 2009.

(Continued)

Primary Examiner — T. Chase Nelson
Assistant Examiner — Kathleen M Sims
(74) *Attorney, Agent, or Firm* — The Webb Law Firm

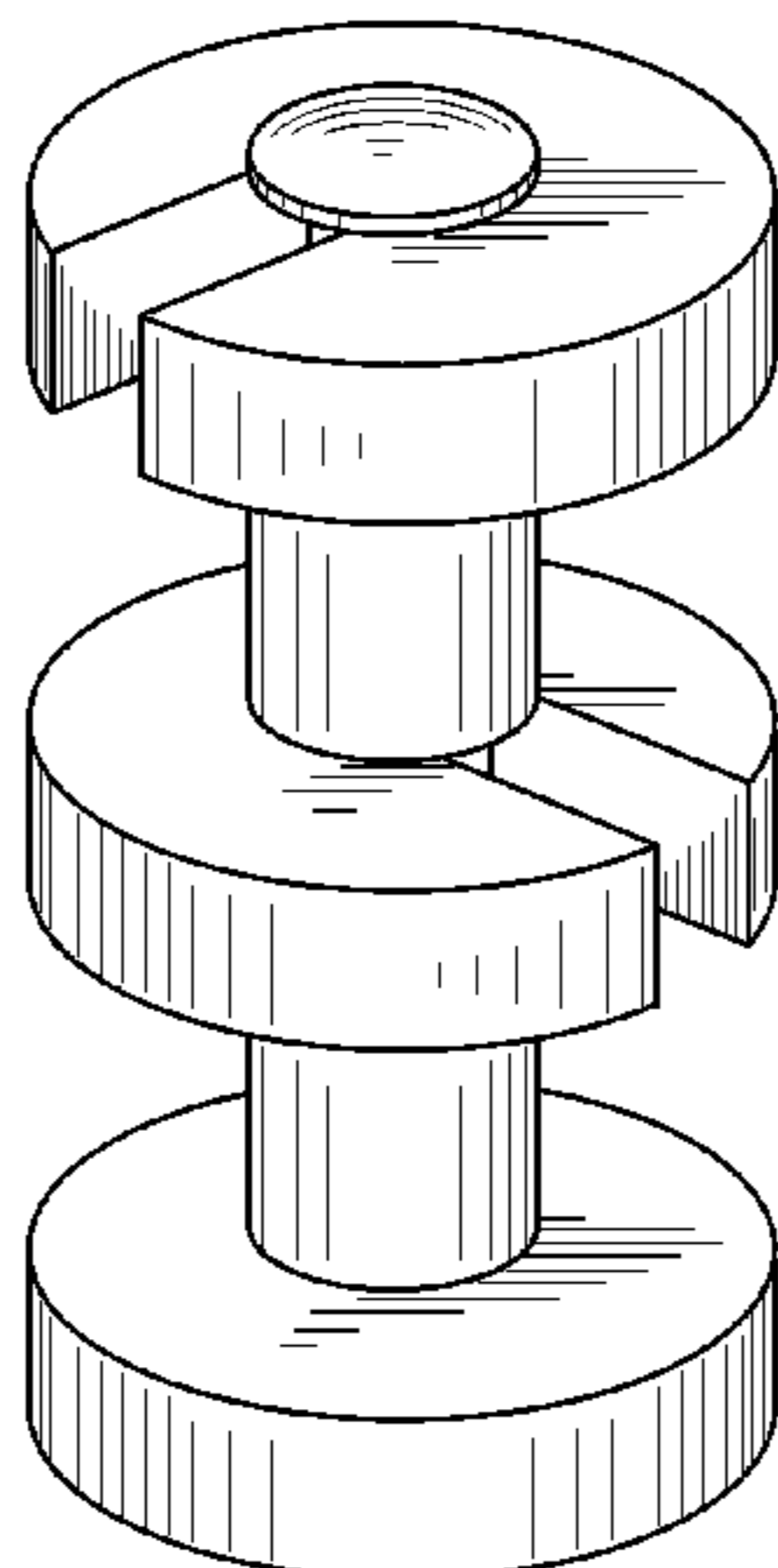
(57) **CLAIM**

The ornamental design for a pipe cleaning apparatus, as shown and described.

DESCRIPTION

FIG. 1 is a front perspective view of a pipe cleaning apparatus showing our new design;
FIG. 2 is a rear perspective view thereof;
FIG. 3 is a front view thereof;
FIG. 4 is a rear view thereof;
FIG. 5 is a right side view thereof;
FIG. 6 is a left side view thereof;
FIG. 7 is top view thereof; and,
FIG. 8 is a bottom view thereof.
The broken line boundary and area within it defines a portion of the pipe cleaning apparatus that forms no part of the claimed design.

1 Claim, 4 Drawing Sheets



US D651,773 S

Page 2

U.S. PATENT DOCUMENTS

5,940,922 A 8/1999 Saxon et al.
5,960,505 A * 10/1999 Sanghoon et al. 15/104.061
6,085,376 A 7/2000 Antal et al.
D454,003 S 3/2002 Saxon
D491,325 S * 6/2004 Hawkins D32/14
7,454,812 B1 * 11/2008 Lyle 15/104.05
D601,688 S * 10/2009 Abe et al. D23/386
2010/0294316 A1 11/2010 Antal et al.

OTHER PUBLICATIONS

ITC, Inc., screen shot of website page at the URL <http://www.itcleaning.com/darts.html> (obtained from www.archive.org) dated Dec. 2, 2005.

* cited by examiner

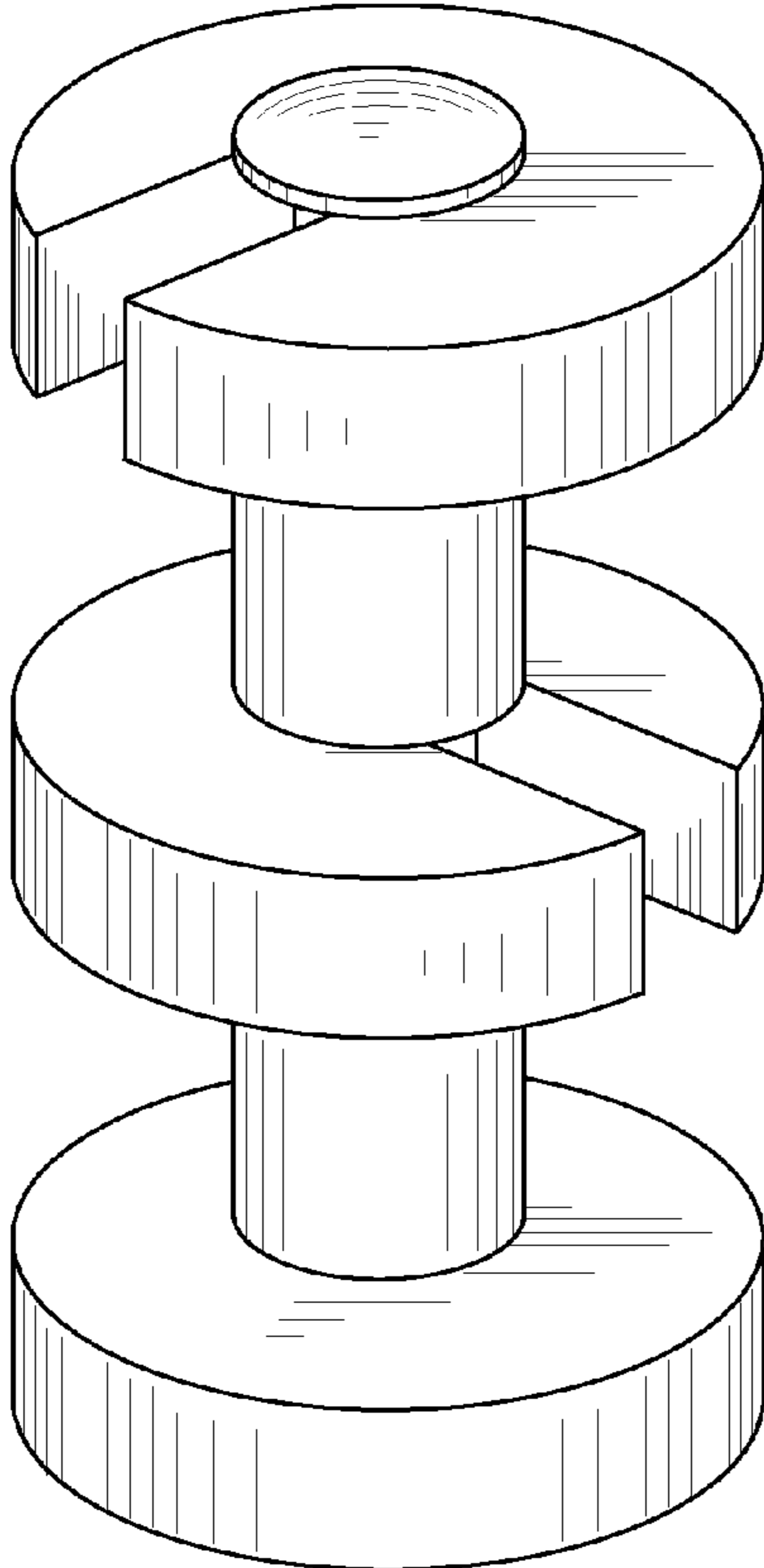


FIG. 1

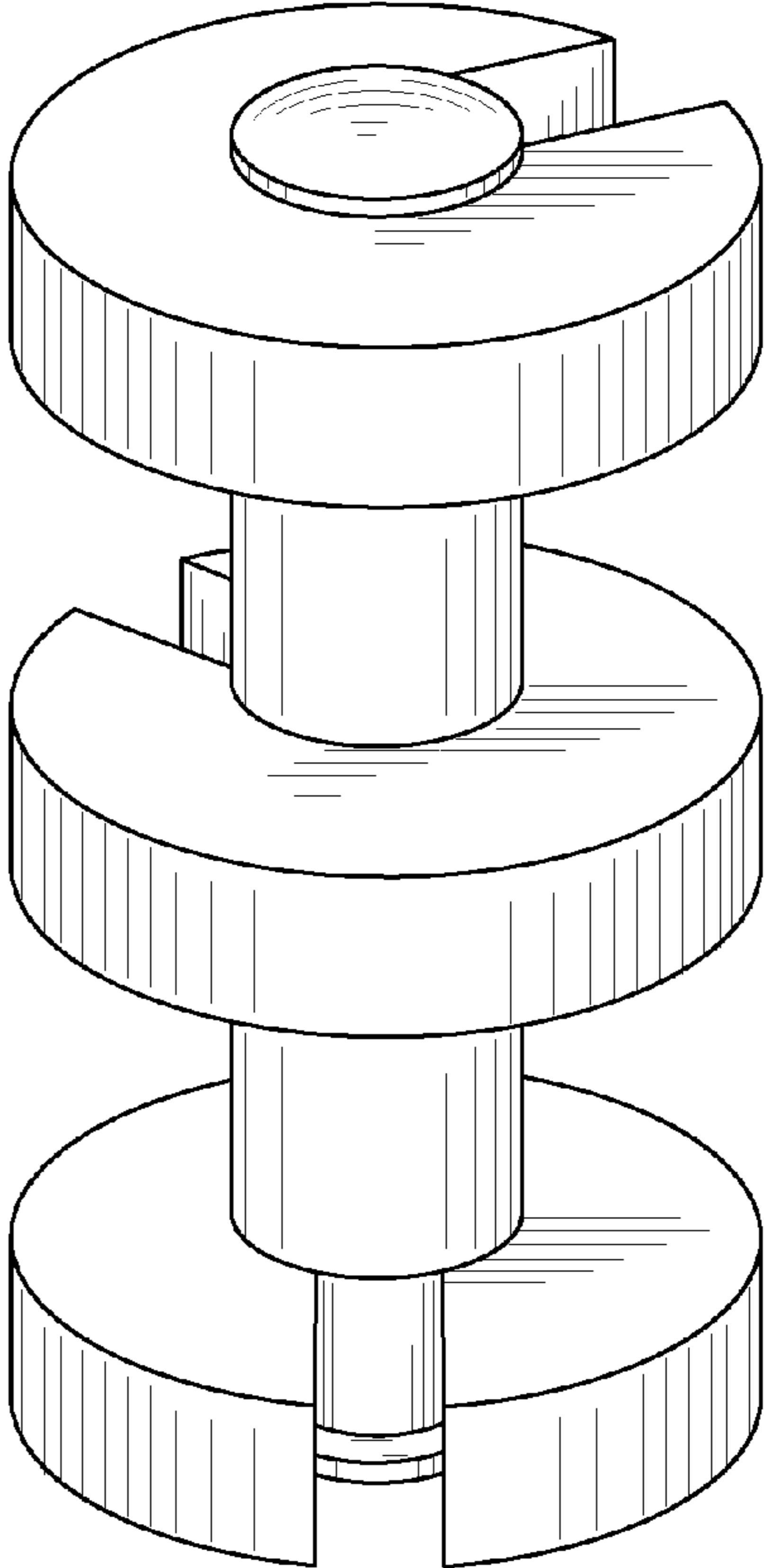


FIG. 2

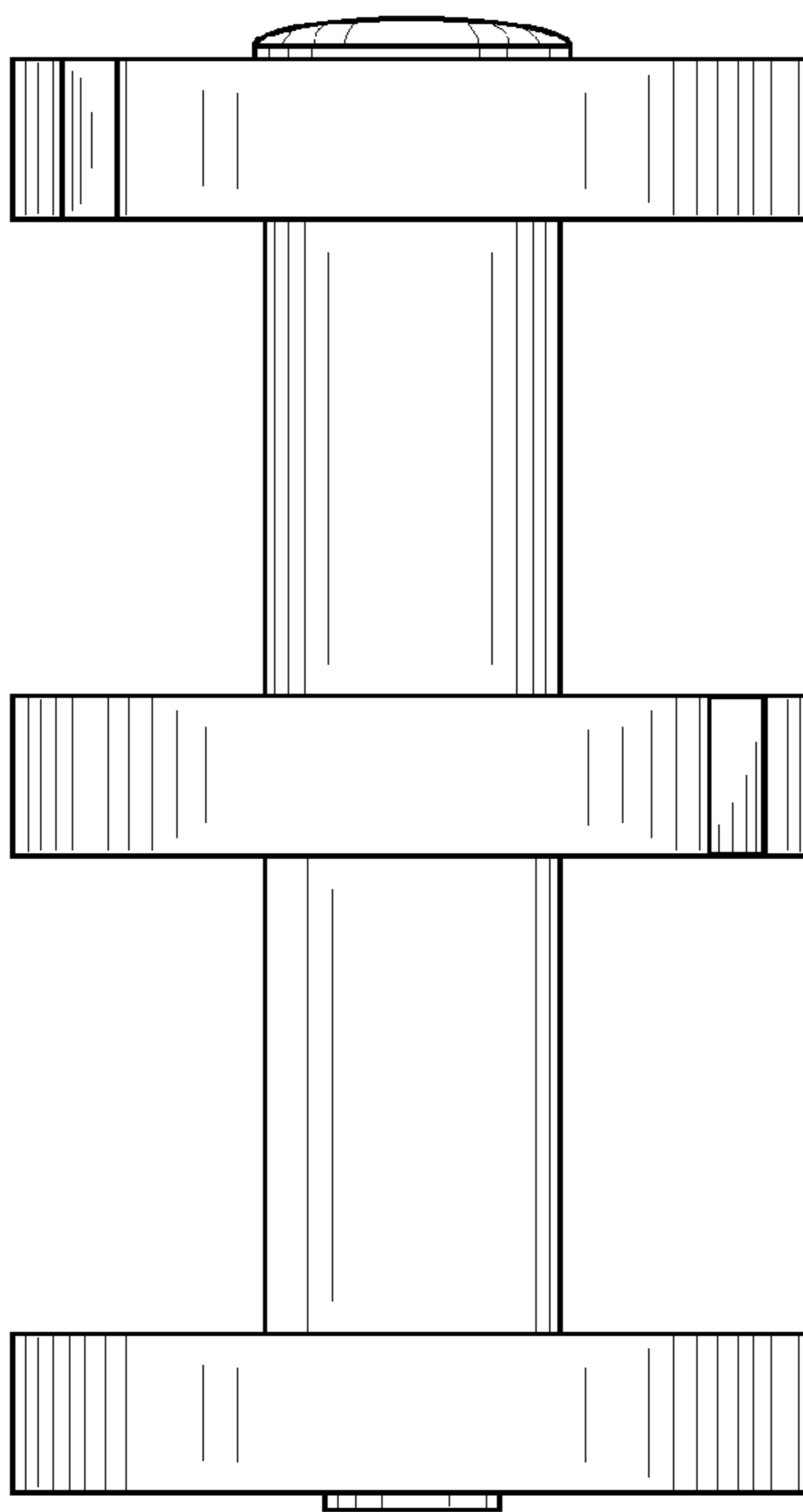


FIG. 3

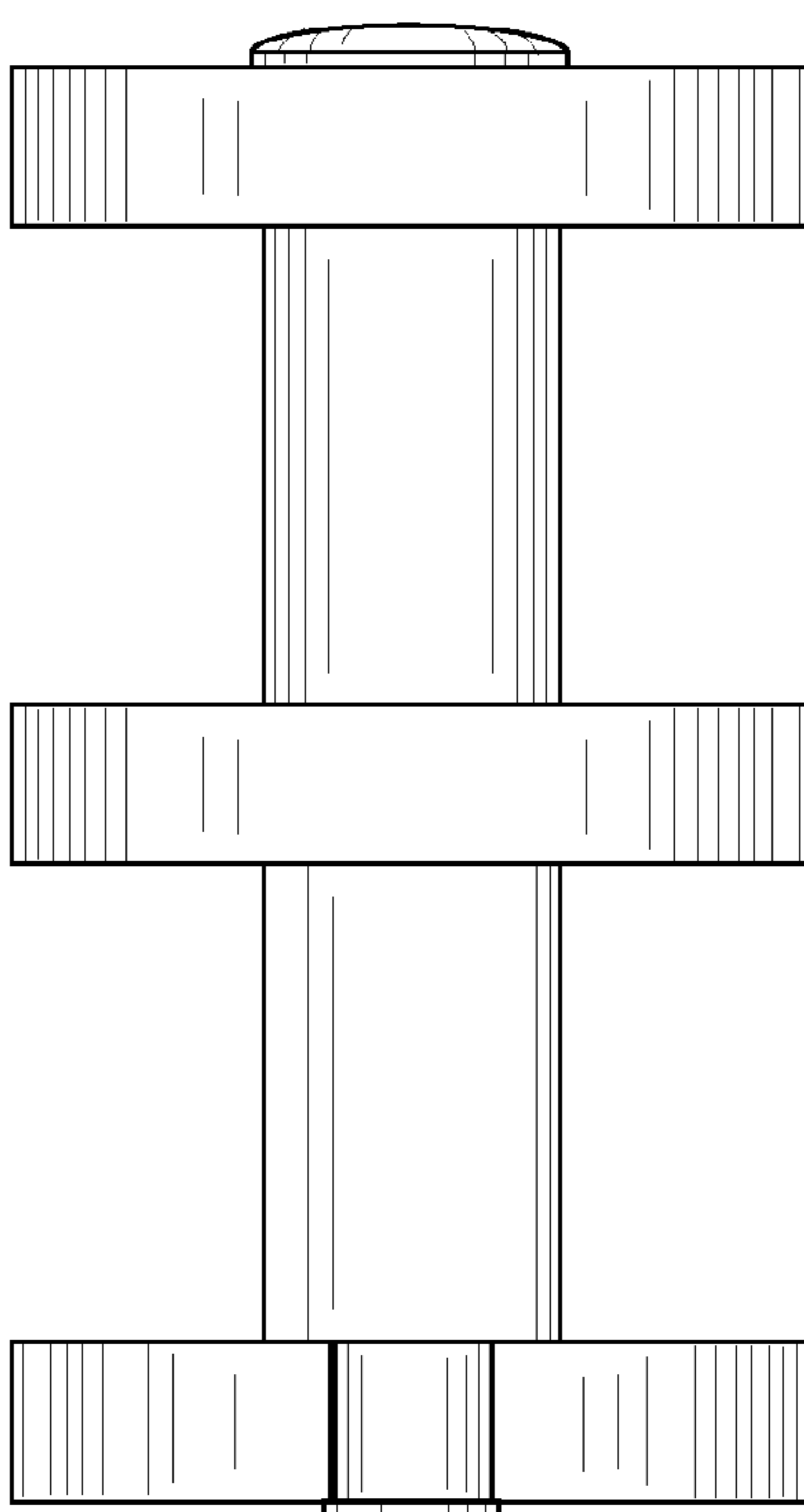


FIG. 4

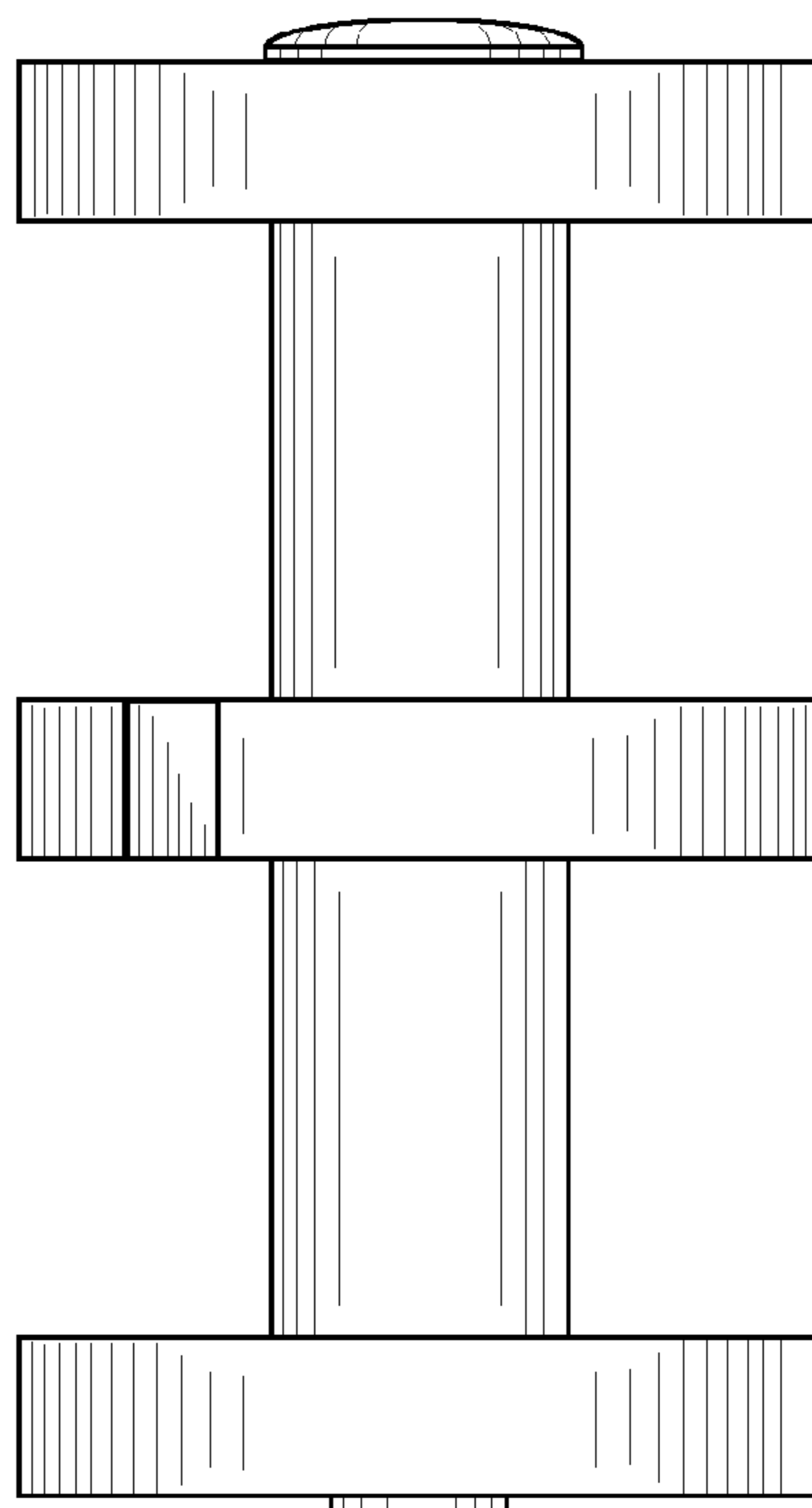


FIG. 5

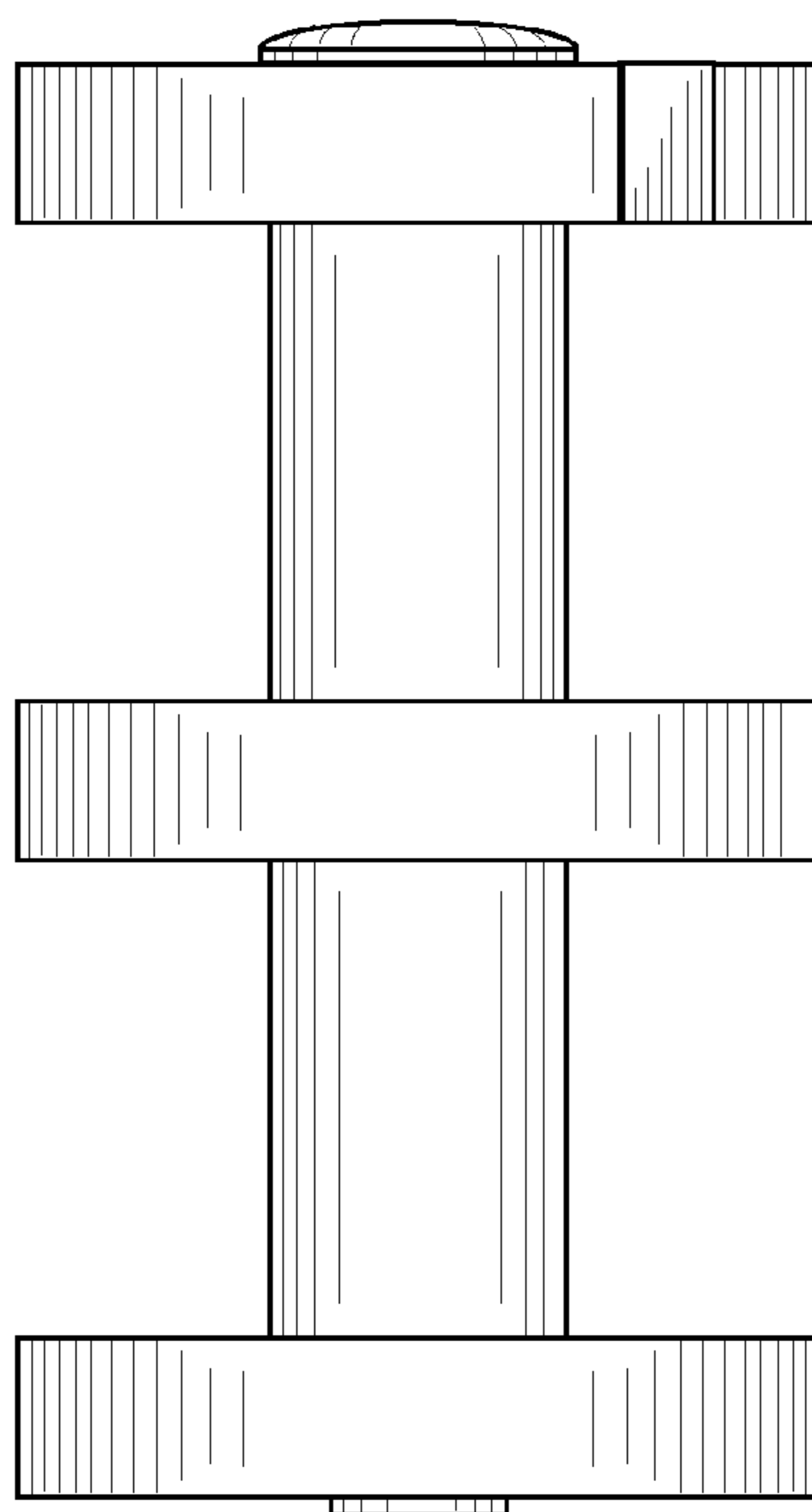


FIG. 6

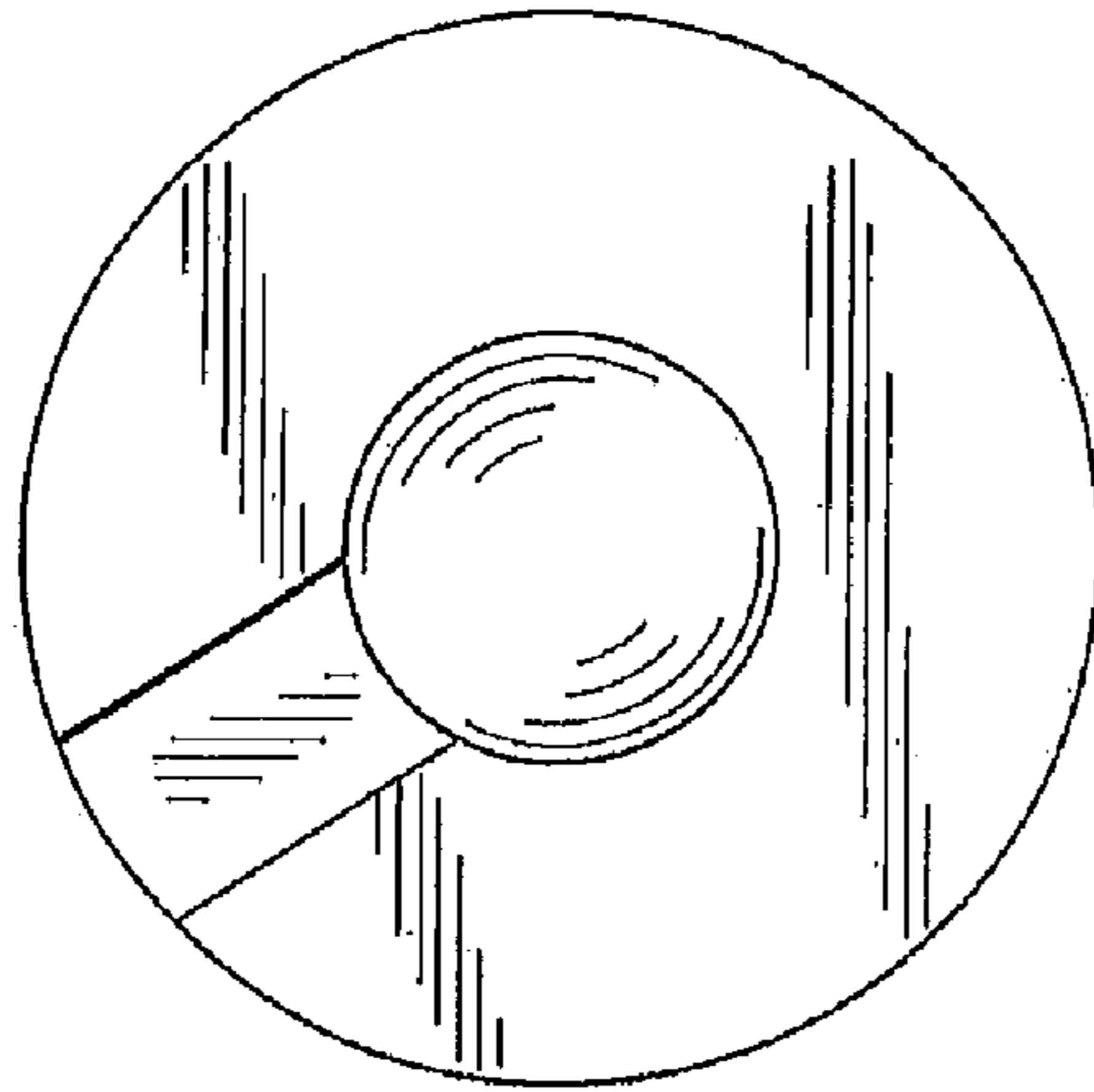


FIG. 7

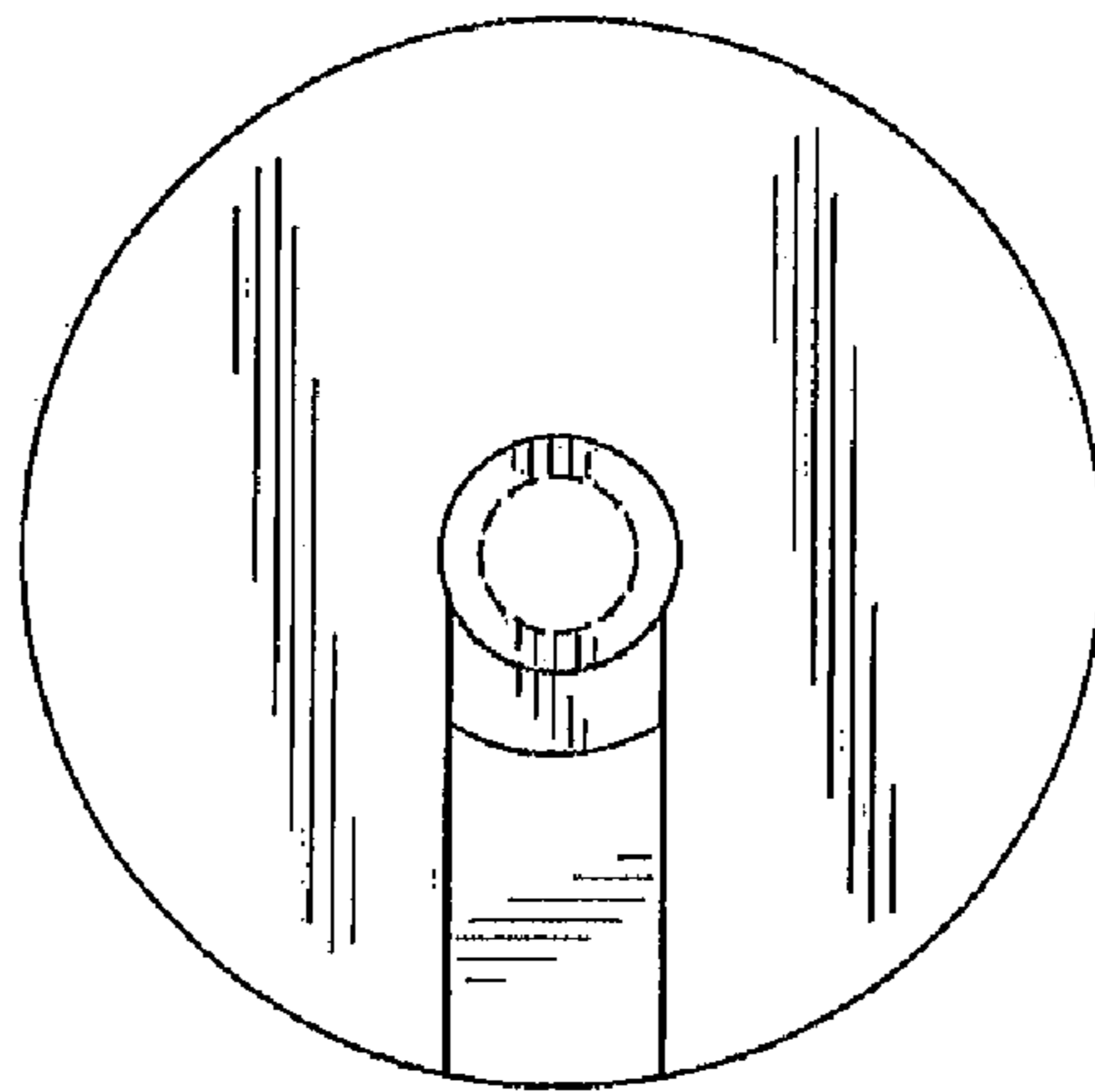


FIG. 8