



US00D651742S

(12) **United States Design Patent**  
**Kim**

(10) **Patent No.:** **US D651,742 S**  
(45) **Date of Patent:** **\*\* Jan. 3, 2012**

(54) **HAIR IRON**

(75) Inventor: **Hae Jin Kim**, Seoul-si (KR)

(73) Assignee: **GHD Korea, Inc.**, Chungcheongnam-Do (KR)

(\*\*) Term: **14 Years**

(21) Appl. No.: **29/381,000**

(22) Filed: **Dec. 14, 2010**

(30) **Foreign Application Priority Data**

Nov. 17, 2010 (KR) ..... 30-2010-0049542

(51) **LOC (9) Cl.** ..... **28-03**

(52) **U.S. Cl.** ..... **D28/35**

(58) **Field of Classification Search** ..... D28/35,  
D28/38; 132/223–236; 219/222, 225–227,  
219/242

See application file for complete search history.

(56) **References Cited**

**U.S. PATENT DOCUMENTS**

D254,452 S *	3/1980	Rakocy et al.	.....	D28/35
4,870,250 A *	9/1989	Rizzuto et al.	.....	219/225
D480,176 S *	9/2003	Ouellette	.....	D28/35
D506,031 S *	6/2005	Cho	.....	D28/35
D596,793 S *	7/2009	Kwok	.....	D28/35
D605,357 S *	12/2009	Kwok	.....	D28/35
D606,256 S *	12/2009	Leung	.....	D28/35
D625,048 S *	10/2010	Mayo et al.	.....	D28/35
D627,515 S *	11/2010	Kim	.....	D28/35
D627,926 S *	11/2010	Nenadich	.....	D28/35

\* cited by examiner

*Primary Examiner* — Jennifer Rivard

(74) *Attorney, Agent, or Firm* — Duane Morris, LLP; J. Rodman Steele, Jr.; Gregory M. Lefkowitz

(57) **CLAIM**

The ornamental design for a hair iron, as shown and described.

**DESCRIPTION**

FIG. 1 is a perspective view of a hair iron with hair iron cap;  
 FIG. 2 is a front elevational view thereof;  
 FIG. 3 is a rear elevational view thereof;  
 FIG. 4 is a left side elevational view thereof;  
 FIG. 5 is a right side elevational view thereof;  
 FIG. 6 is a top plan view thereof;  
 FIG. 7 is a bottom plan view thereof;  
 FIG. 8 is a perspective view of the hair iron body;  
 FIG. 9 is a front elevational view thereof;  
 FIG. 10 is rear elevational view thereof;  
 FIG. 11 is a left side elevational view thereof;  
 FIG. 12 is a right side elevational view thereof;  
 FIG. 13 is a top plan view thereof;  
 FIG. 14 is a bottom plan view thereof;  
 FIG. 15 is a perspective view of the hair iron cap;  
 FIG. 16 is a front elevational view thereof;  
 FIG. 17 is rear elevational view thereof;  
 FIG. 18 is a left side elevational view thereof;  
 FIG. 19 is a right side elevational view thereof;  
 FIG. 20 is a top plan view thereof; and,  
 FIG. 21 is a bottom plan view thereof.

The hair iron's body and cap are separately disclosed for convenience of illustration. The broken lines shown in the drawings illustrate portions of the article and form no part of the claimed design.

**1 Claim, 7 Drawing Sheets**

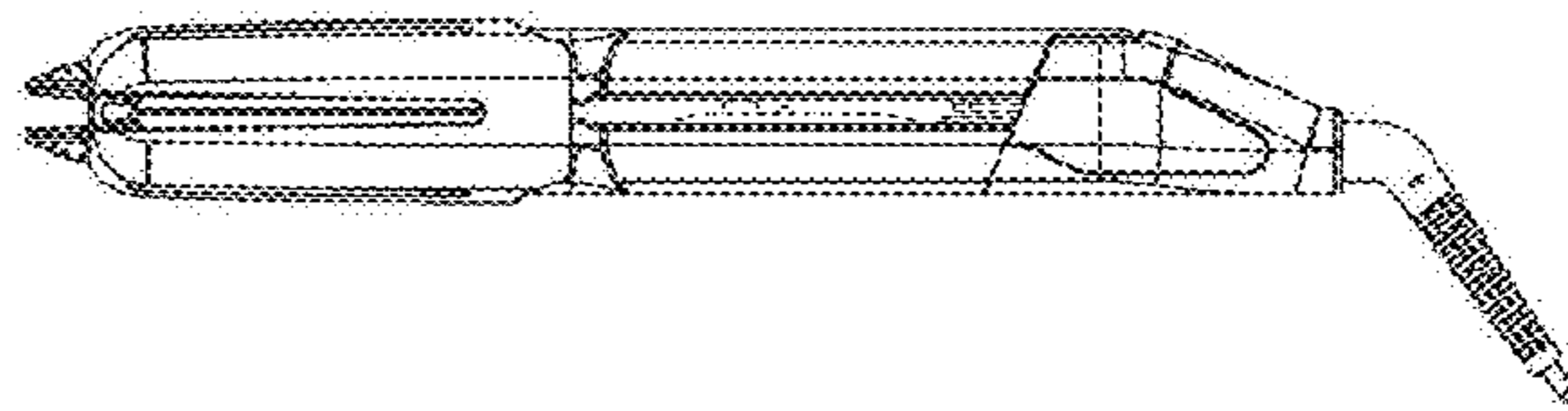
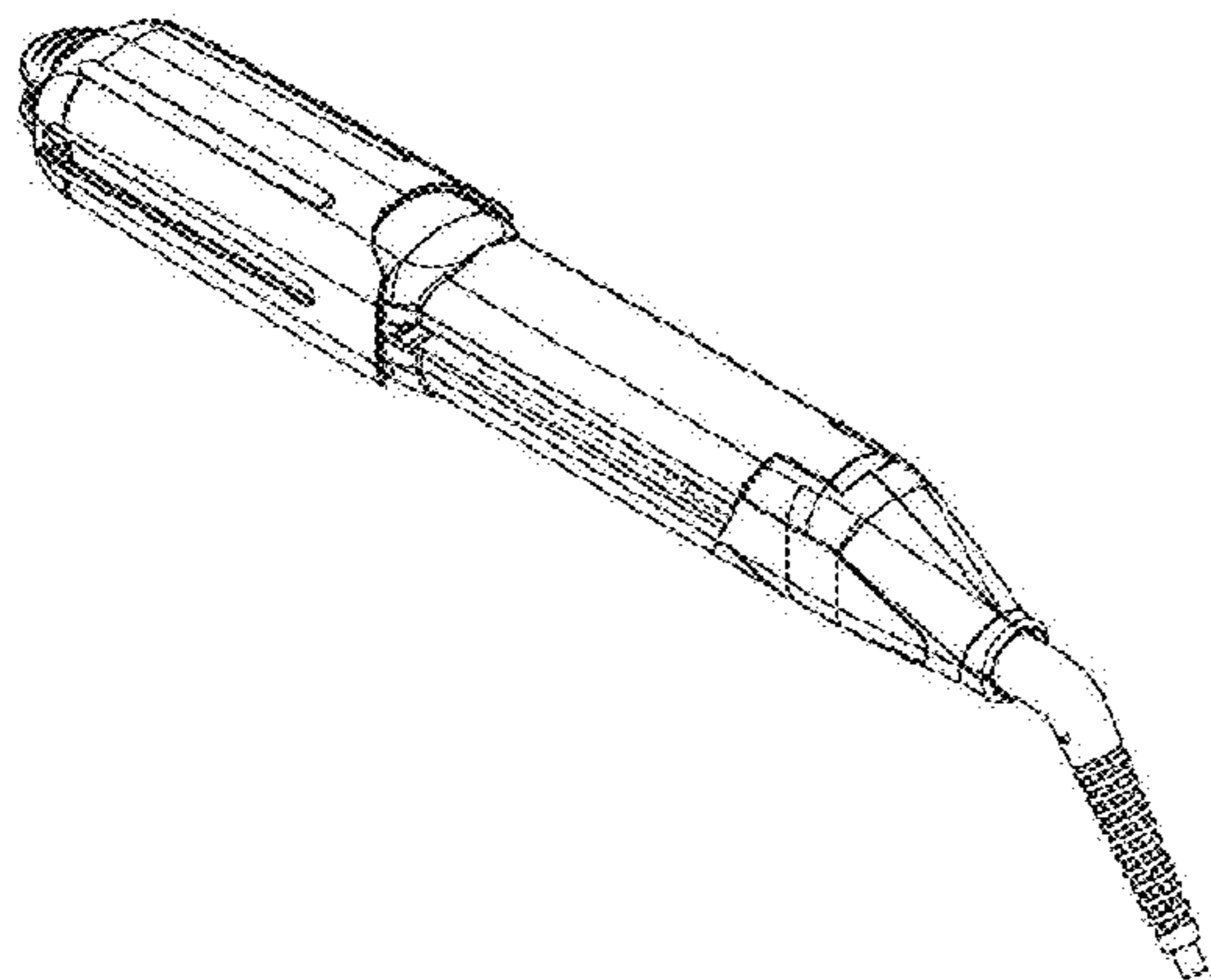


Fig. 1

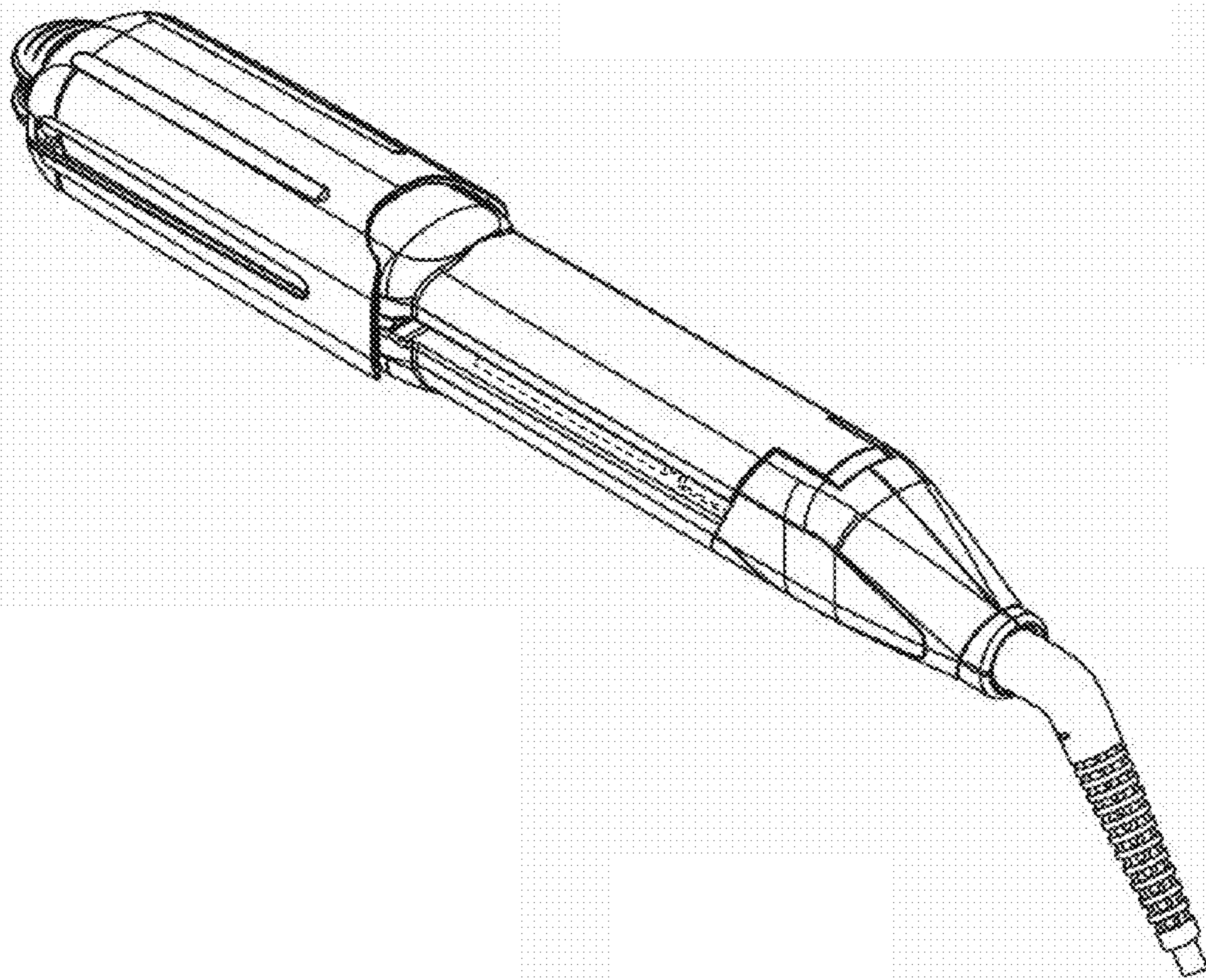


Fig. 2

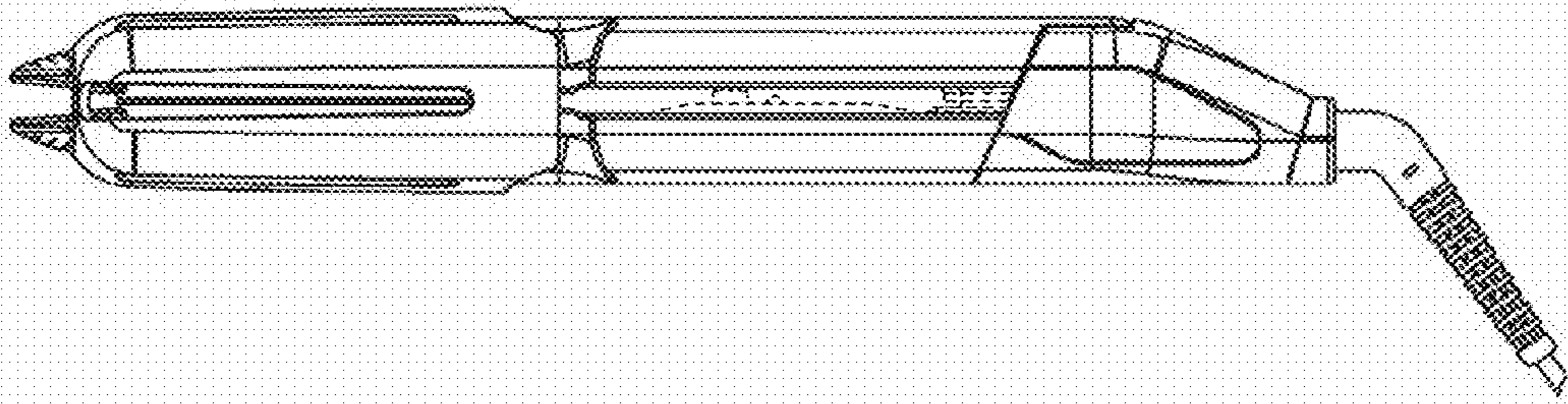


Fig. 3

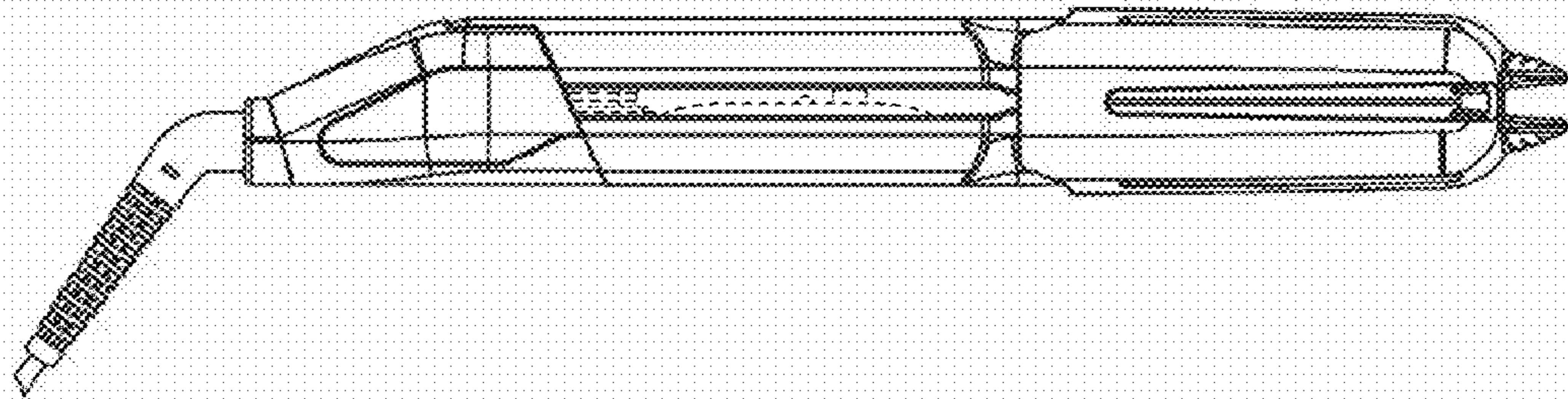


Fig. 4

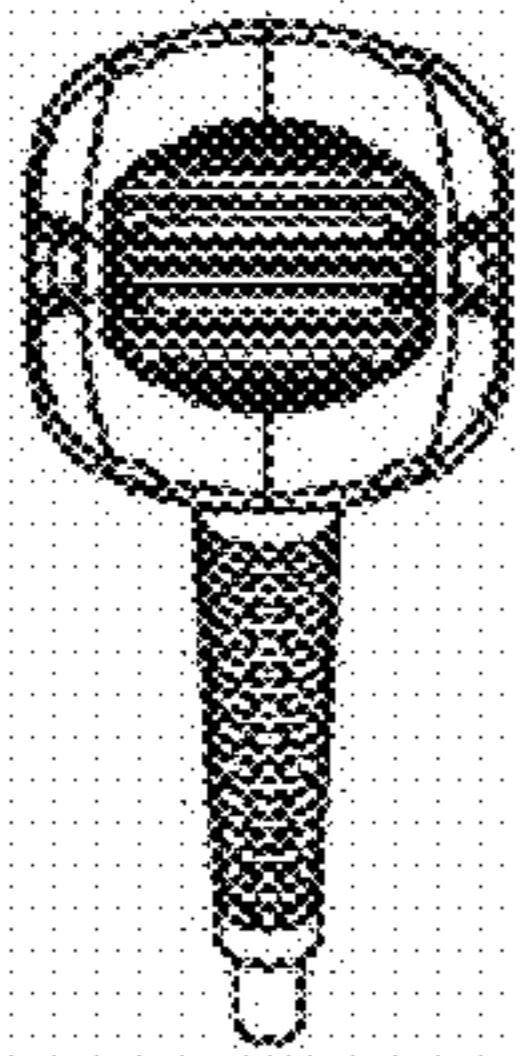


Fig. 5

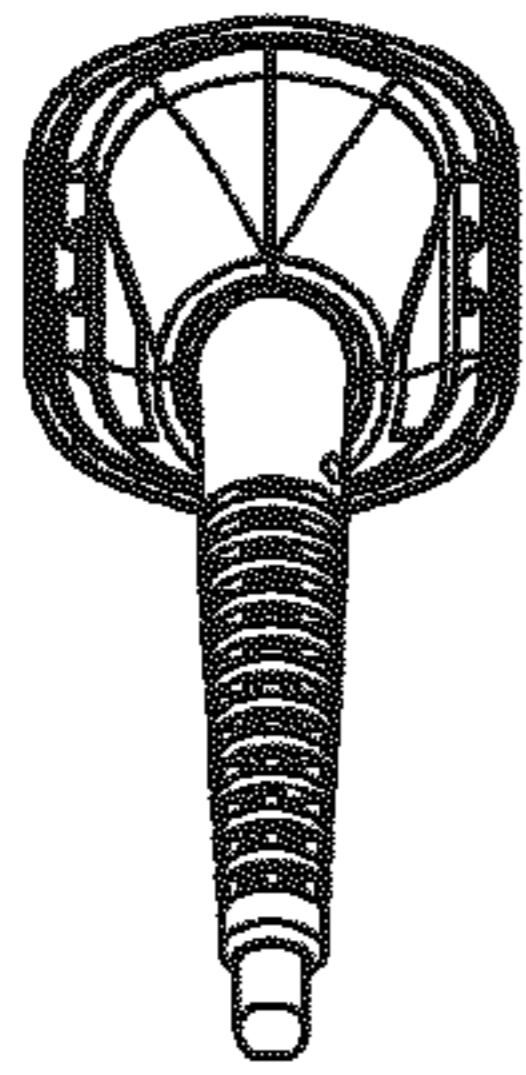


Fig. 6

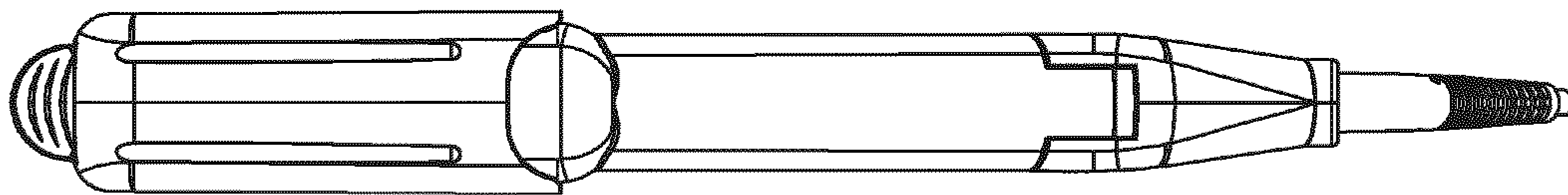


Fig. 7

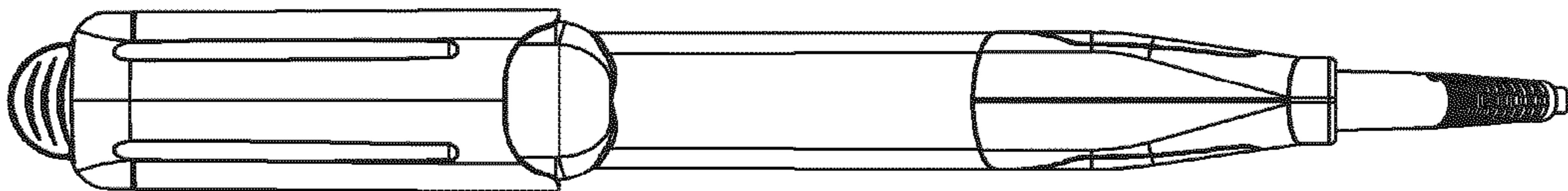


Fig. 8

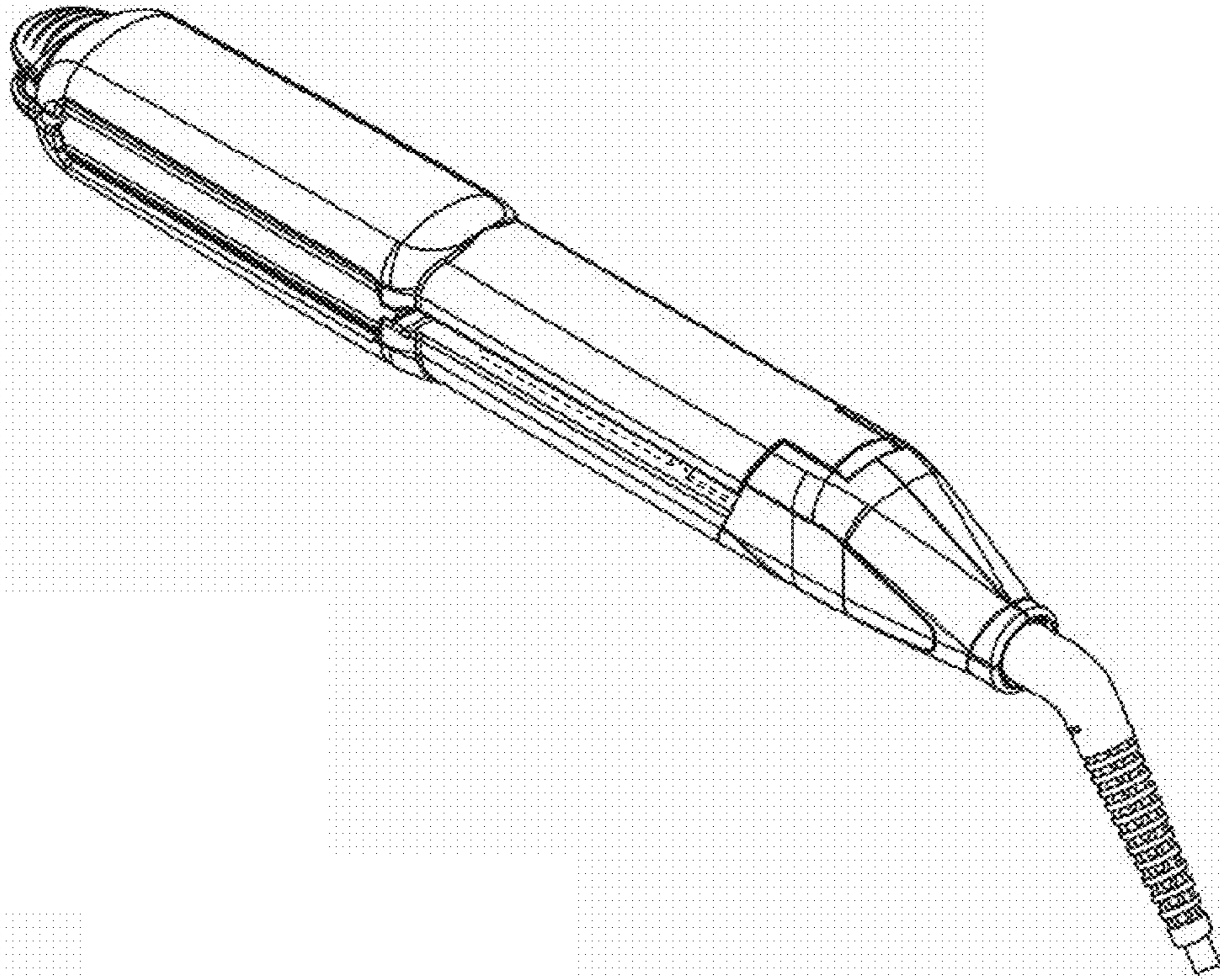


Fig. 9

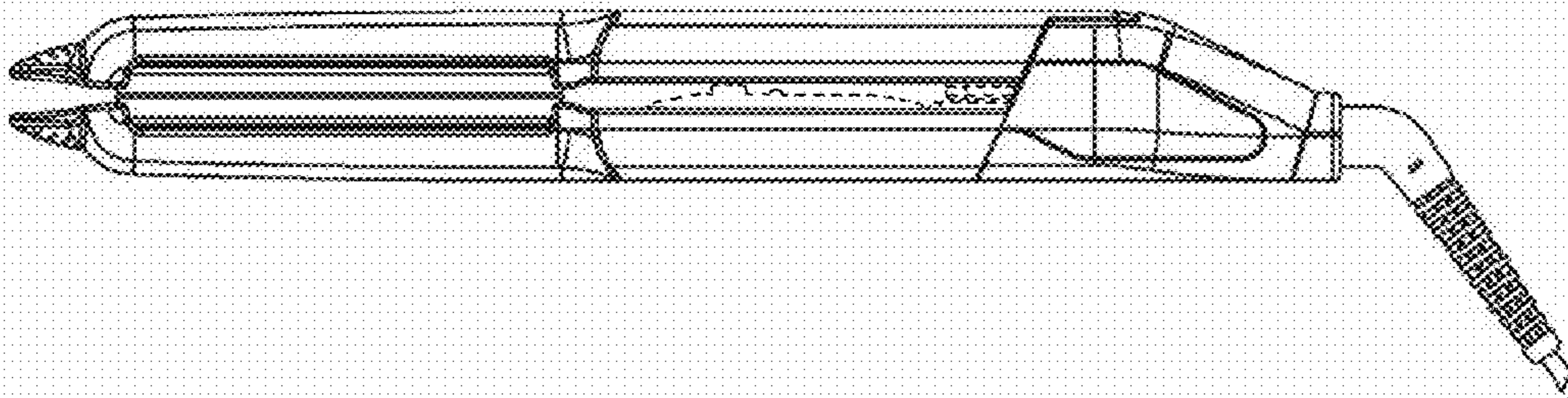


Fig. 10

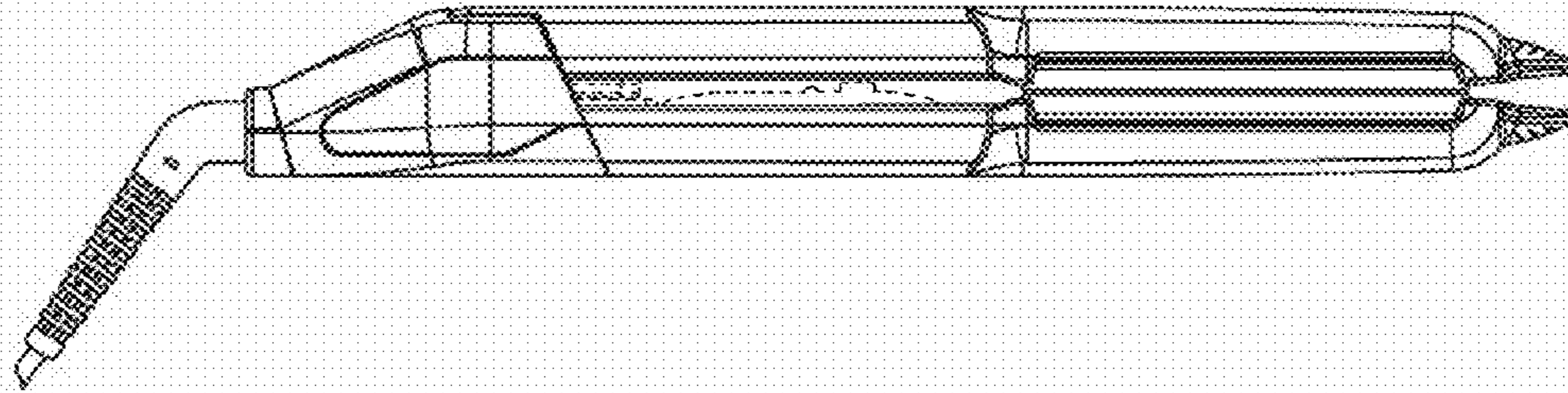


Fig. 11

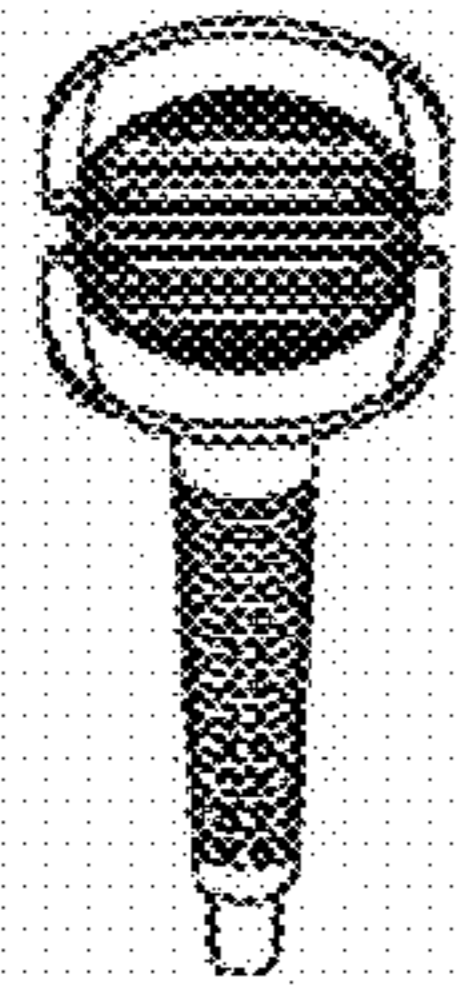


Fig. 12

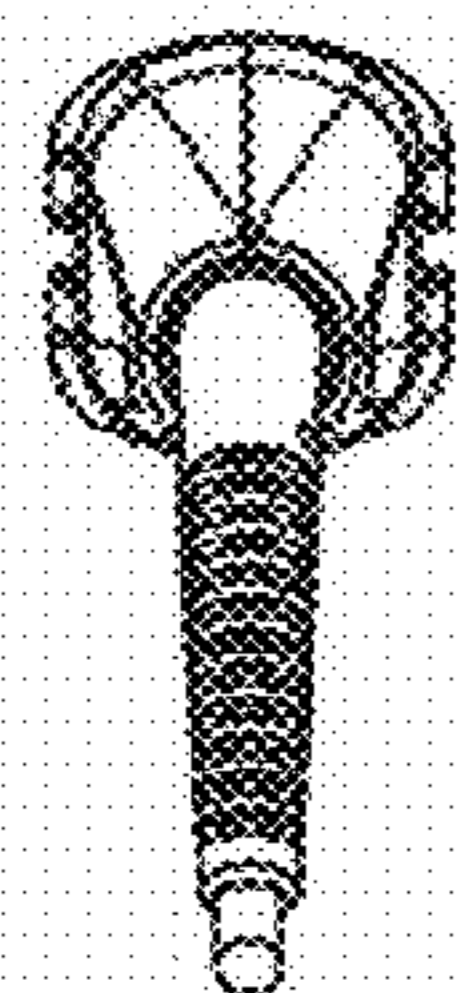


Fig. 13

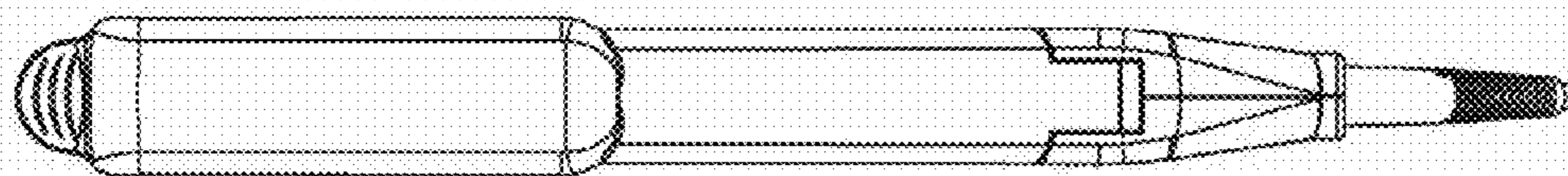


Fig. 14

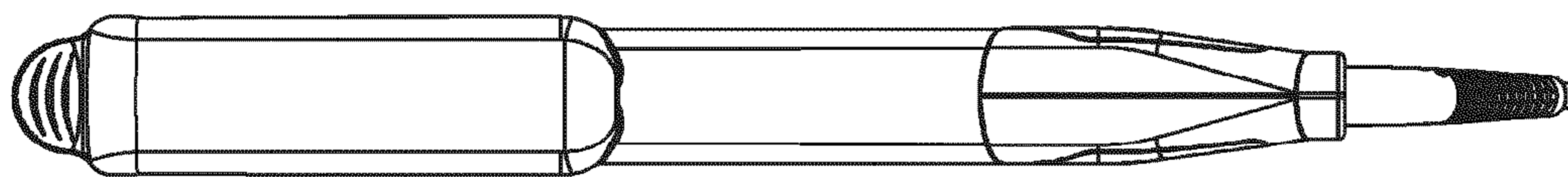


Fig. 15

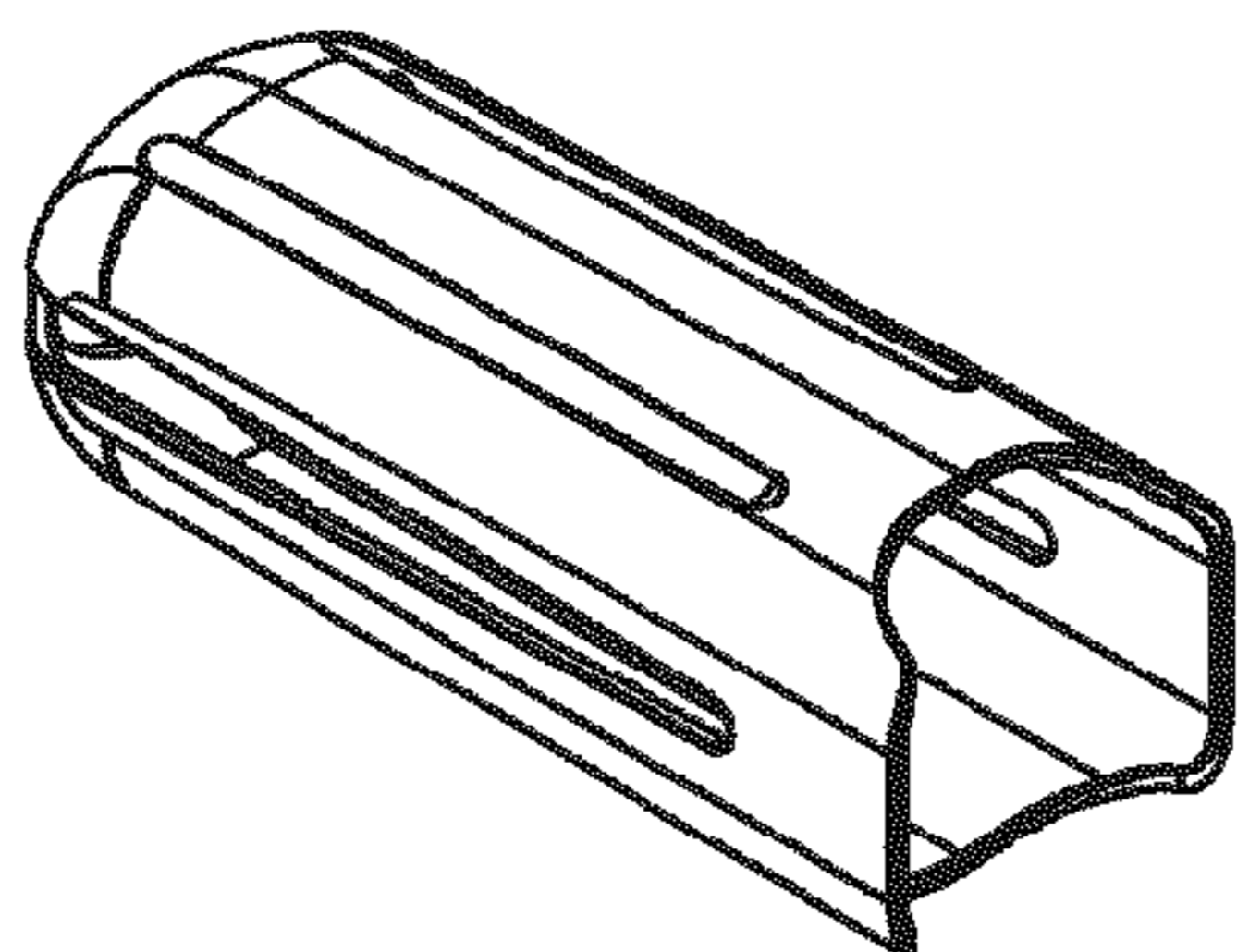


Fig. 16



Fig. 17



Fig. 18

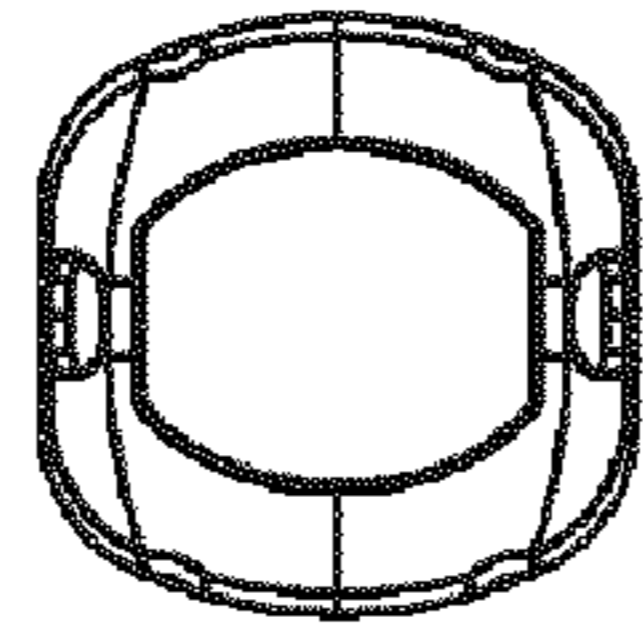


Fig. 19

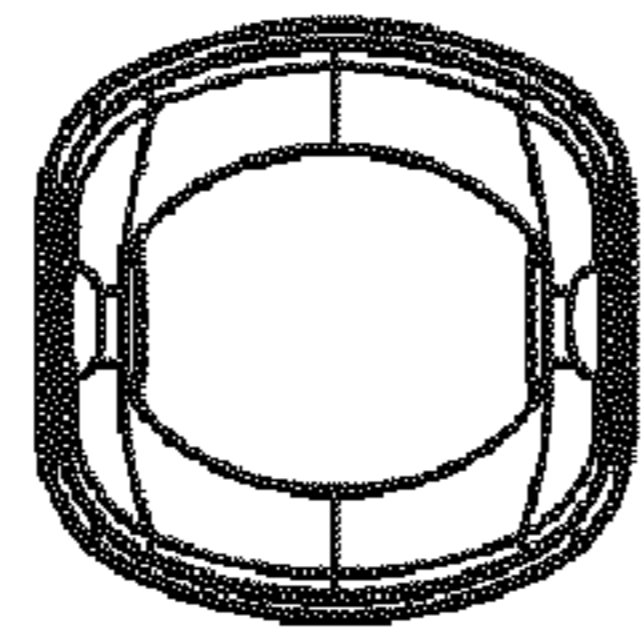


Fig. 20



Fig. 21

