



US00D651737S

(12) **United States Design Patent**  
**Martin**

(10) **Patent No.:** **US D651,737 S**  
(45) **Date of Patent:** **\*\* Jan. 3, 2012**

(54) **LAMP**

(75) Inventor: **David J. Martin**, Brandon, VT (US)

(73) Assignee: **Hubbardton Forge LLC**, Castleton, VT (US)

(\*\*) Term: **14 Years**

(21) Appl. No.: **29/365,023**

(22) Filed: **Jul. 1, 2010**

(51) **LOC (9) Cl.** ..... **26-99**

(52) **U.S. Cl.** ..... **D26/128; D26/88**

(58) **Field of Classification Search** ..... D26/67-71,  
D26/73, 85, 101, 125, 128; 362/147, 152,  
362/153, 153.1, 183, 185, 431, 653  
See application file for complete search history.

(56) **References Cited**

**U.S. PATENT DOCUMENTS**

D21,973 S *	11/1892	Pait et al. ....	D9/653
D202,808 S *	11/1965	Dailey .....	D26/67
D213,521 S *	3/1969	Vesely et al. ....	D26/24
D248,505 S *	7/1978	Koziol .....	D26/51
D333,189 S *	2/1993	Hall et al. ....	D26/67

D457,979 S *	5/2002	Chen .....	D26/72
D469,559 S *	1/2003	Chang .....	D26/67
D483,138 S *	12/2003	Chen .....	D26/67
D540,970 S *	4/2007	Chen .....	D26/67
D553,284 S *	10/2007	Bucher et al. ....	D26/67

\* cited by examiner

*Primary Examiner* — Clare E Heflin

(74) *Attorney, Agent, or Firm* — Bourque and Associates, PA

(57) **CLAIM**

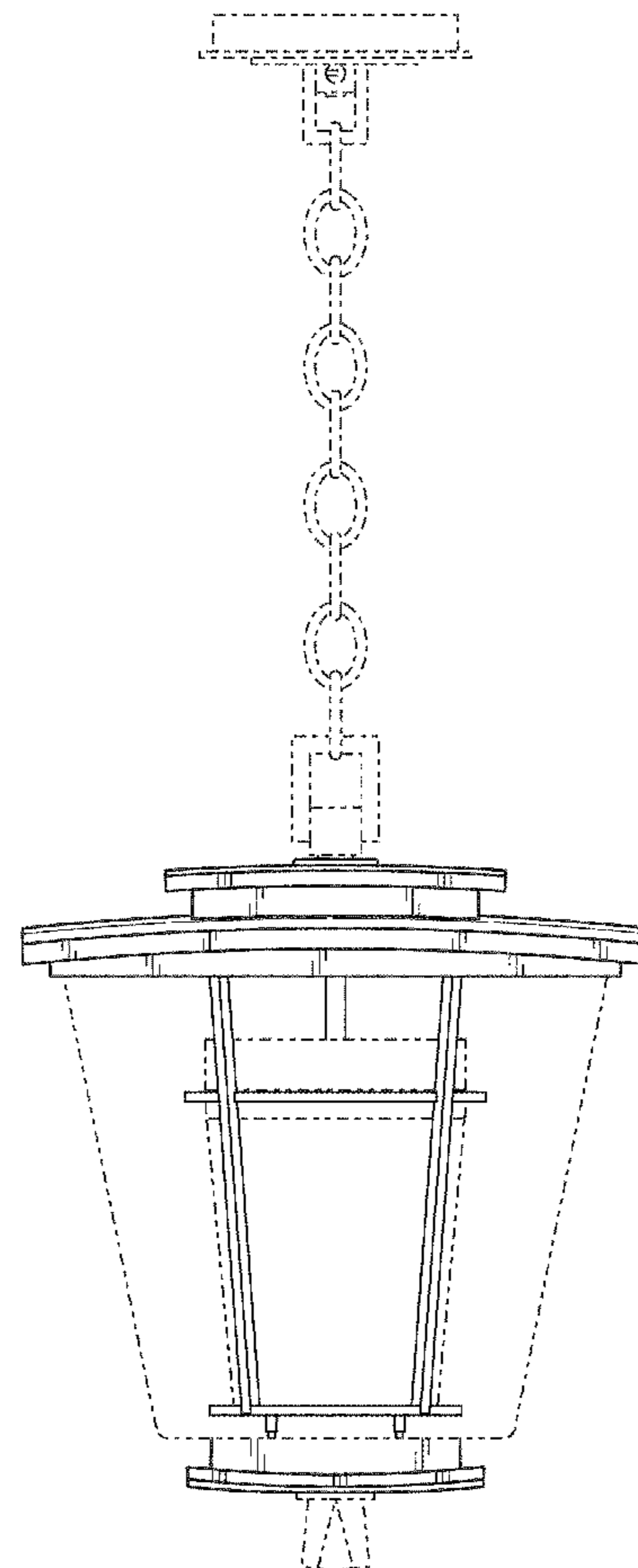
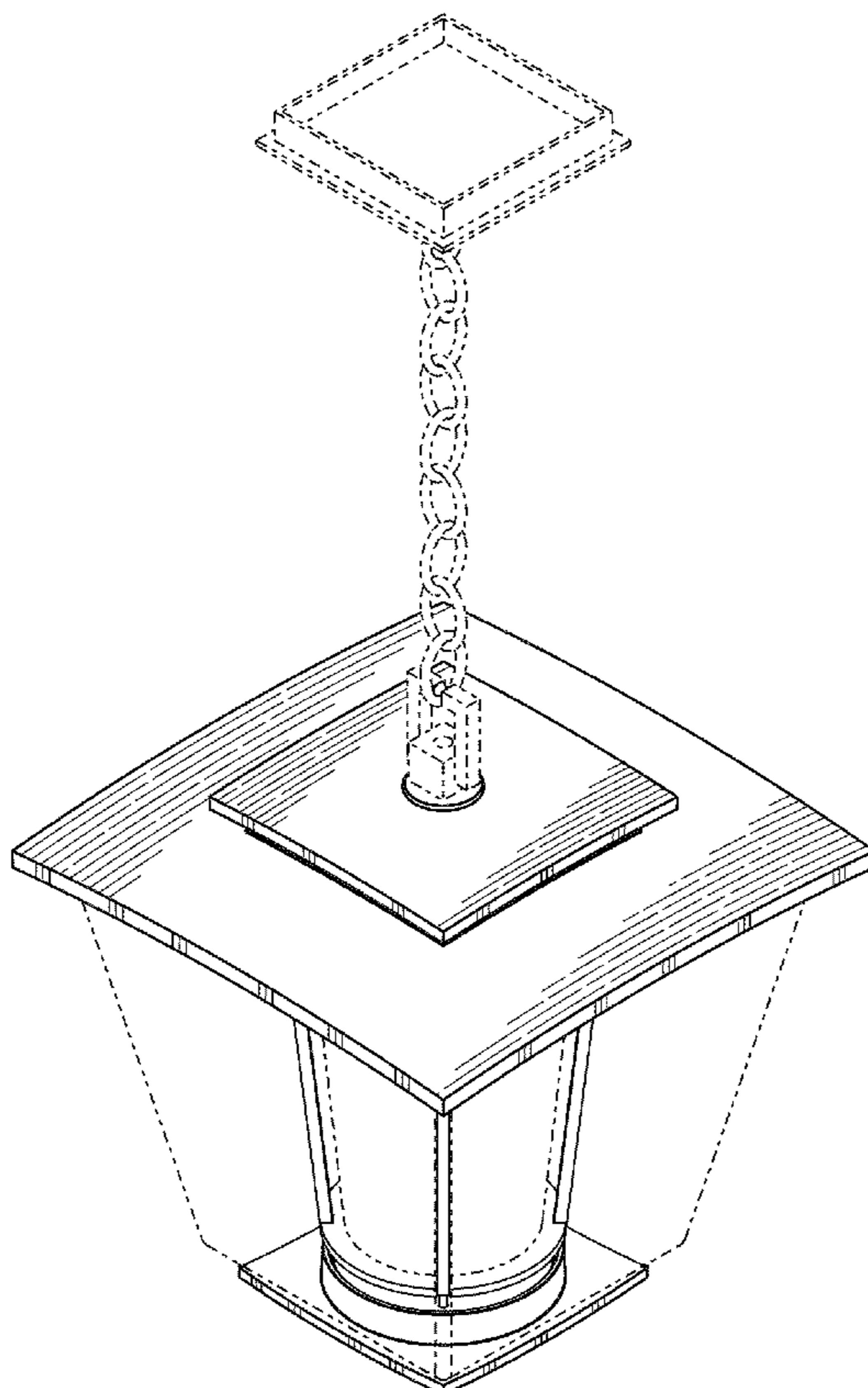
The ornamental design for a lamp, as shown and described.

**DESCRIPTION**

FIG. 1 is a perspective view of the lamp according to the present invention;  
FIG. 2 is a front view thereof;  
FIG. 3 is a back view thereof;  
FIG. 4 is a left side view thereof;  
FIG. 5 is a right side view thereof;  
FIG. 6 is a top view thereof; and,  
FIG. 7 is a bottom view thereof.

The broken lines shown on the drawings depict environment only and form no part of the claimed design.

**1 Claim, 6 Drawing Sheets**



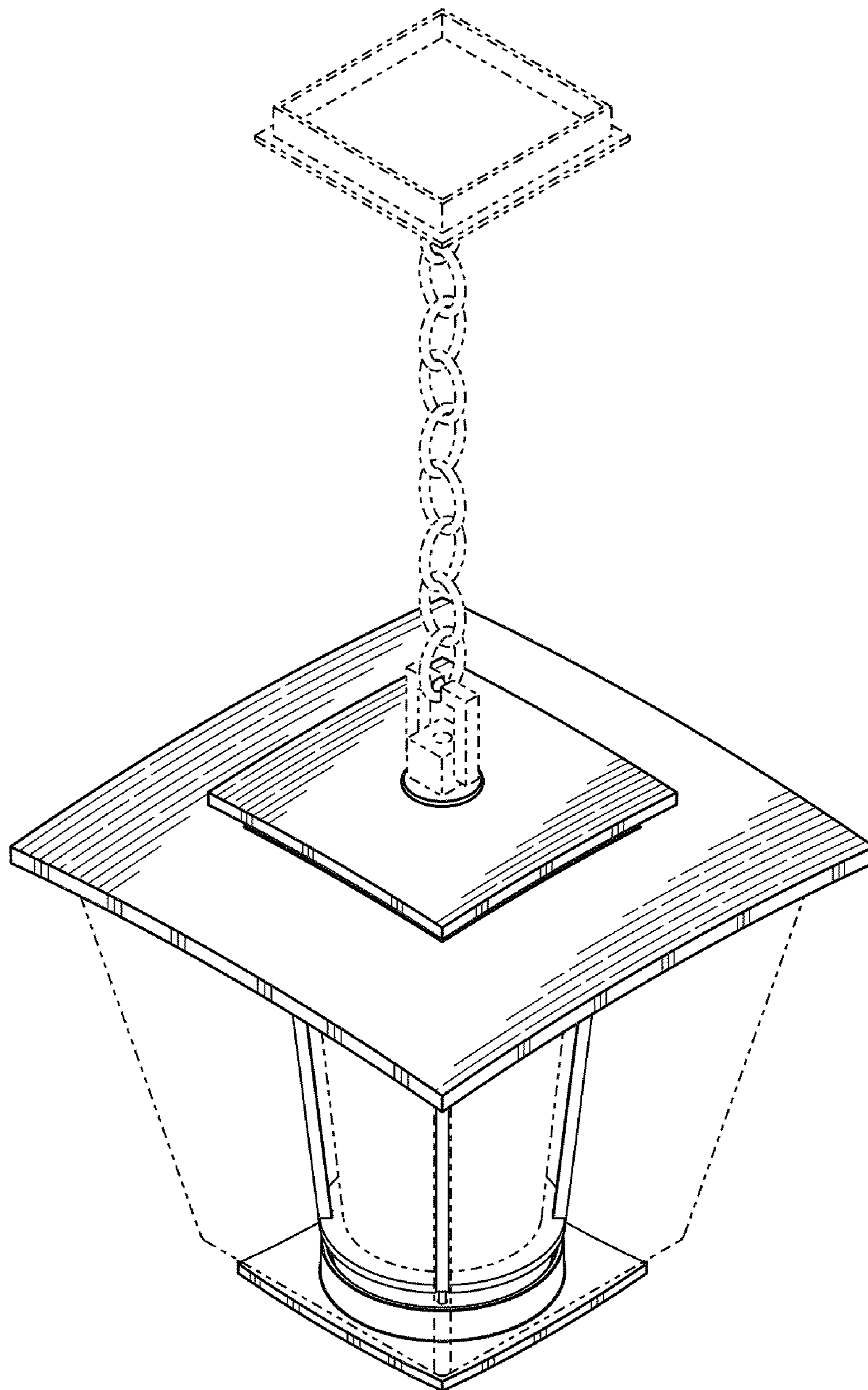


FIG. 1

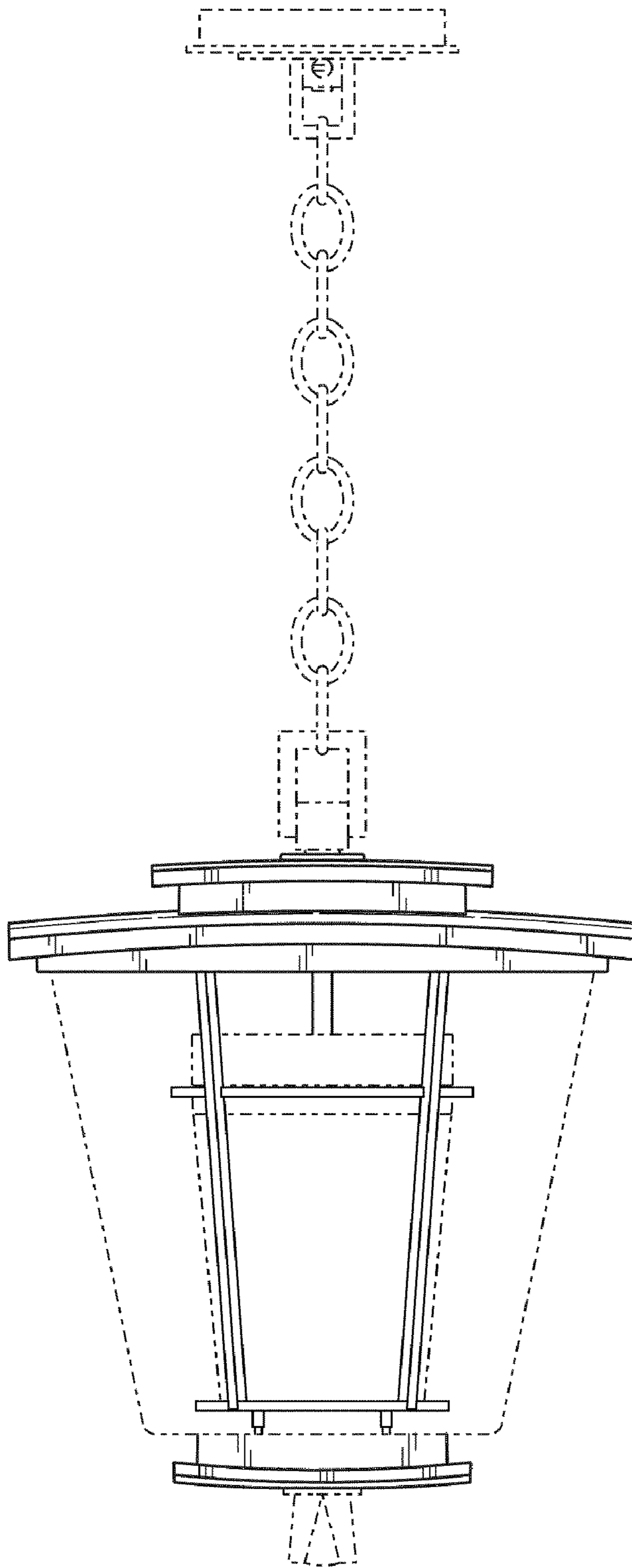


FIG. 2

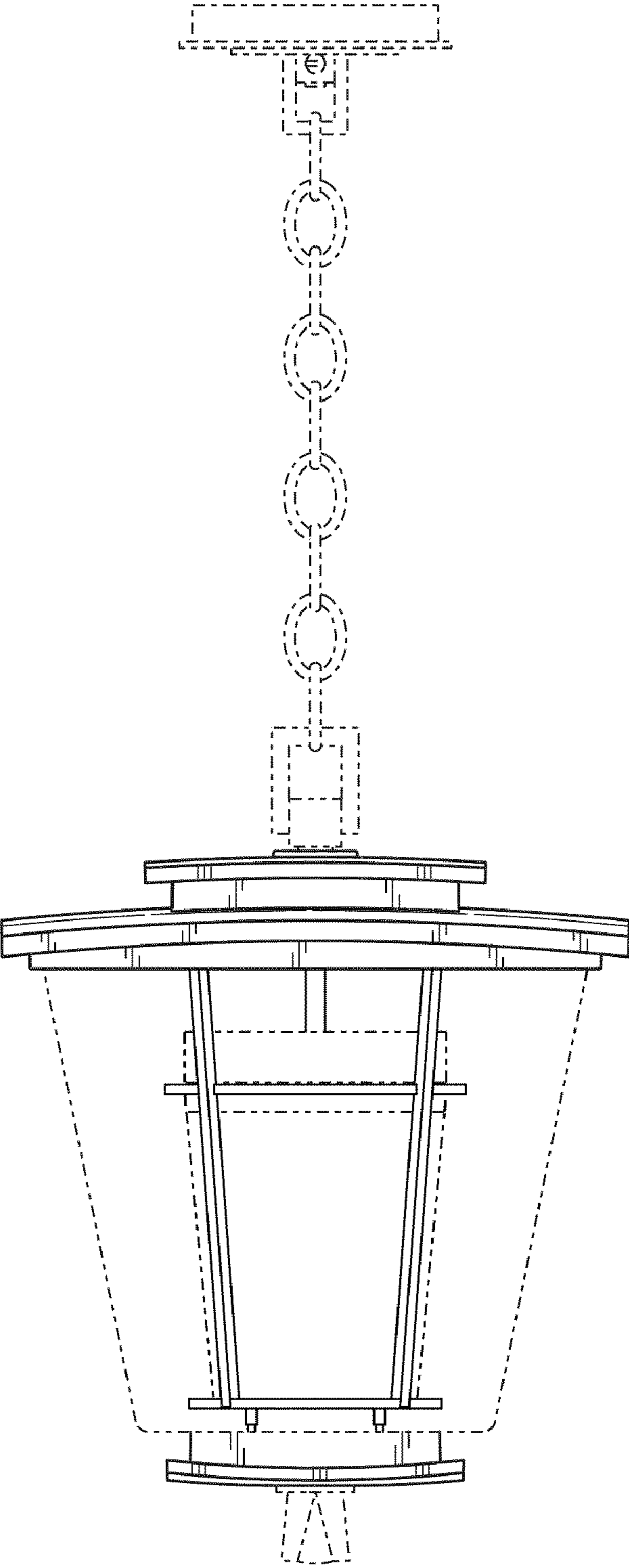


FIG. 3

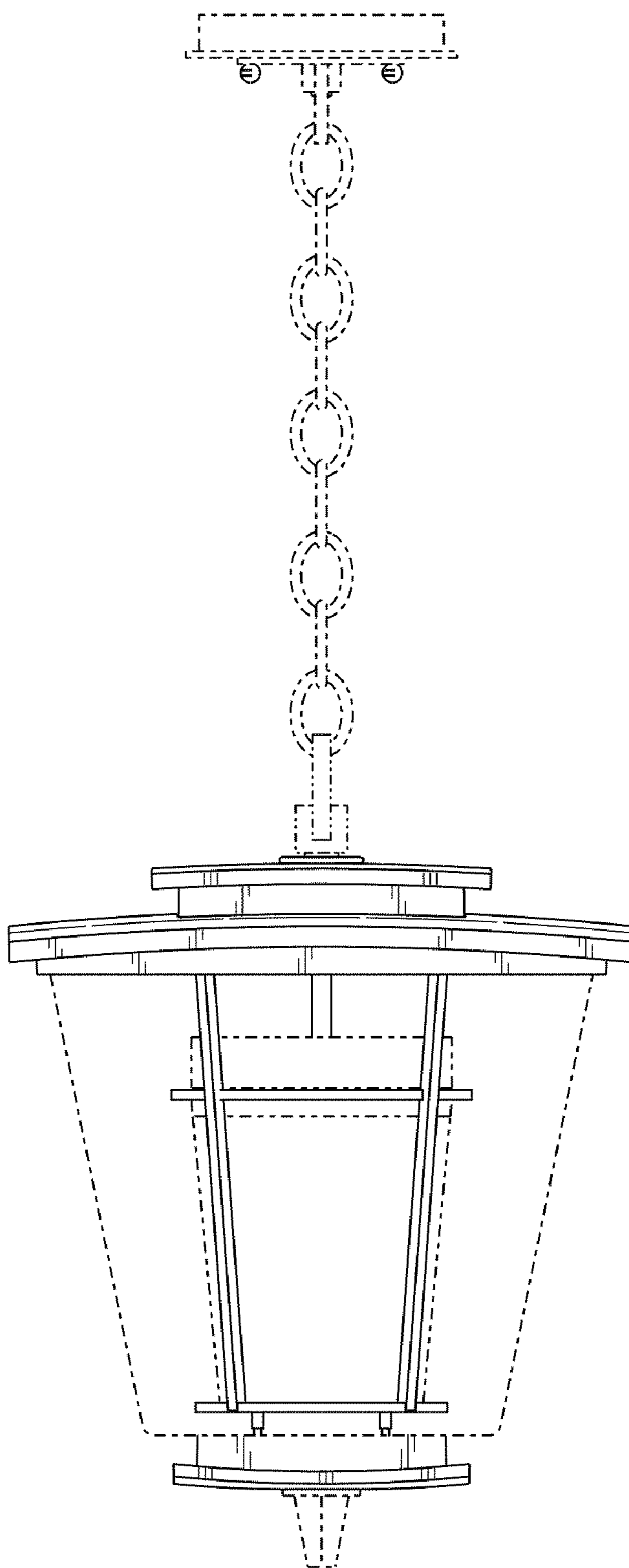


FIG. 4

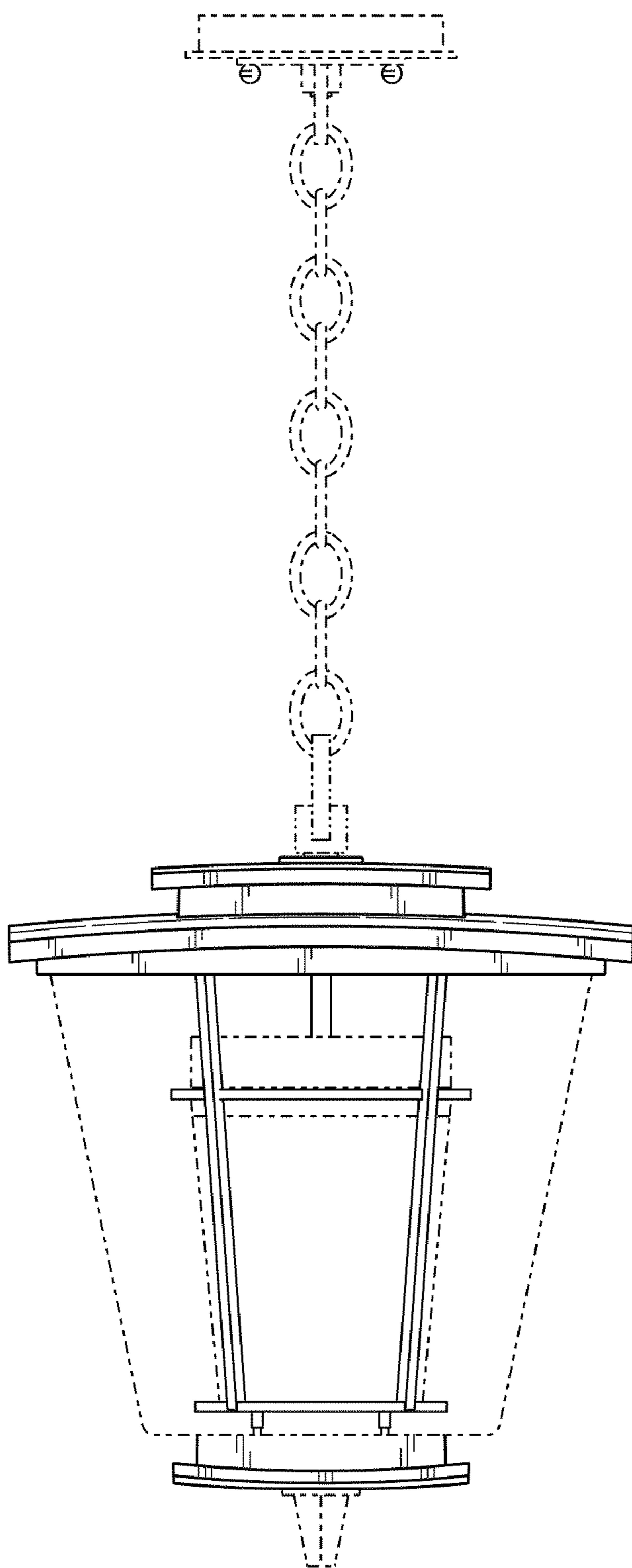


FIG. 5

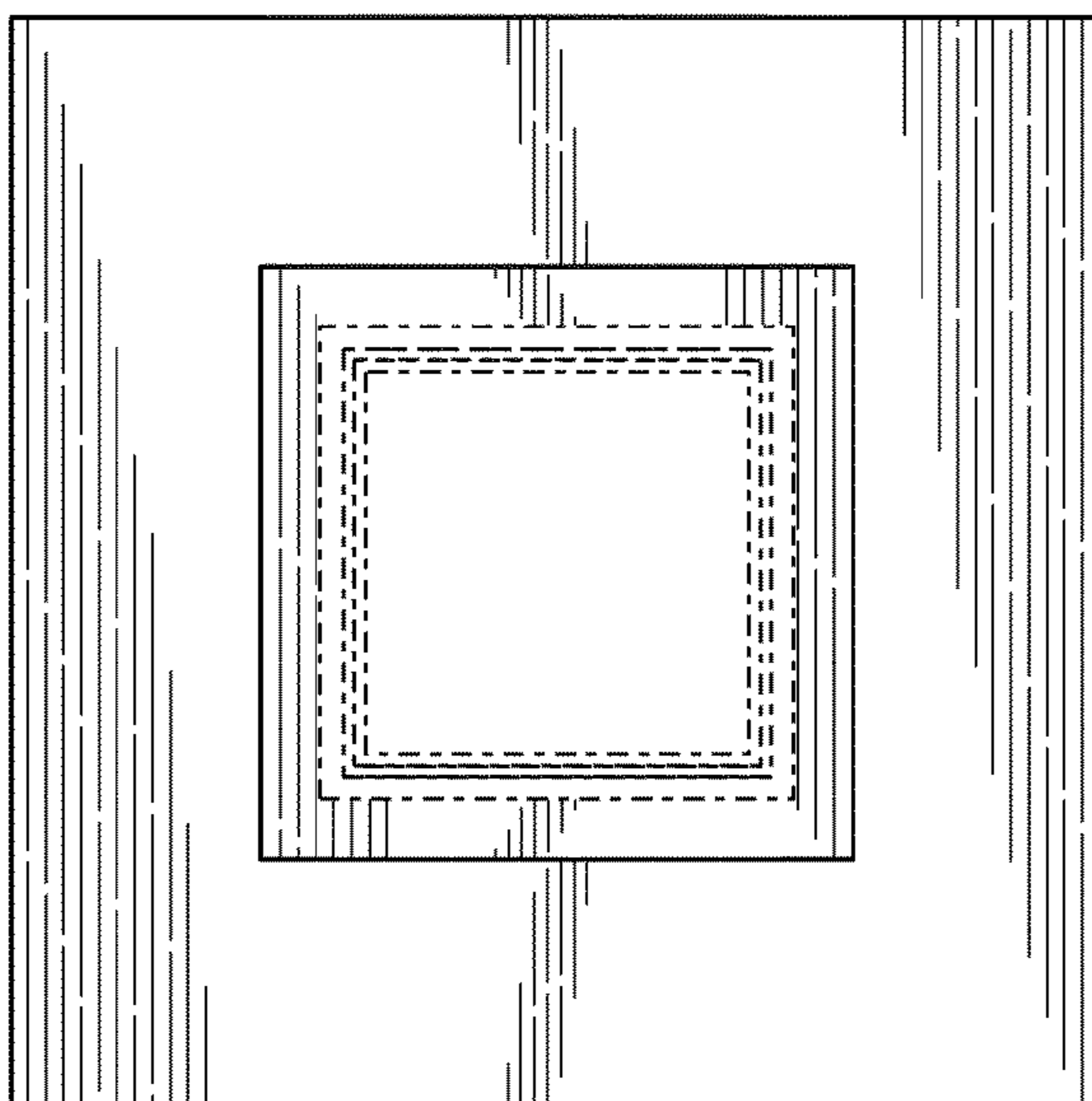


FIG. 6

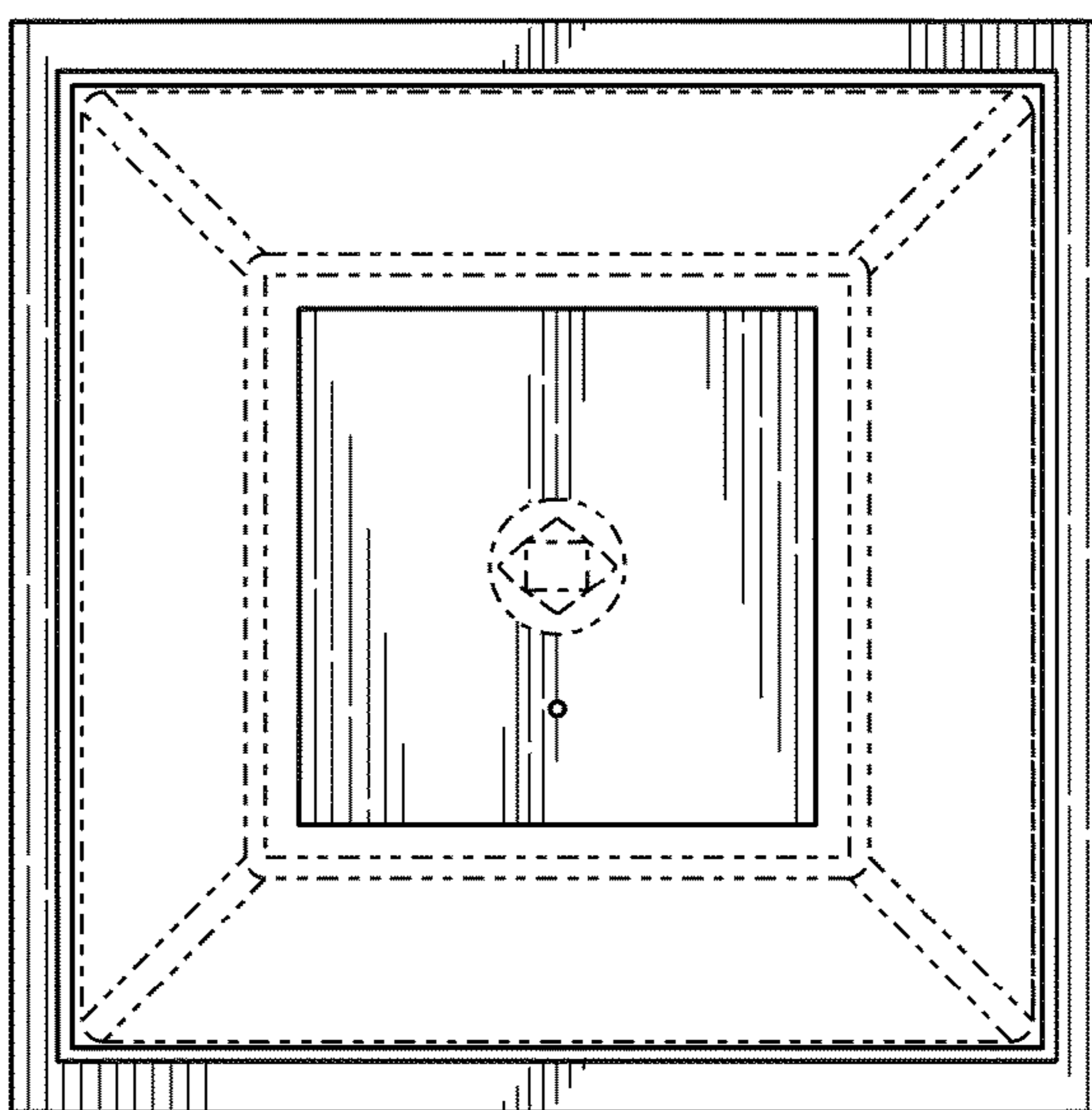


FIG. 7