



US00D651736S

(12) **United States Design Patent**
McGowan

(10) **Patent No.:** **US D651,736 S**

(45) **Date of Patent:** **** Jan. 3, 2012**

(54) **OAR LAMP**

(76) Inventor: **John McGowan**, Stamford, CT (US)

(**) Term: **14 Years**

(21) Appl. No.: **29/380,874**

(22) Filed: **Dec. 13, 2010**

(51) **LOC (9) Cl.** **26-03**

(52) **U.S. Cl.** **D26/84; D26/90; D26/73**

(58) **Field of Classification Search** D26/73,
D26/75, 76, 80-91; 362/147, 404-408, 217.01
See application file for complete search history.

Speranza light fixture shown on p. 43 and 44 of the Eurofase Illuminations Supplement #EF10. © 2011. (2 pages).*

* cited by examiner

Primary Examiner — Clare E Heflin

(74) *Attorney, Agent, or Firm* — Ohlandt, Greeley, Ruggiero & Perle, L.L.P.

(57) **CLAIM**

The ornamental design for an oar lamp, as shown and described.

(56) **References Cited**

U.S. PATENT DOCUMENTS

D90,881 S *	10/1933	Gruber	D26/73
D184,074 S *	12/1958	Thomas	D20/42
D314,059 S *	1/1991	O'Neil	D26/73
D592,787 S *	5/2009	Chandler	D26/81
D608,042 S *	1/2010	Wu et al.	D26/76
D619,750 S *	7/2010	Lewis	D26/86
D620,177 S *	7/2010	Sabernig	D26/84
D620,178 S *	7/2010	Sabernig	D26/84
D620,179 S *	7/2010	Sabernig	D26/84
D632,002 S *	2/2011	Dye	D26/73

OTHER PUBLICATIONS

Dana light fixture shown on p. 320 of the Eurofase Illuminations Catalog #EF-09. © 2009. (2 pages).*

DESCRIPTION

FIG. 1 is a top perspective view of an oar lamp of the present disclosure;

FIG. 2 is a bottom perspective view of the oar lamp of FIG. 1;

FIG. 3 is a top view of the oar lamp of FIG. 1;

FIG. 4 is a bottom view of the oar lamp of FIG. 1;

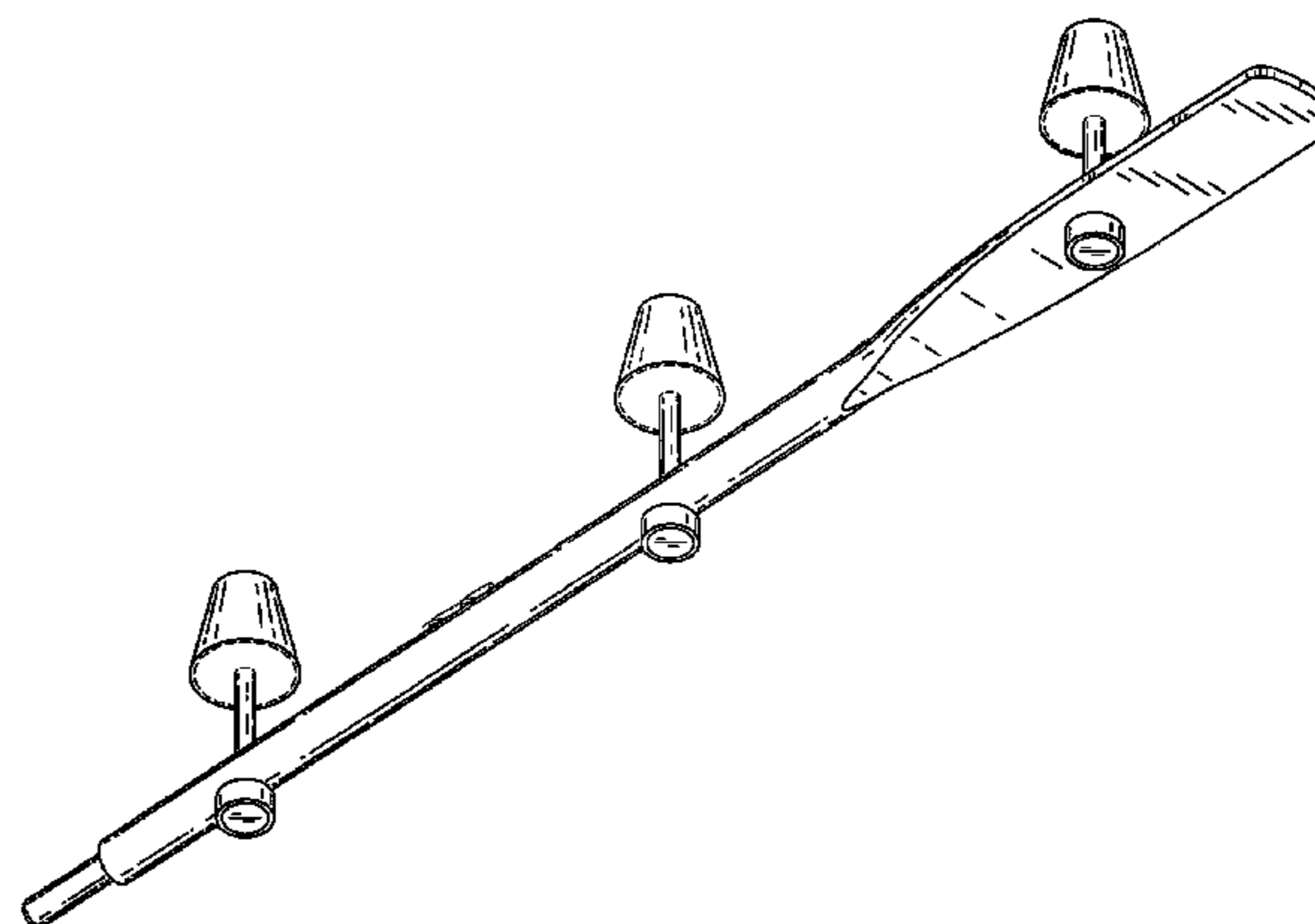
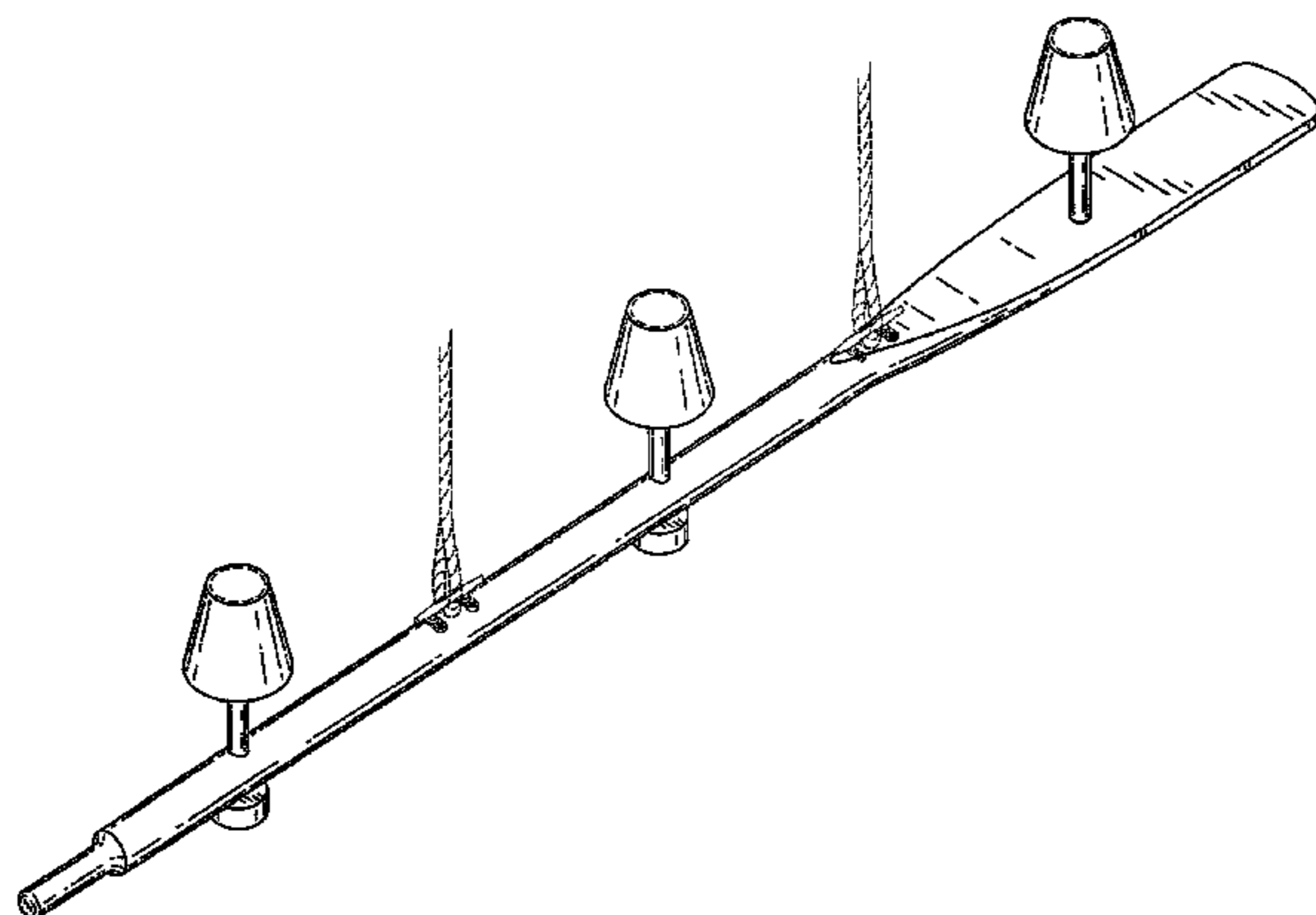
FIG. 5 is a side elevation view of the oar lamp of FIG. 1; the opposite side view being a mirror image thereto;

FIG. 6 is a front view of the oar lamp of FIG. 1; and,

FIG. 7 is a rear view of the oar lamp of FIG. 1.

The broken lines shown in the drawings are directed to environmental structure and are for illustrative purposes only; the broken lines form no part of the claimed design.

1 Claim, 4 Drawing Sheets



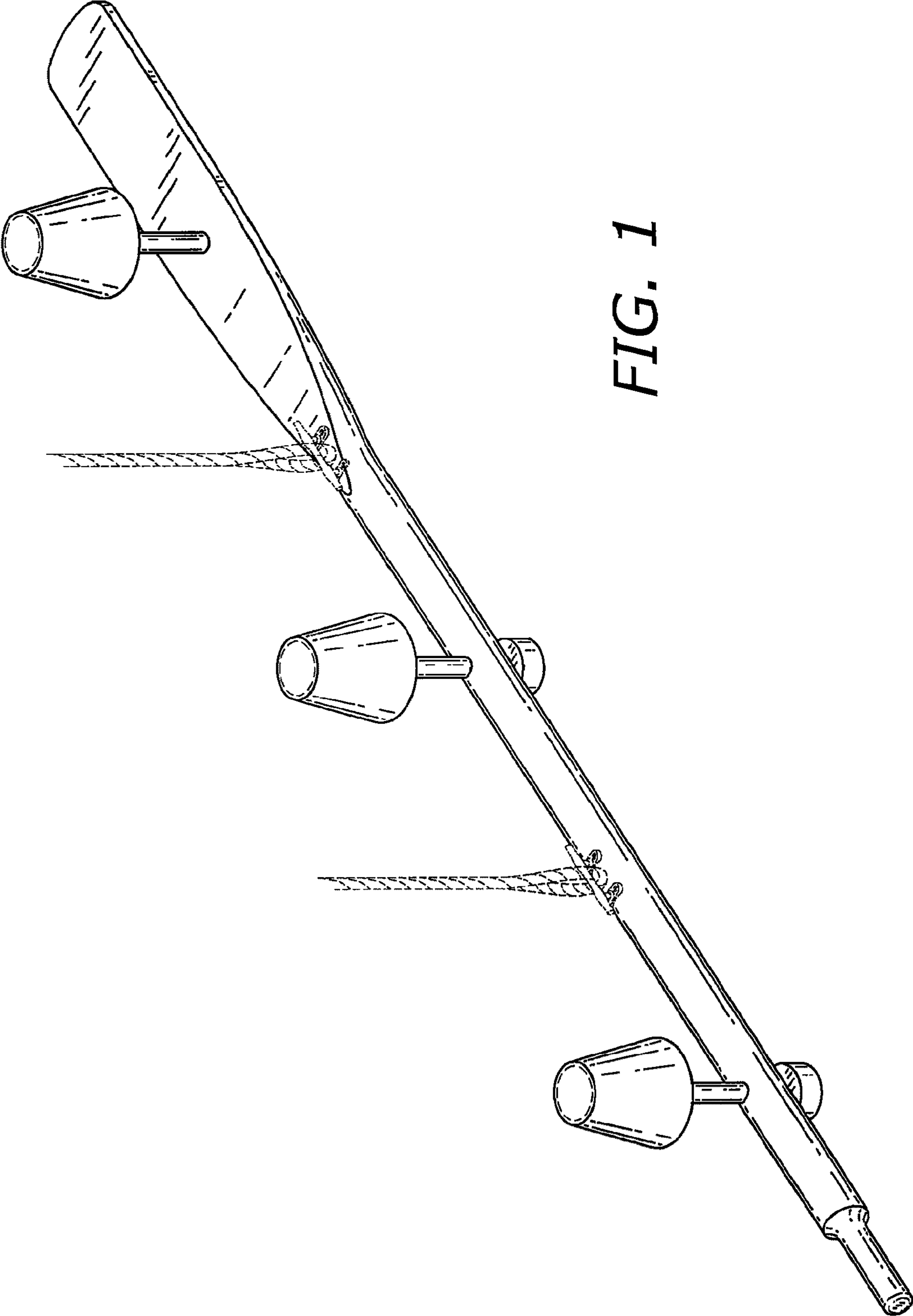


FIG. 1

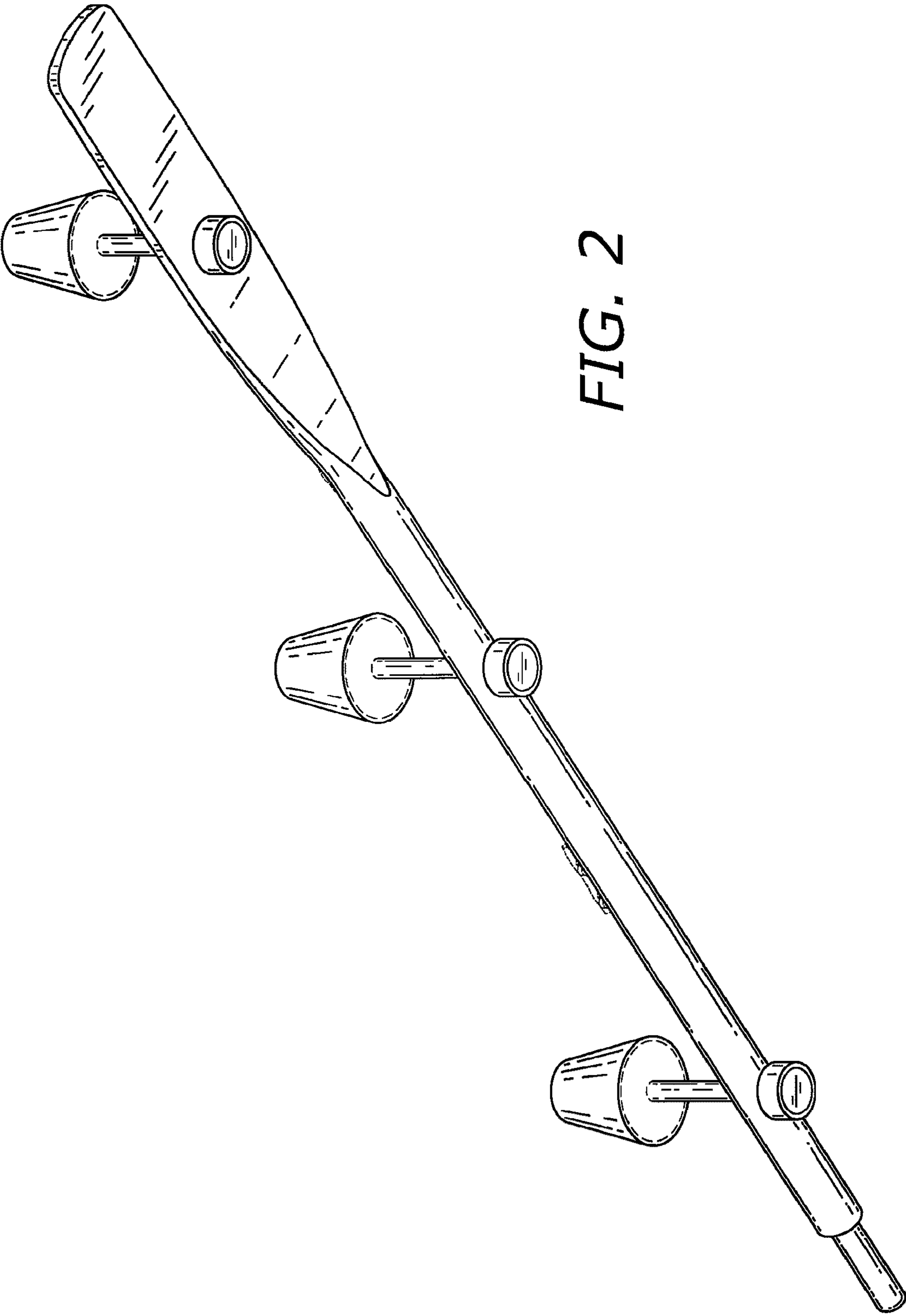


FIG. 2

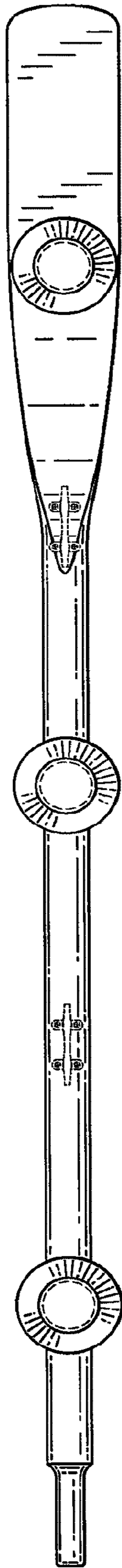


FIG. 3

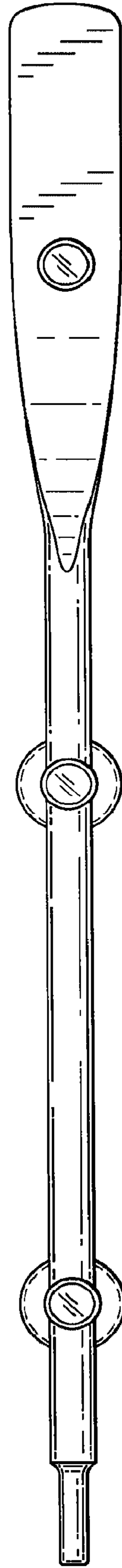


FIG. 4

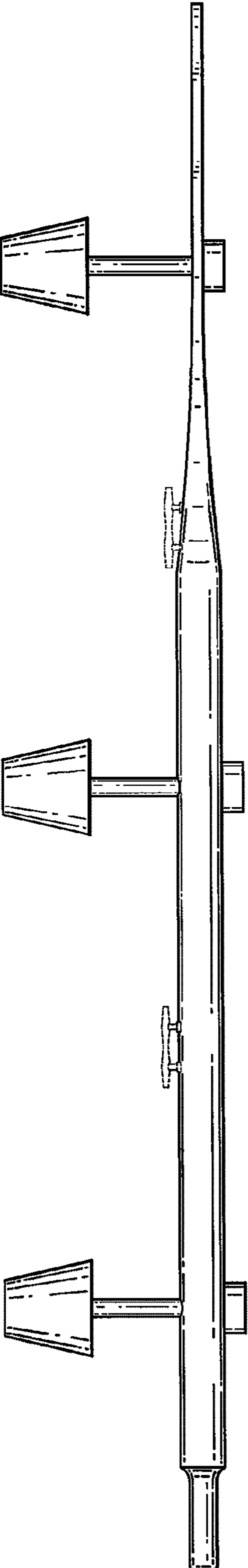


FIG. 5

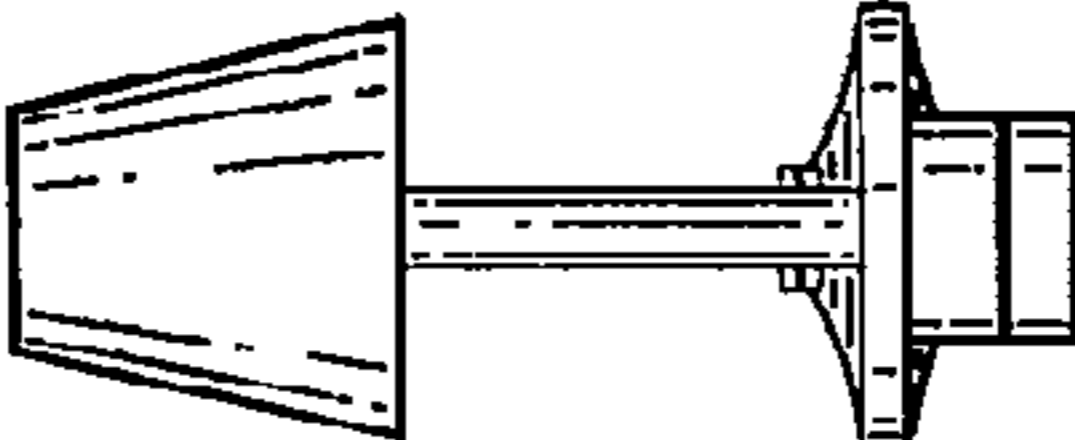


FIG. 6

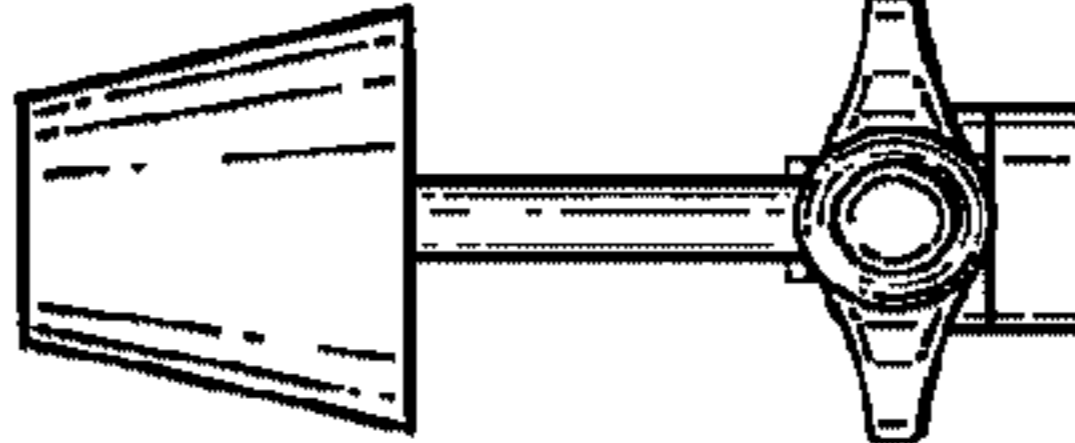


FIG. 7