



US00D651733S

(12) **United States Design Patent**
Becker

(10) **Patent No.:** **US D651,733 S**
(45) **Date of Patent:** **** Jan. 3, 2012**

(54) **LIGHT**

(75) Inventor: **Siegfried Becker**, Düsseldorf (DE)

(73) Assignee: **BA*RO GmbH & Co. KG**, Leichlingen (DE)

(**) Term: **14 Years**

(21) Appl. No.: **29/366,642**

(22) Filed: **Jul. 28, 2010**

(30) **Foreign Application Priority Data**

Jan. 29, 2010 (DE) 001192371

(51) **LOC (9) Cl.** **26-05**

(52) **U.S. Cl.** **D26/63**

(58) **Field of Classification Search** D26/60-66,
D26/72, 76-88, 92; 362/311.13, 145, 147,
362/148, 150, 211-215, 640, 647, 648, 653,
362/227, 232, 233, 235, 249.03, 249.06,
362/249.07, 249.09, 249.11, 249.1, 249.14,
362/267-272, 277, 278, 282-287, 362, 364,
362/365, 368, 370-372, 404, 406, 408, 413,
362/418, 427, 430, 432, 433, 257, 419

See application file for complete search history.

(56) **References Cited**

U.S. PATENT DOCUMENTS

D365,407	S	*	12/1995	Jandrisits et al.	D26/63
D370,069	S	*	5/1996	Mier-Langner et al.	D26/63
D370,990	S	*	6/1996	Lin	D26/63
6,004,005	A	*	12/1999	Demshki, Jr.	362/238
D493,905	S	*	8/2004	Lin	D26/63
D580,585	S	*	11/2008	Otero	D26/88
D615,229	S	*	5/2010	van Klinken	D26/63
D615,230	S	*	5/2010	van Klinken	D26/63
D625,871	S	*	10/2010	Huang	D26/63

OTHER PUBLICATIONS

Huntway® LED Track Lights annotated on p. 1 of 2. © 2009.
[Retrieved on Mar. 25, 2011]. Retrieved from the Internet <URL:
<http://www.led-tubes-lights.com/ks-led-track-light/>>.*

* cited by examiner

Primary Examiner — Susan M Lee

Assistant Examiner — Linda G. Brooks

(74) *Attorney, Agent, or Firm* — Berenato & White, LLC

(57) **CLAIM**

The ornamental design for a light, as shown and described.

DESCRIPTION

FIG. 1 is a left side perspective view of a first embodiment of my new design;

FIG. 2 is a left side elevational view thereof;

FIG. 3 is a right side elevational thereof;

FIG. 4 is a bottom plan view thereof, with unclaimed features shown in broken lines;

FIG. 5 is a top plan view thereof;

FIG. 6 is a front elevational view thereof;

FIG. 7 is a rear elevational view thereof;

FIG. 8 is another left side perspective view of my new design;

FIG. 9 is a left side elevational view thereof;

FIG. 10 is a right side elevational view thereof;

FIG. 11 is a bottom plan view thereof;

FIG. 12 is a top plan view thereof;

FIG. 13 is a front elevational view thereof;

FIG. 14 is a rear elevational view thereof;

FIG. 15 is another left side perspective view of my new design;

FIG. 16 is a left side elevational view thereof;

FIG. 17 is a right side elevational view thereof;

FIG. 18 is a bottom plan view thereof, with unclaimed features shown in broken lines;

FIG. 19 is a top plan view thereof;

FIG. 20 is a front elevational view thereof;

FIG. 21 is a rear elevational view thereof;

FIG. 22 is a left side perspective view of a second embodiment of my new design;

FIG. 23 is a left side elevational view thereof;

FIG. 24 is a right side elevational view thereof;

FIG. 25 is a bottom plan view thereof, with unclaimed features shown in broken lines;

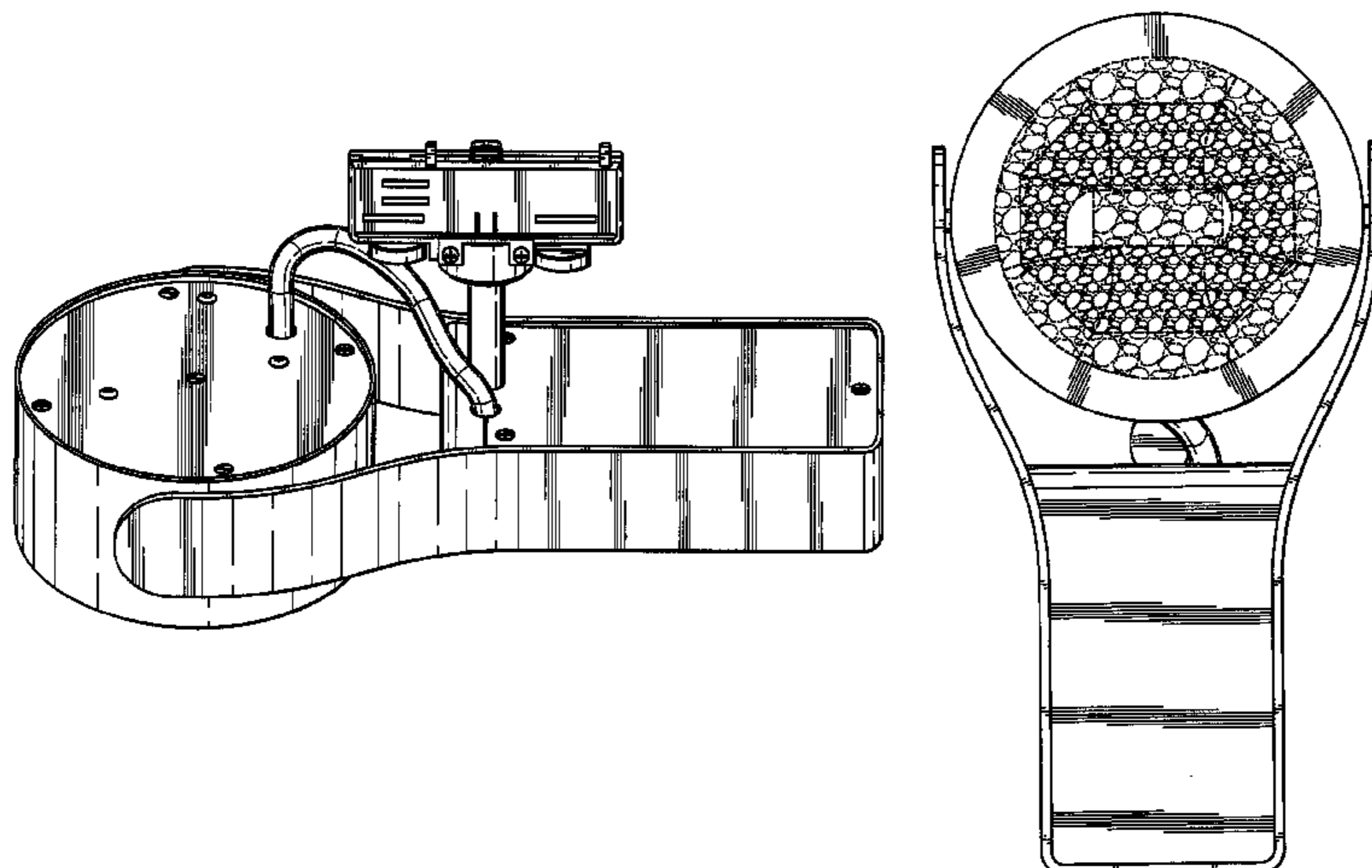
FIG. 26 is a top plan view thereof;

FIG. 27 is a front elevational view thereof; and,

FIG. 28 is a rear elevational view thereof.

The broken lines illustrate unclaimed portions of the light.

1 Claim, 28 Drawing Sheets



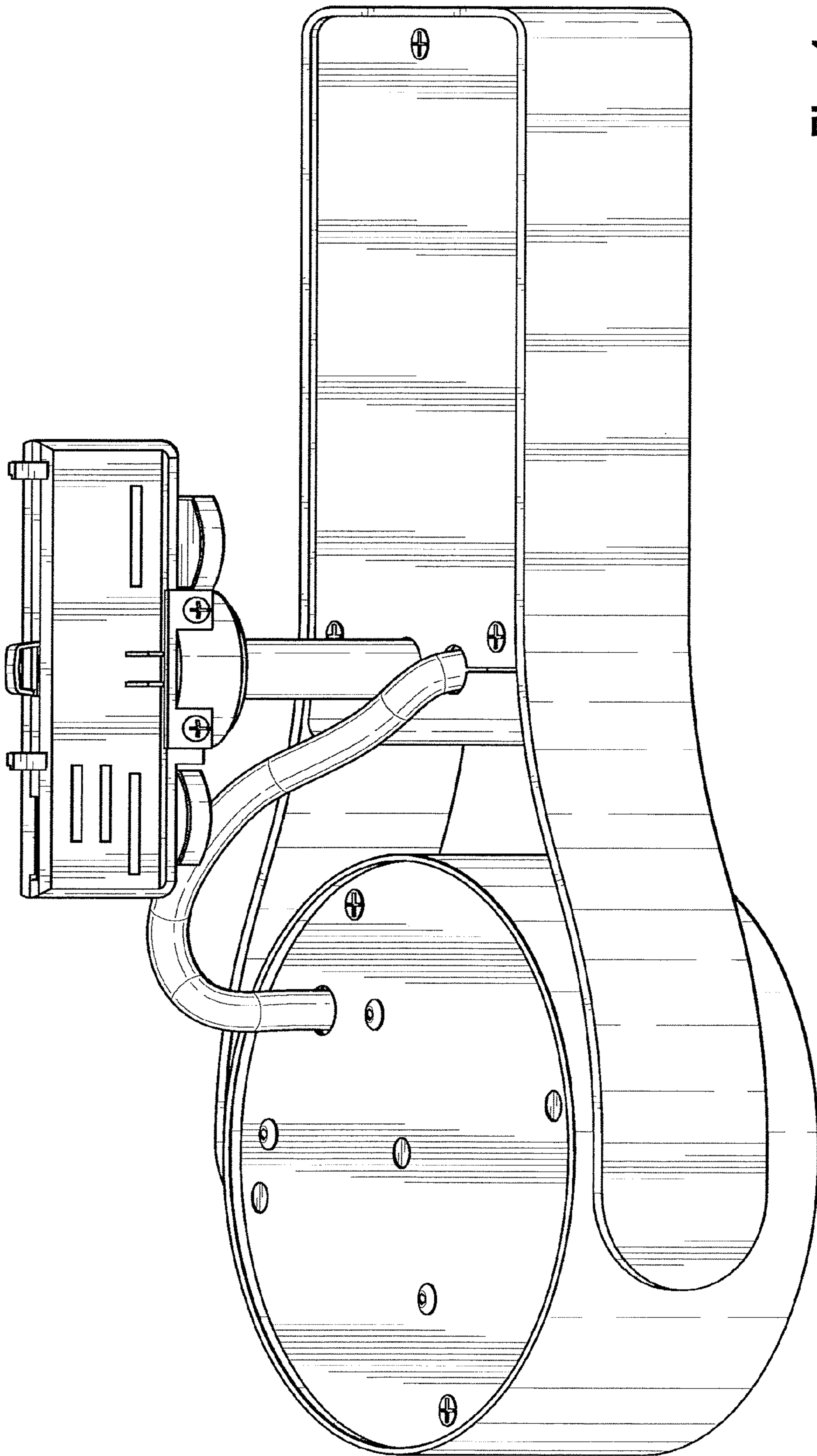


Fig. 1

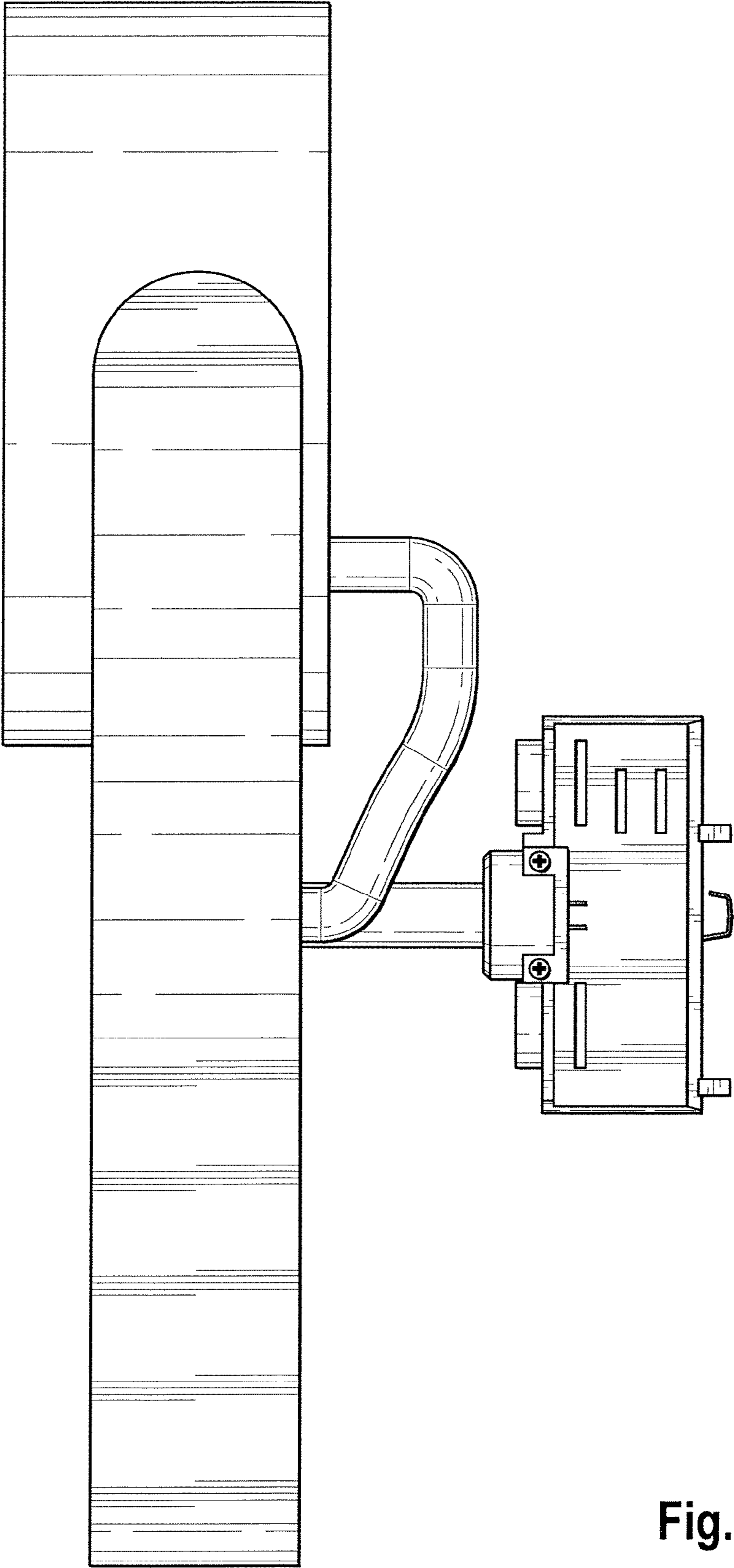


Fig. 2

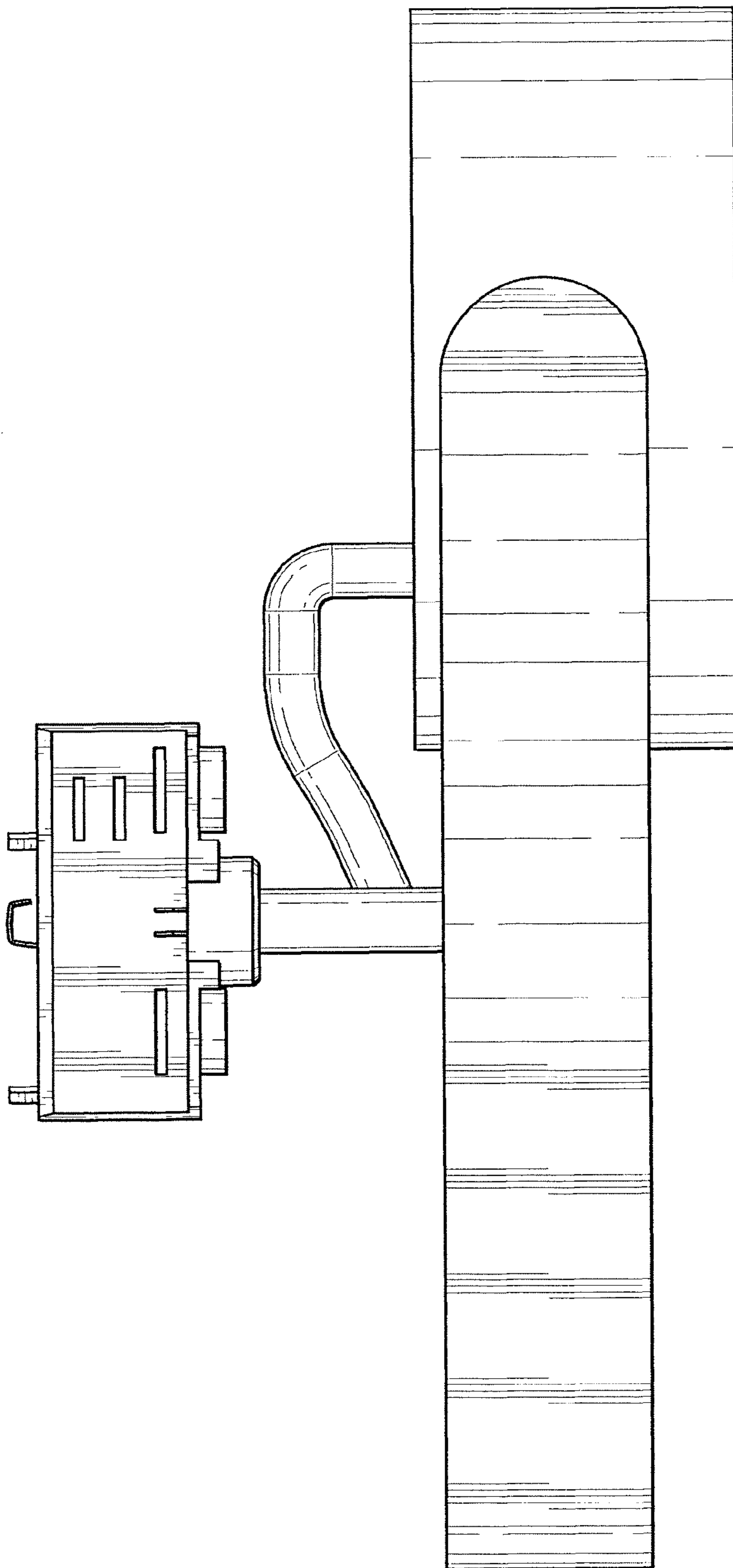


Fig. 3

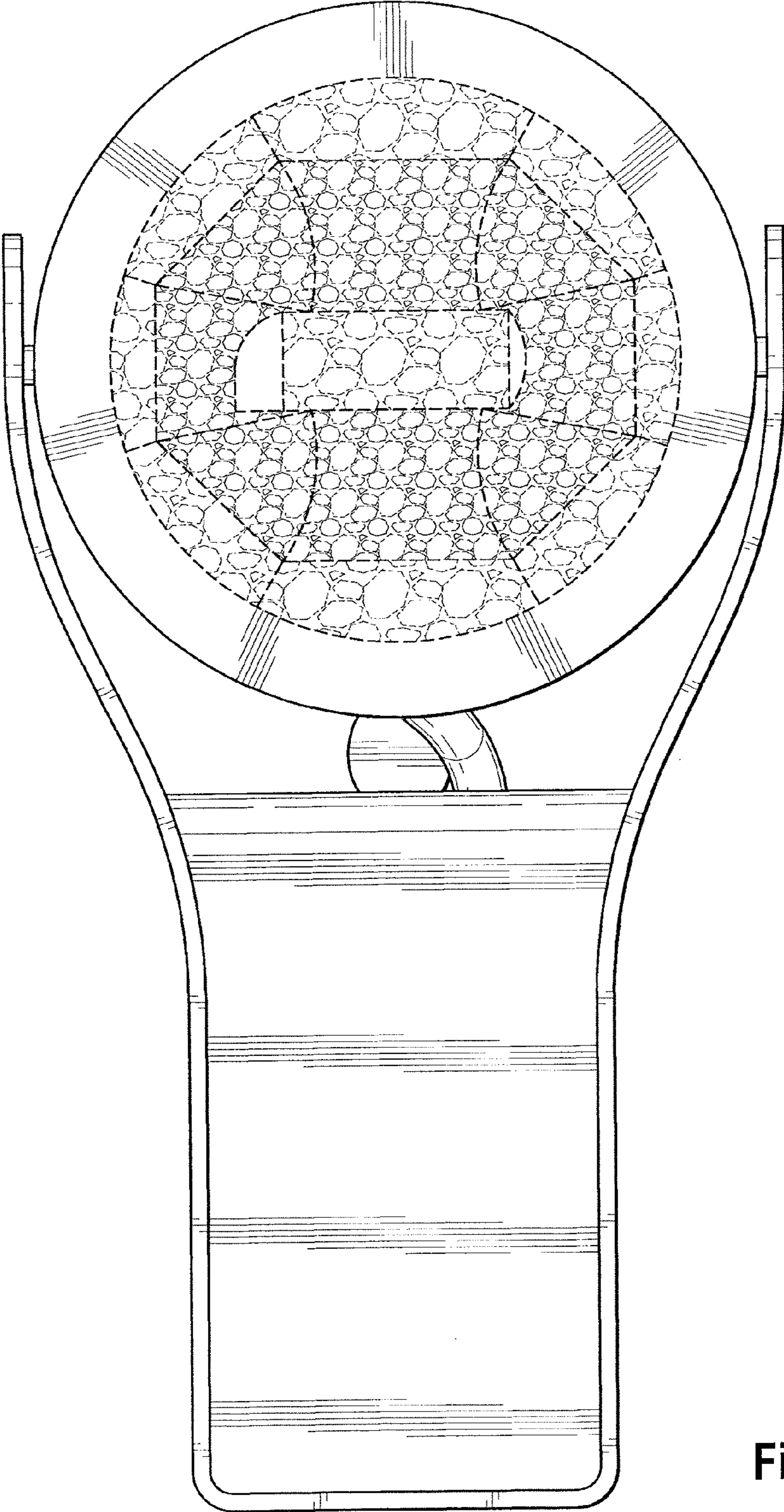


Fig. 4

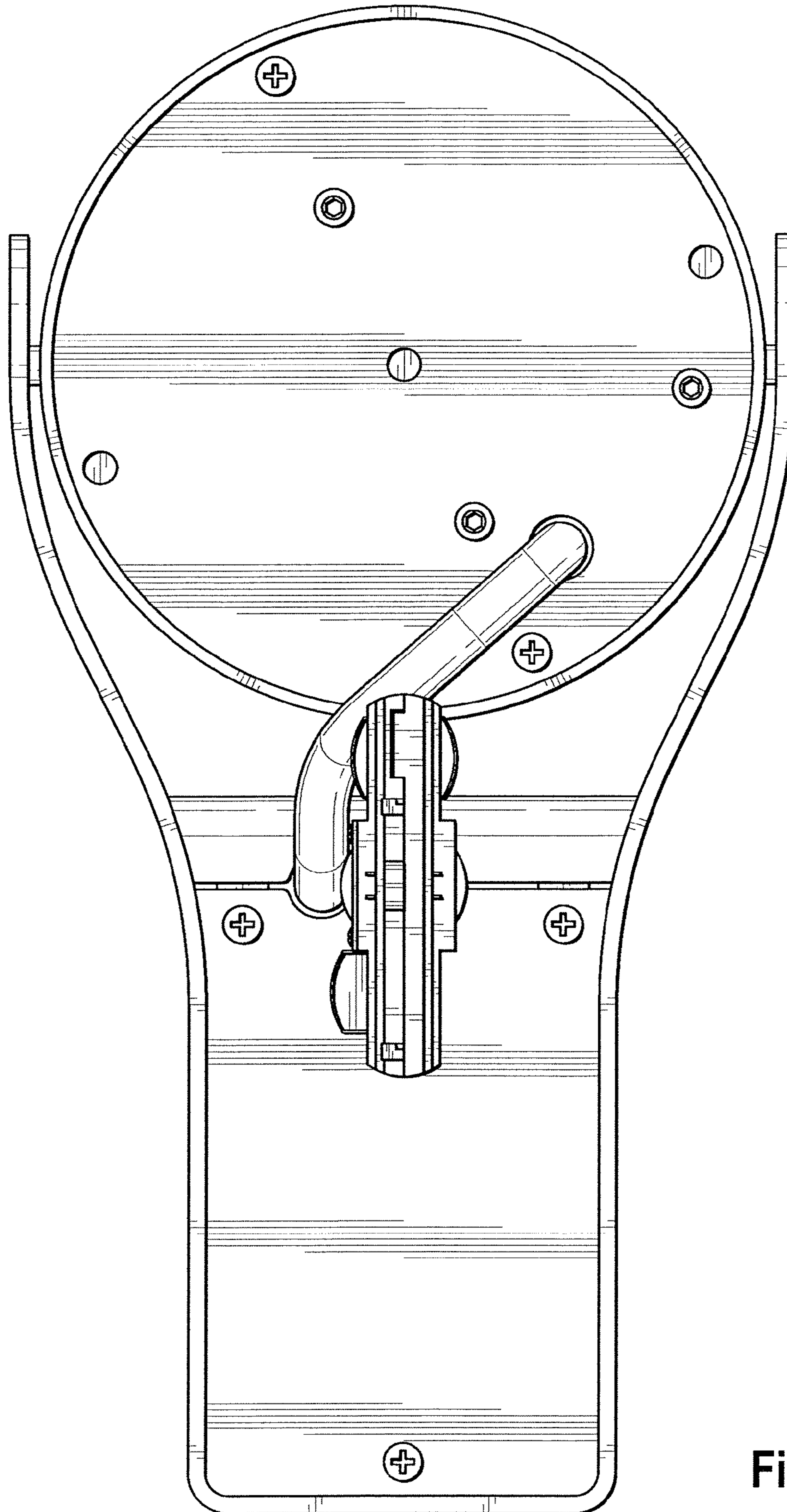


Fig. 5

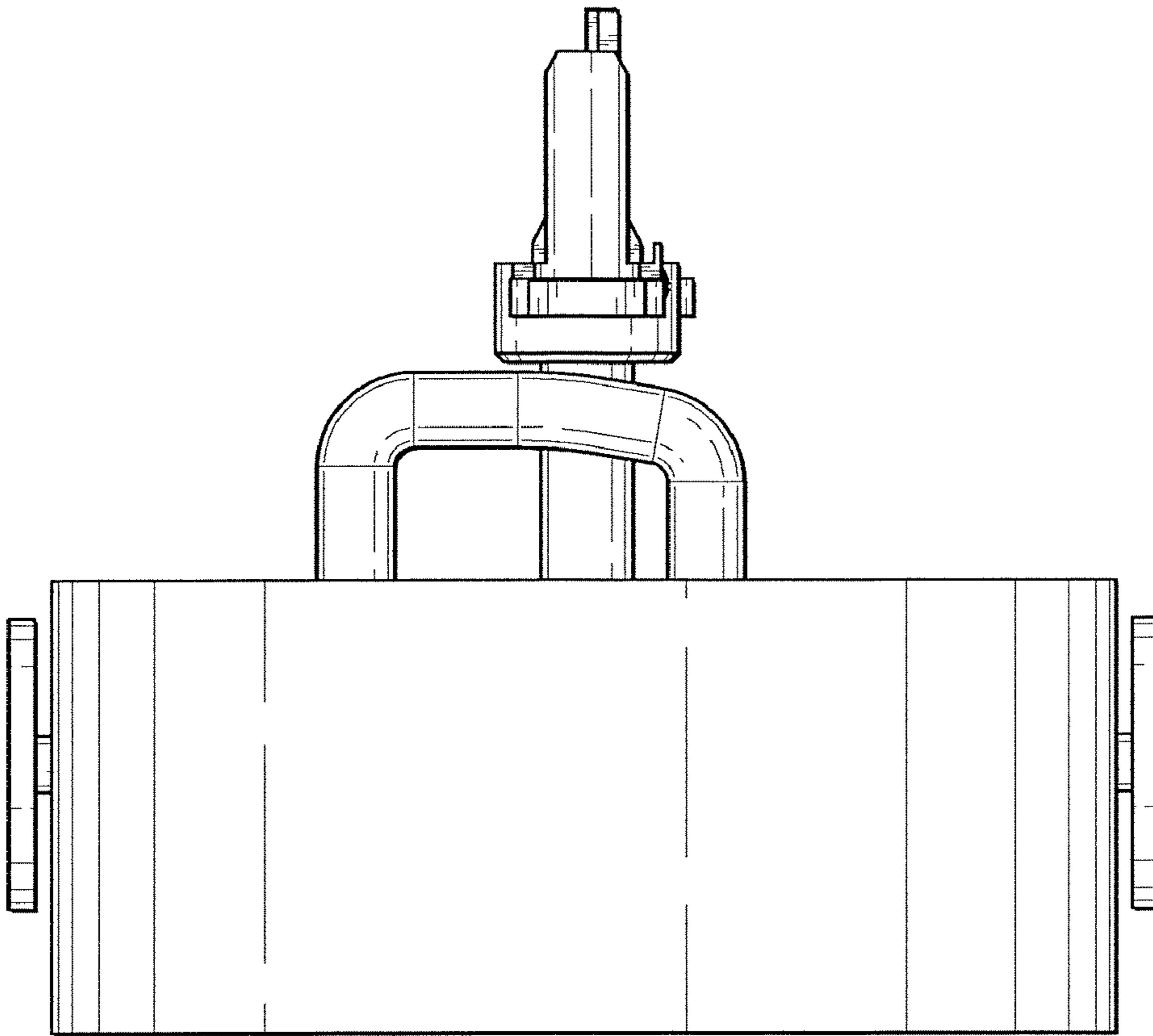


Fig. 6

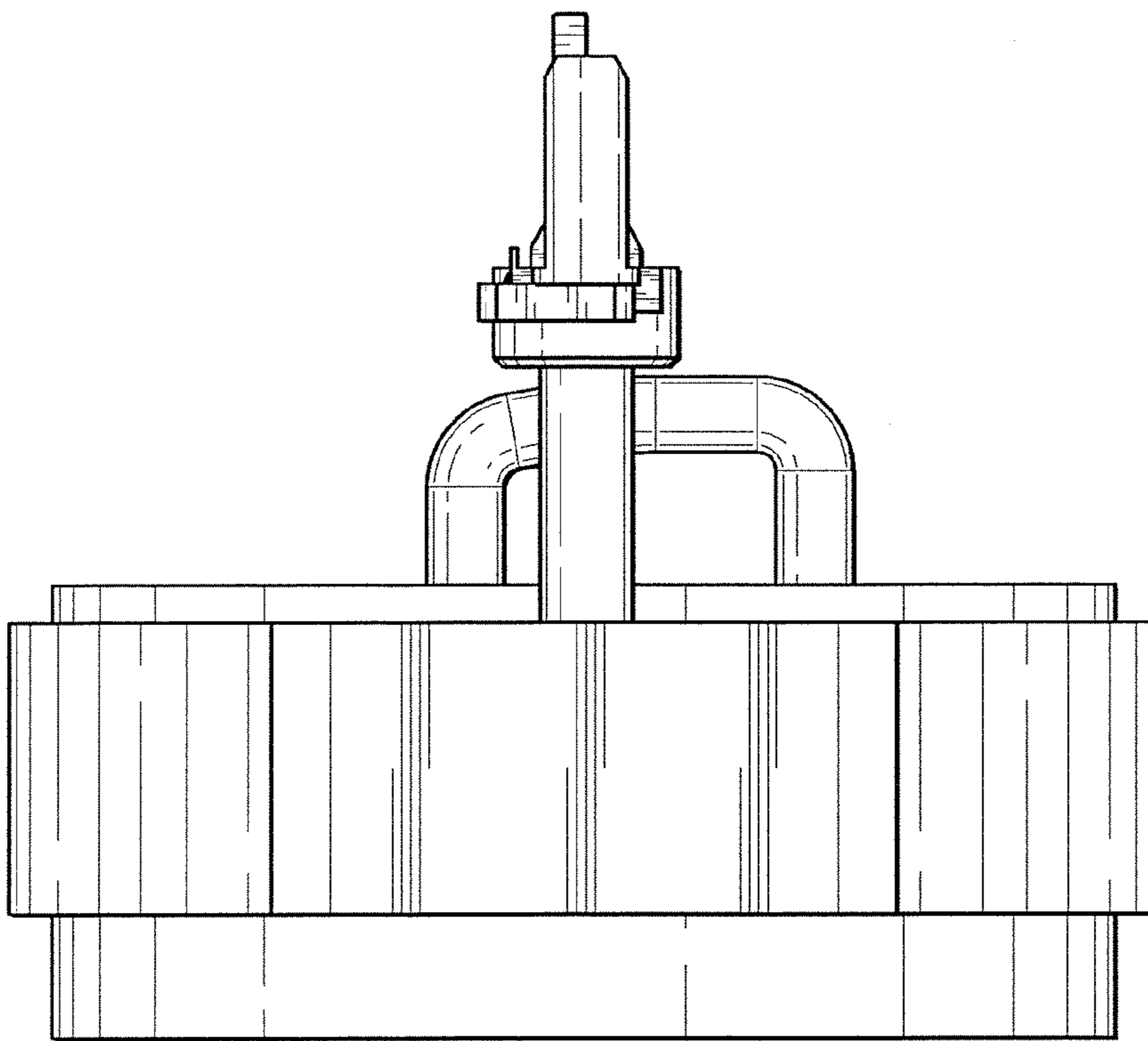


Fig. 7

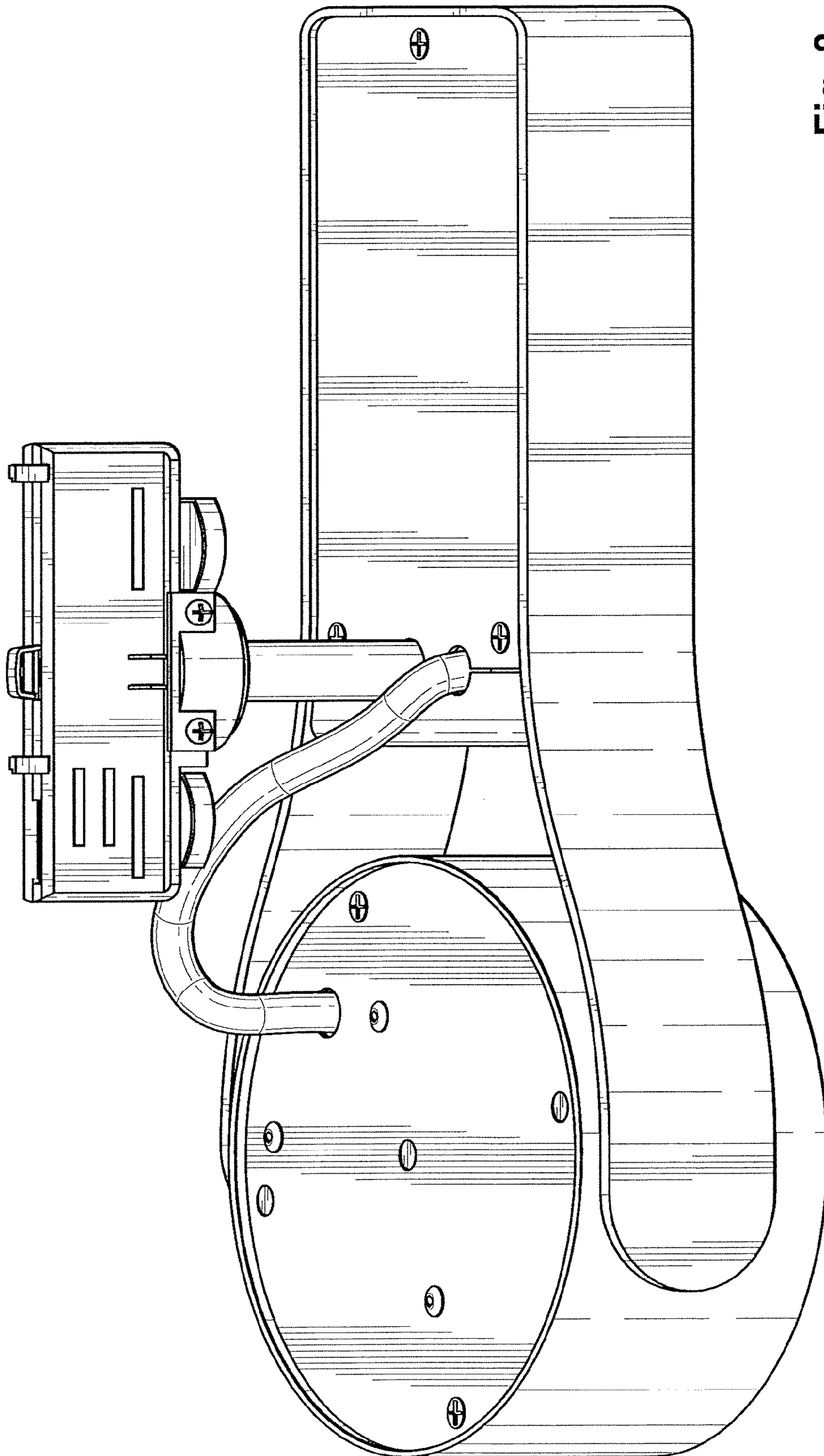


Fig. 8

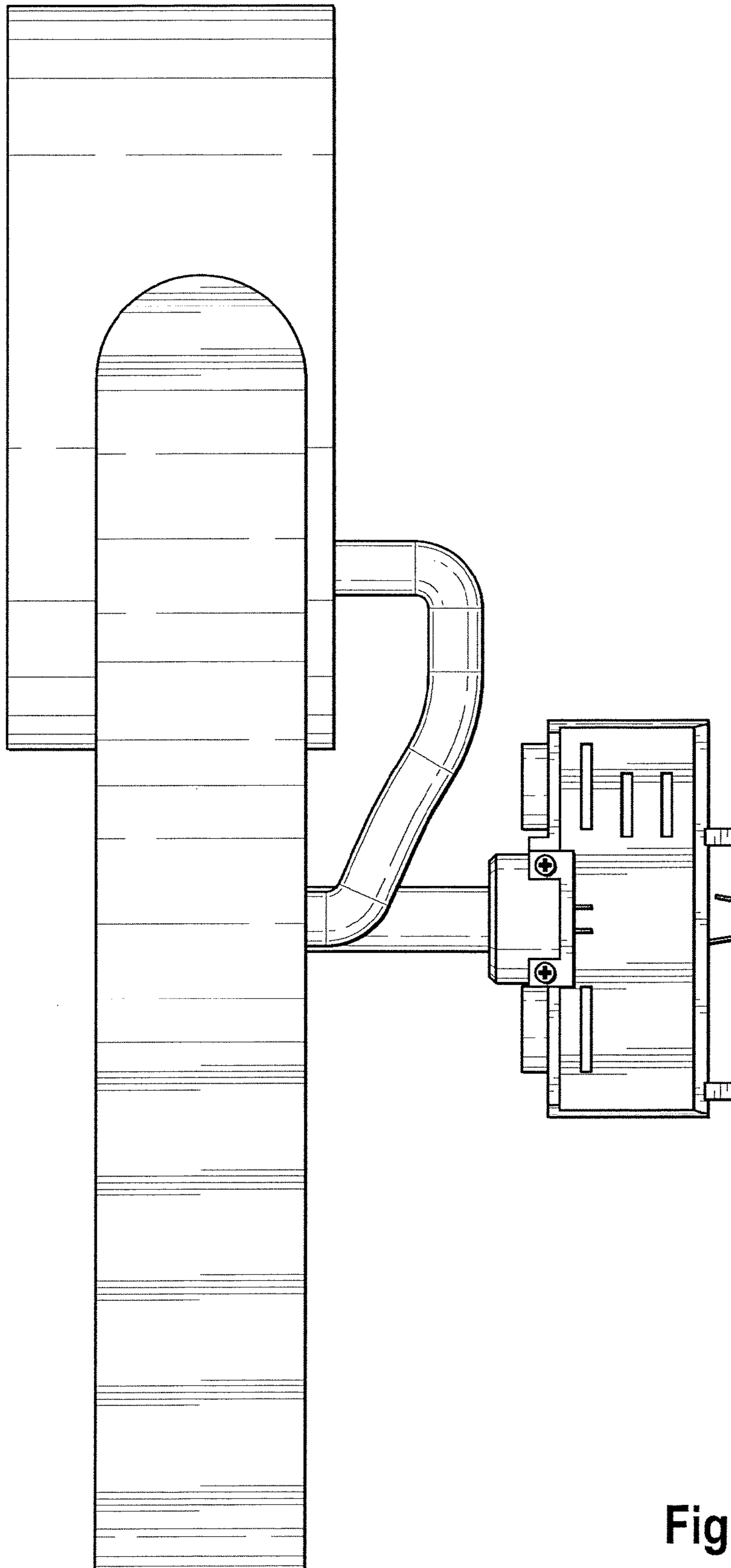


Fig. 9

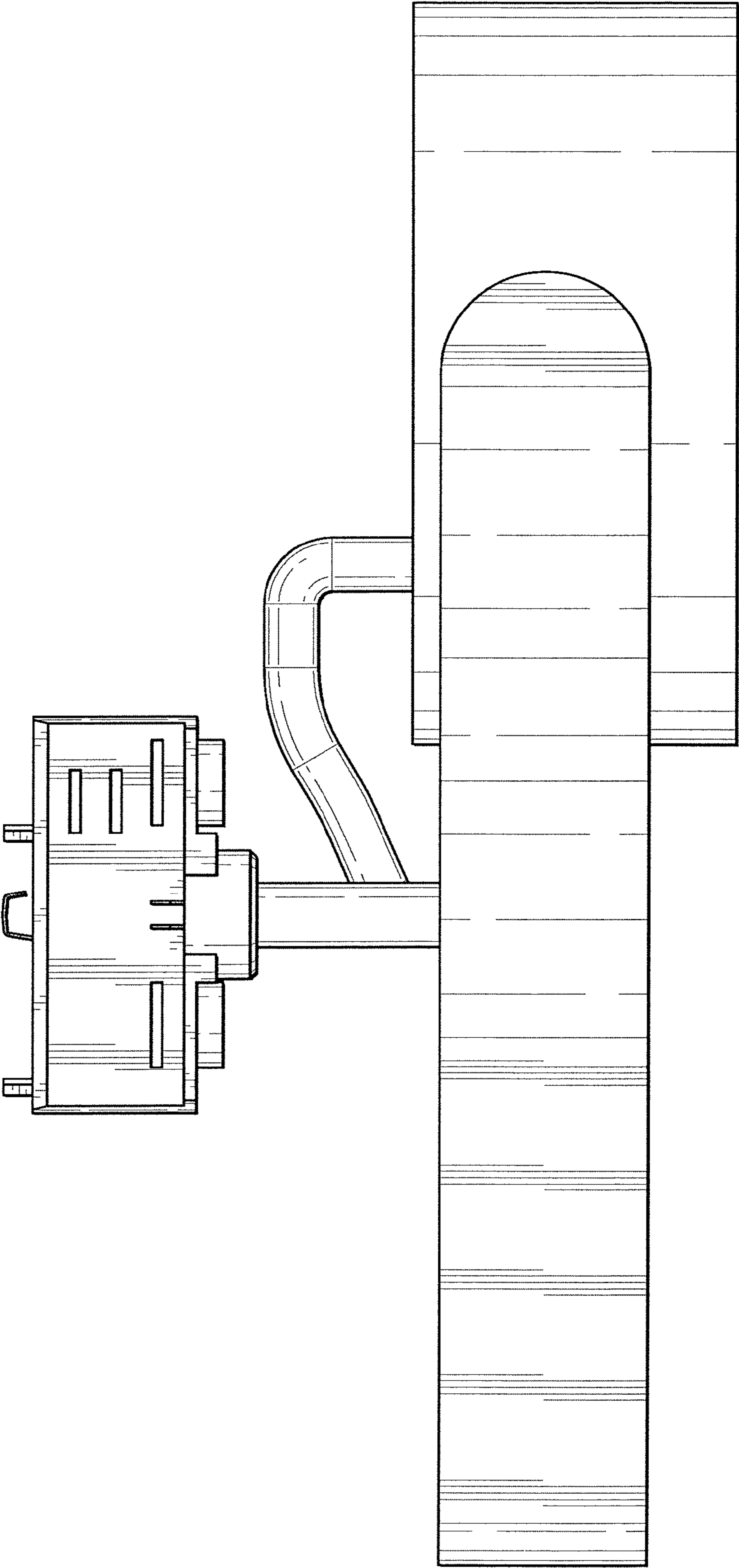


Fig. 10

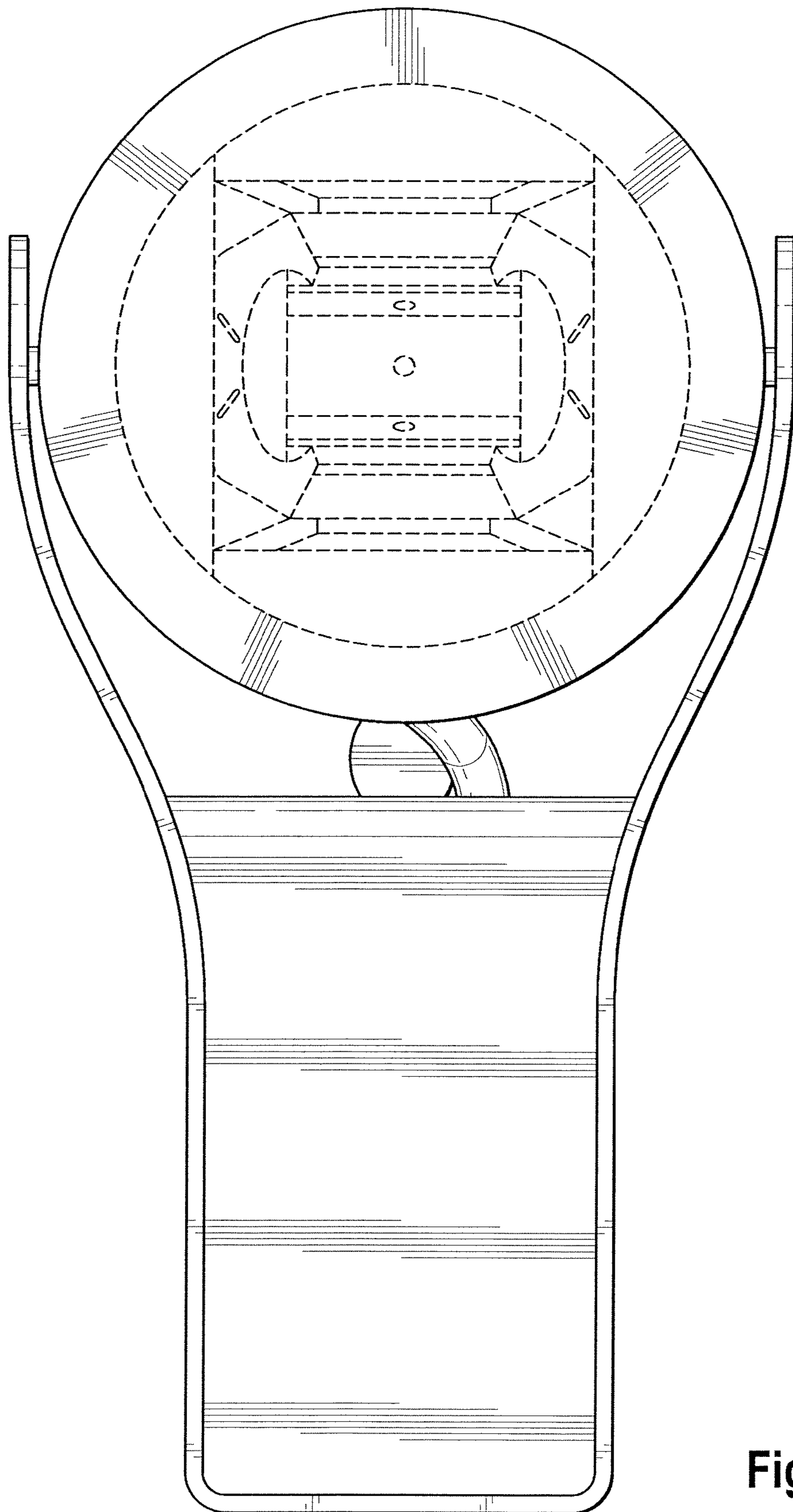


Fig. 11

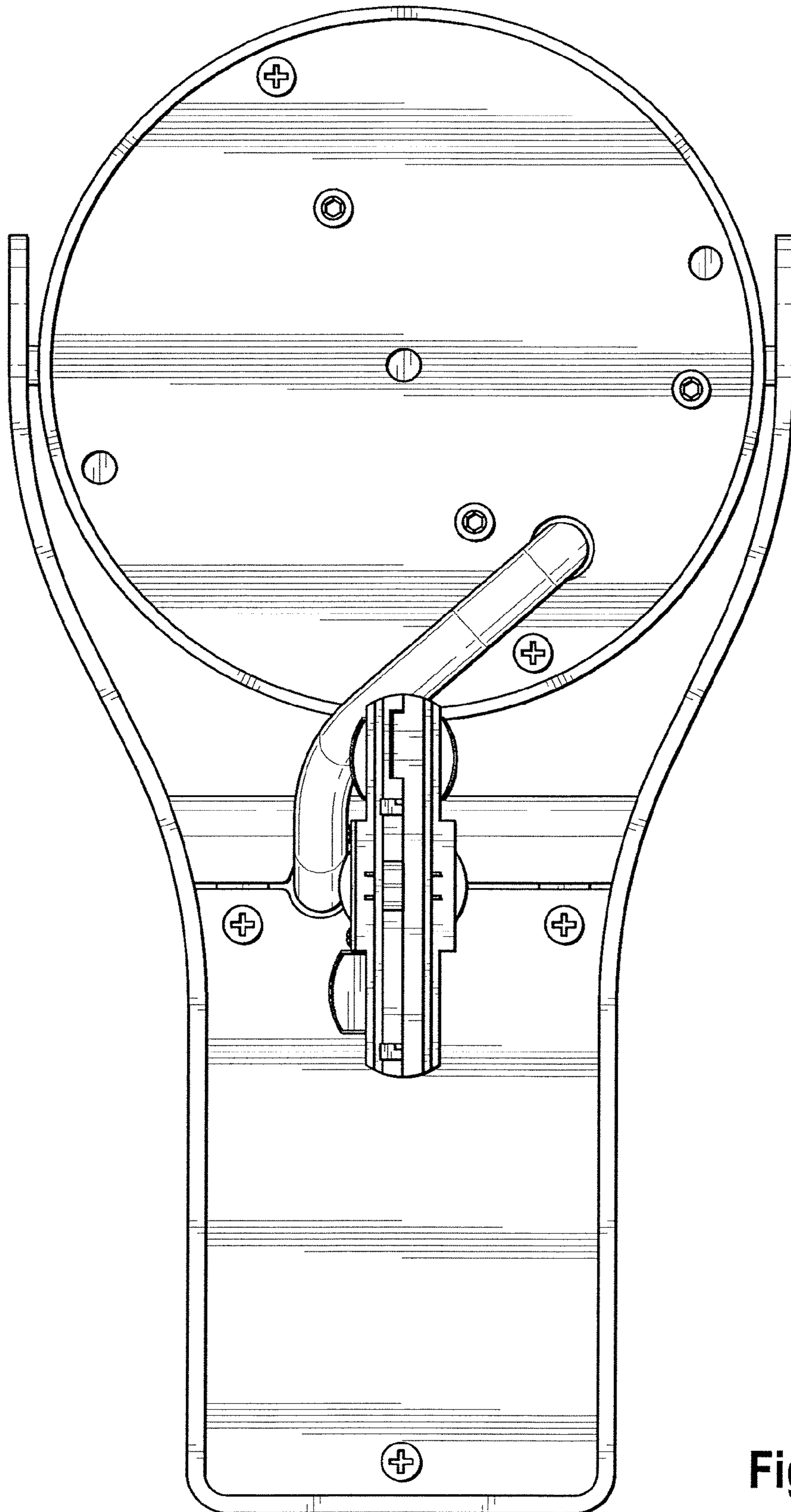


Fig. 12

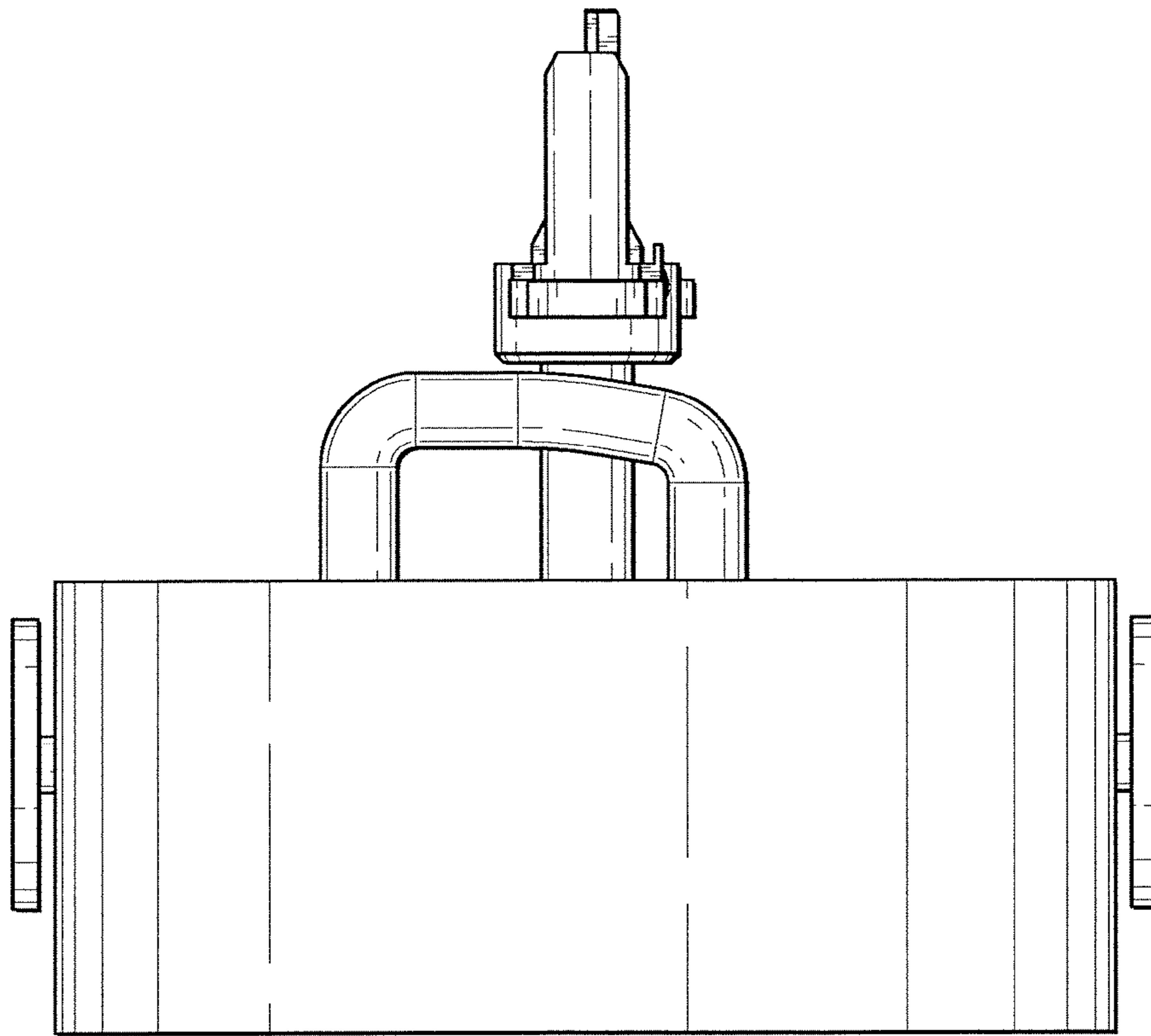


Fig. 13

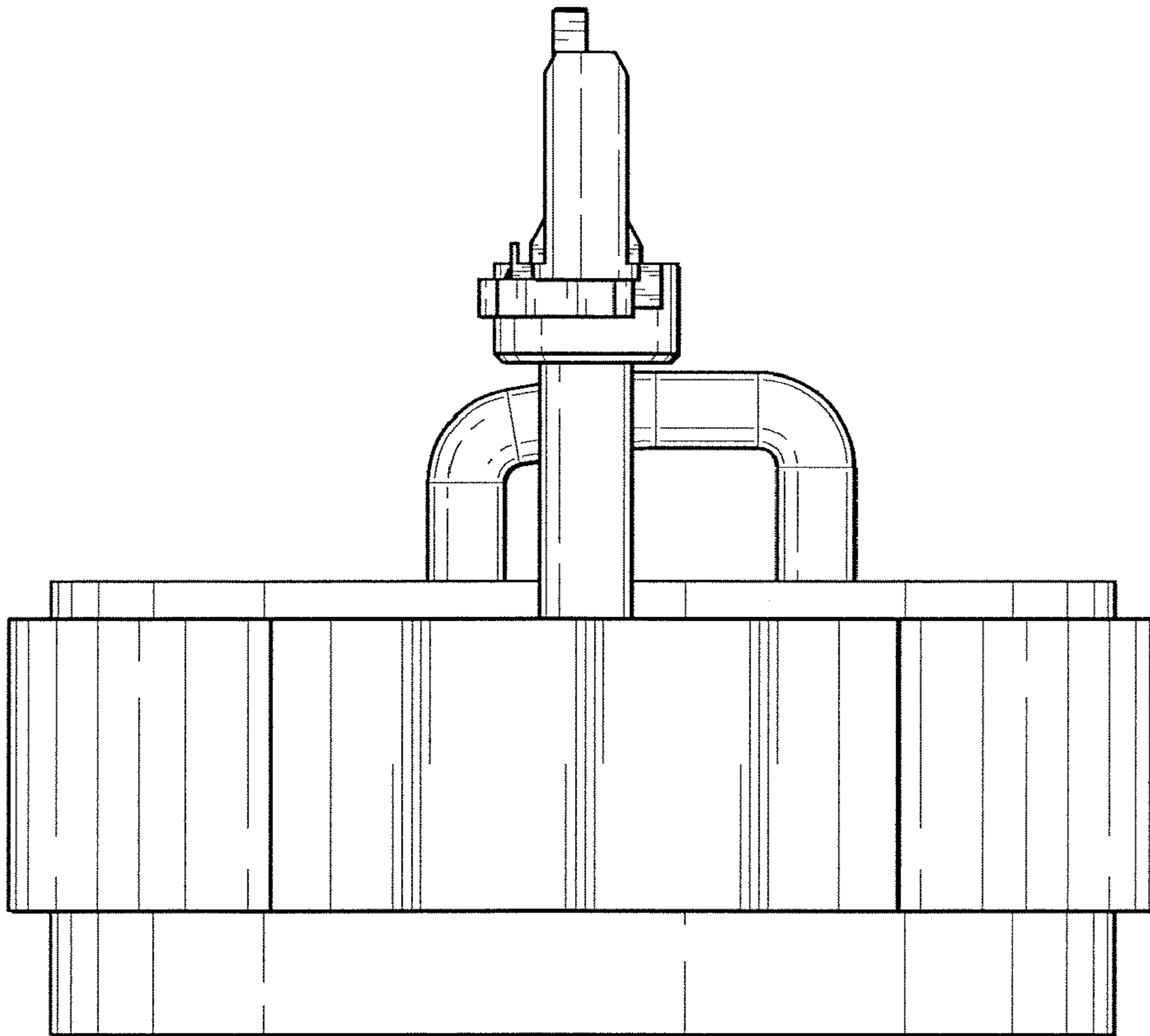


Fig. 14

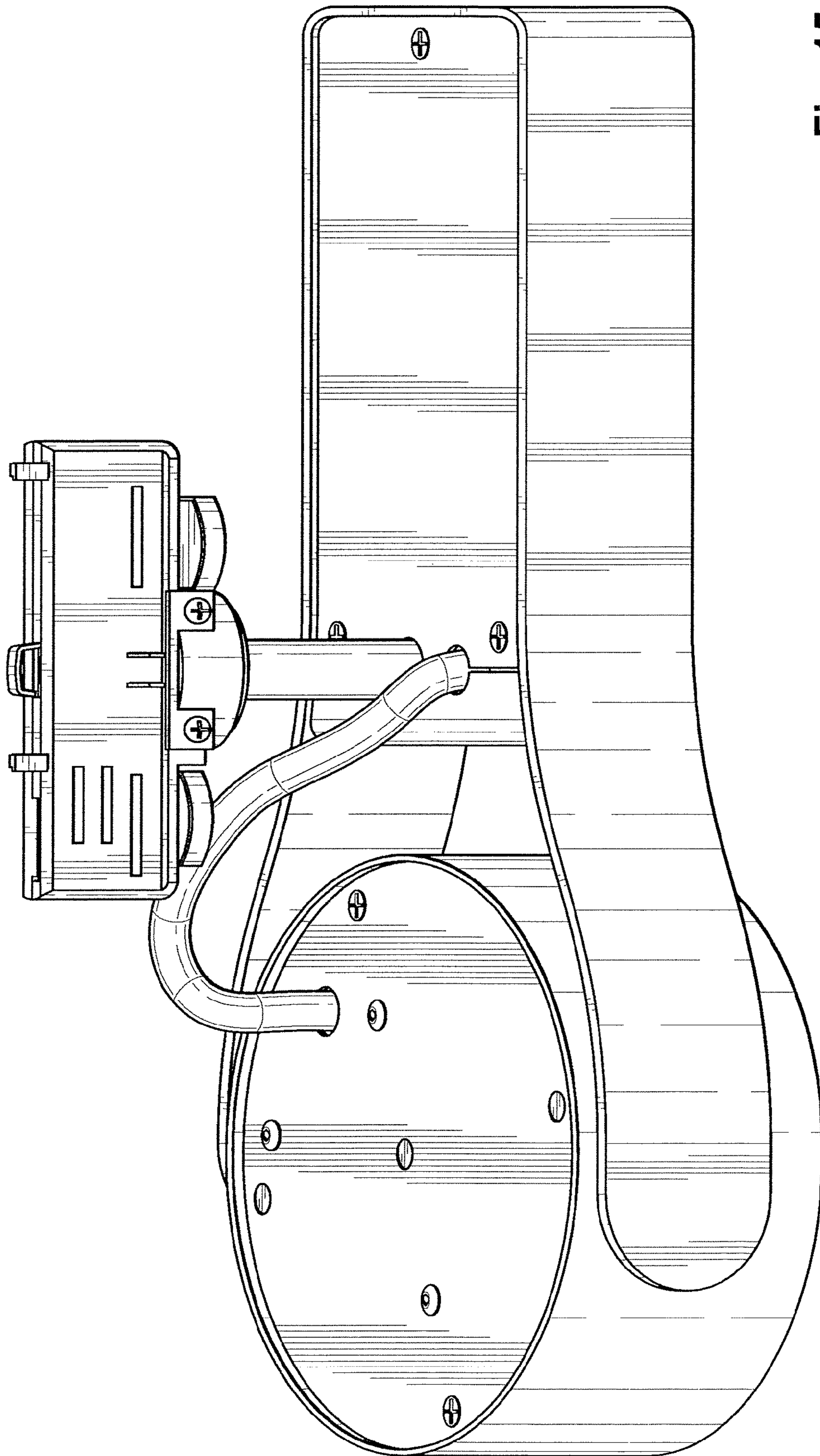


Fig. 15

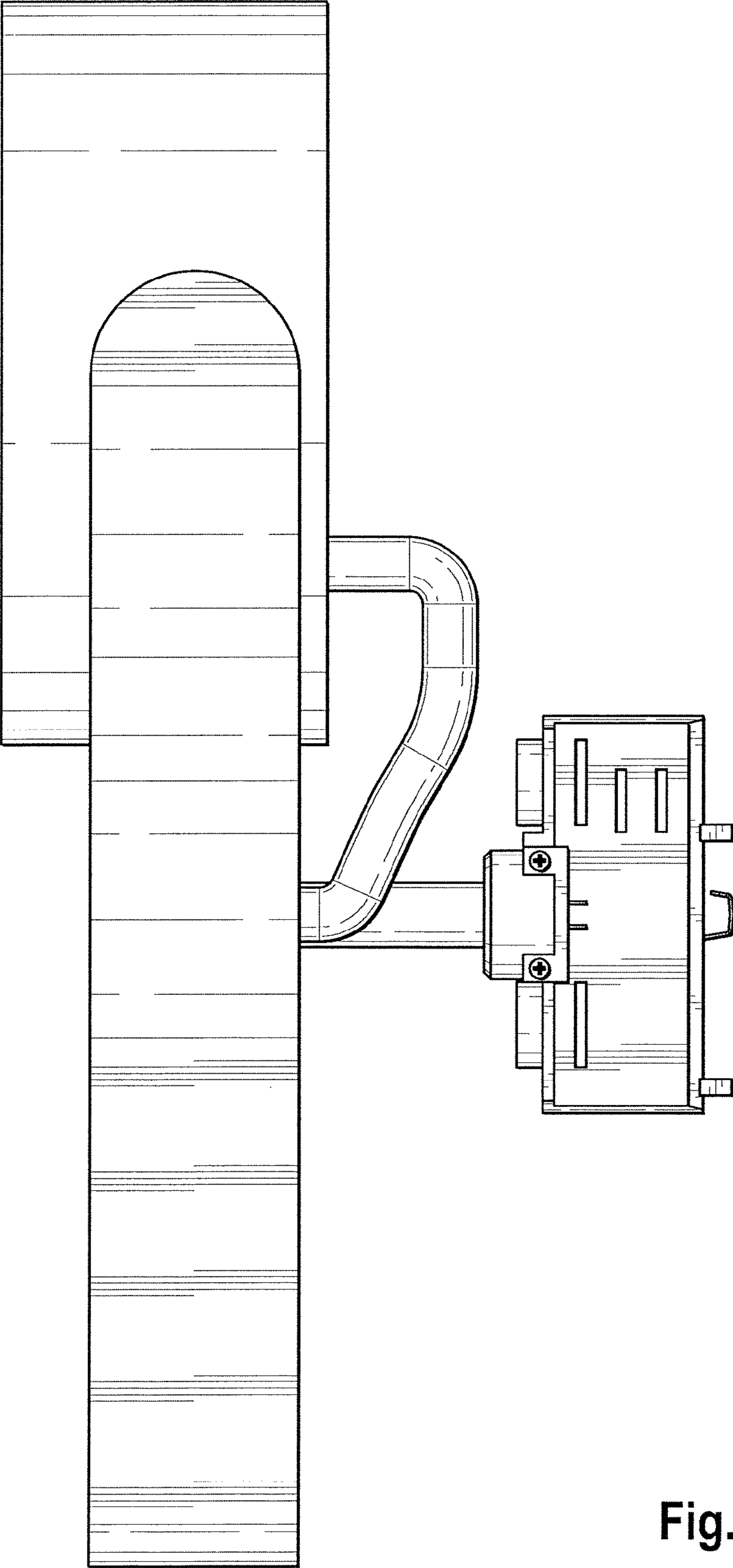


Fig. 16

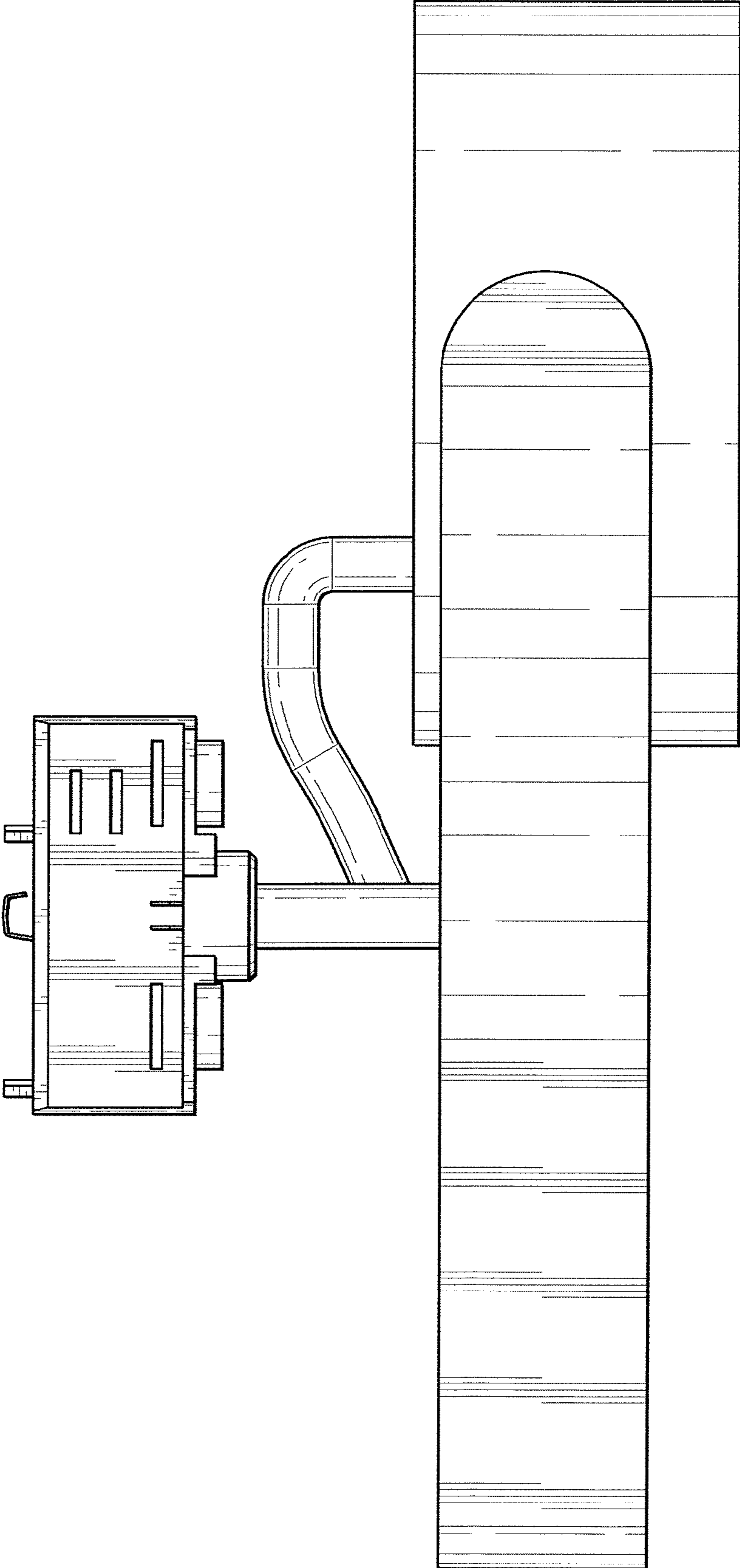


Fig. 17

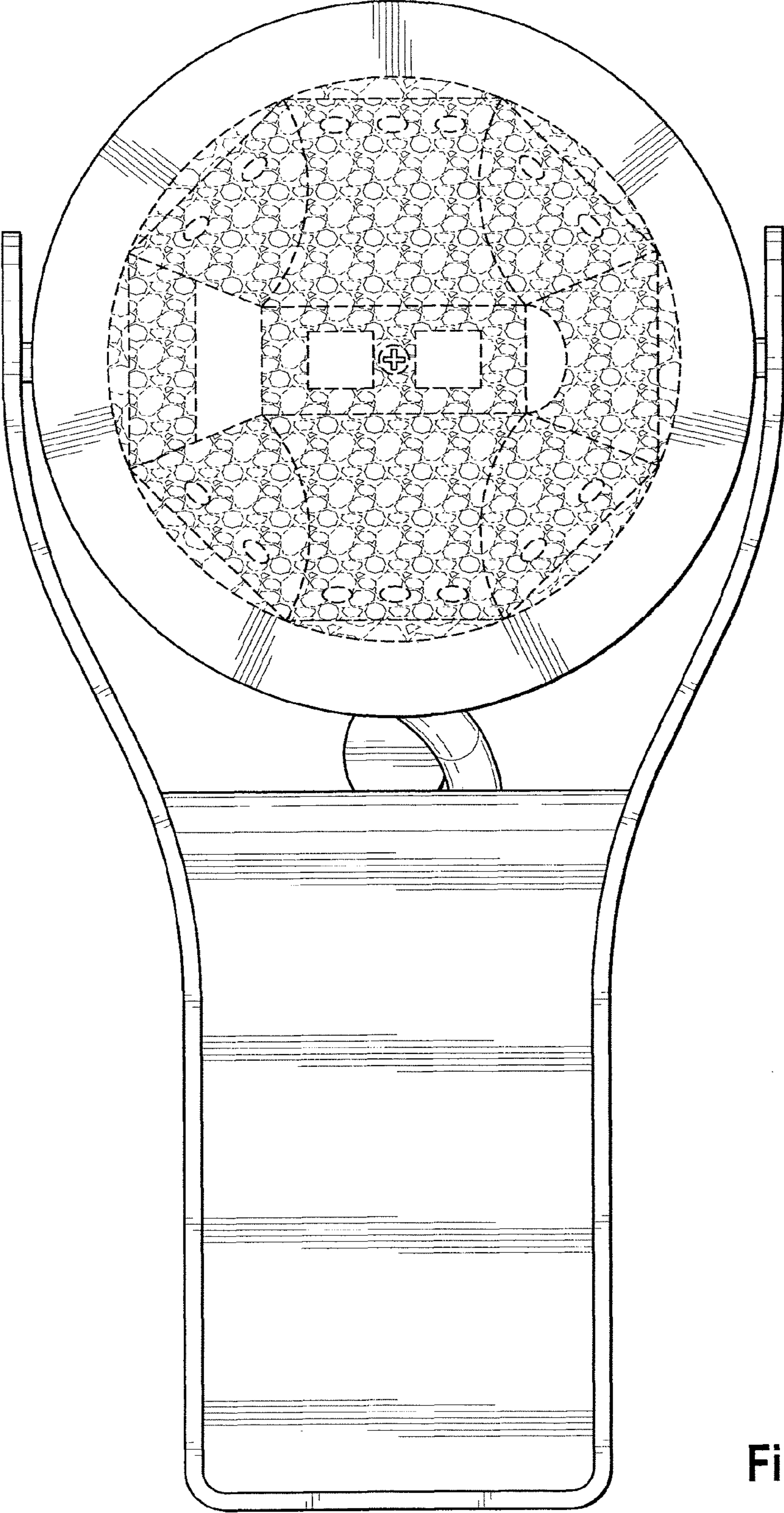


Fig. 18

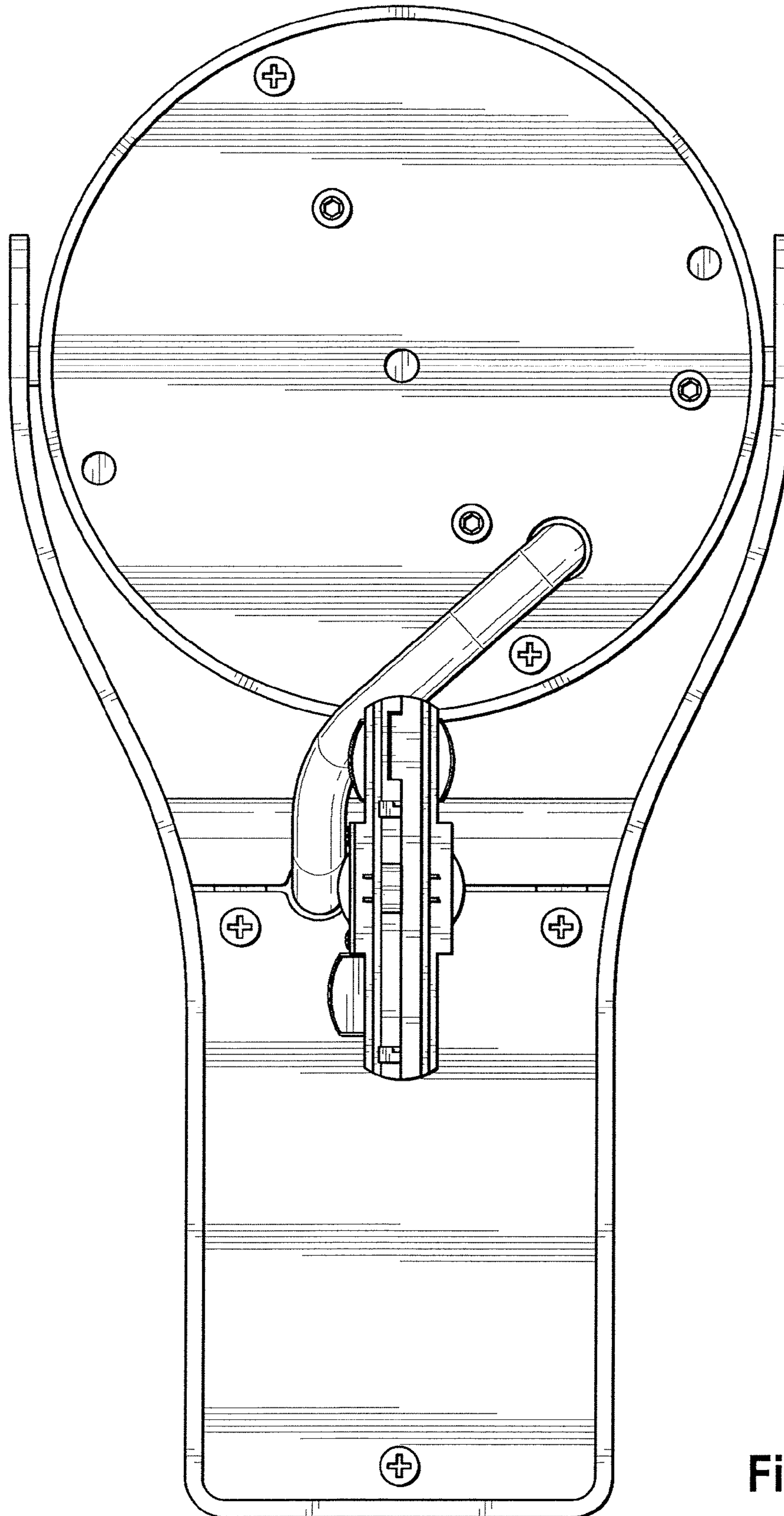


Fig. 19

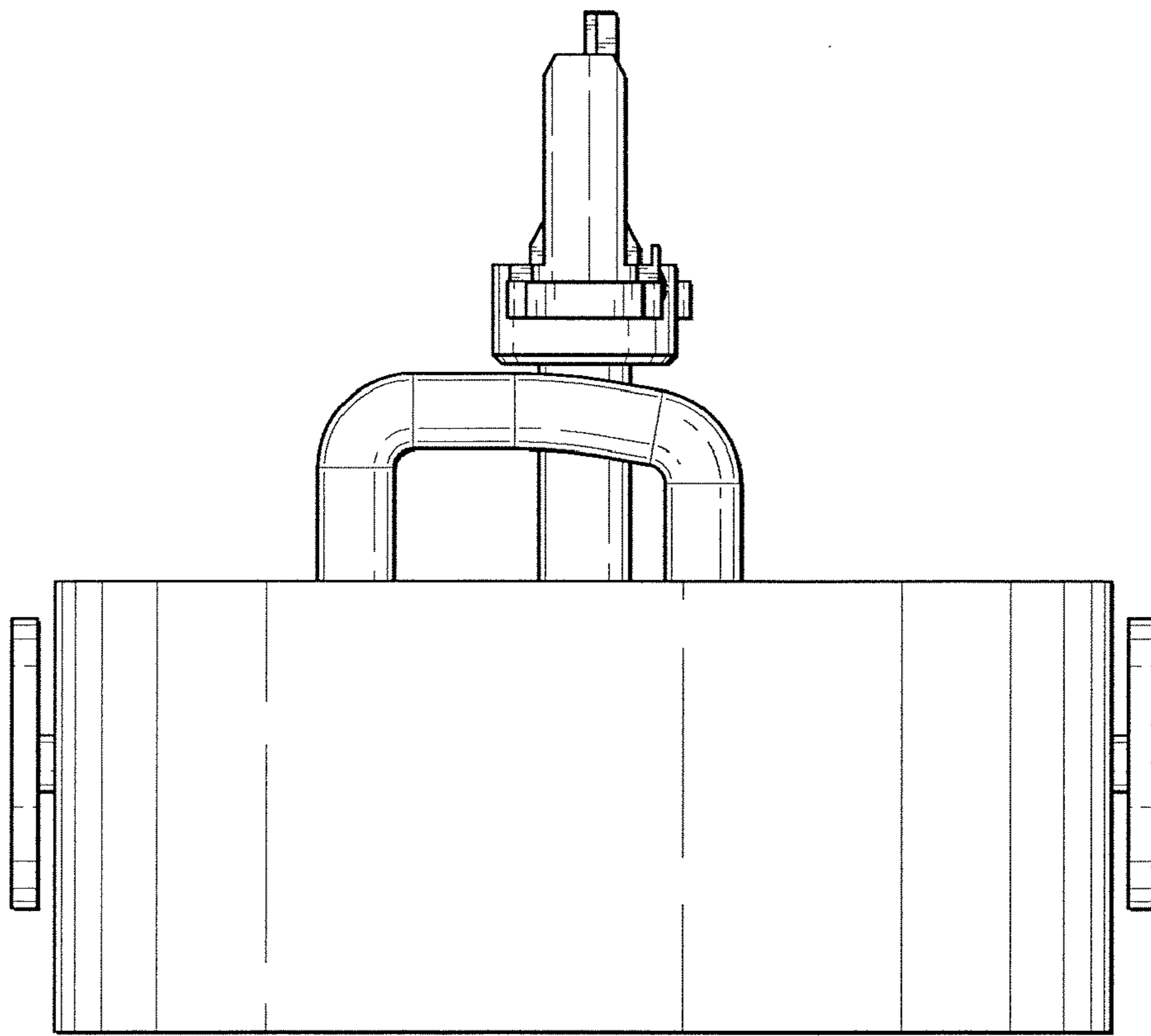


Fig. 20

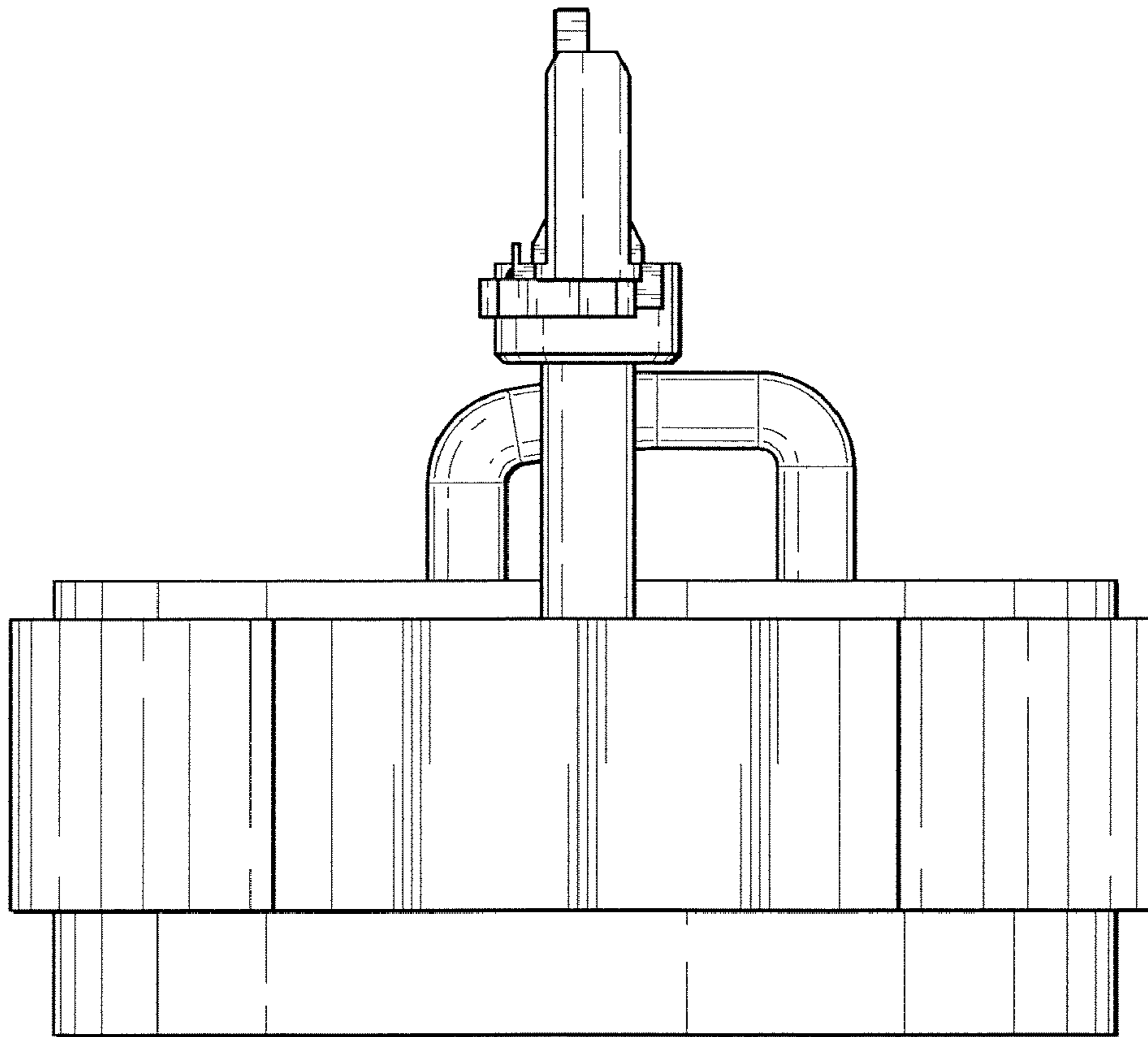


Fig. 21

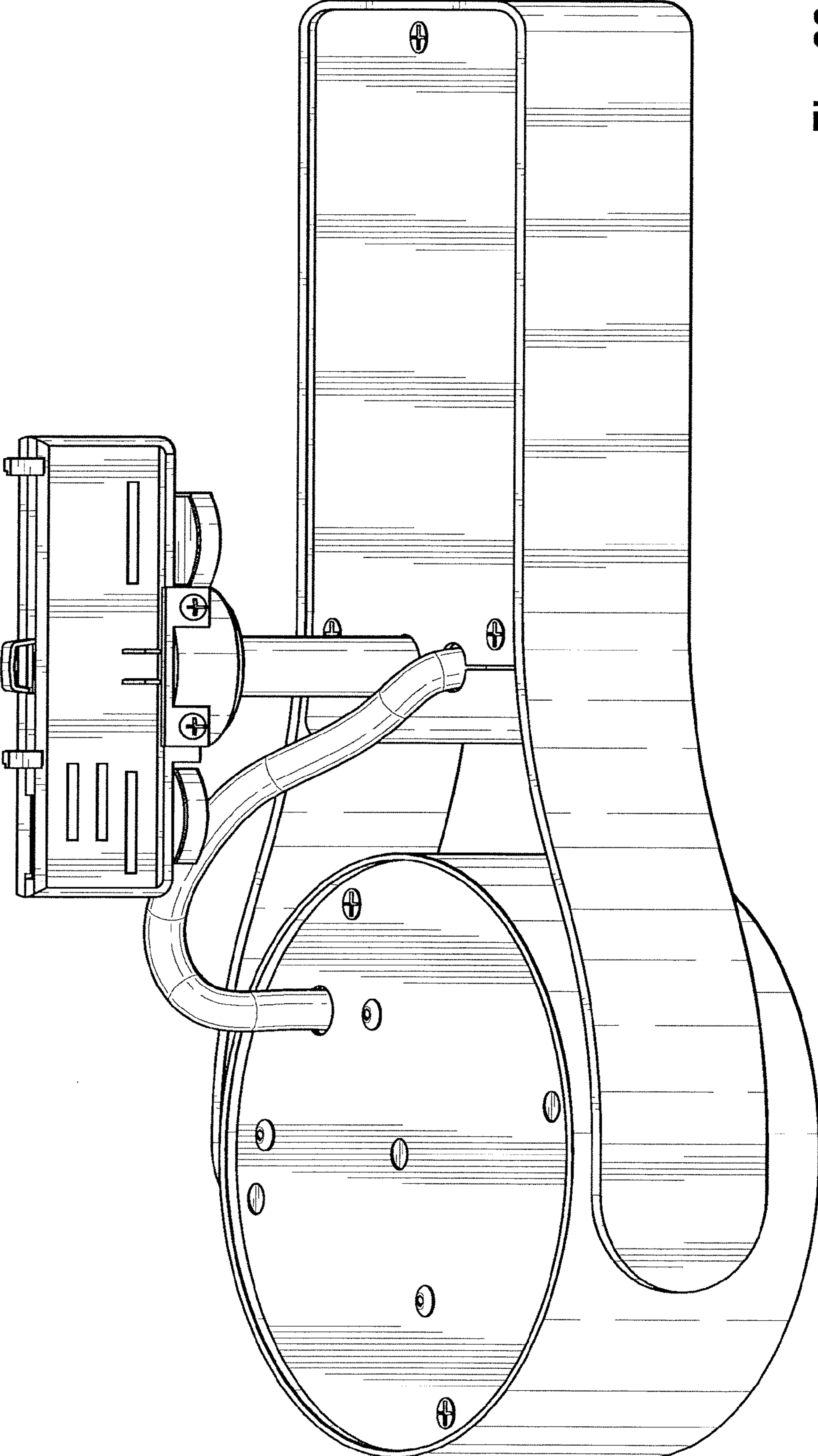


Fig. 22

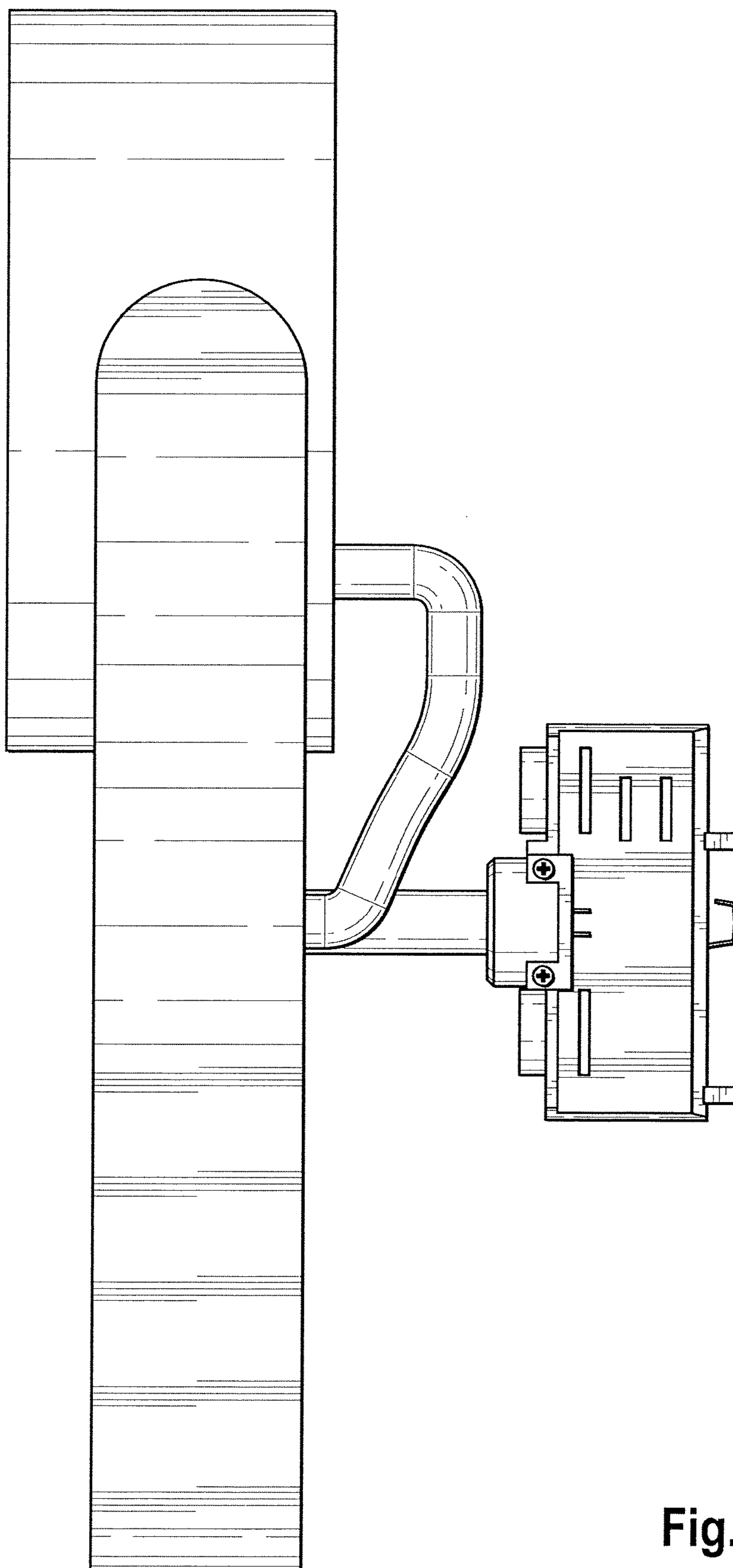


Fig. 23

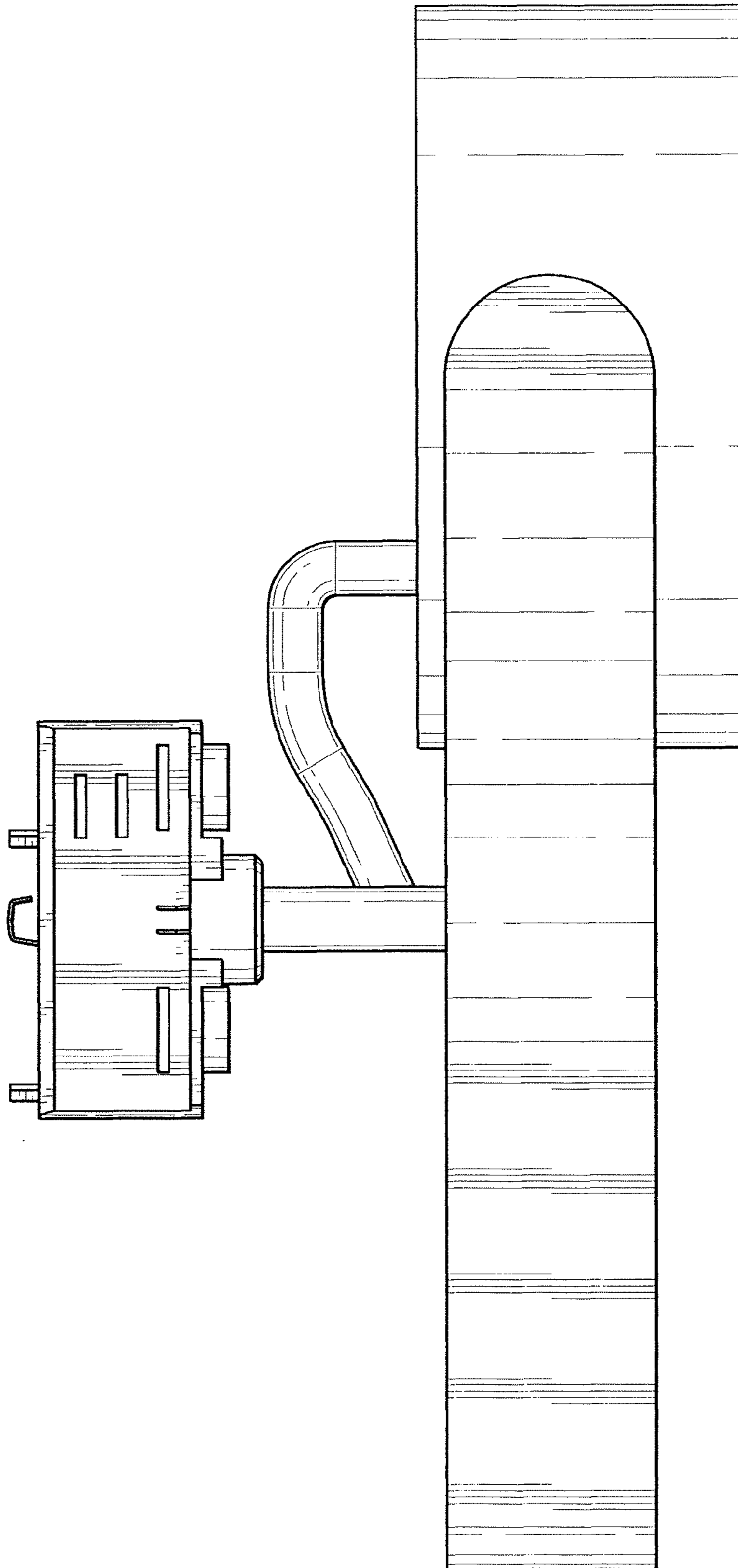


Fig. 24

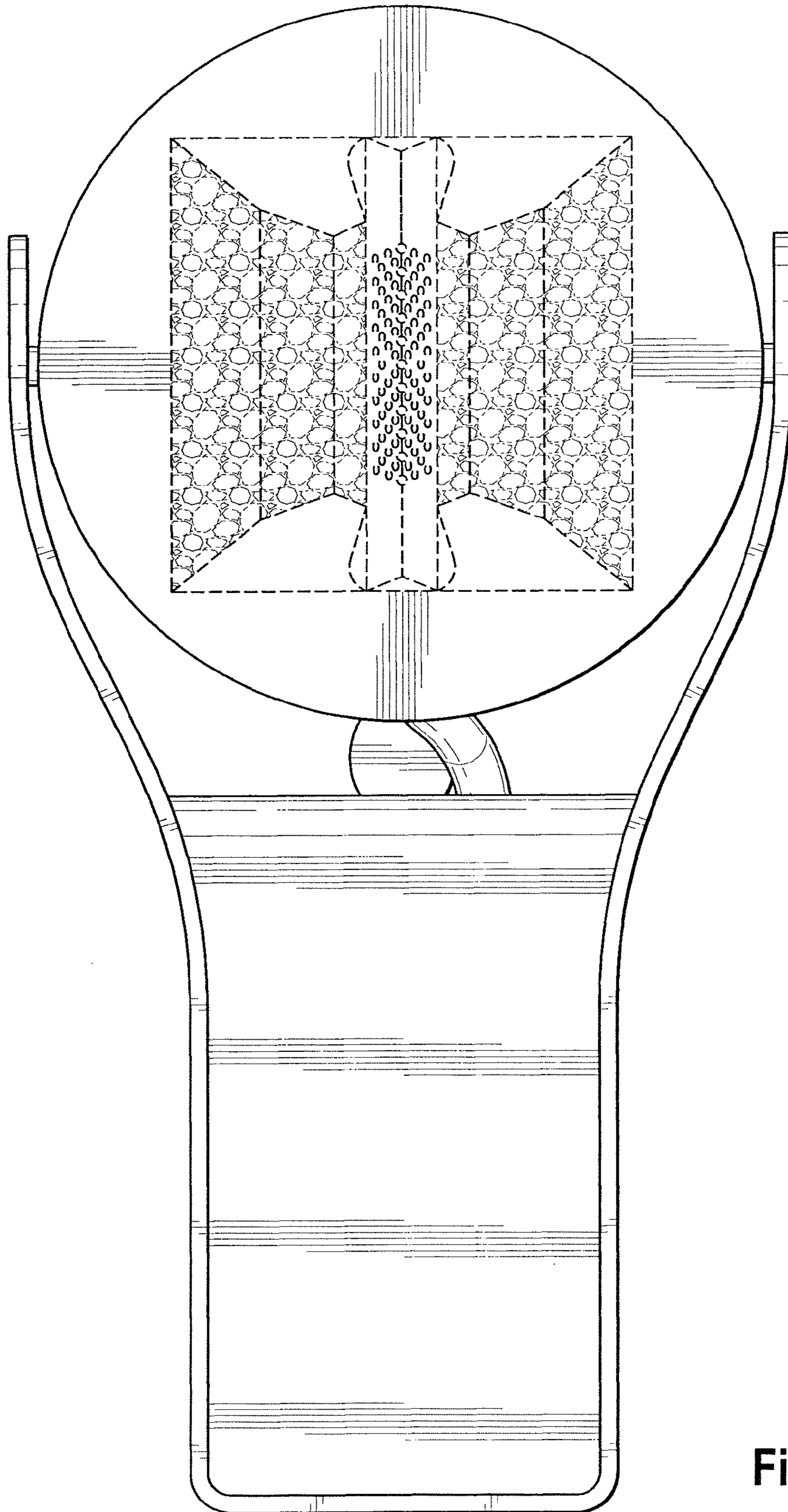


Fig. 25

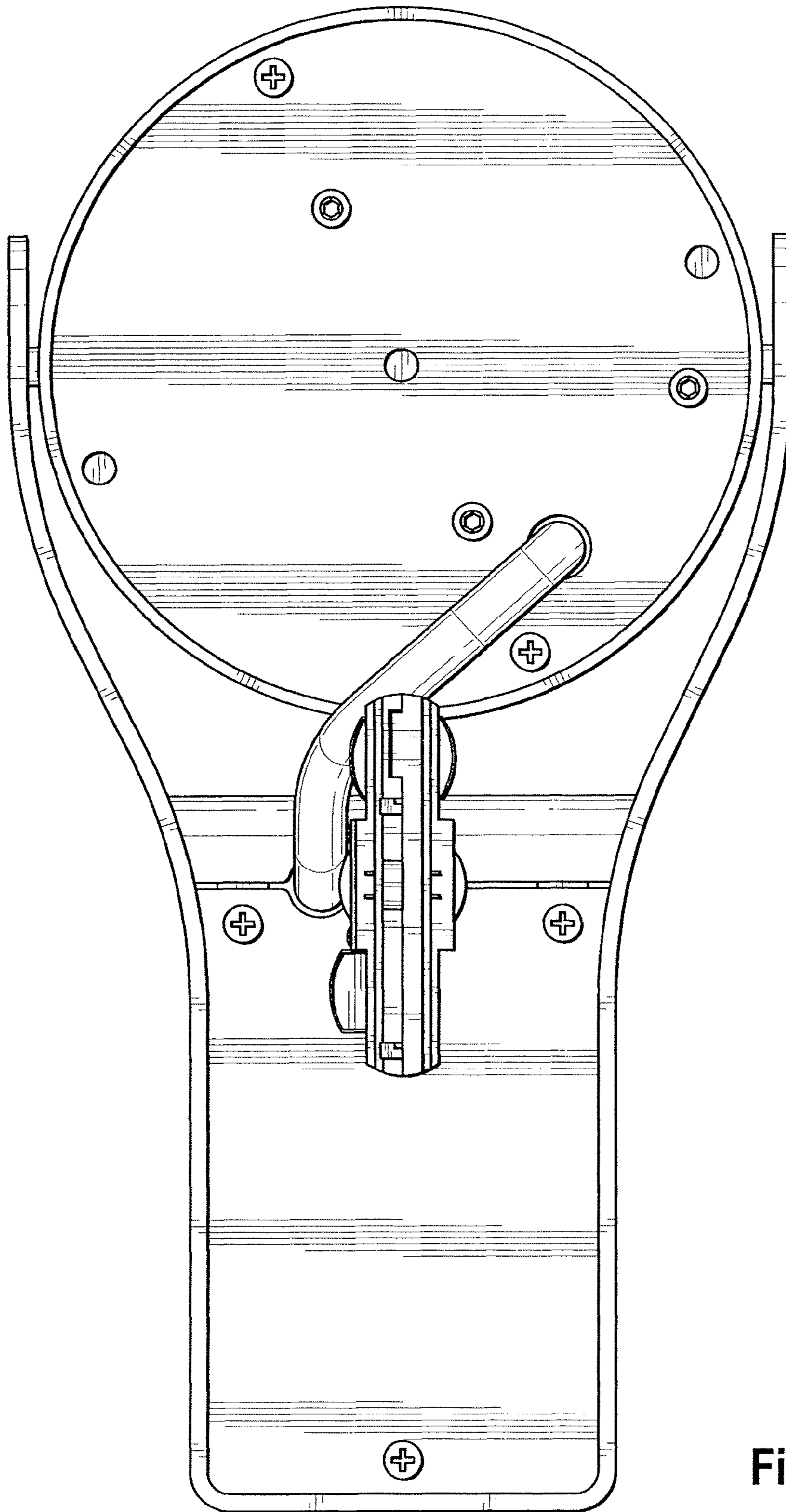


Fig. 26

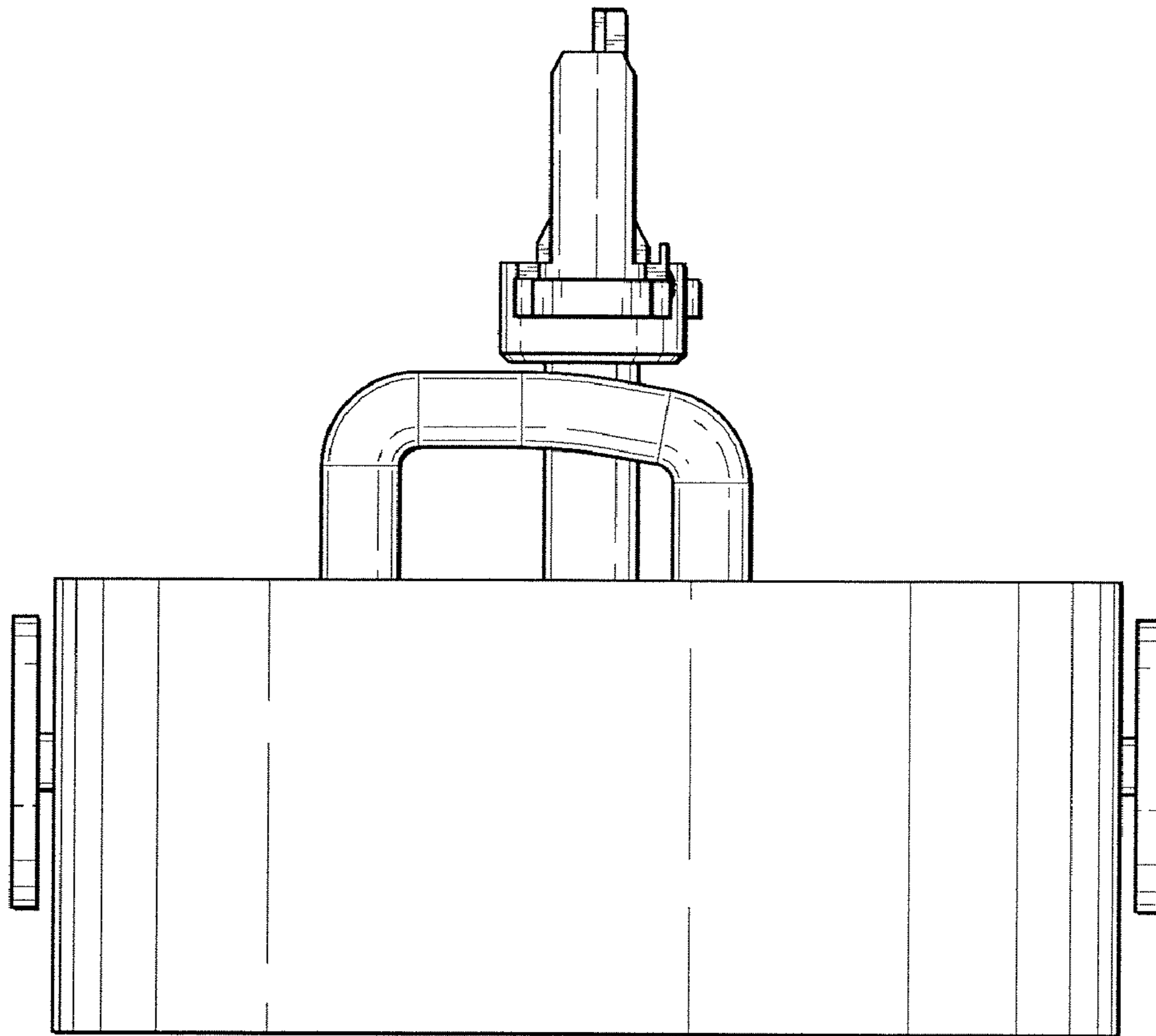


Fig. 27

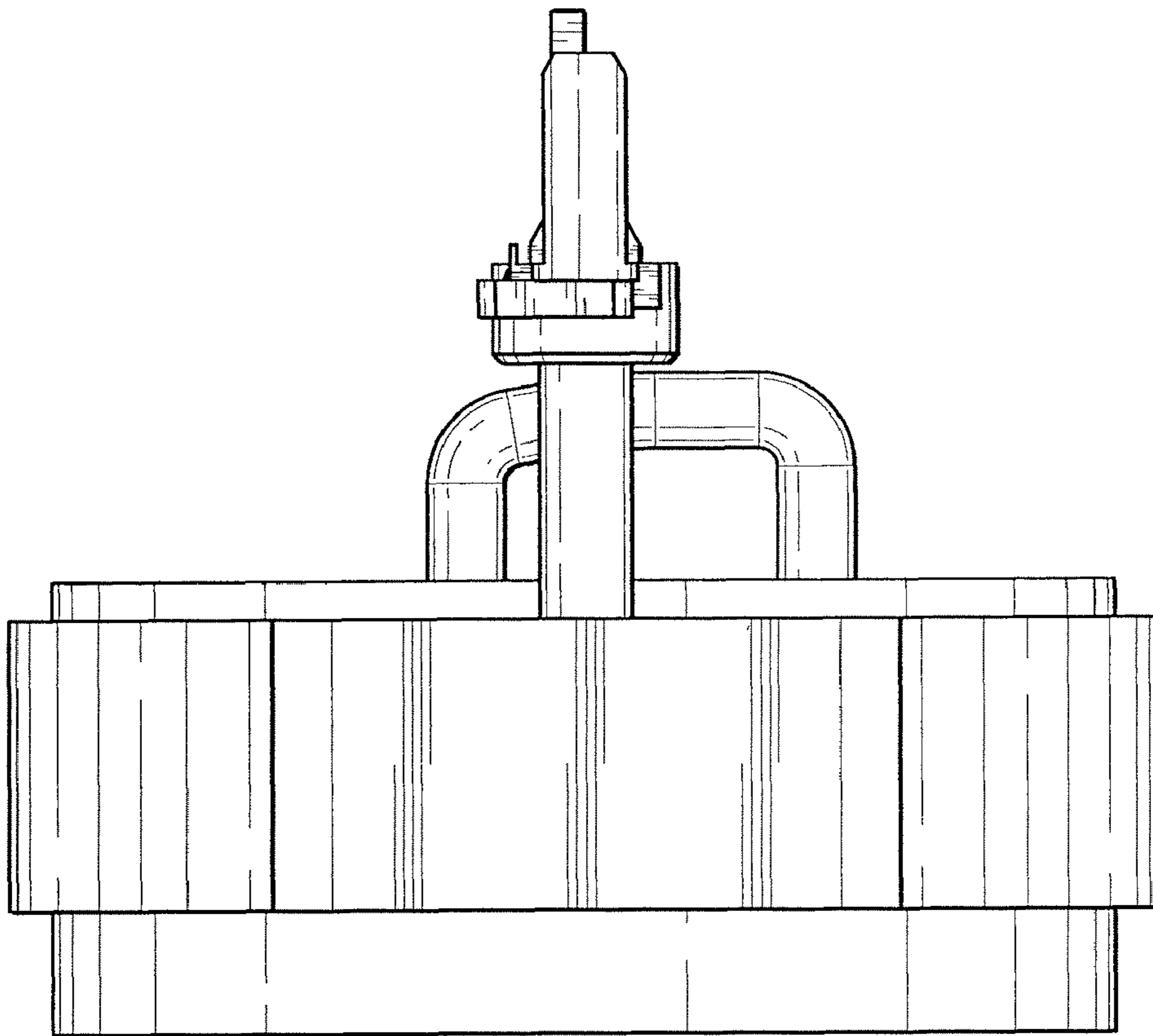


Fig. 28