



US00D651732S

(12) **United States Design Patent**  
**Hopkins**

(10) **Patent No.:** **US D651,732 S**

(45) **Date of Patent:** **\*\* \*Jan. 3, 2012**

(54) **NUCKLE LIGHT**

(76) Inventor: **Daniel Glen Hopkins**, West Linn, OR  
(US)

(\*) Notice: This patent is subject to a terminal disclaimer.

(\*\*) Term: **14 Years**

(21) Appl. No.: **29/368,481**

(22) Filed: **Aug. 24, 2010**

(51) **LOC (9) Cl.** ..... **26-02**

(52) **U.S. Cl.** ..... **D26/39**

(58) **Field of Classification Search** ..... D26/37,  
D26/38, 39, 46, 51; 362/104, 103, 105, 106,  
362/108, 253, 157, 158, 194, 195, 200, 201  
See application file for complete search history.

(56) **References Cited**

**U.S. PATENT DOCUMENTS**

D472,998 S \* 4/2003 Paris et al. .... D26/39  
D506,846 S \* 6/2005 Kang et al. .... D26/39  
D533,954 S \* 12/2006 Opolka ..... D26/39

D560,836 S \* 1/2008 Garrity et al. .... D26/39  
D577,842 S \* 9/2008 Kumthampinij et al. .... D26/39  
7,568,812 B1 \* 8/2009 Kumthampinij et al. .... 362/105  
D600,379 S \* 9/2009 Petzl ..... D26/39  
D625,862 S \* 10/2010 Fitch et al. .... D26/39  
2008/0298048 A1 \* 12/2008 Garrity et al. .... 362/105

\* cited by examiner

*Primary Examiner* — Ian Simmons

*Assistant Examiner* — Carissa C Fitts

(74) *Attorney, Agent, or Firm* — Sinorica, LLC

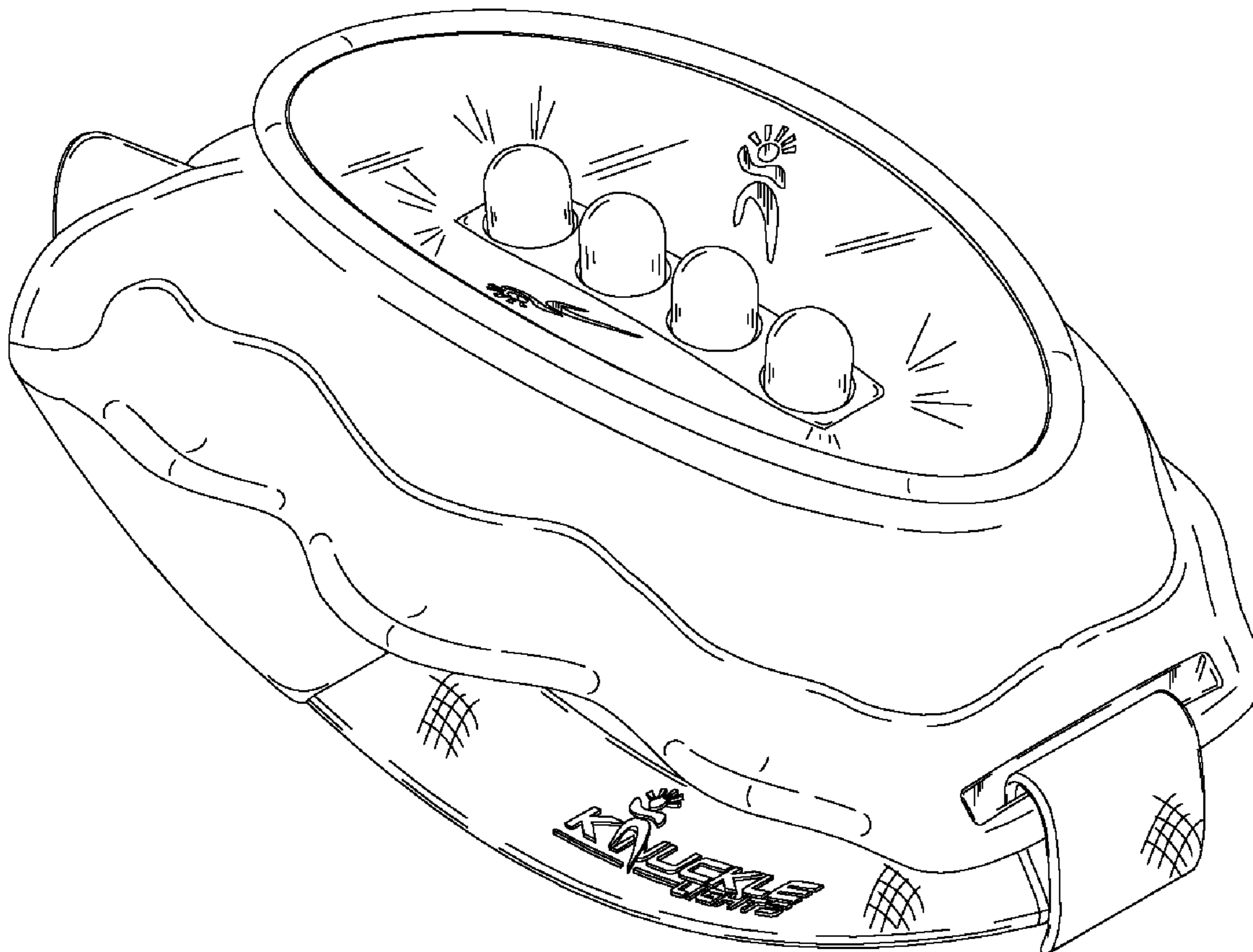
(57) **CLAIM**

The ornamental design for a knuckle light, as shown and described.

**DESCRIPTION**

FIG. 1 is a perspective view of a knuckle light;  
FIG. 2 is a front elevational view thereof;  
FIG. 3 is a rear elevational view thereof;  
FIG. 4 is a left-side elevational view thereof;  
FIG. 5 is a right-side elevational view thereof;  
FIG. 6 is a bottom plan view thereof; and,  
FIG. 7 is a top plan view thereof.

**1 Claim, 4 Drawing Sheets**



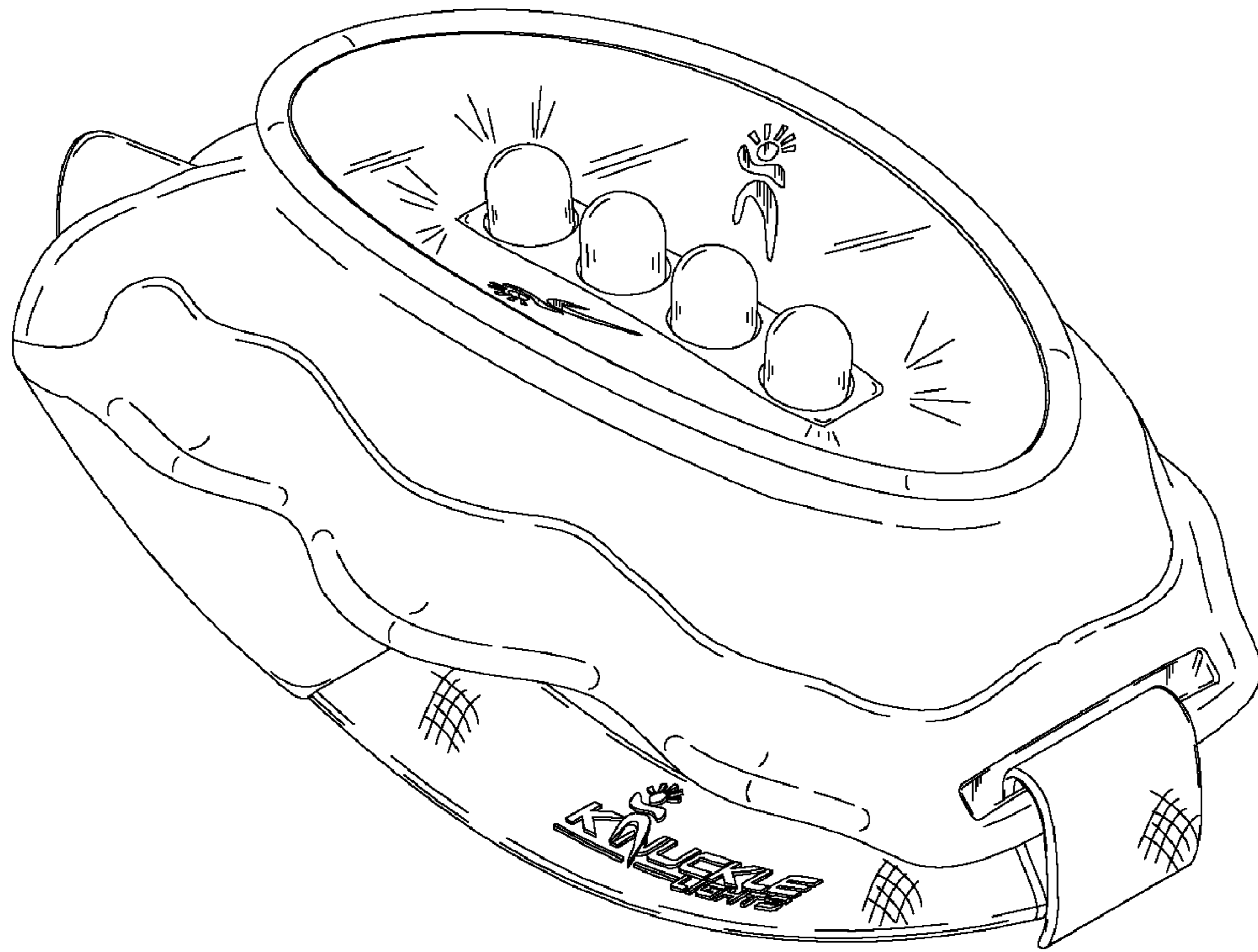


FIG. 1

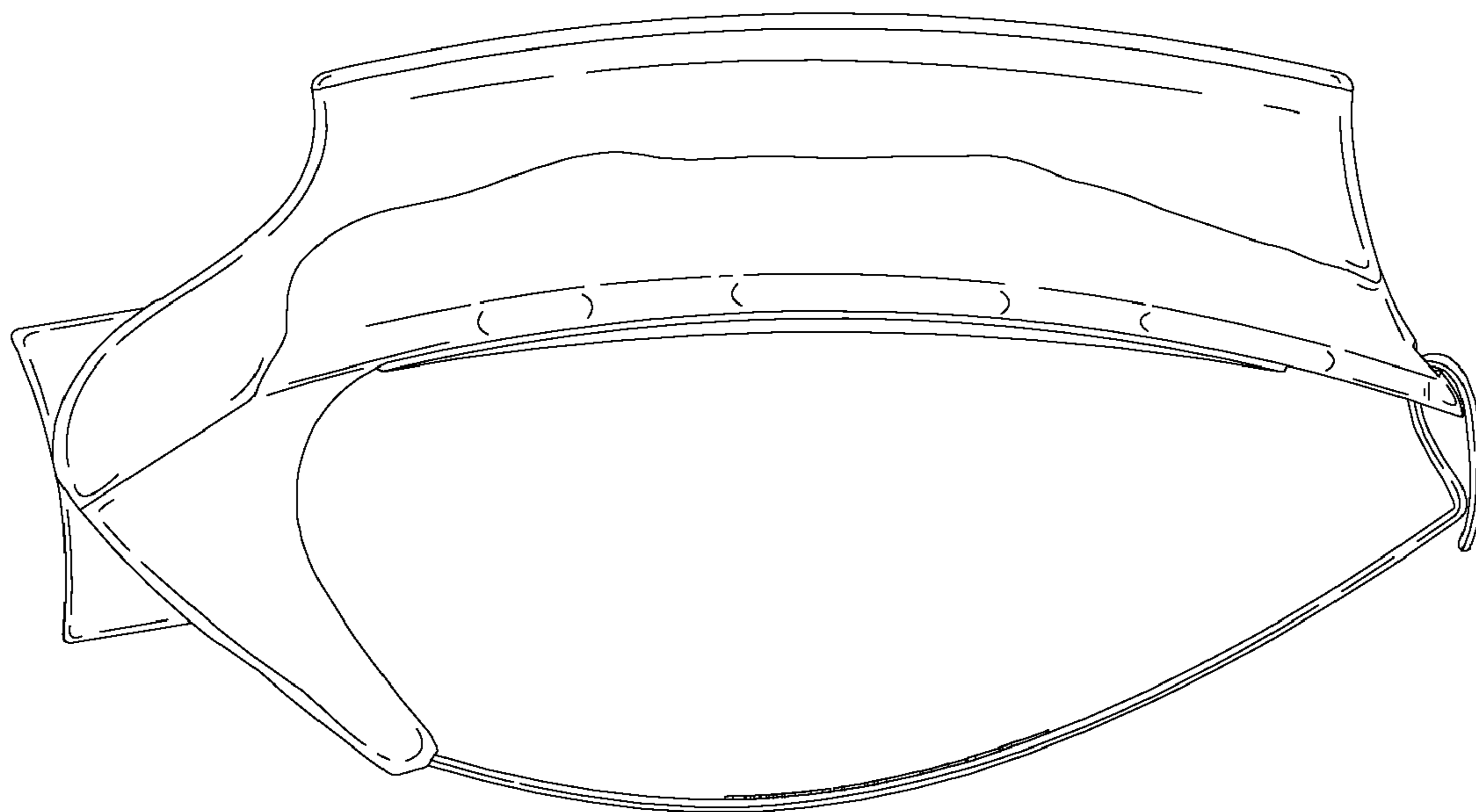


FIG. 2

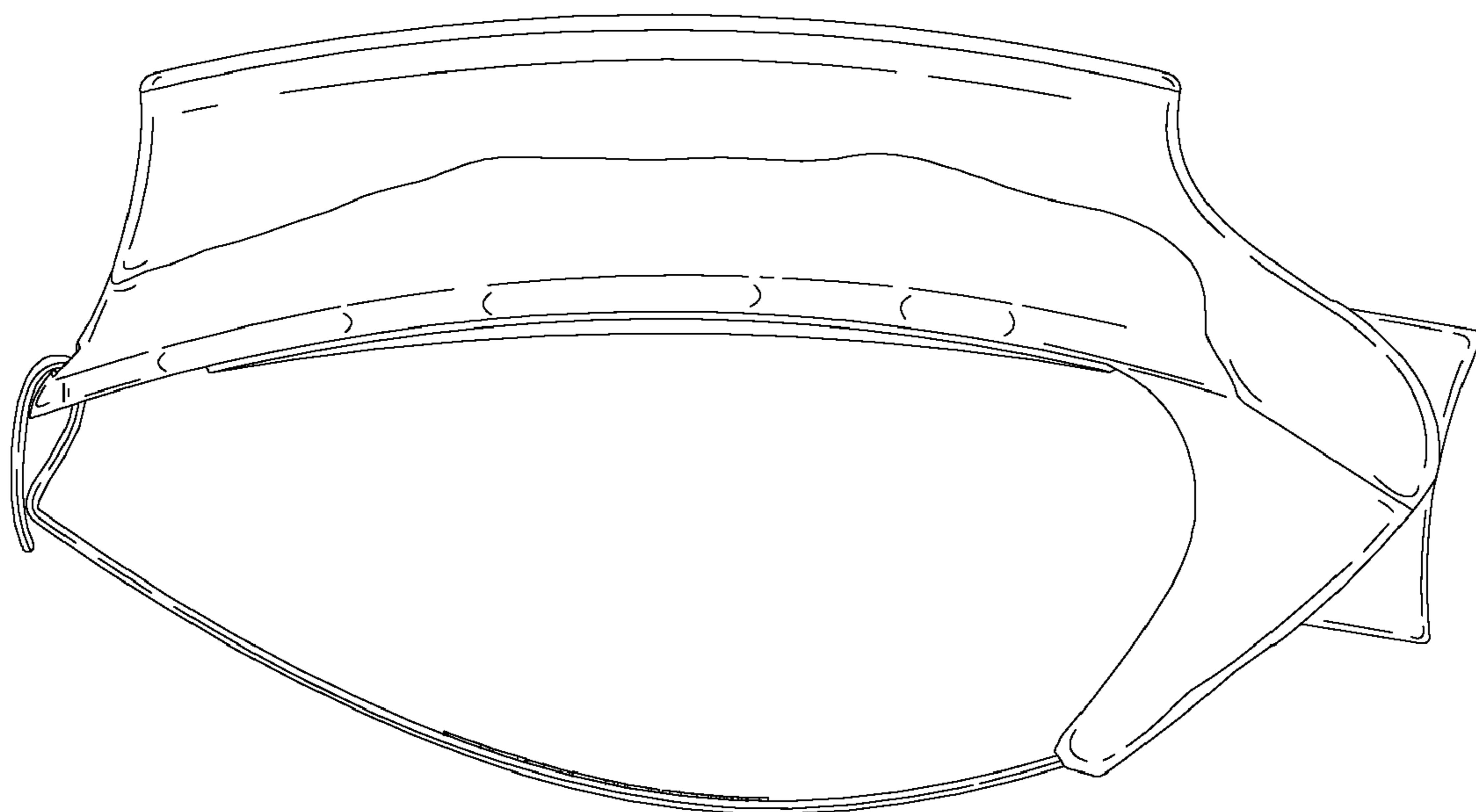


FIG. 3

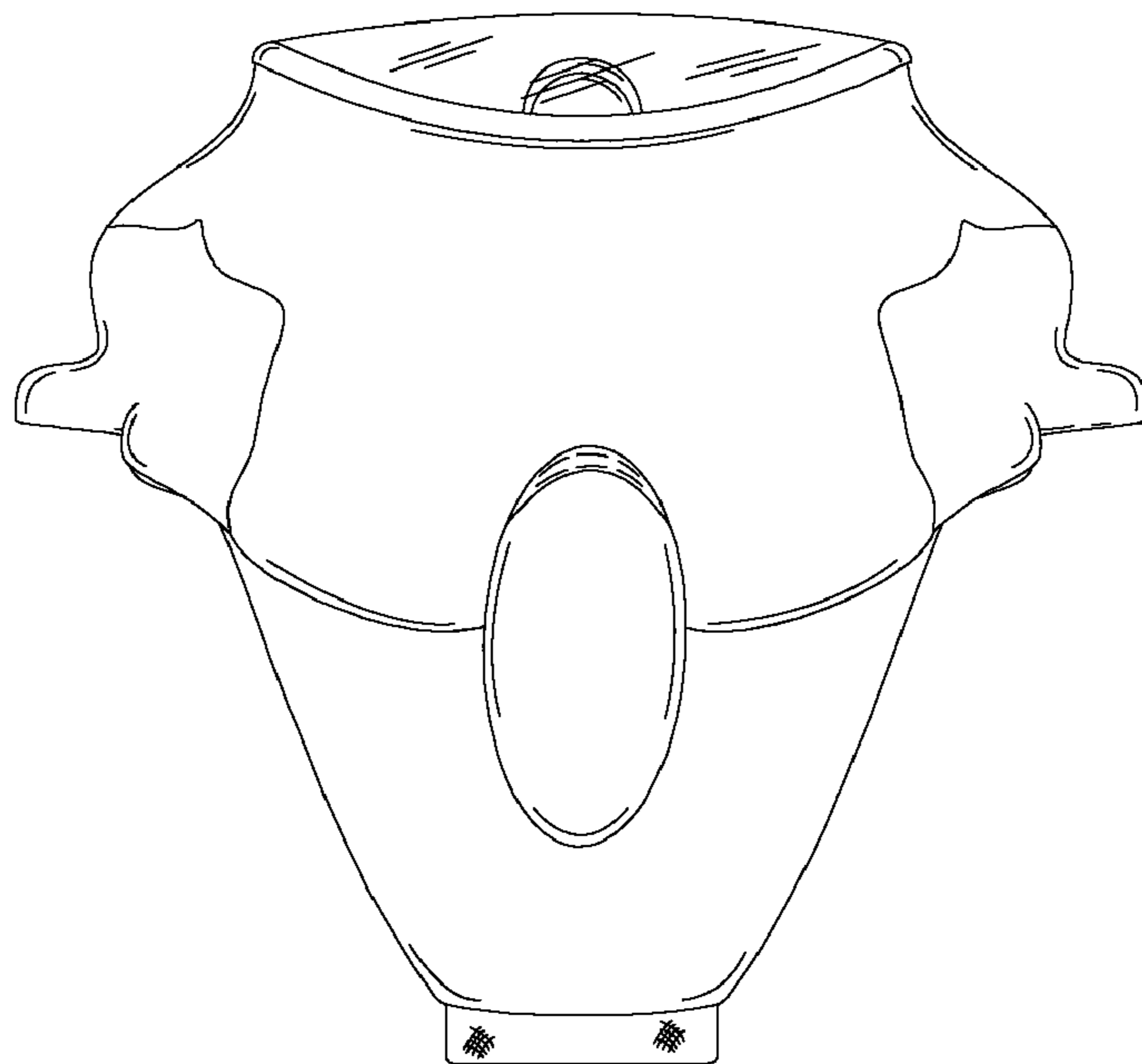


FIG. 4

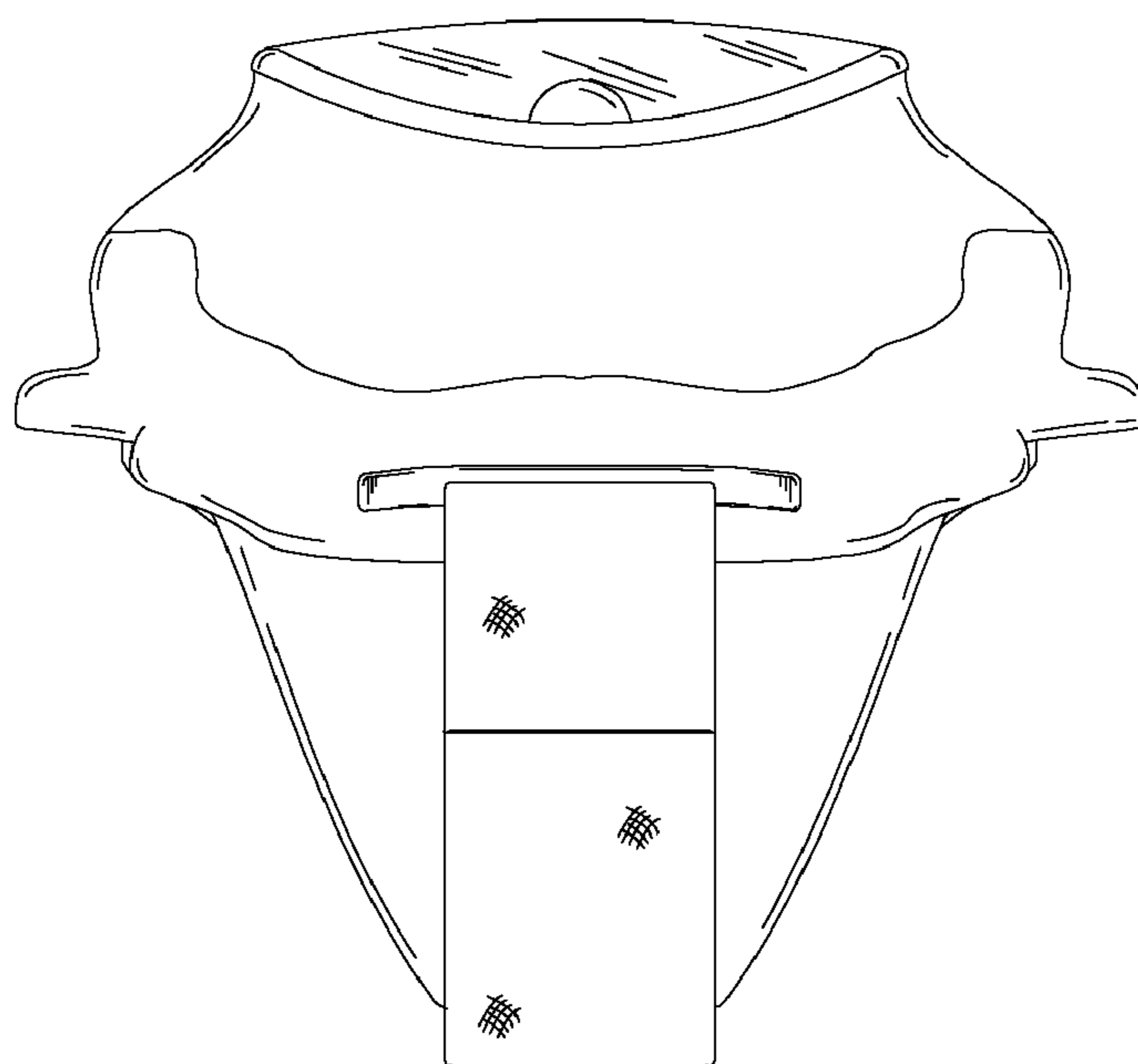


FIG. 5

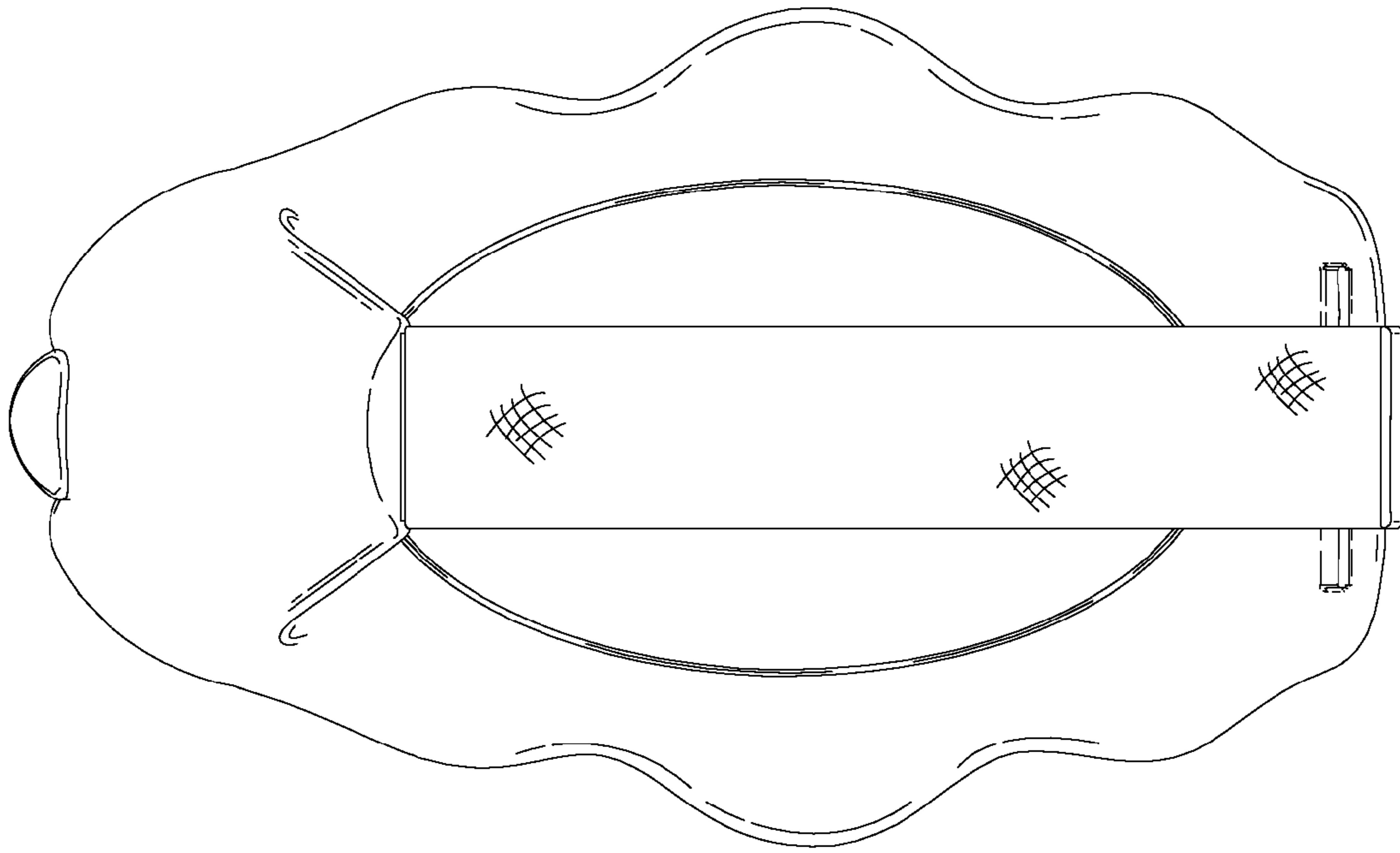


FIG. 6

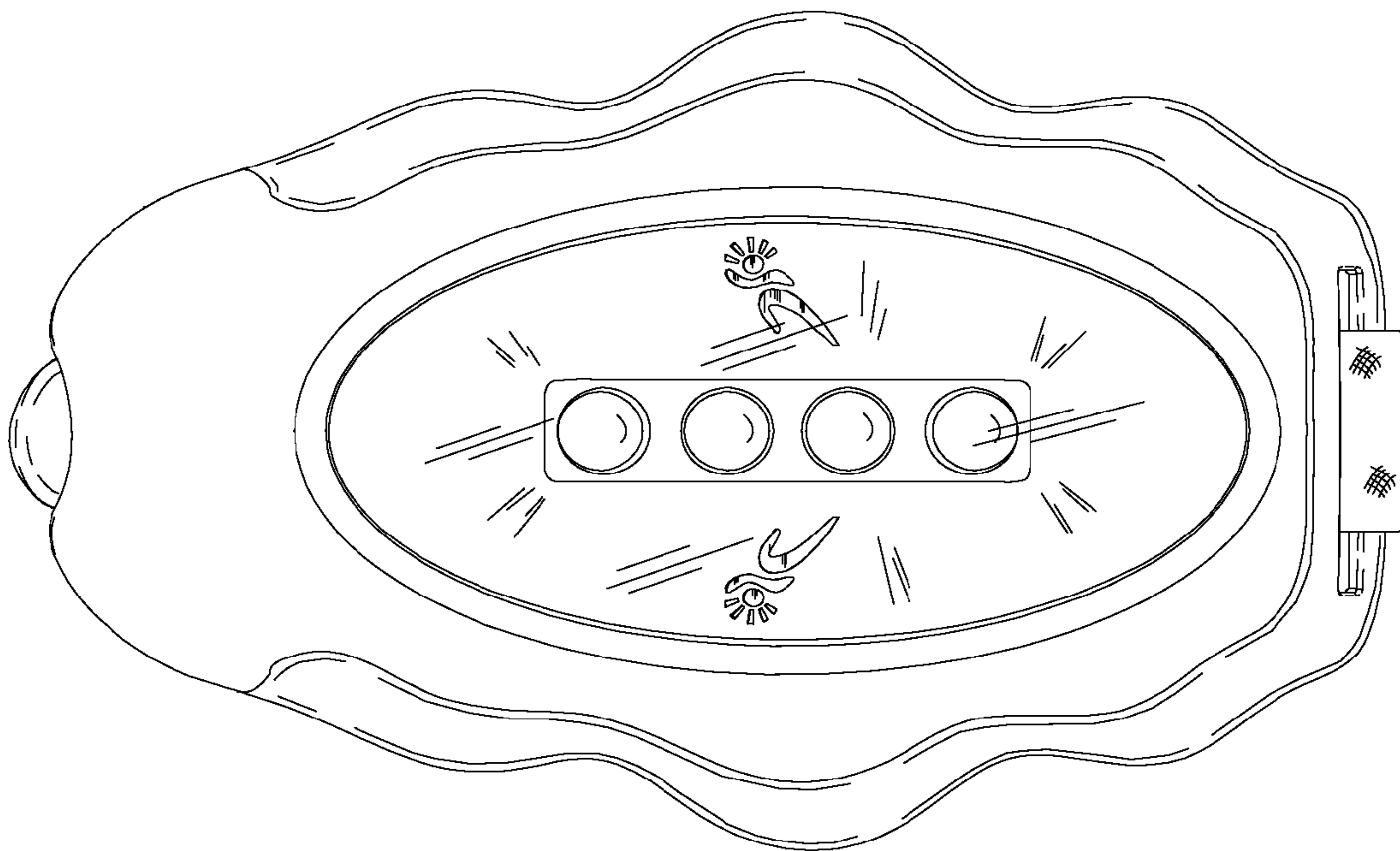


FIG. 7