



US00D651730S

(12) **United States Design Patent**  
**Riesebosch**

(10) **Patent No.:** **US D651,730 S**

(45) **Date of Patent:** **\*\* Jan. 3, 2012**

(54) **VEHICLE LIGHT**

(75) **Inventor:** **Scott Arthur Riesebosch**, St. Catherines (CA)

(73) **Assignee:** **CRS Electronics**, Welland Ontario (CA)

(\*\*) **Term:** **14 Years**

(21) **Appl. No.:** **29/326,812**

(22) **Filed:** **Oct. 24, 2008**

(51) **LOC (9) Cl.** ..... **26-06**

(52) **U.S. Cl.** ..... **D26/31**

(58) **Field of Classification Search** ..... D26/28-36;  
362/459-468, 475-478, 485-487

See application file for complete search history.

(56) **References Cited**

**U.S. PATENT DOCUMENTS**

5,567,036	A	10/1996	Theobald et al.
5,635,902	A	6/1997	Hochstein
6,009,650	A	1/2000	Lamparter
6,241,373	B1	6/2001	Kelley et al.
6,598,996	B1	7/2003	Lodhie
7,040,790	B2	5/2006	Lodhie et al.

7,175,320	B1	2/2007	Burgess	
D539,950	S	*	4/2007	Okumura ..... D26/31
D603,536	S	*	11/2009	Tsai et al. .... D26/31
D629,936	S	*	12/2010	Levy et al. .... D26/28
D633,633	S	*	3/2011	Oh et al. .... D26/28

\* cited by examiner

*Primary Examiner* — Marcus Jackson

(74) *Attorney, Agent, or Firm* — Bingham McCutchen LLP

(57) **CLAIM**

The ornamental design for a vehicle light, as shown and described.

**DESCRIPTION**

FIG. 1 is a front elevation of a vehicle light incorporating my design;

FIG. 2 is a rear elevation of the vehicle light;

FIG. 3 is a left-side elevation of the vehicle light;

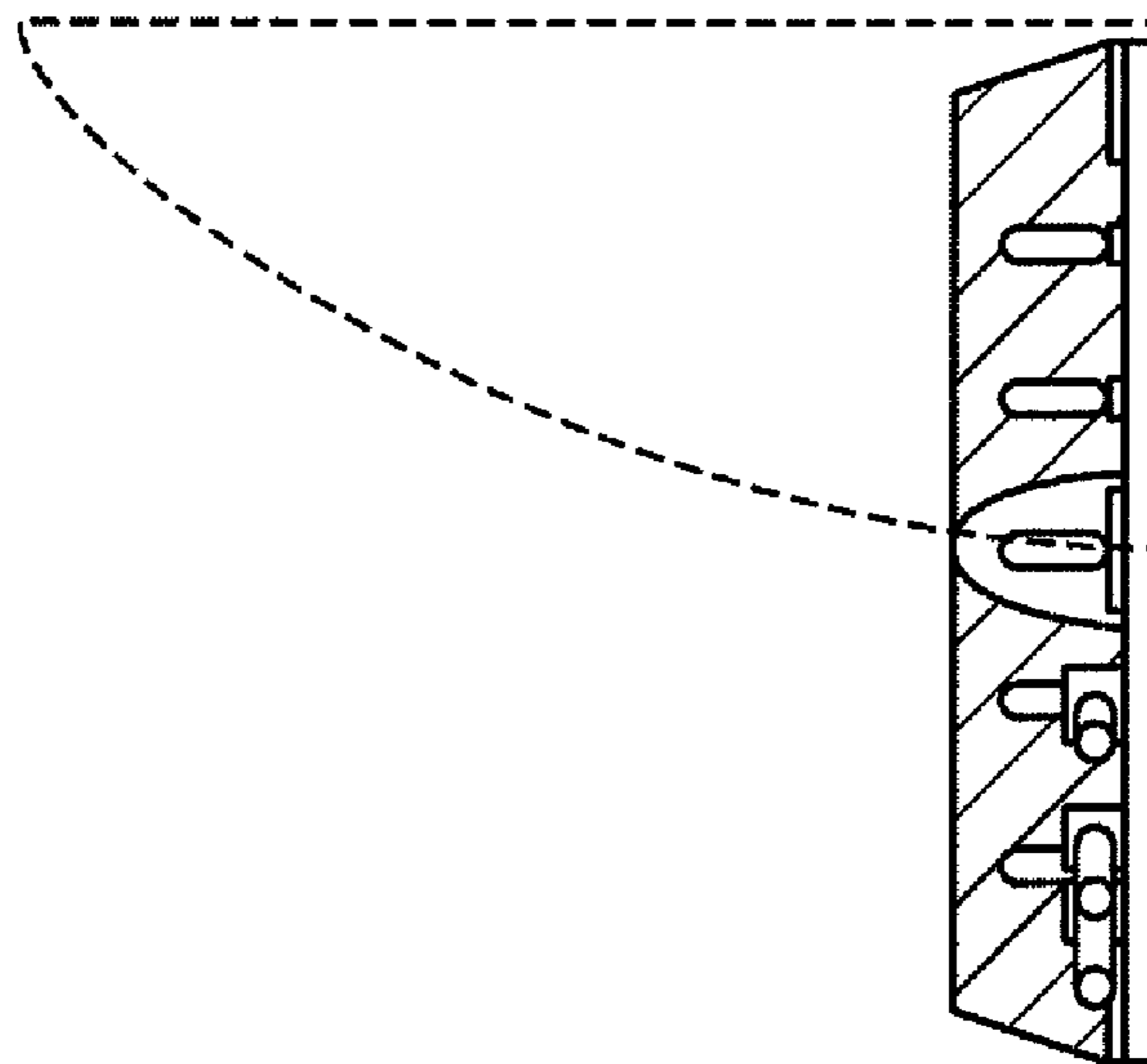
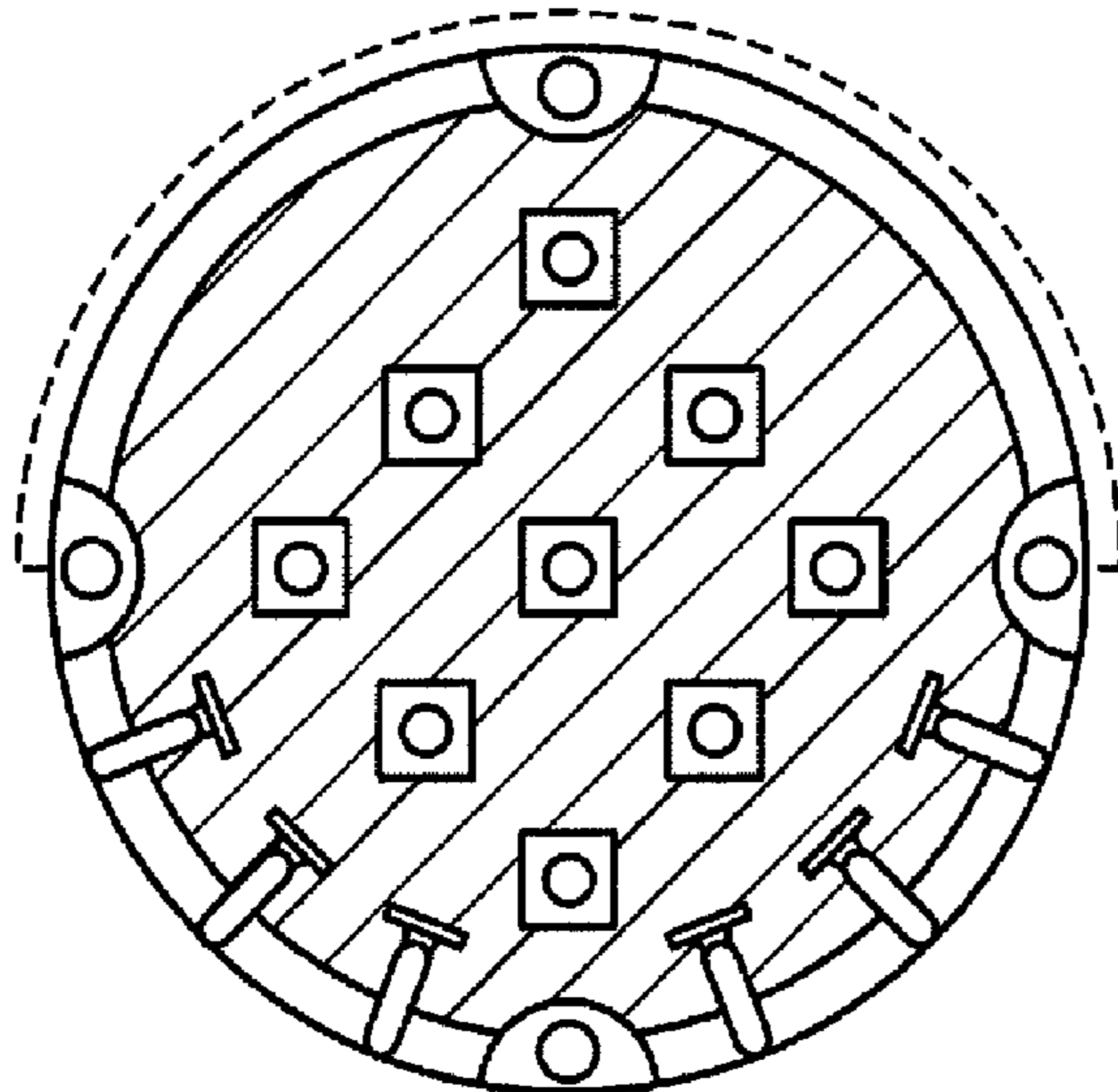
FIG. 4 is a right-side elevation of the vehicle light;

FIG. 5 is a top view of the vehicle light; and,

FIG. 6 is a bottom view of the vehicle light.

The broken lines are for illustrative purposes. None of the broken lines form part of the claimed design.

**1 Claim, 1 Drawing Sheet**



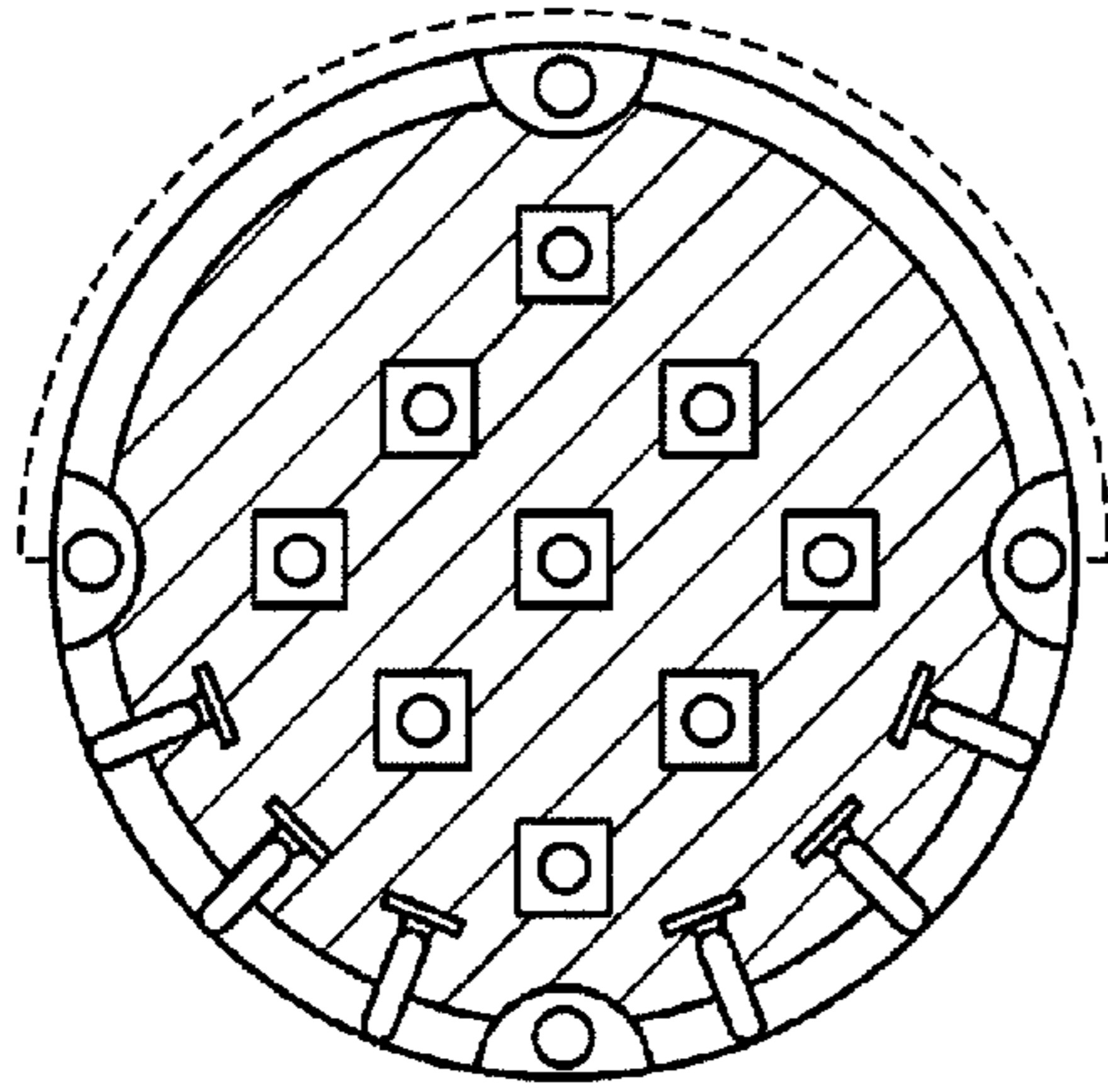


FIG. 1

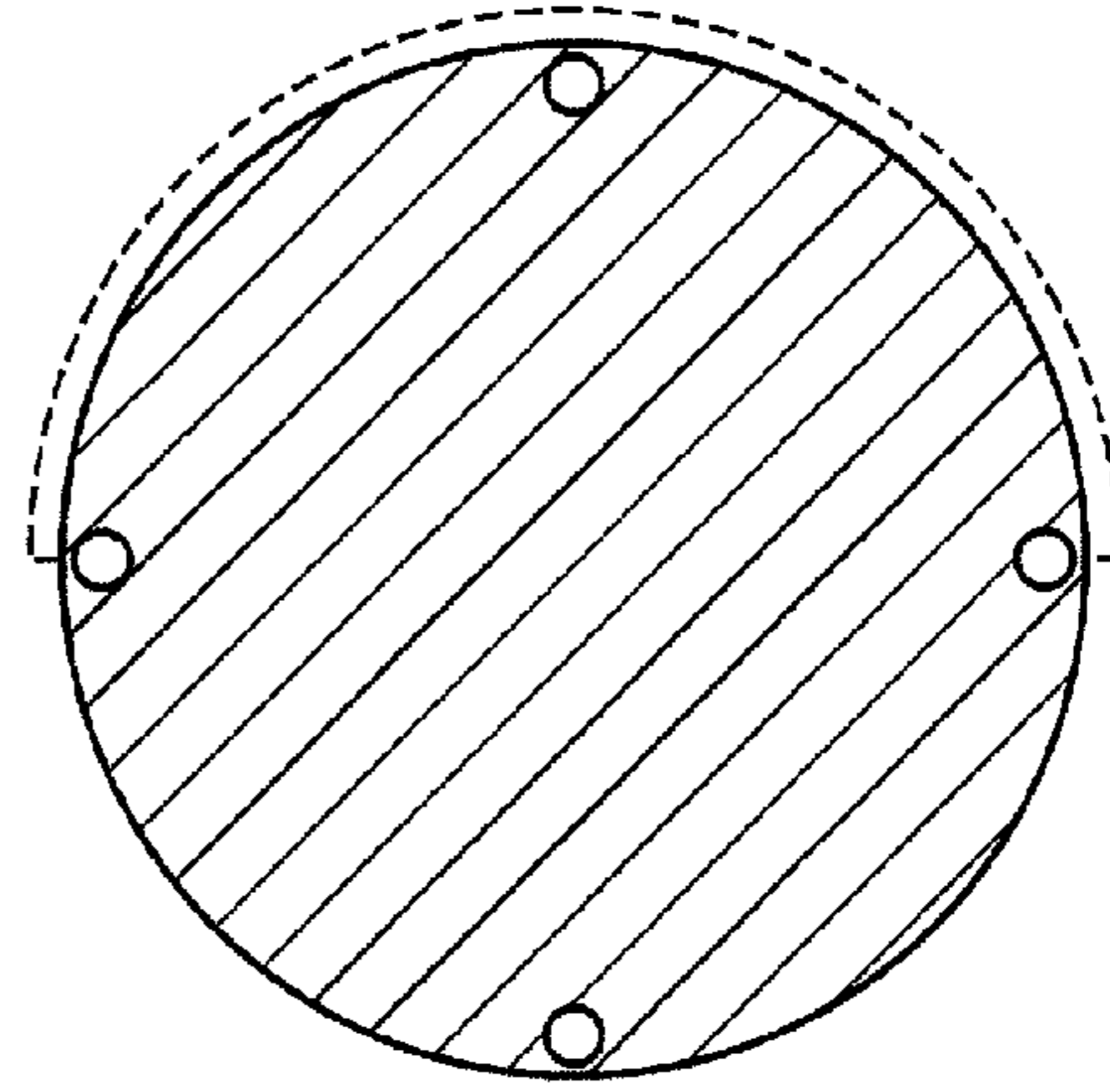


FIG. 2

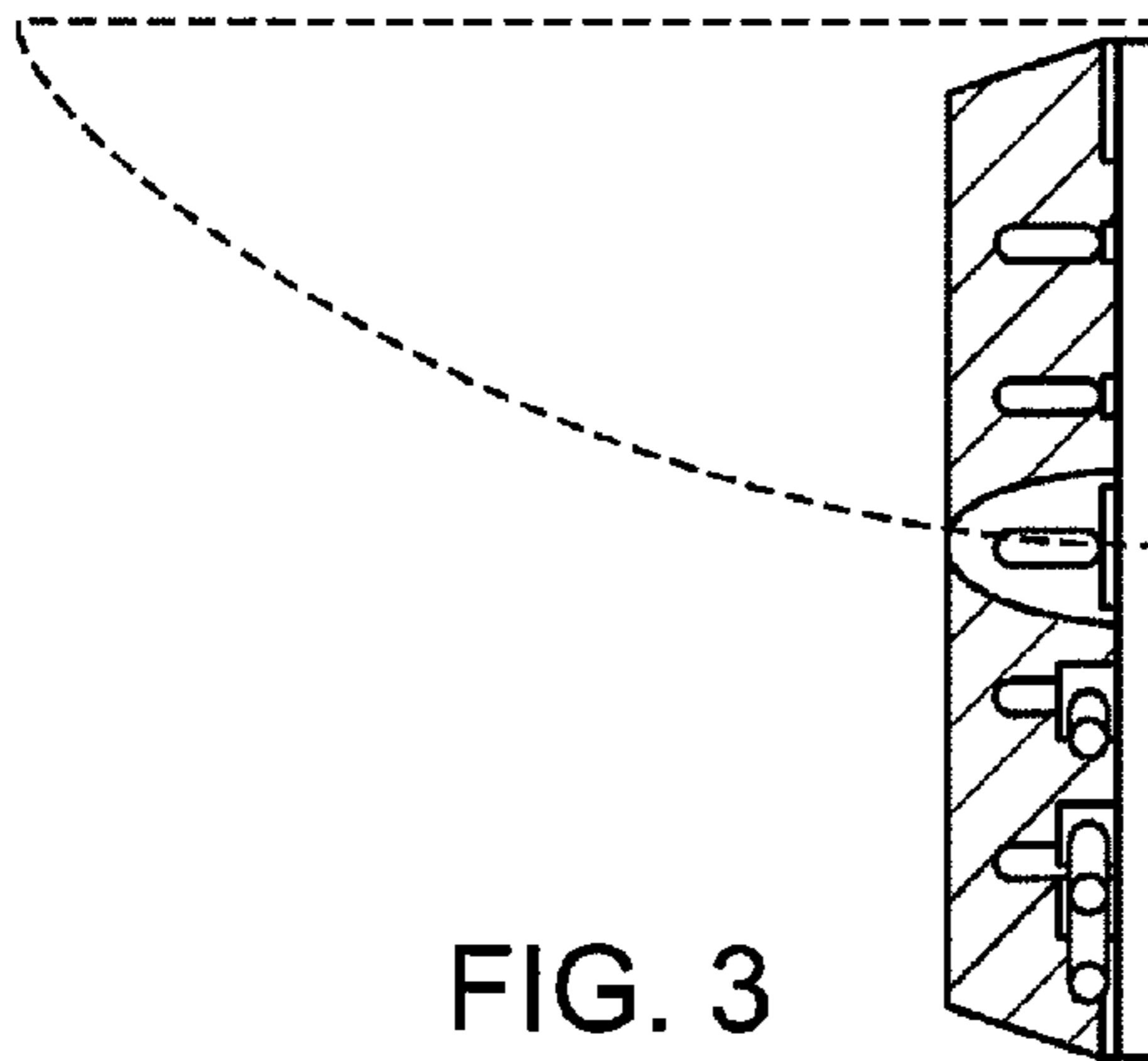


FIG. 3

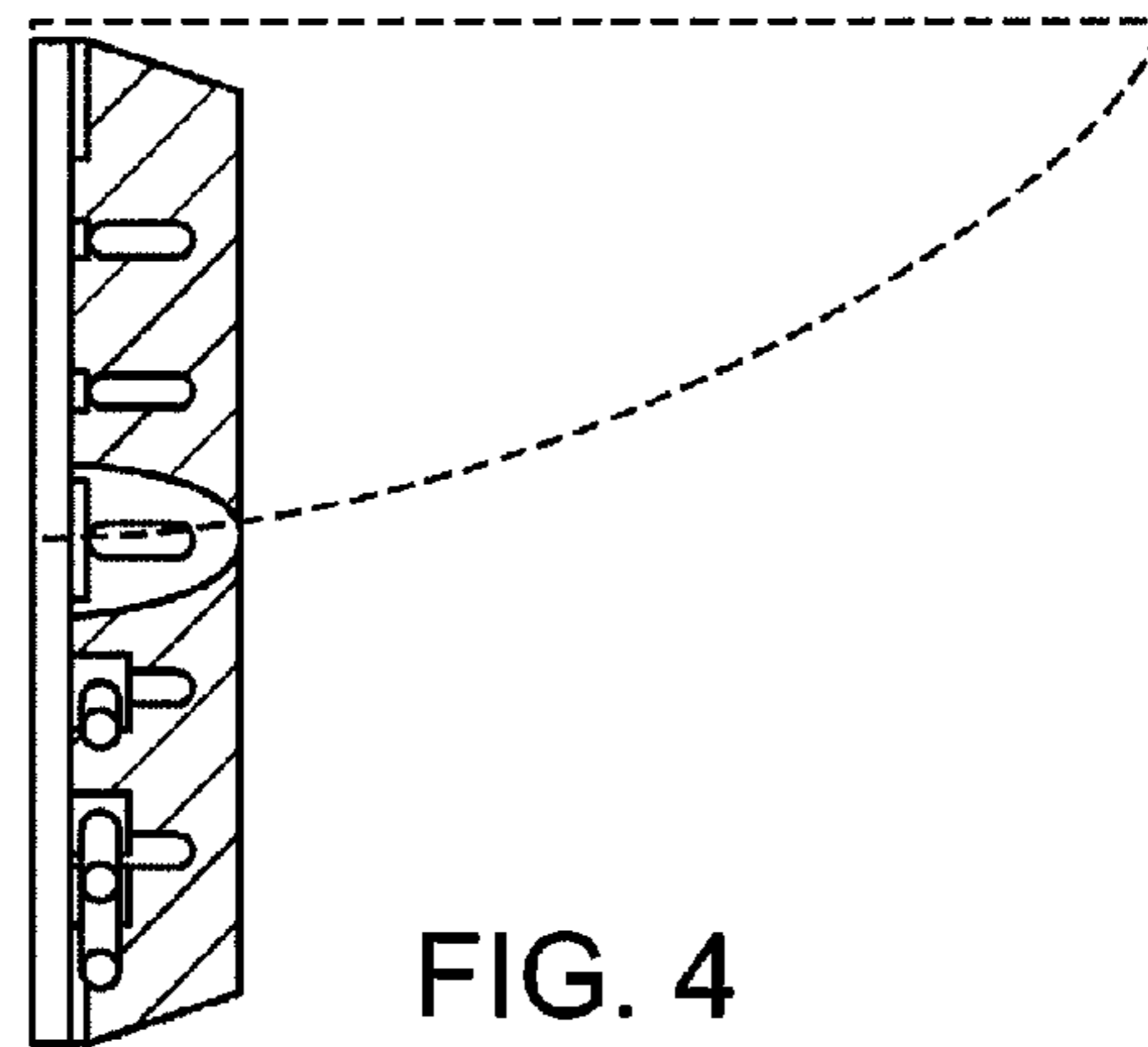


FIG. 4

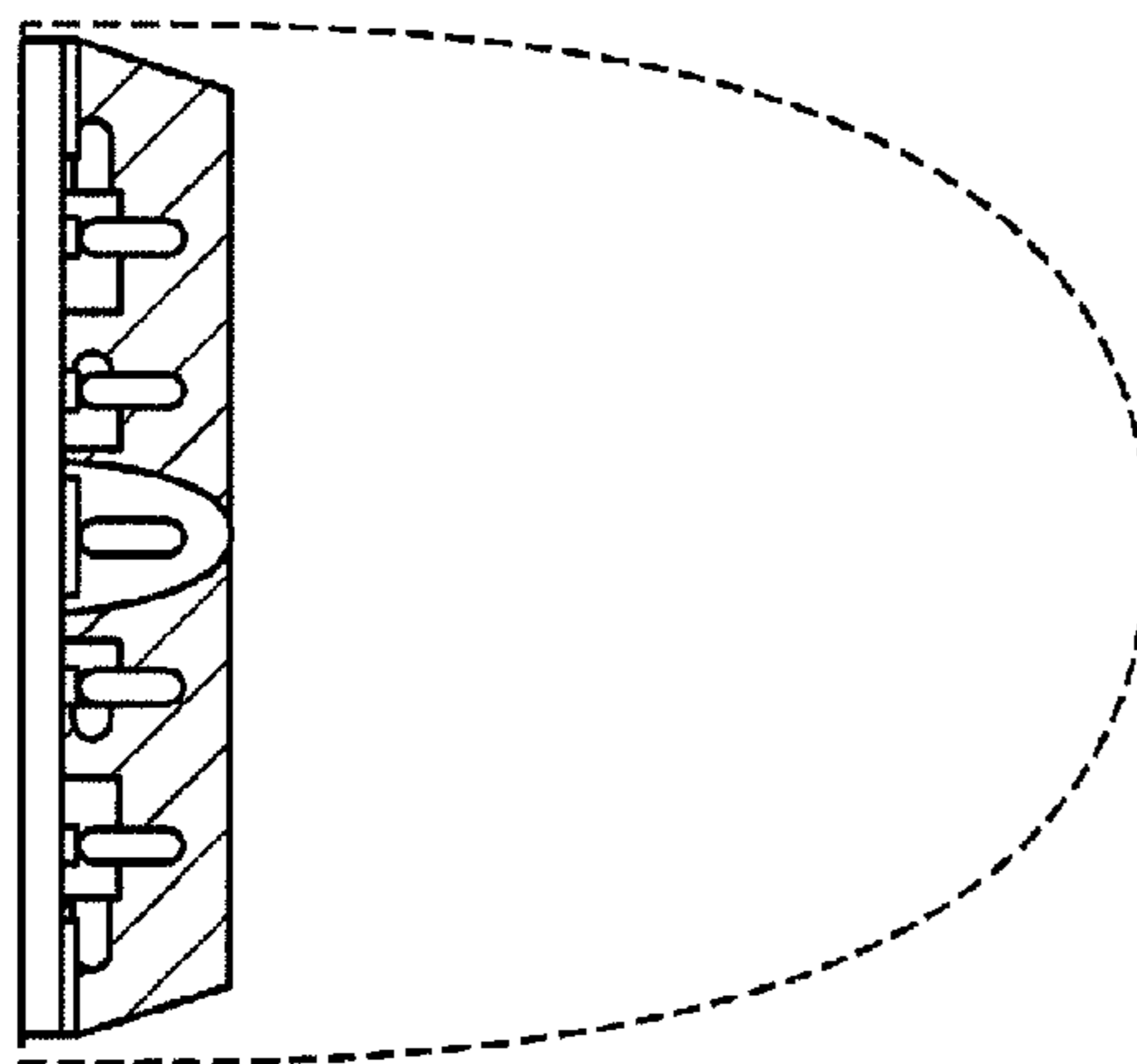


FIG. 5

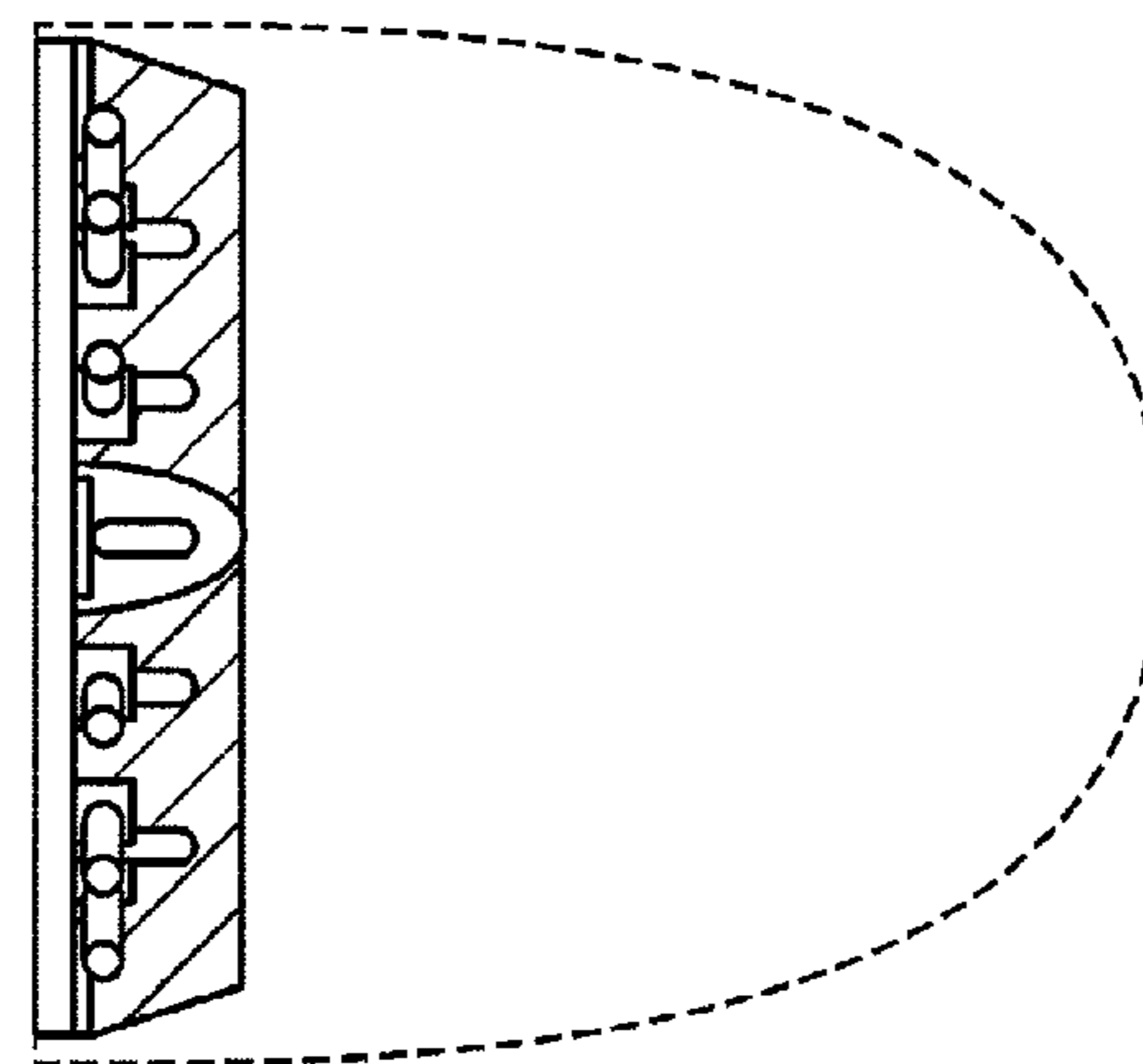


FIG. 6