



US00D651729S

(12) **United States Design Patent**
Arslanian

(10) **Patent No.:** **US D651,729 S**

(45) **Date of Patent:** **** Jan. 3, 2012**

(54) **CANDLE VESSEL**

(75) Inventor: **Raffi Arslanian**, New York, NY (US)

(73) Assignee: **Thompson Ferrier, LLC**

(**) Term: **14 Years**

(21) Appl. No.: **29/376,243**

(22) Filed: **Oct. 4, 2010**

(51) **LOC (9) Cl.** **26-01**

(52) **U.S. Cl.** **D26/9**

(58) **Field of Classification Search** D26/1-23,
D26/114-137; D11/117; 428/7-11; 431/291,
431/311, 320, 298, 288; 362/161-163, 351,
362/369, 392

See application file for complete search history.

(56) **References Cited**

U.S. PATENT DOCUMENTS

2,462,440 A * 2/1949 Tierney 431/292

D605,788 S * 12/2009 Ritzenhoff D26/9
* cited by examiner

Primary Examiner — T. Chase Nelson

Assistant Examiner — Ania Dworzecka

(74) *Attorney, Agent, or Firm* — John F. Vodopia

(57) **CLAIM**

The ornamental design for a candle vessel, as shown and described.

DESCRIPTION

FIG. 1 is a bottom front perspective of the candle vessel showing my new design;

FIG. 2 is a side perspective view of the candle vessel;

FIG. 3 is a front elevation view of the candle vessel;

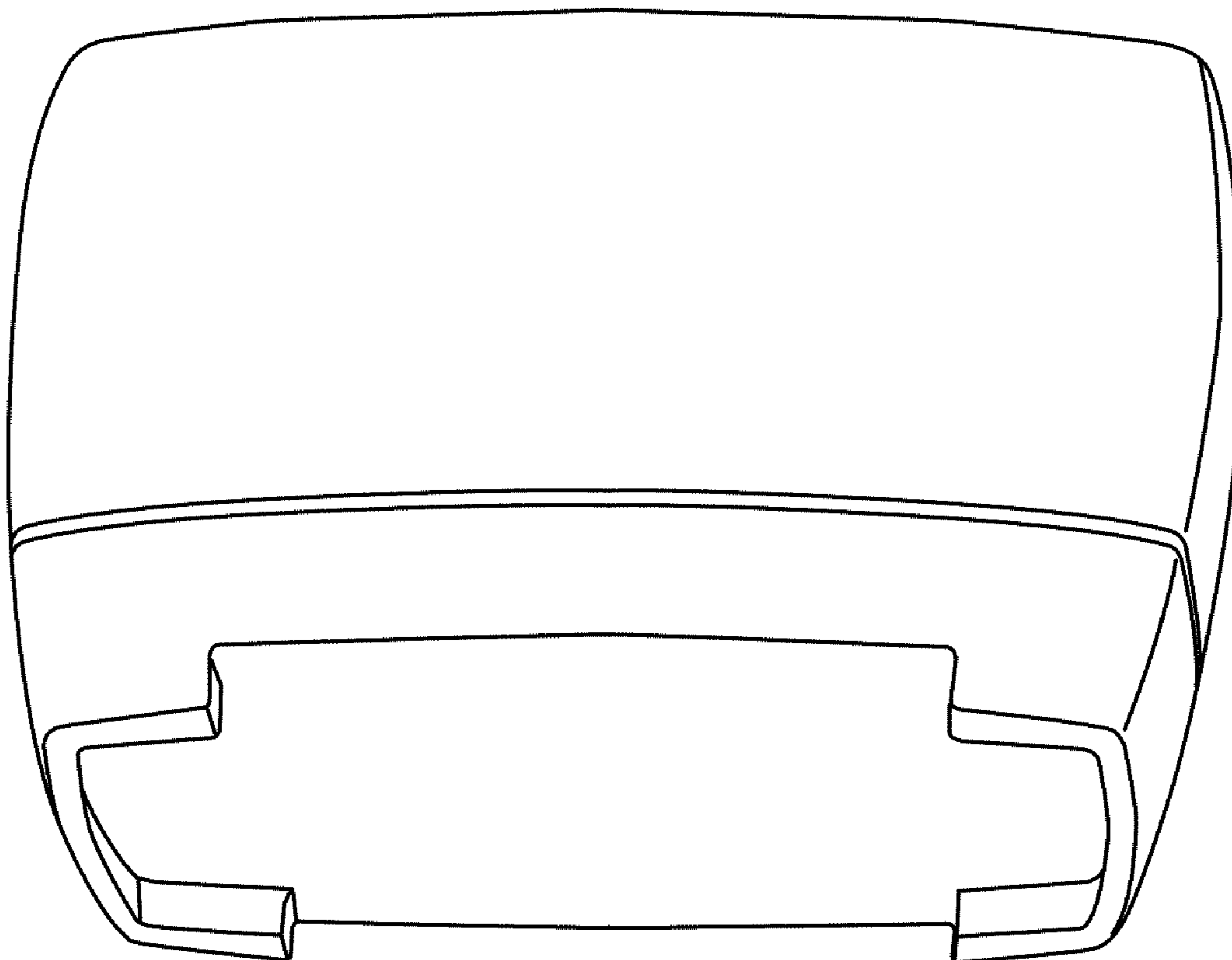
FIG. 4 is a side elevation view of the candle vessel;

FIG. 5 is a top perspective view of the candle vessel;

FIG. 6 is a side perspective view of the candle vessel; and,

FIG. 7 is bottom plan view of the candle vessel.

1 Claim, 7 Drawing Sheets



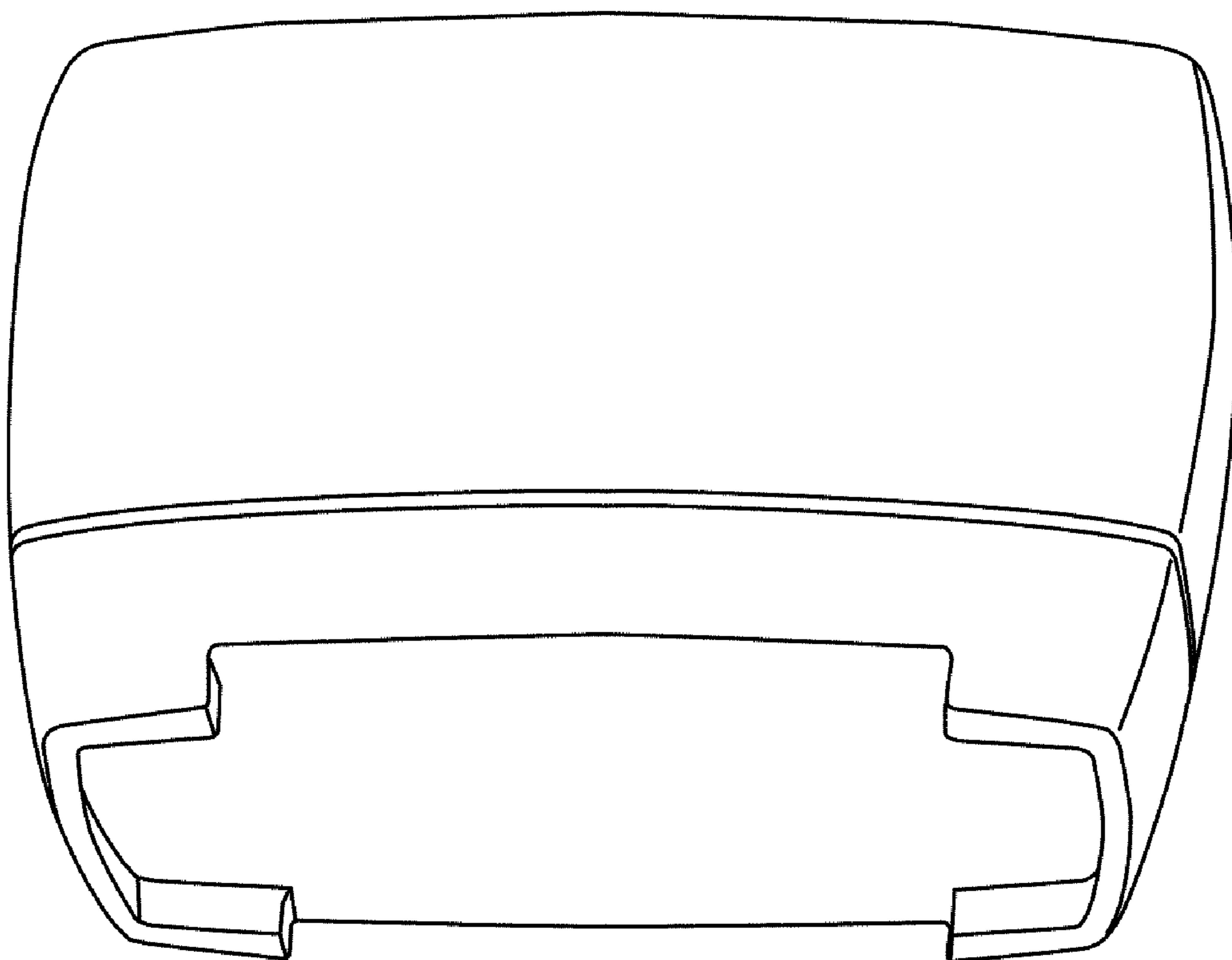


FIG. 1

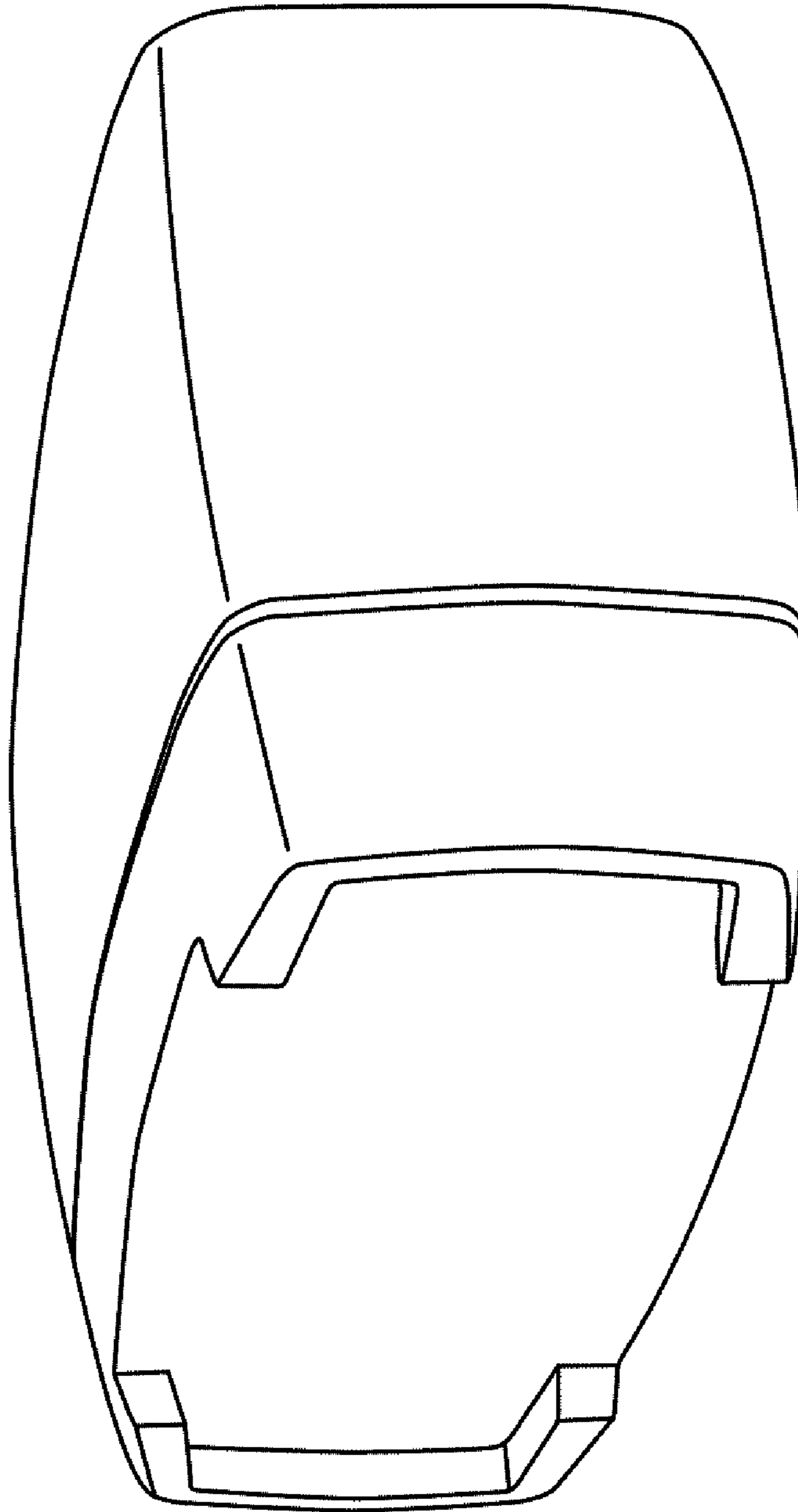


FIG. 2

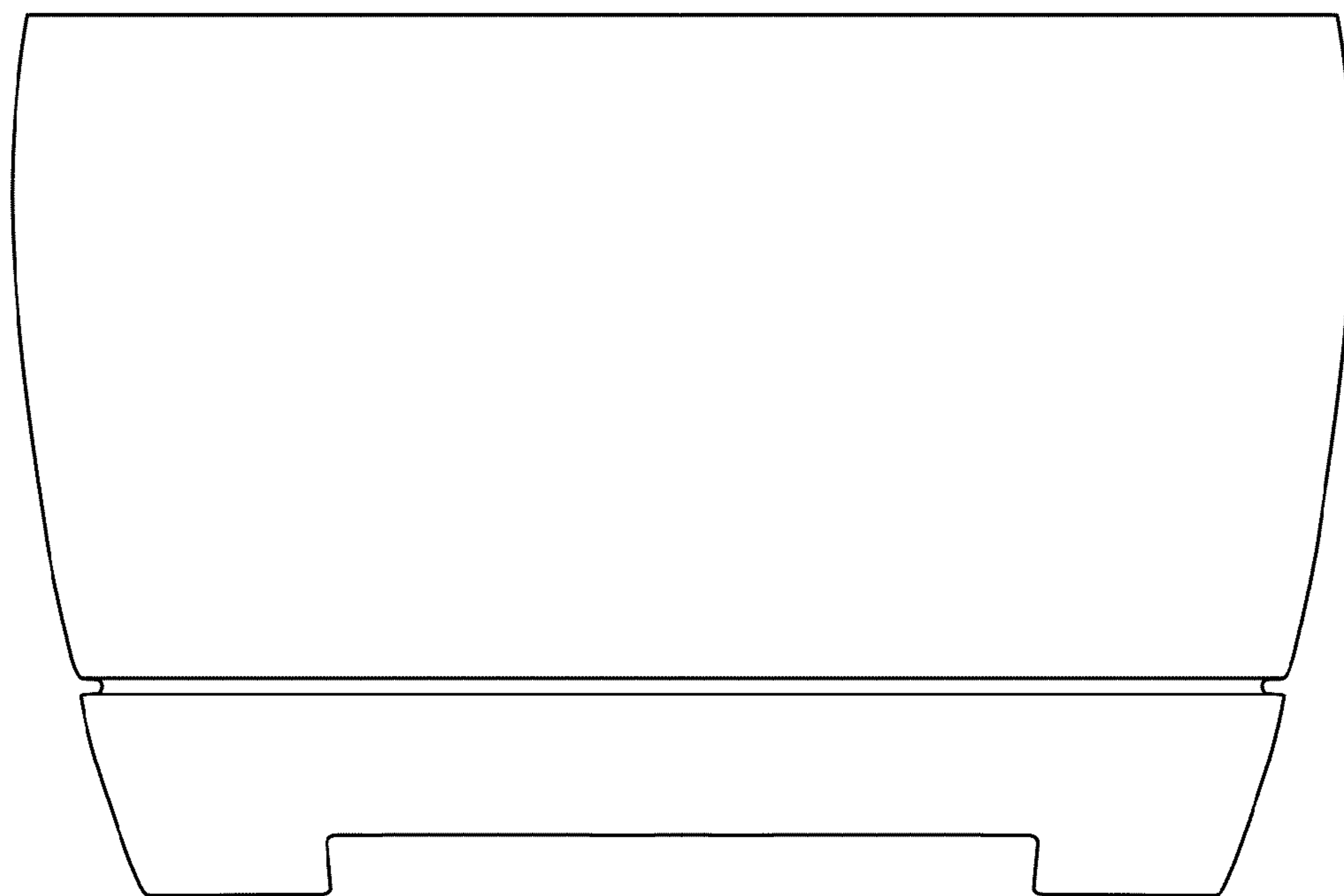


FIG. 3

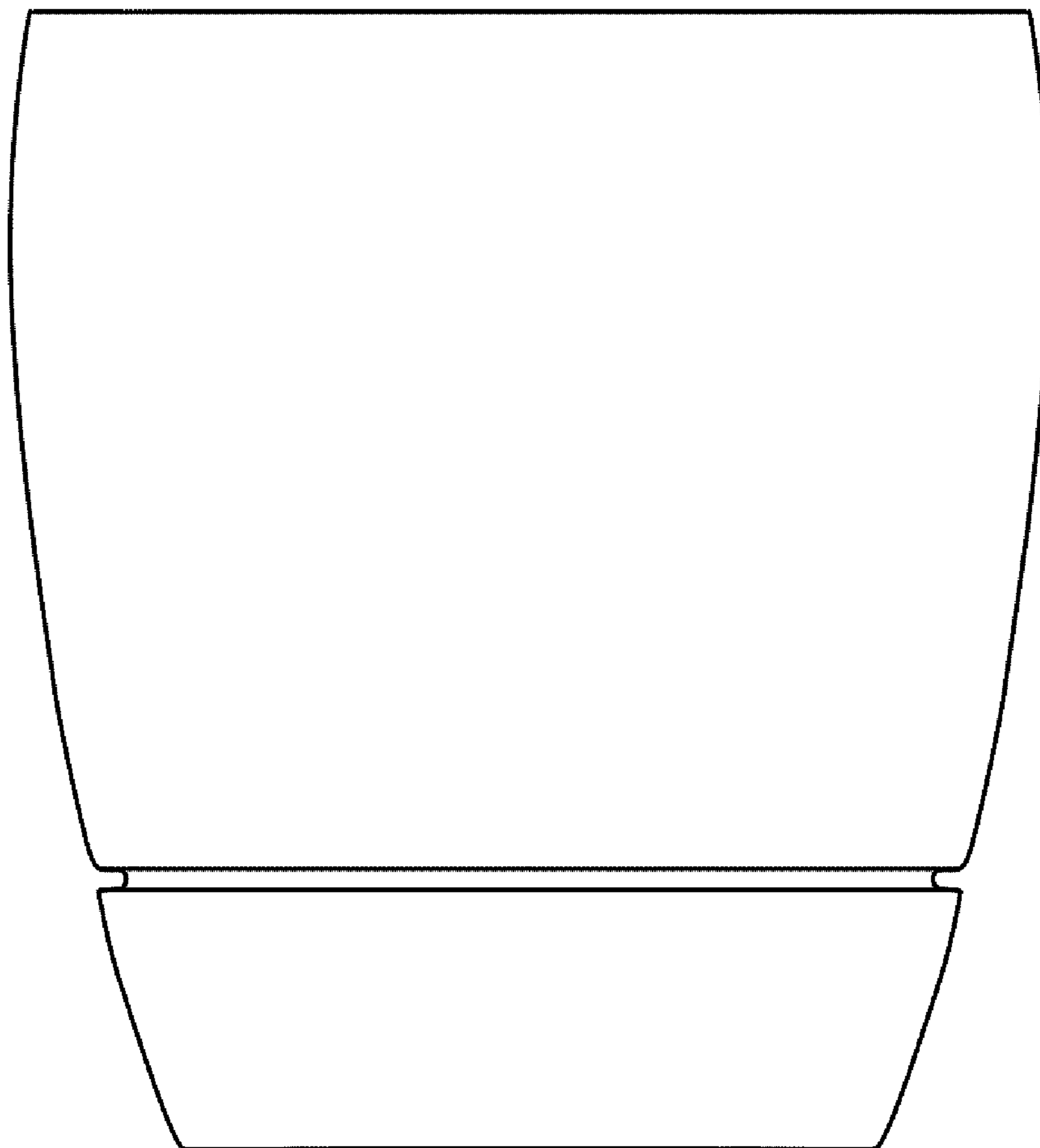


FIG. 4

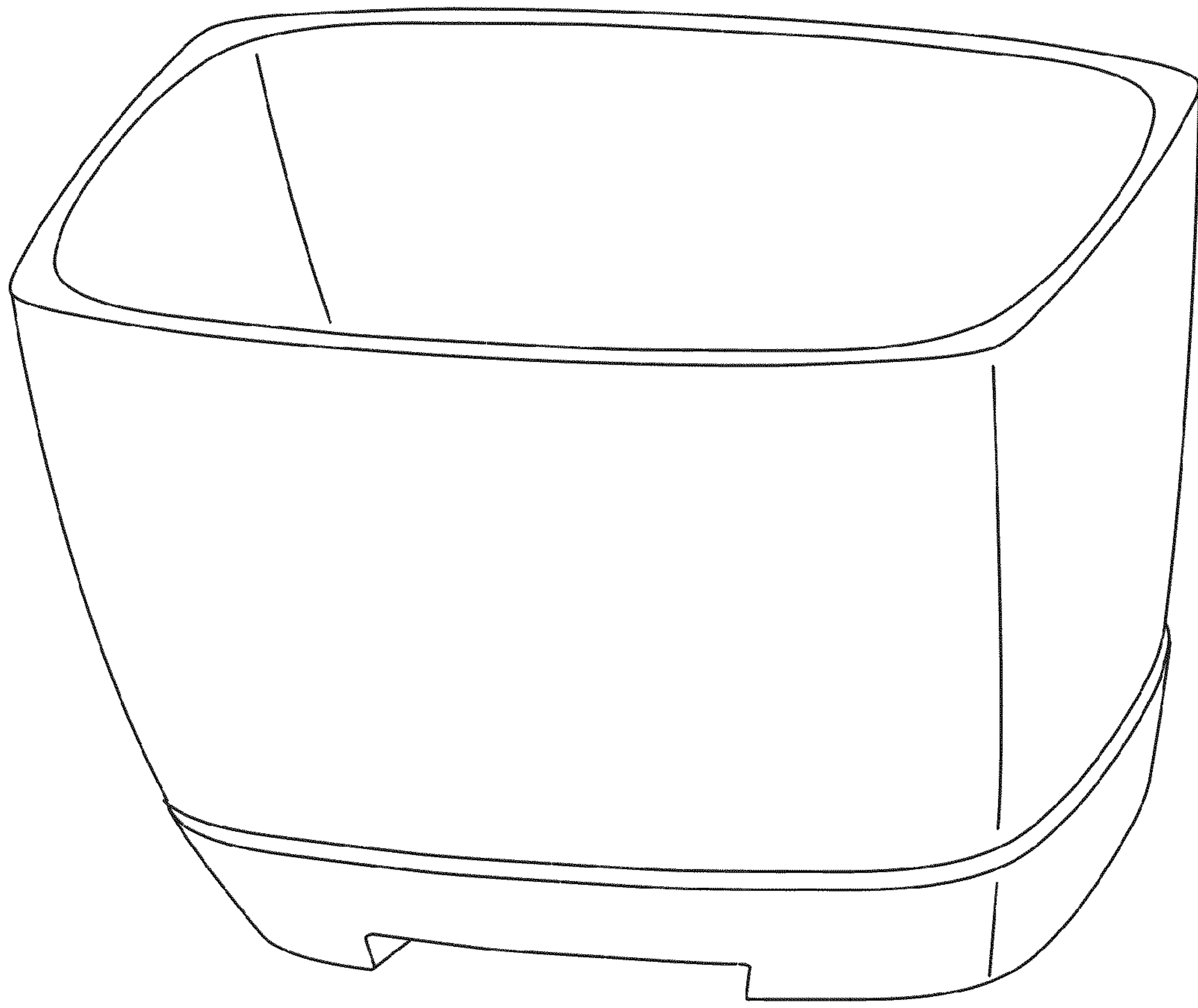


FIG. 5

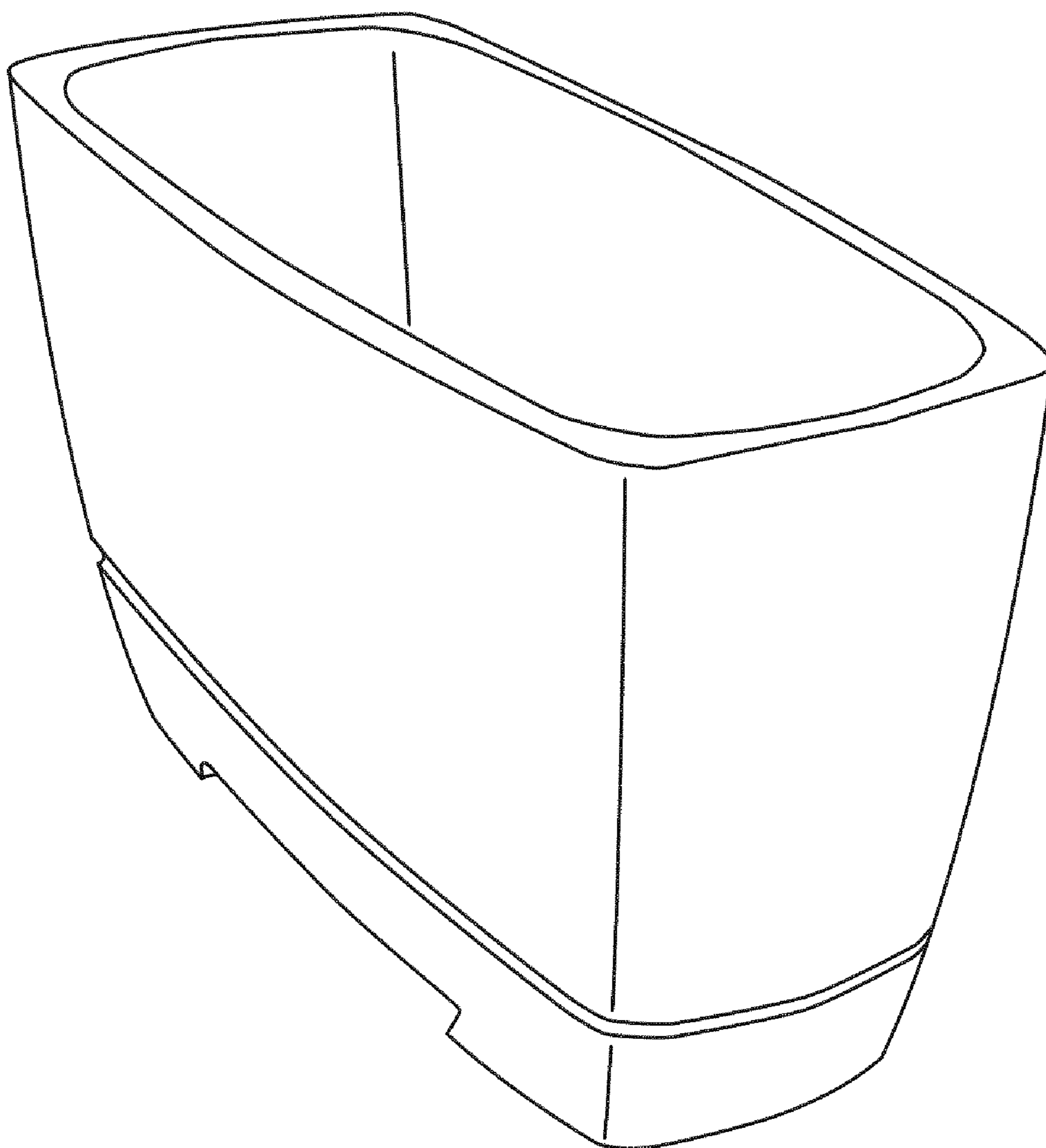


FIG. 6

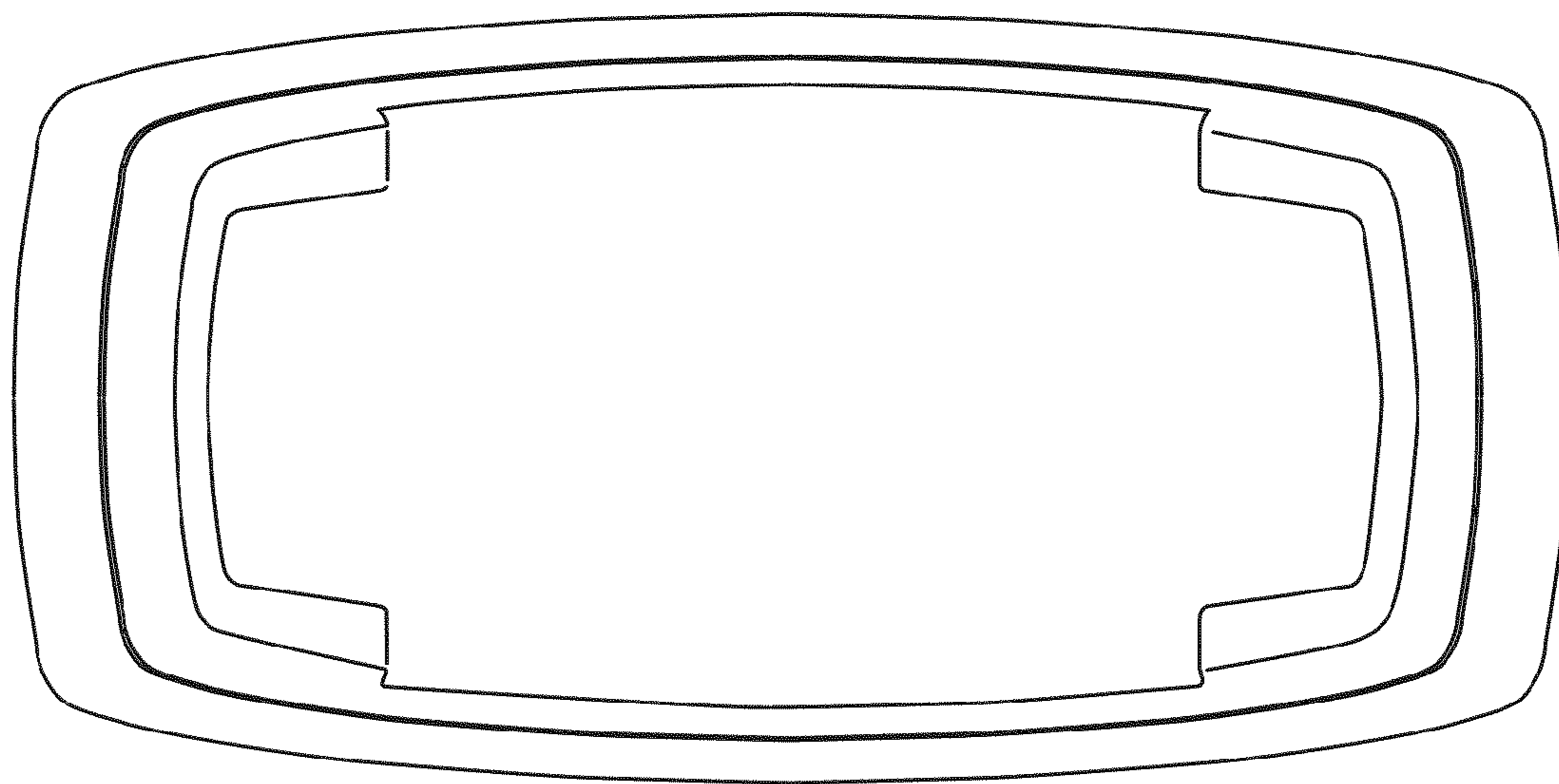


FIG. 7