

US00D651726S

(12) **United States Design Patent**  
**Wickland**

(10) **Patent No.:** **US D651,726 S**

(45) **Date of Patent:** **\*\* Jan. 3, 2012**

(54) **WINDOW COMPONENT EXTRUSION**

(75) **Inventor:** **Timothy Todd Wickland**, Auburn, WA  
(US)

(73) **Assignee:** **Mikron Industries, Inc.**, Kent, WA (US)

(\*\*) **Term:** **14 Years**

(21) **Appl. No.:** **29/370,367**

(22) **Filed:** **Jul. 6, 2010**

(51) **LOC (9) Cl.** ..... **25-01**

(52) **U.S. Cl.** ..... **D25/124**

(58) **Field of Classification Search** ..... D25/124;  
52/204.1, 204.2, 204.5, 204.51, 656.5, 656.6,  
52/213, 215, 208, 206, 212, 717.01, 209,  
52/204.72, 579, 793.1, 794.1, 216; 49/DIG. 2,  
49/504, 501, 449, 180, 183

See application file for complete search history.

(56) **References Cited**

**U.S. PATENT DOCUMENTS**

6,006,478 A \* 12/1999 Hubner et al. .... 52/204.5  
D438,989 S \* 3/2001 Ballard et al. .... D25/124

D495,429 S \* 8/2004 Franson ..... D25/124  
D495,430 S \* 8/2004 Franson ..... D25/124  
D557,822 S \* 12/2007 Willman et al. .... D25/124  
D576,298 S \* 9/2008 Morton et al. .... D25/124  
D576,303 S \* 9/2008 Morton et al. .... D25/124  
2005/0028459 A1 \* 2/2005 Crandell et al. .... 52/204.5  
2006/0026913 A1 \* 2/2006 Turner ..... 52/204.5  
2006/0248820 A1 \* 11/2006 Silverman ..... 52/204.1

\* cited by examiner

*Primary Examiner* — Doris Clark

(74) *Attorney, Agent, or Firm* — David C. Gadd

(57) **CLAIM**

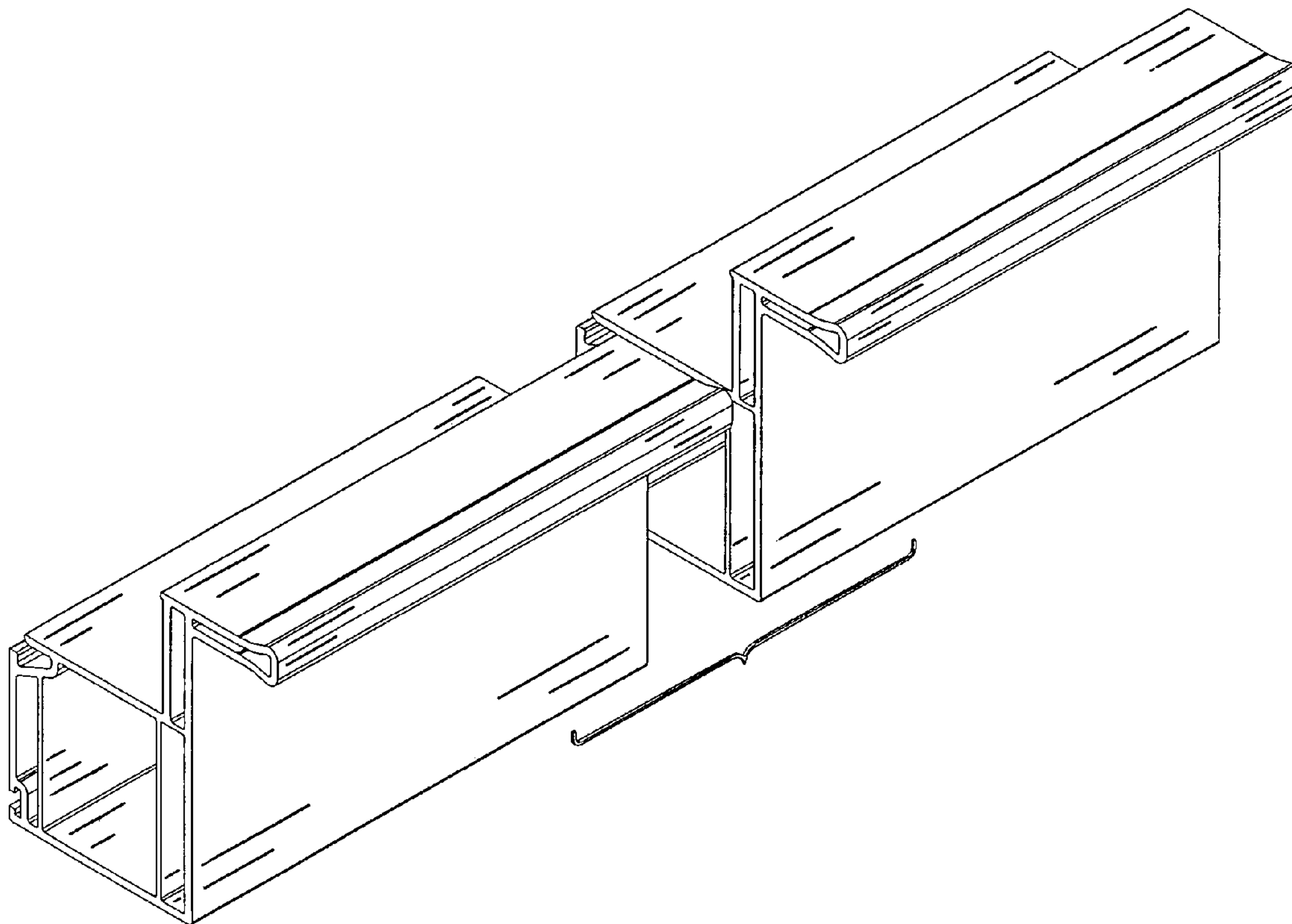
The ornamental design for a window component extrusion, as shown and described.

**DESCRIPTION**

FIG. 1 is a top right perspective view of the window component extrusion which is broken in the center indicating indefinite length; and,

FIG. 2 is a bottom left perspective view of the window component extrusion shown in FIG. 1.

**1 Claim, 1 Drawing Sheet**



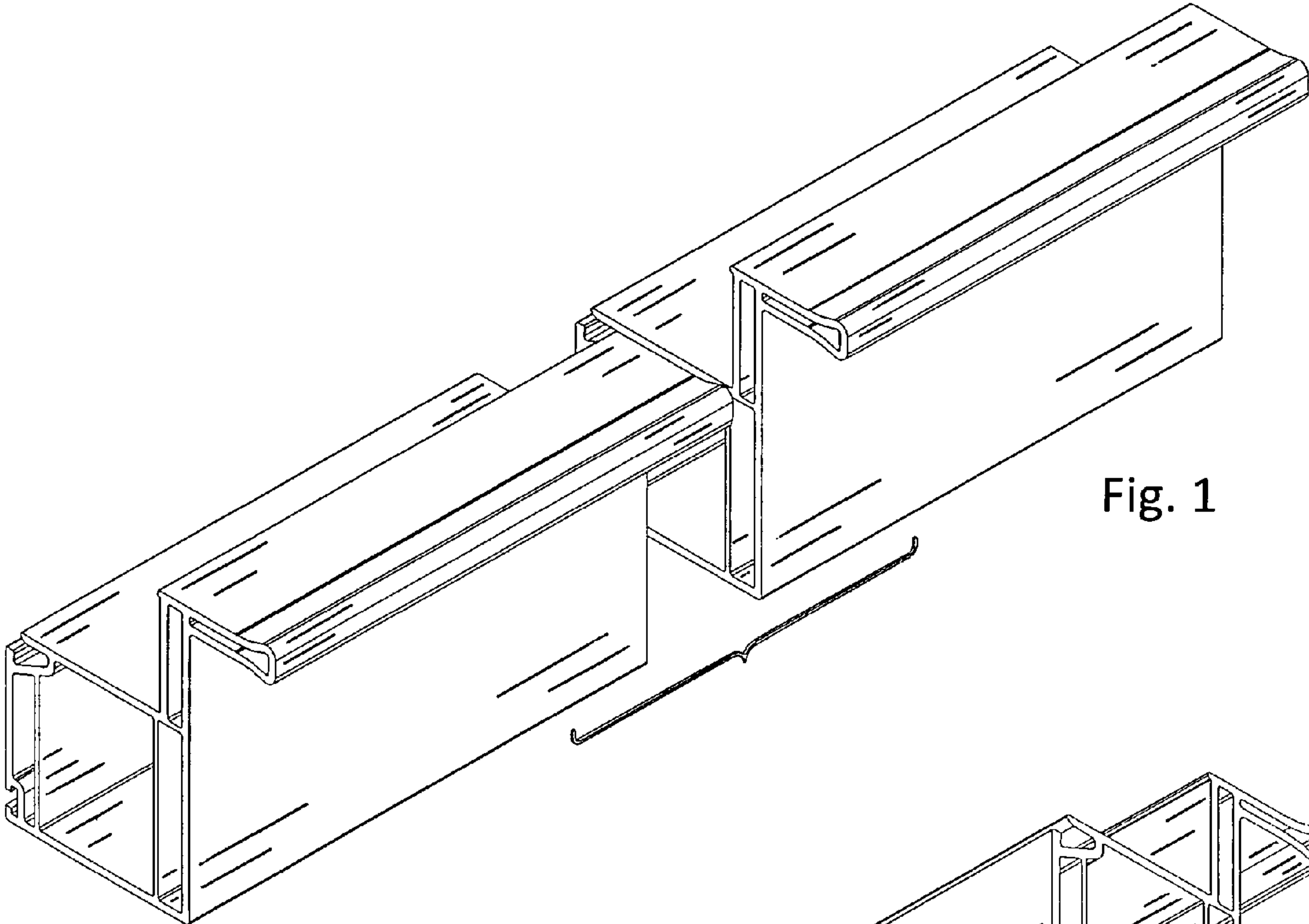


Fig. 1

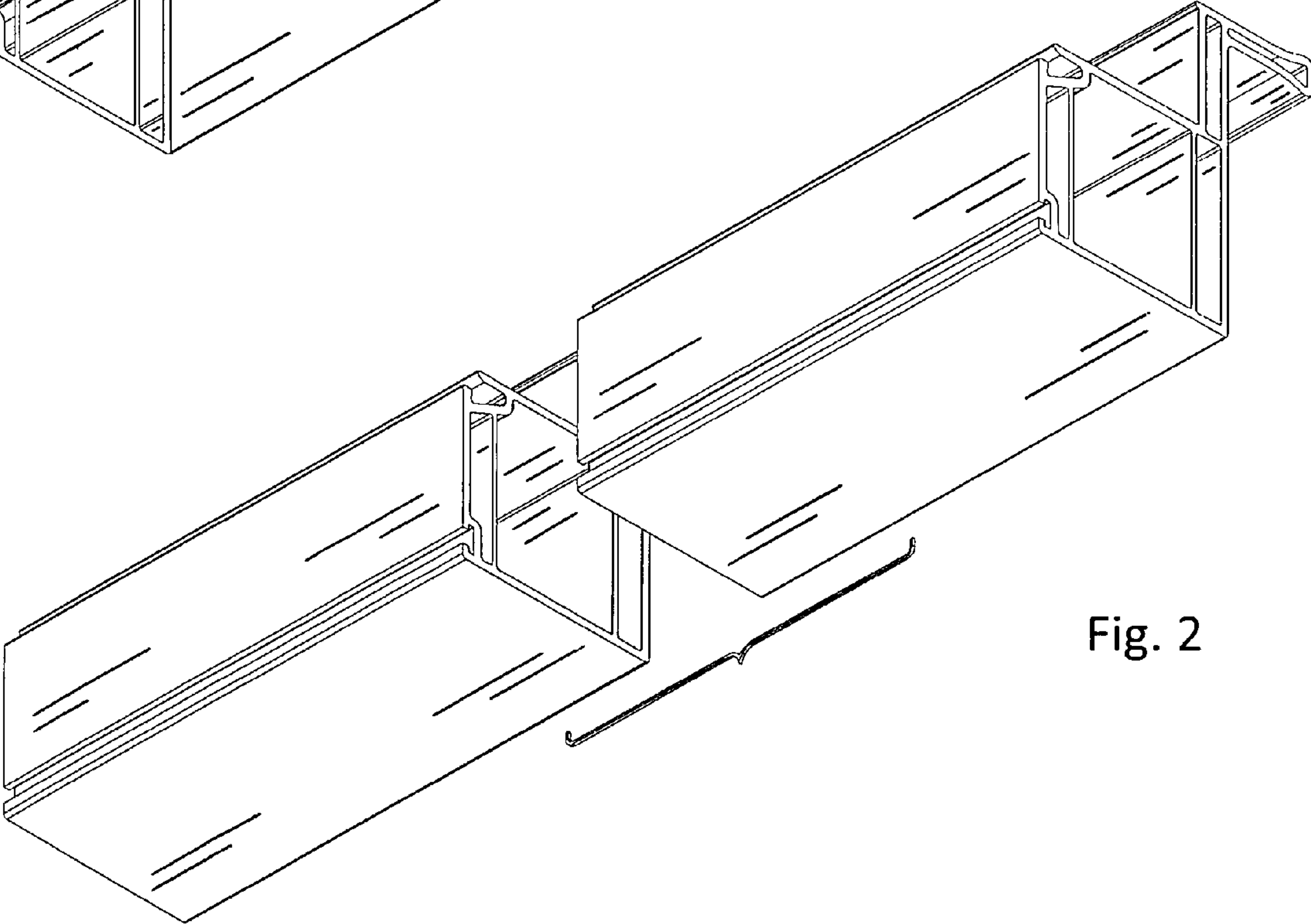


Fig. 2