



US00D651725S

(12) **United States Design Patent**
Wickland

(10) **Patent No.:** **US D651,725 S**

(45) **Date of Patent:** **** Jan. 3, 2012**

(54) **WINDOW COMPONENT EXTRUSION**

(75) Inventor: **Timothy Todd Wickland**, Auburn, WA
(US)

(73) Assignee: **Mikron Industries, Inc.**, Kent, WA (US)

(**) Term: **14 Years**

(21) Appl. No.: **29/370,366**

(22) Filed: **Jul. 6, 2010**

(51) **LOC (9) Cl.** **25-01**

(52) **U.S. Cl.** **D25/124**

(58) **Field of Classification Search** D25/124;
52/204.1, 204.2, 204.5, 204.51, 656.5, 656.6,
52/213, 215, 208, 206, 212, 717.01, 209,
52/204.72, 579, 793.1, 794.1, 216; 49/DIG. 2,
49/504, 501, 449, 180, 183

See application file for complete search history.

(56) **References Cited**

U.S. PATENT DOCUMENTS

6,006,478 A * 12/1999 Hubner et al. 52/204.5
D438,989 S * 3/2001 Ballard et al. D25/124

D495,429 S * 8/2004 Franson D25/124
D495,430 S * 8/2004 Franson D25/124
D557,822 S * 12/2007 Willman D25/124
D576,298 S * 9/2008 Morton et al. D25/124
D576,303 S * 9/2008 Morton et al. D25/124
2005/0028459 A1 * 2/2005 Crandell et al. 52/204.5
2006/0026913 A1 * 2/2006 Turner 52/204.5
2006/0248820 A1 * 11/2006 Silverman 52/204.1

* cited by examiner

Primary Examiner — Doris Clark

(74) *Attorney, Agent, or Firm* — David C. Gadd

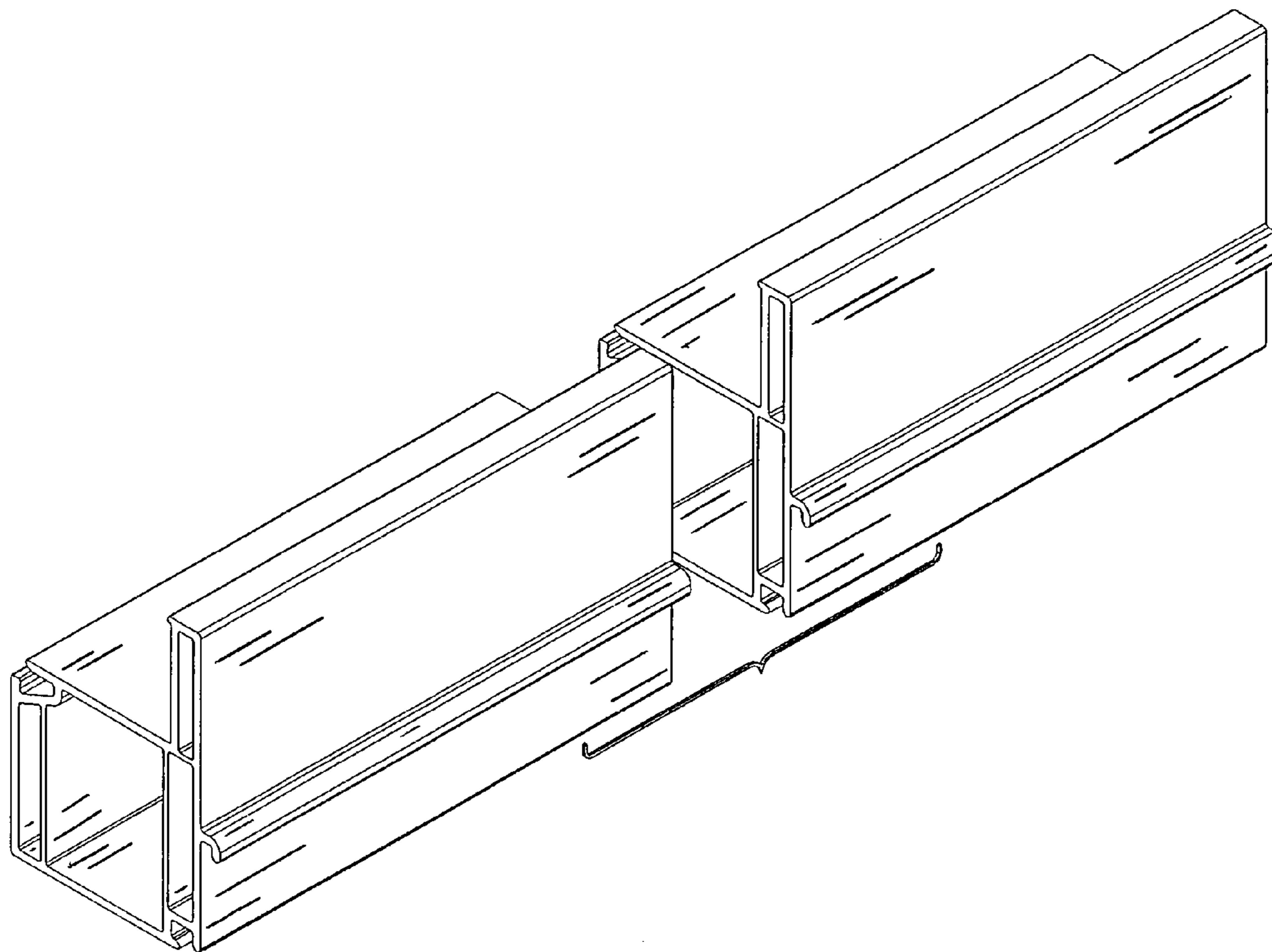
(57) **CLAIM**

The ornamental design for a window component extrusion, as shown and described.

DESCRIPTION

FIG. 1 is a top right perspective view of a first embodiment of the window component extrusion which is broken in the center indicating indefinite length; and, FIG. 2 is a bottom left perspective view of the window component extrusion shown in FIG. 1.

1 Claim, 1 Drawing Sheet



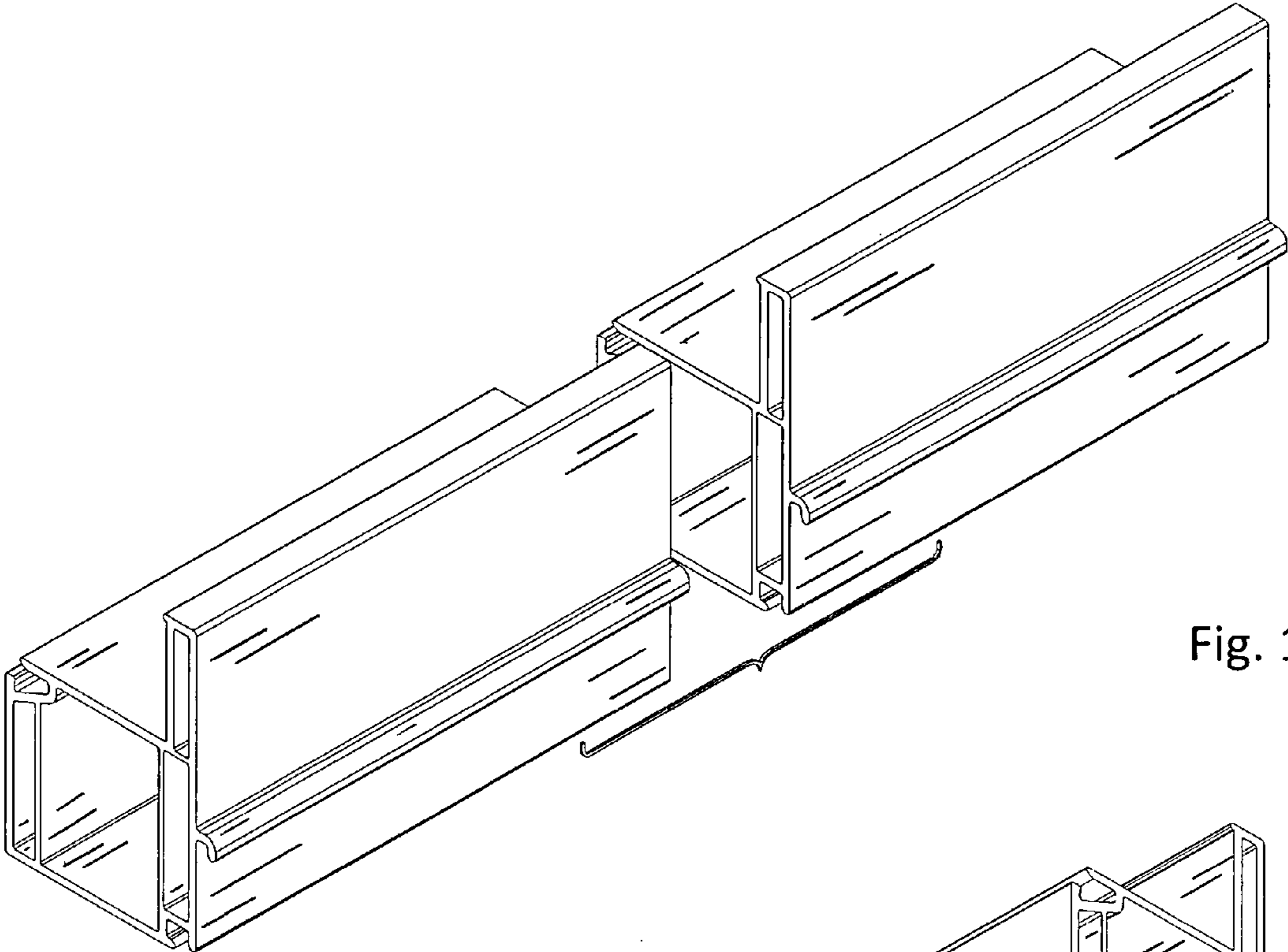


Fig. 1

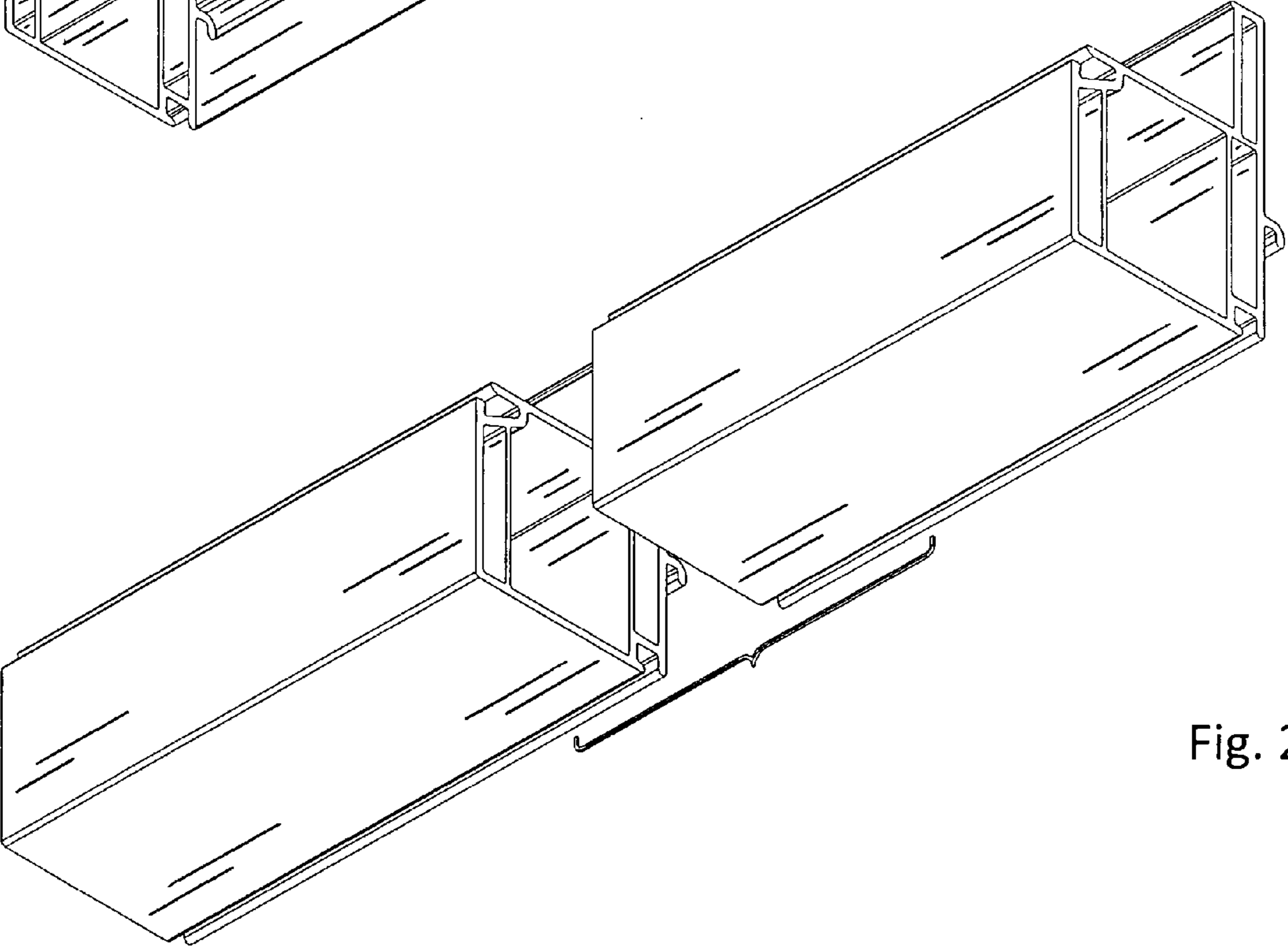


Fig. 2