



US00D651721S

(12) **United States Design Patent**
Richmond

(10) **Patent No.:** **US D651,721 S**
(45) **Date of Patent:** **** Jan. 3, 2012**

(54) **NARROW LOWER FENCE RAIL RESTRAINER**

Primary Examiner — Doris Clark
(74) *Attorney, Agent, or Firm* — Keisling & Pieper PLC;
David B. Pieper

(76) Inventor: **Todd Richmond**, Muldrow, AR (US)

(**) Term: **14 Years**

(21) Appl. No.: **29/348,553**

(22) Filed: **Jan. 15, 2010**

(51) **LOC (9) Cl.** **25-02**

(52) **U.S. Cl.** **D25/42**

(58) **Field of Classification Search** D25/38,
D25/42, 45, 24; 52/147, 152; 47/32.7; 256/1,
256/2, 34, 65.14

See application file for complete search history.

(56) **References Cited**

U.S. PATENT DOCUMENTS

1,764,284 A	6/1930	Barton	
4,301,996 A	11/1981	Holyoak 256/1
5,961,101 A *	10/1999	Anticole 256/24
6,173,945 B1 *	1/2001	Lindsey et al. 256/24
D486,584 S *	2/2004	Cantley et al. D25/42
7,216,854 B2	5/2007	Bryan 256/25
7,562,453 B1	7/2009	Benner et al. 29/897.31

* cited by examiner

(57) **CLAIM**

The ornamental design for a narrow lower fence rail restrainer, as shown and described.

DESCRIPTION

FIG. 1 is a top view of a narrow lower fence rail restrainer showing my new design;
FIG. 2 is a left side view thereof;
FIG. 3 is a front view thereof;
FIG. 4 is a right side view thereof; and,
FIG. 5 is a bottom view thereof;
FIG. 6 is a back view thereof; and,
FIG. 7 is an isometric view thereof.
FIG. 8 is an environmental view thereof restraining a chain link fence to the ground. The chain link fence and ground shown in dashed lines are for illustrative purposes only and do not form part of the claimed design.

1 Claim, 3 Drawing Sheets

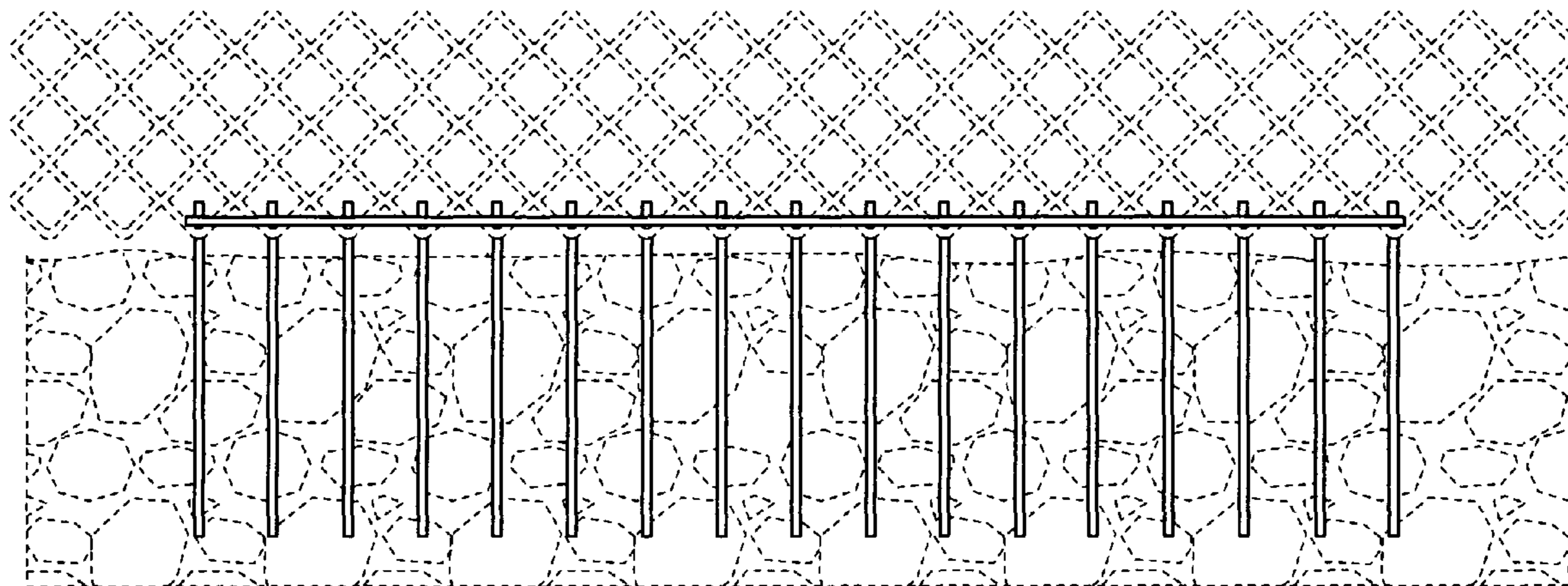




FIG. 1

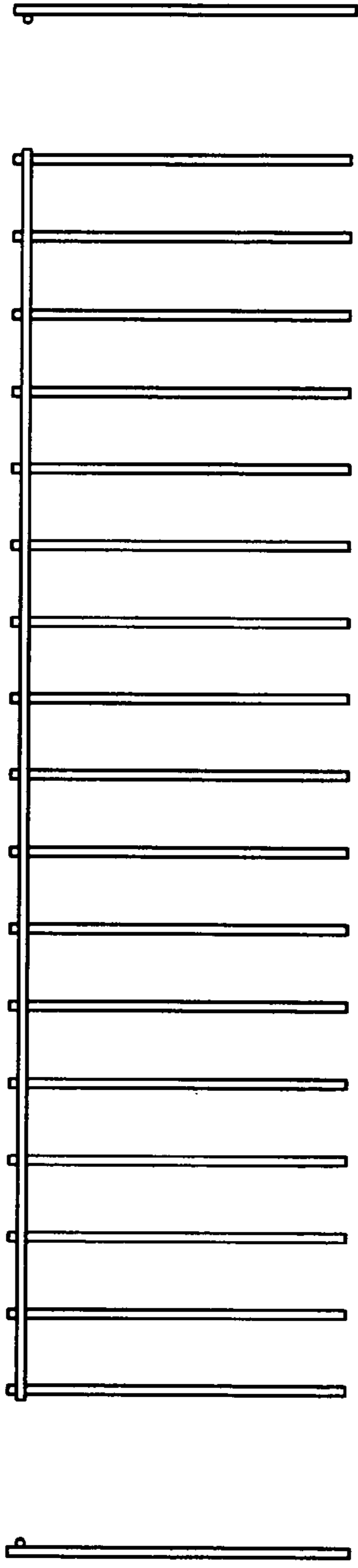


FIG. 2

FIG. 3

FIG. 4

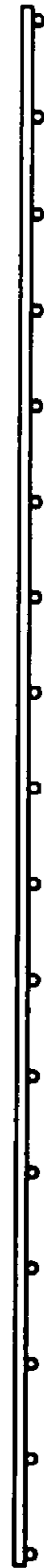


FIG. 5

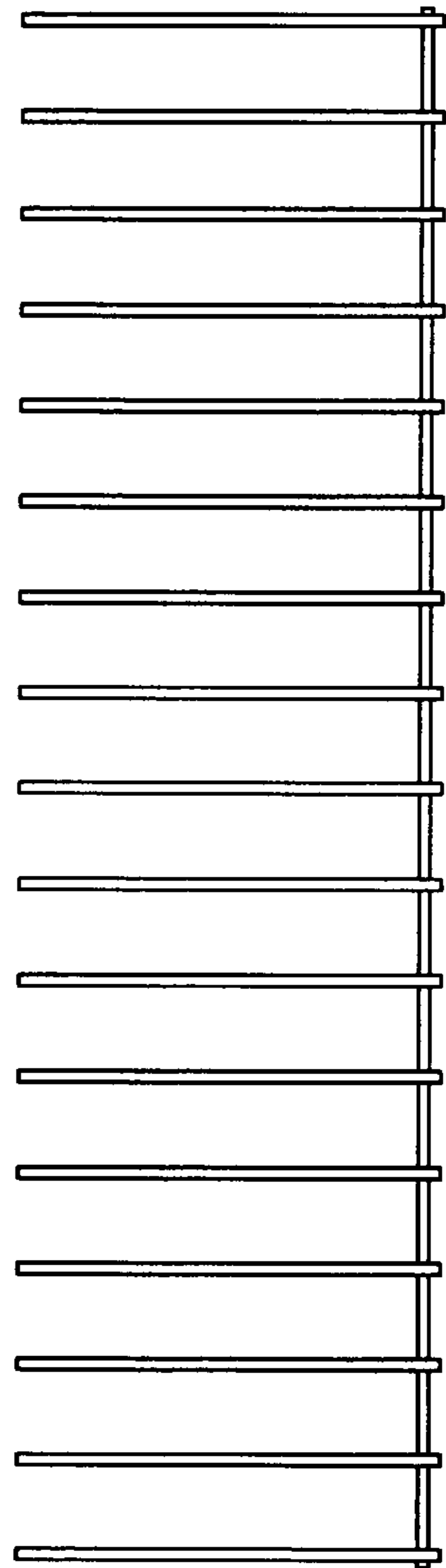


FIG. 6

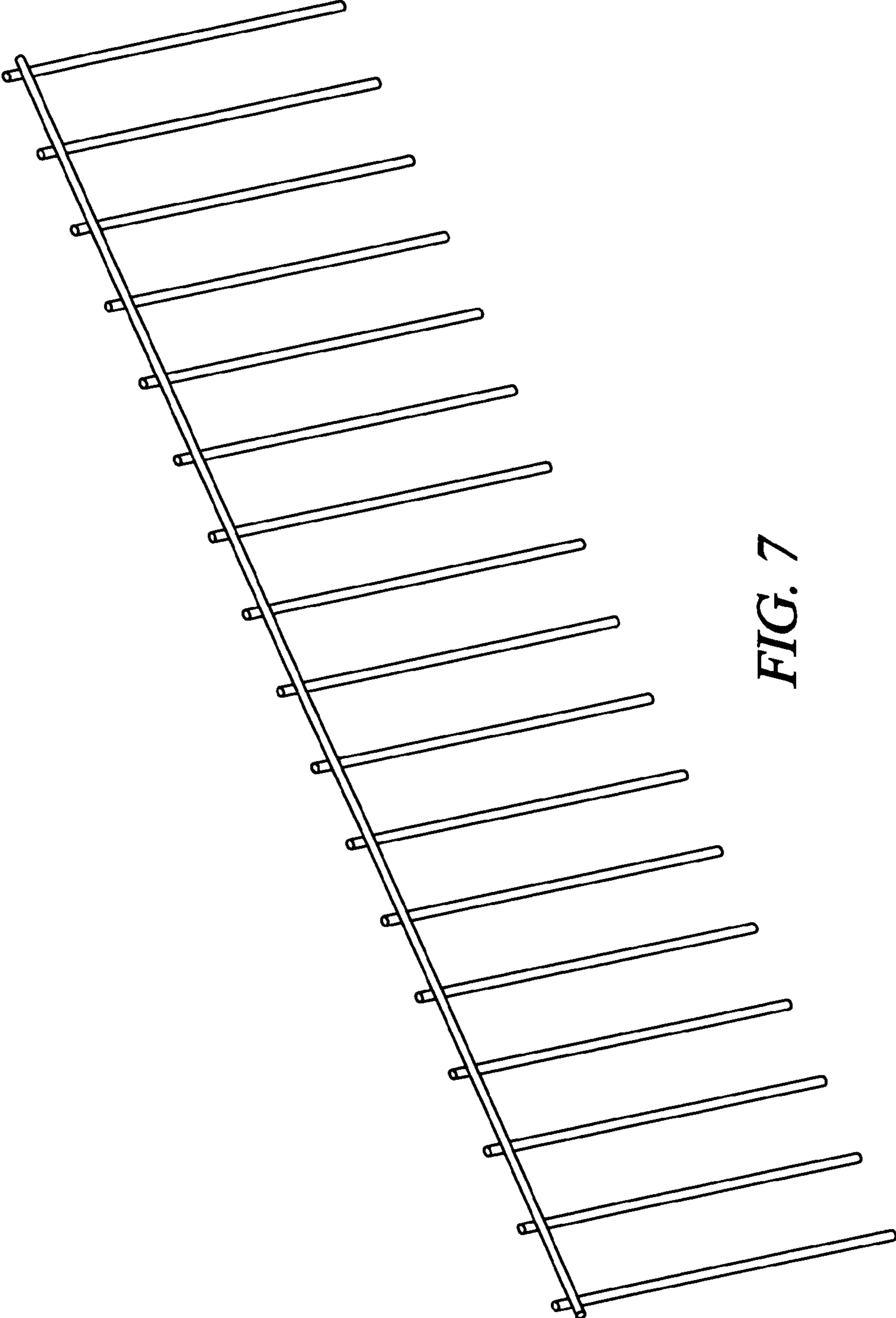


FIG. 7

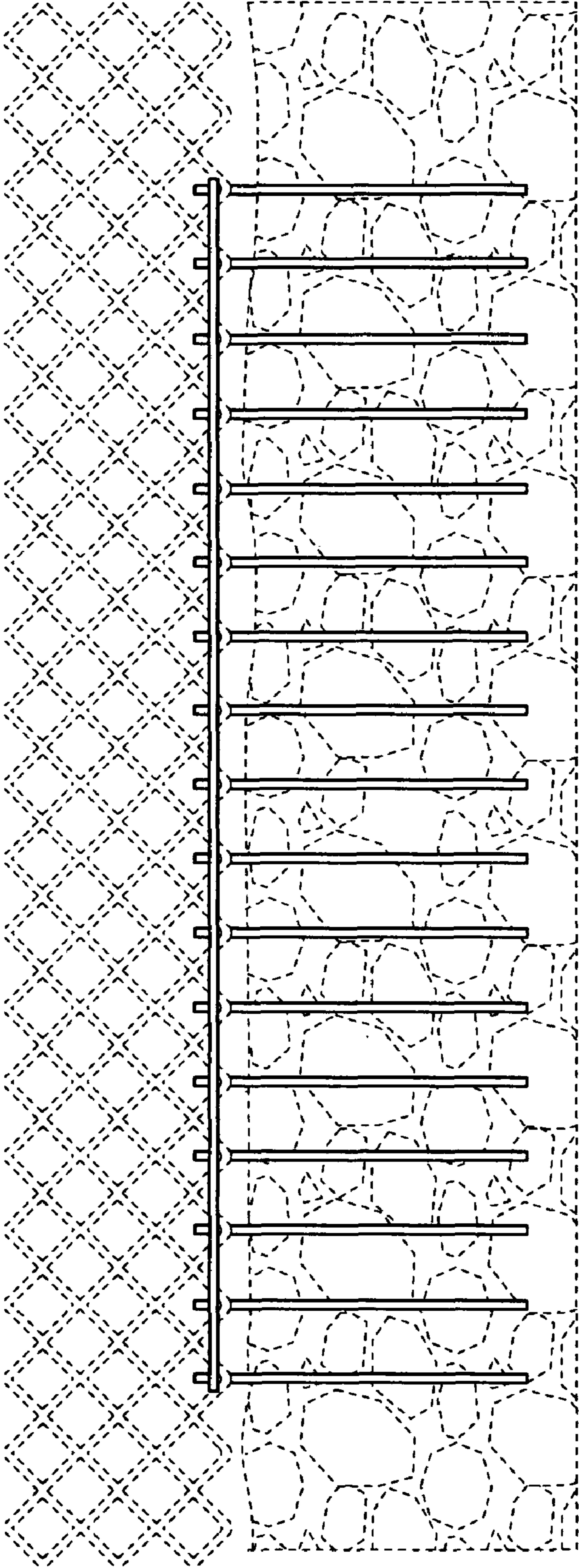


FIG. 8